



US00D914442S

(12) **United States Design Patent**
D' Andrea

(10) **Patent No.:** **US D914,442 S**

(45) **Date of Patent:** **** Mar. 30, 2021**

- (54) **CHILD'S UTENSIL HANDLE**
- (71) Applicant: **Kristyn D' Andrea**, Staten Island, NY (US)
- (72) Inventor: **Kristyn D' Andrea**, Staten Island, NY (US)
- (**) Term: **15 Years**
- (21) Appl. No.: **29/720,559**
- (22) Filed: **Jan. 14, 2020**
- (51) **LOC (13) Cl.** **07-03**
- (52) **U.S. Cl.**
USPC **D7/401.2; D7/653**
- (58) **Field of Classification Search**
USPC D4/101, 104; D7/368, 393, 401.2, D7/642-650, 653-664, 669, 675-677, D7/683, 688-689, 691; D8/107, D8/300-301; D22/117-118
CPC ... A01D 9/02; A01D 9/04; A01D 9/06; A47G 21/00; A47G 21/004; A47G 21/005; A47G 21/02; A47G 21/023; A47G 21/04; A47G 21/06; A47G 21/08; A47J 43/28; A47J 43/281; A47J 43/282; A61F 13/10; A61J 7/0023; B25G 1/00; B25G 1/01; B25G 1/02; B25G 3/00; B65D 75/56; B65D 75/563; B65D 75/566; B67B 7/00; B67B 7/724; B67B 7/73; G16H 20/30
See application file for complete search history.

5,075,970	A	12/1991	Albert	
6,461,164	B1	10/2002	Ramelli	
D619,414	S *	7/2010	Williams D7/401.2
D658,017	S	4/2012	Roberts	
8,387,263	B1 *	3/2013	Roberts A47G 21/04 30/324
D690,993	S *	10/2013	Im D7/401.2
8,769,832	B1	7/2014	Joyner	
D743,753	S *	11/2015	James D7/645
D760,538	S *	7/2016	Dodd D7/401.2
D807,693	S *	1/2018	Obmaces D7/393
D865,367	S *	11/2019	Courtney D4/104
D897,787	S *	10/2020	Ferrell D7/644
D901,897	S *	11/2020	Courtney D4/101
2010/0212115	A1	8/2010	Armstrong	
2011/0214300	A1	9/2011	Matari	
2014/0310961	A1	10/2014	James	
2015/0310763	A1 *	10/2015	Miller G16H 20/30 434/260

* cited by examiner

Primary Examiner — Ricky Pham

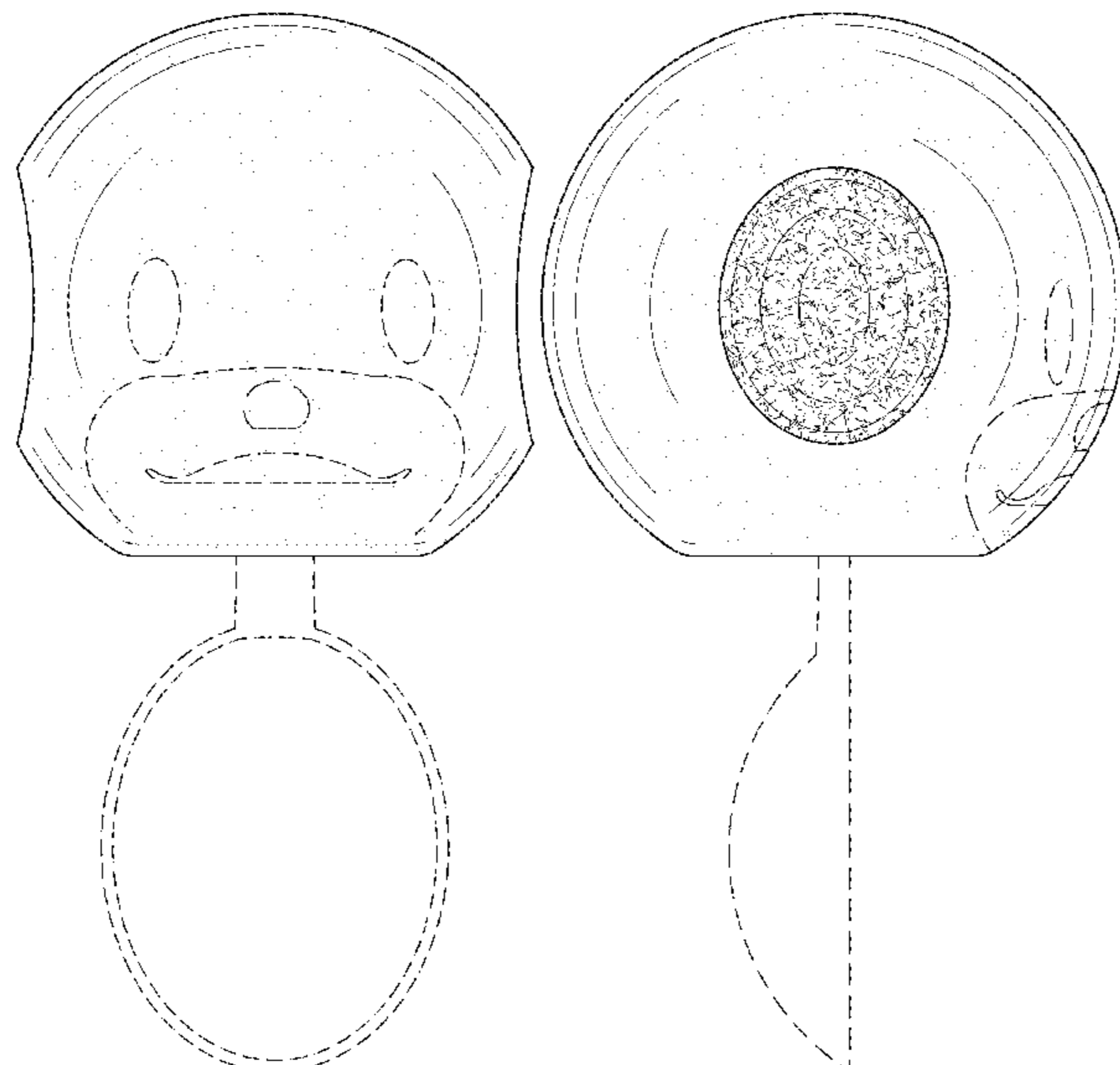
(57) **CLAIM**

The ornamental design for a child's utensil handle, as shown and described.

DESCRIPTION

FIG. 1 is a front view of a child's utensil handle showing my new design;
 FIG. 2 is a rear view of the child's utensil handle;
 FIG. 3 is a left side view of the child's utensil handle, a right side view being a mirror image thereof;
 FIG. 4 is a top view of the child's utensil handle; and
 FIG. 5 is a bottom view of the child's utensil handle; and,
 FIG. 6 is a cross-sectional view of the child's utensil handle along line 6-6 of FIG. 4.
 The broken lines are illustrative of environmental structure or portions of the article such that all broken lines form no part of the claimed design.

1 Claim, 5 Drawing Sheets



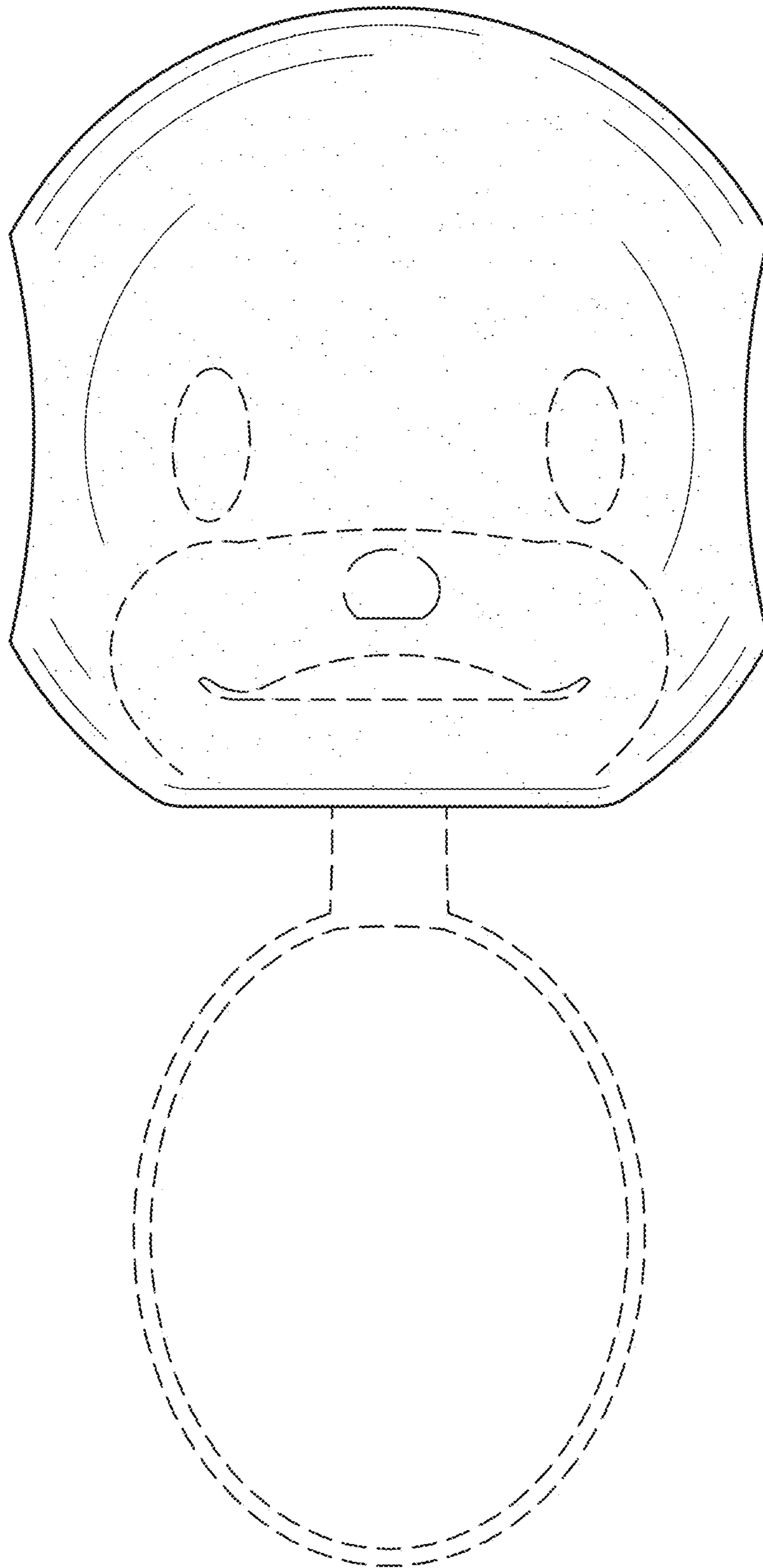


FIG. 1

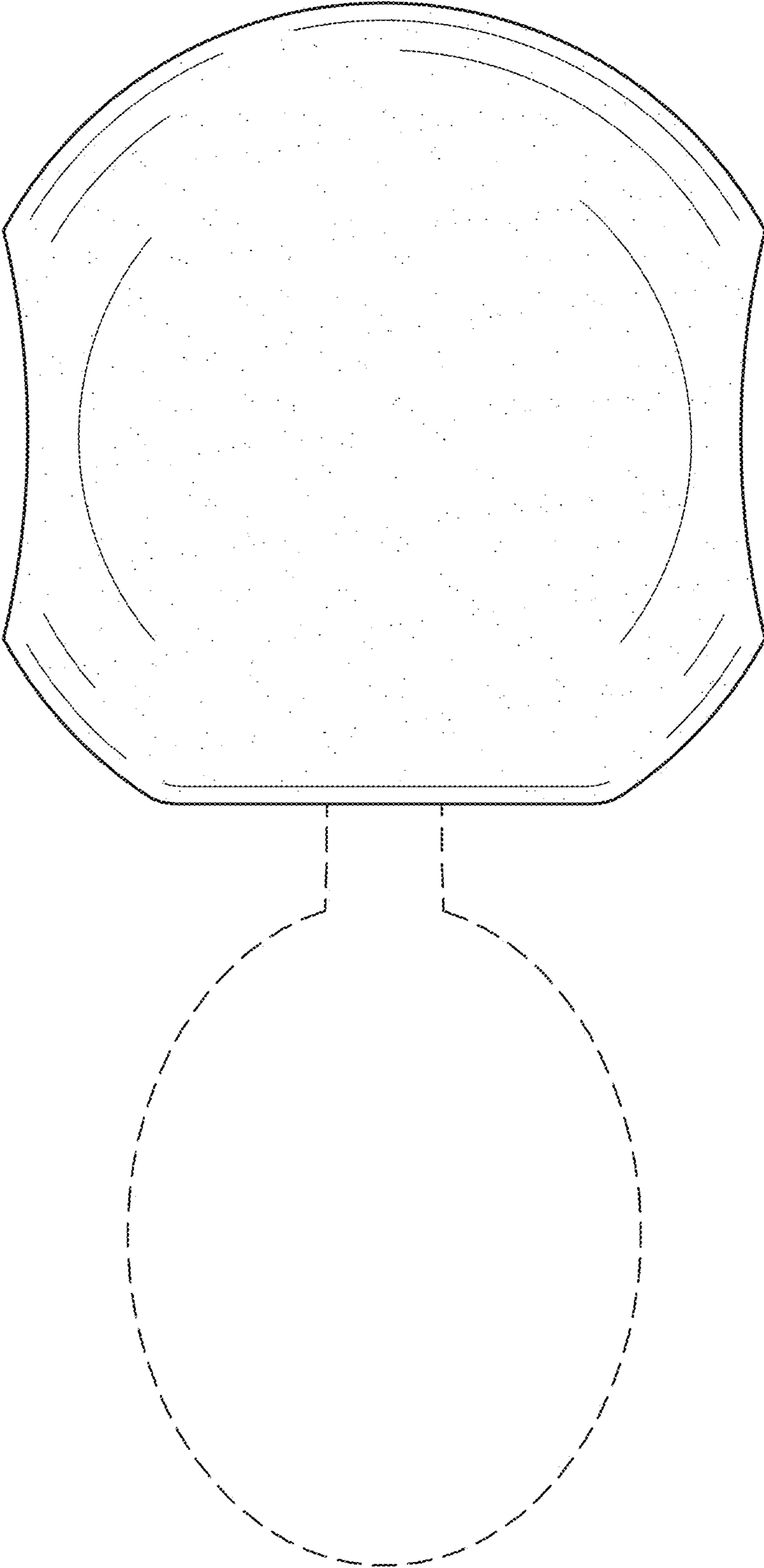


FIG. 2

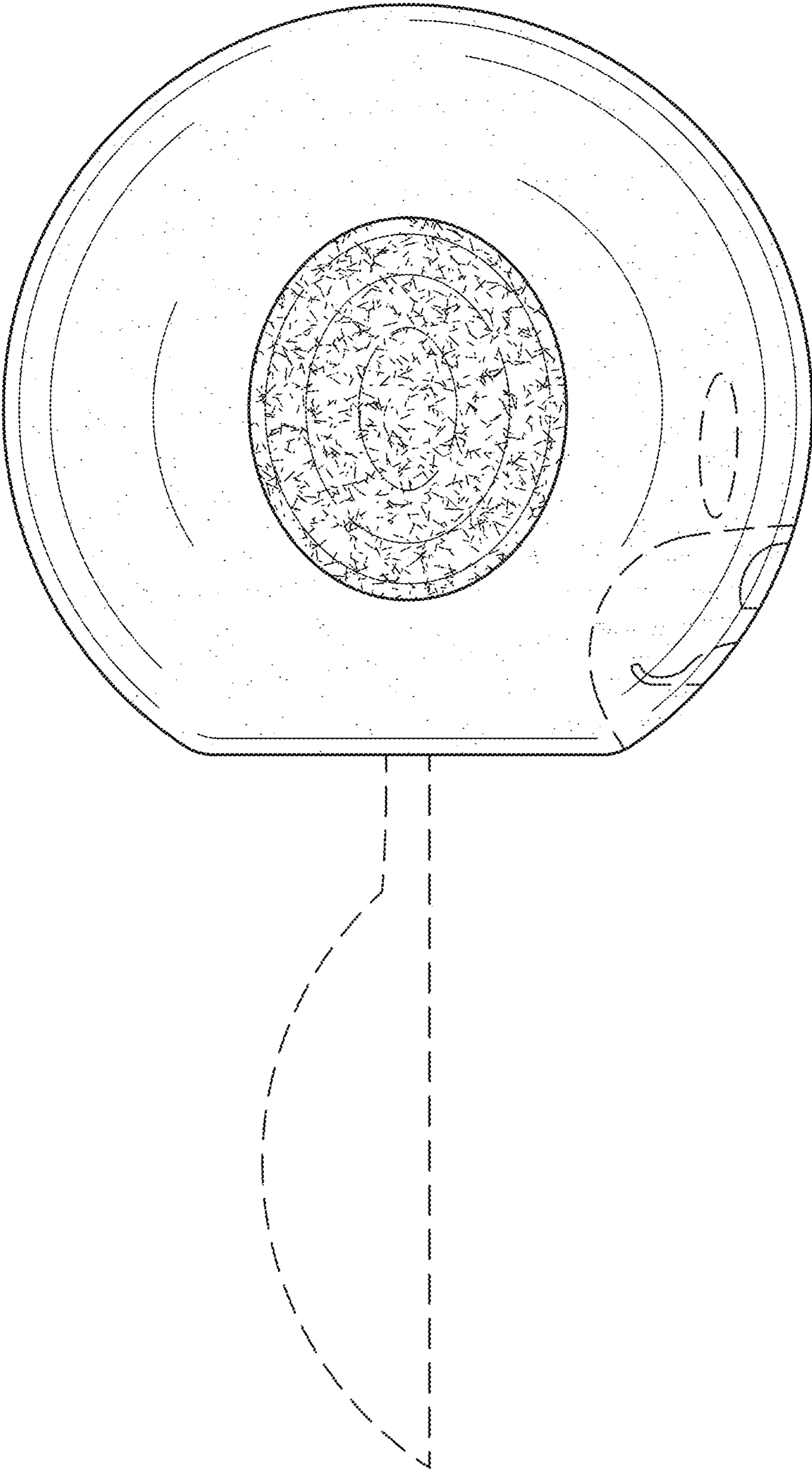
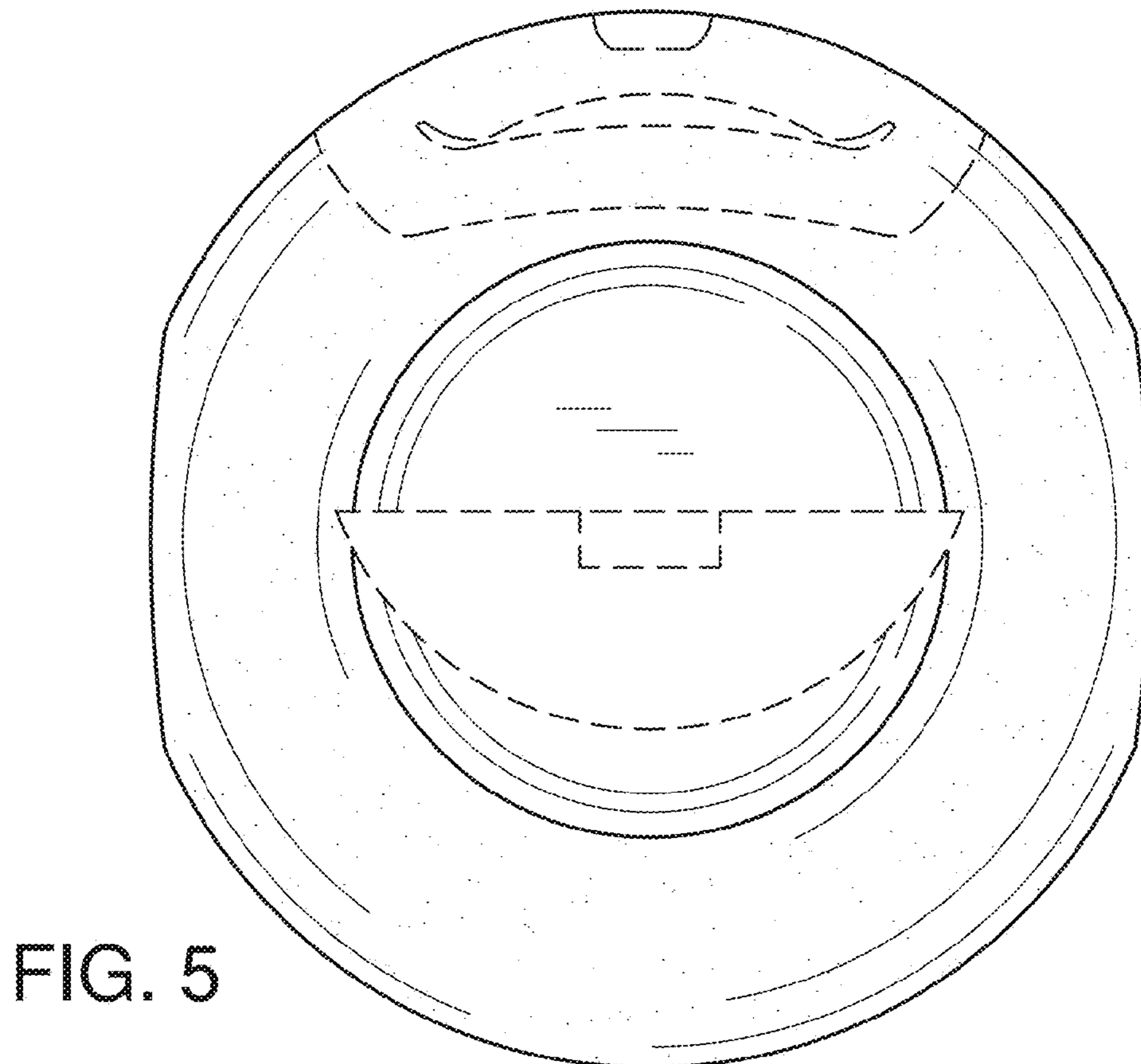
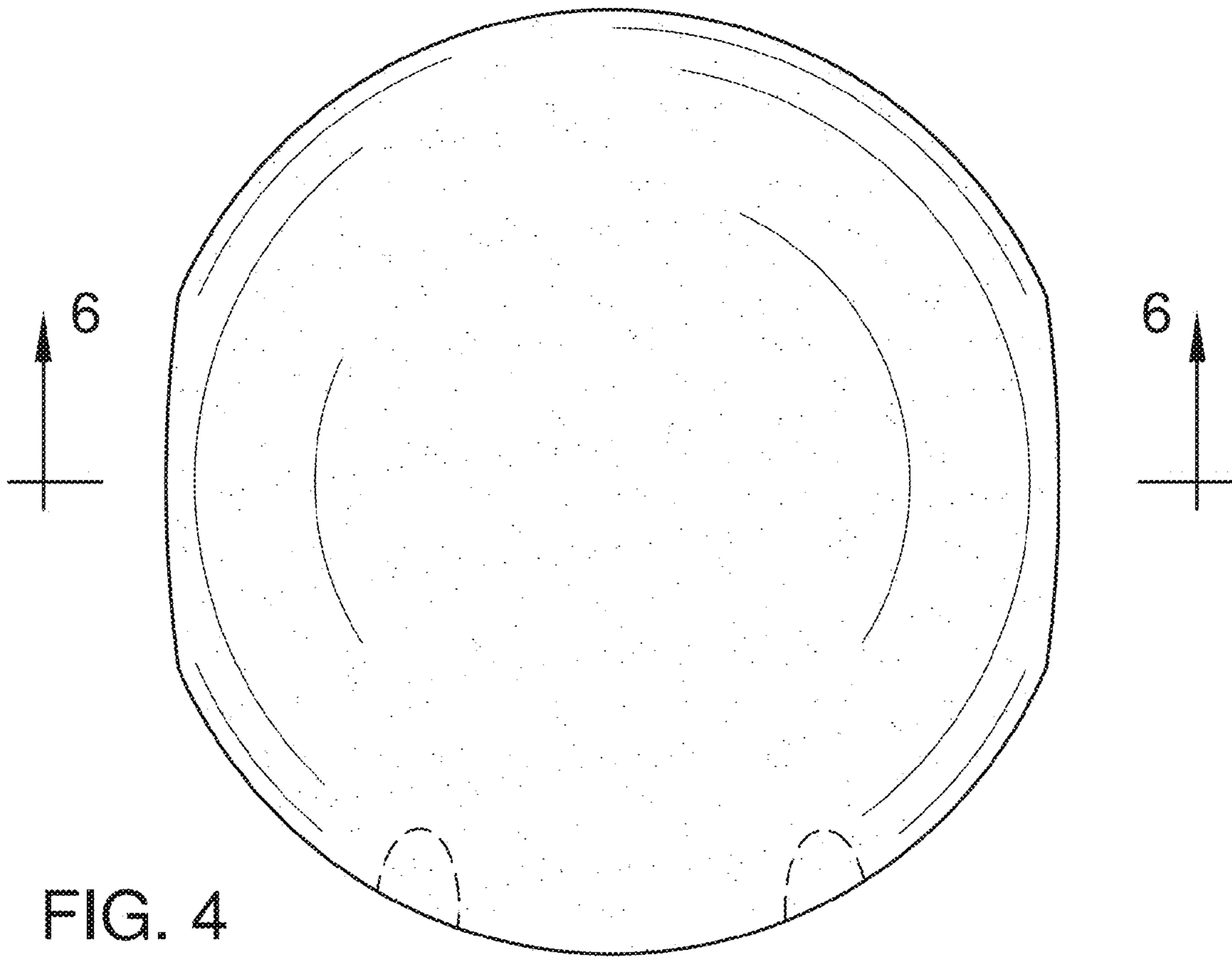


FIG. 3



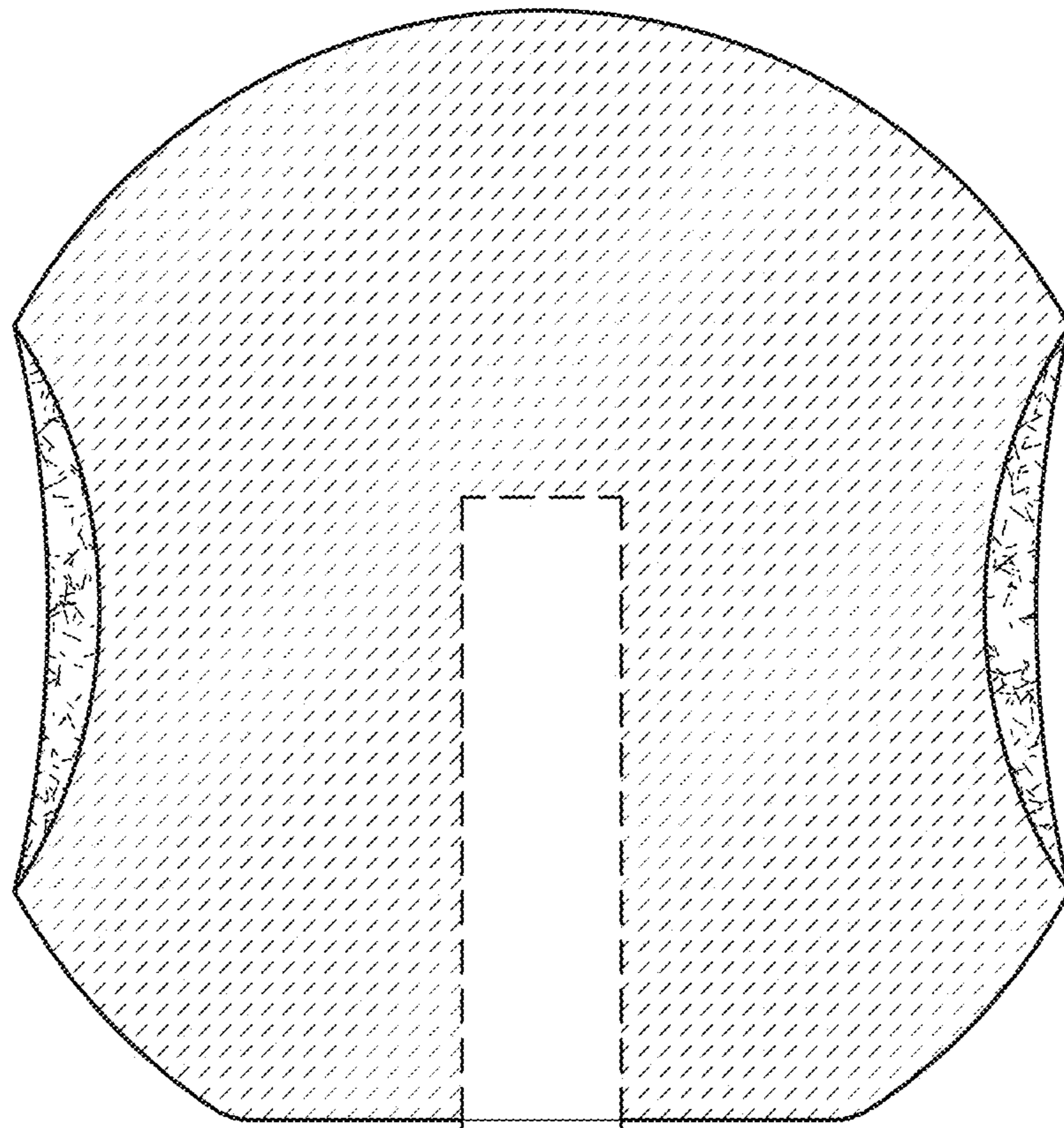


FIG. 6

