



US00D914441S

(12) **United States Design Patent**
Zhang

(10) **Patent No.:** **US D914,441 S**

(45) **Date of Patent:** **** Mar. 30, 2021**

(54) **TUMBLER STRAW LID**

(71) Applicant: **Bo Zhang**, Gong County (CN)

(72) Inventor: **Bo Zhang**, Gong County (CN)

(**) Term: **15 Years**

(21) Appl. No.: **29/682,994**

(22) Filed: **Mar. 8, 2019**

(51) **LOC (13) Cl.** **07-99**

(52) **U.S. Cl.**

USPC **D7/392.1**; D7/396.2; D9/447

(58) **Field of Classification Search**

USPC D9/414, 415, 432, 434, 435, 443-453,
D9/455-457, 499, 503, 504, 682, 685,
D9/686; D7/387, 391, 392, 392.1, 394,
D7/396.1-396.4, 506, 507, 509-511, 538,
D7/900; D3/202, 203.2, 294, 318;
D28/91, 91.1; D23/266

CPC .. A61J 1/00; A61J 1/1412; B65D 1/00; B65D
1/02; B65D 1/10; B65D 1/46; B65D
5/46; B65D 41/00; B65D 41/38; B65D
41/56; B65D 41/62; B65D 47/00; B65D
47/06; B65D 47/08; B65D 2251/00;
B65D 2543/00046; B65D 2543/00092;
B65D 2543/00296; B65D 2585/56; B65D
2585/545

See application file for complete search history.

(56) **References Cited**

U.S. PATENT DOCUMENTS

D675,525 S * 2/2013 Hanai D9/447
D686,448 S * 7/2013 Boroski D7/392.1

D717,103 S * 11/2014 Wilbur D7/392.1
D748,478 S * 2/2016 Sorensen D9/443
D799,320 S * 10/2017 Goodwin D7/392.1
D805,838 S * 12/2017 Guthrie D7/392.1
D812,966 S * 3/2018 Murosky D7/392.1
D815,889 S * 4/2018 Xu D7/392.1
D820,038 S * 6/2018 Sorensen D7/392.1
D868,534 S * 12/2019 Lin D7/392.1
D870,508 S * 12/2019 Palkon D7/392.1
D872,522 S * 1/2020 Diener D7/392.1
D872,524 S * 1/2020 Bo D7/392.1

FOREIGN PATENT DOCUMENTS

CN 305324500 * 8/2019

* cited by examiner

Primary Examiner — Wendy L Arminio

(74) *Attorney, Agent, or Firm* — Rumit Ranjit Kanakia

(57) **CLAIM**

The ornamental design for a tumbler straw lid, as shown and described.

DESCRIPTION

FIG. 1 is a bottom view of a tumbler straw lid showing my new design;

FIG. 2 is a top view thereof;

FIG. 3 is a front side elevation view thereof;

FIG. 4 is a rear side elevation view thereof;

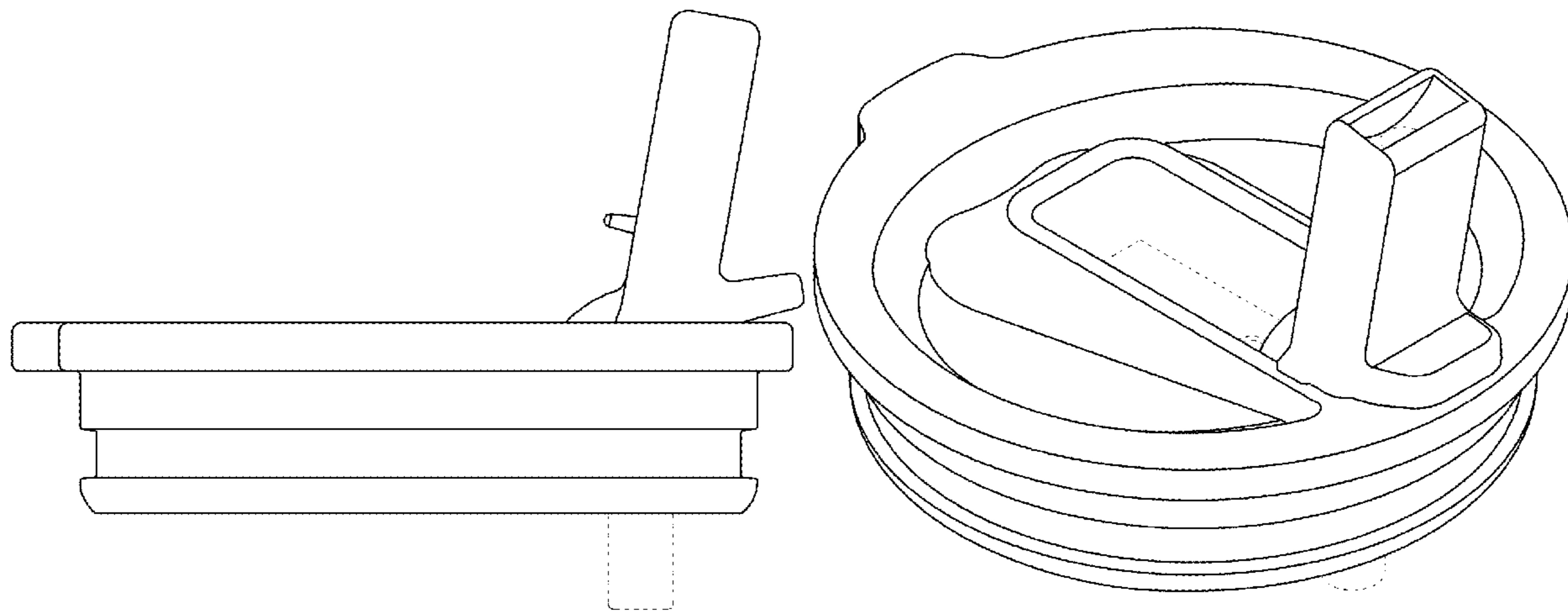
FIG. 5 is a right elevation view thereof;

FIG. 6 is a left elevation view thereof; and,

FIG. 7 is a perspective view thereof.

The broken lines depict portions of the tumbler straw lid that form no part of the claimed design.

1 Claim, 7 Drawing Sheets



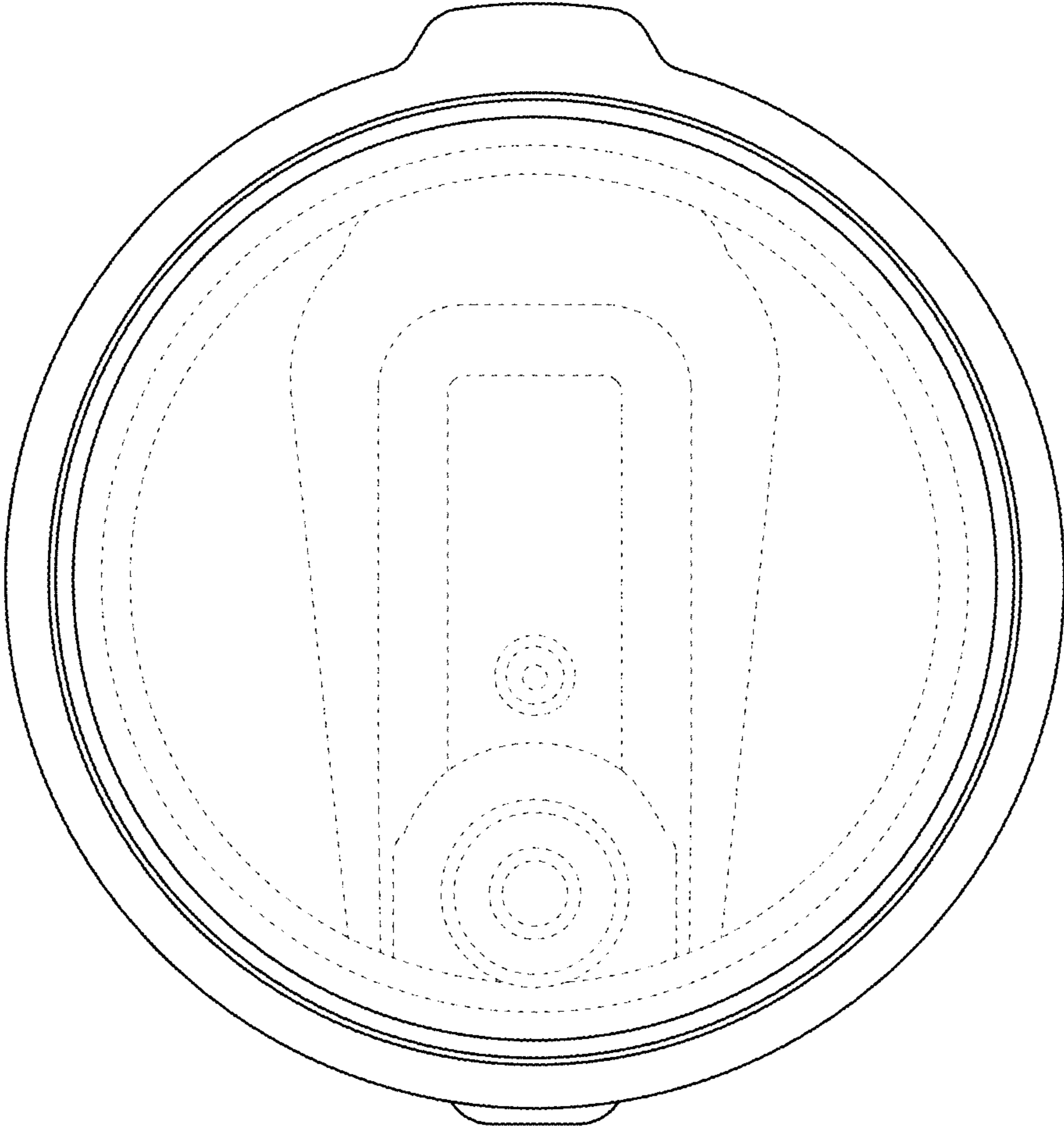


FIG. 1

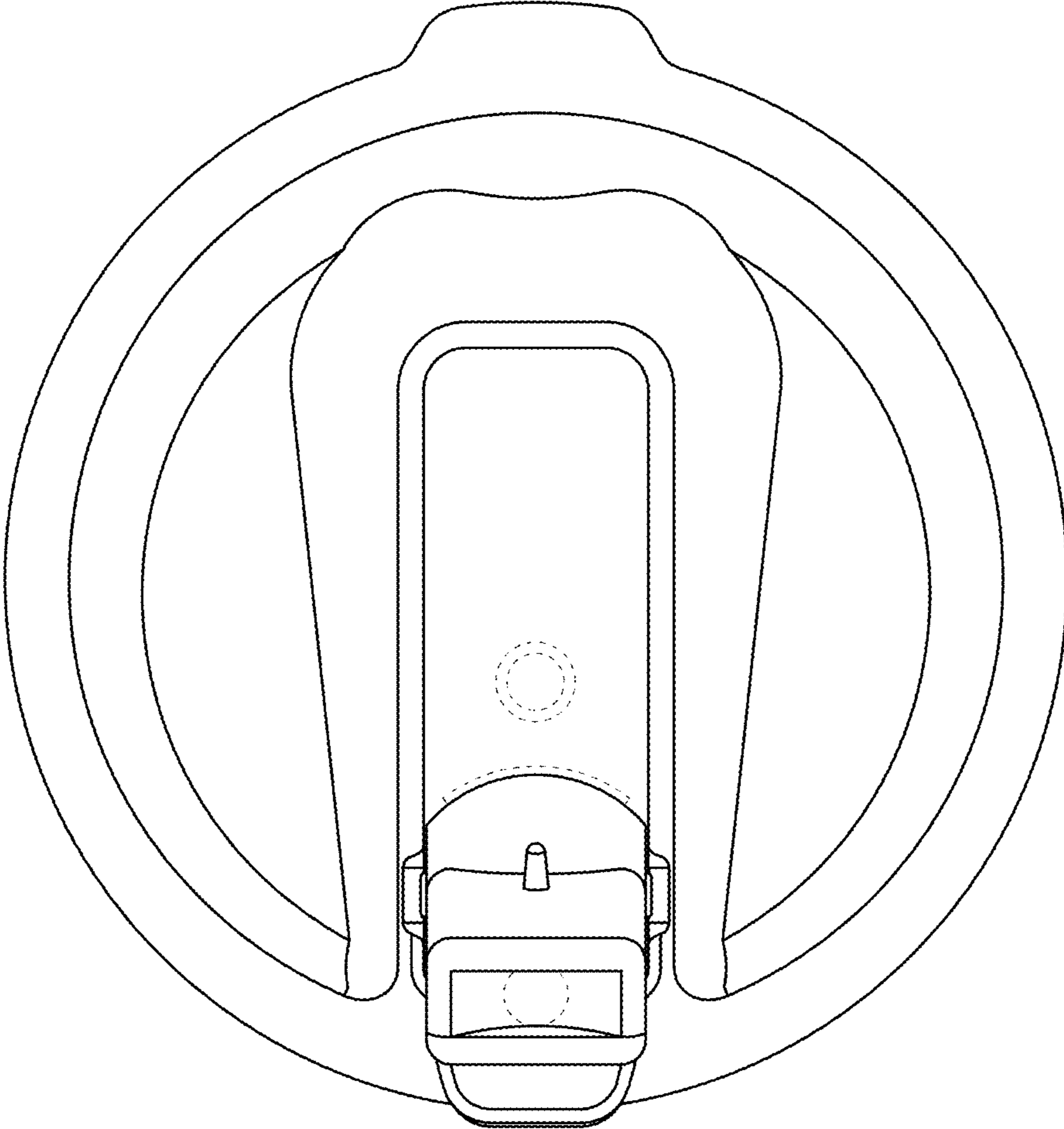


FIG. 2

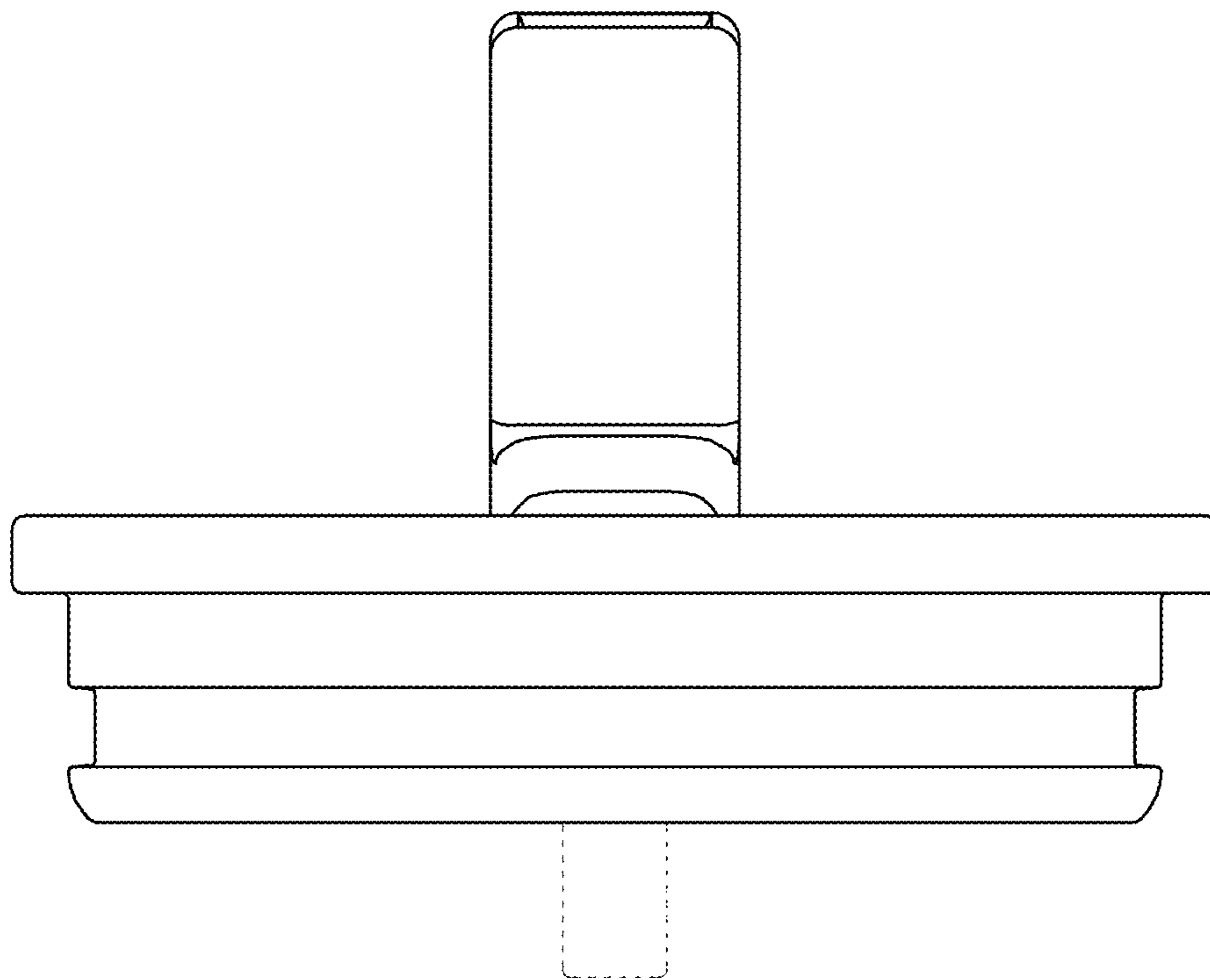


FIG. 3

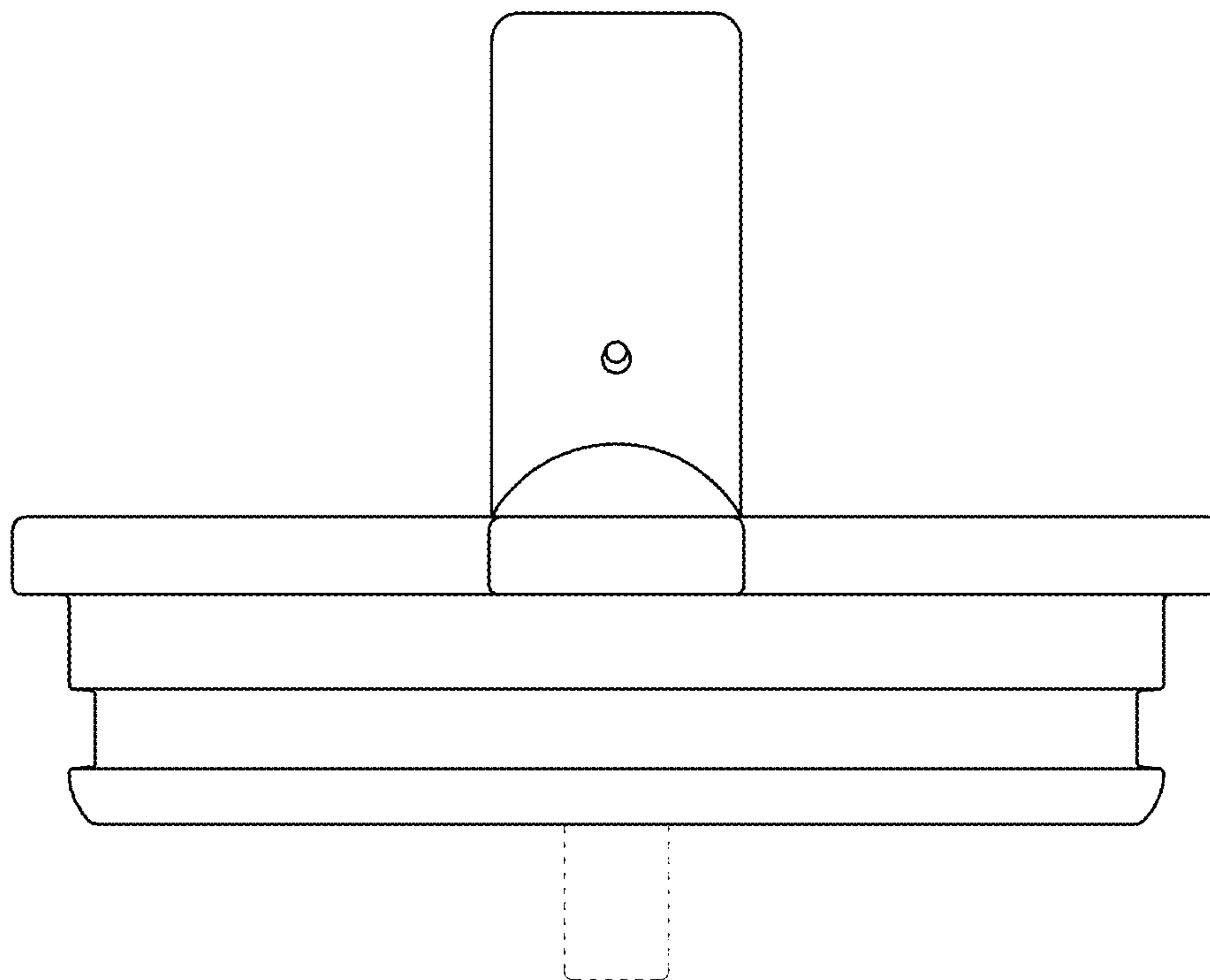


FIG. 4

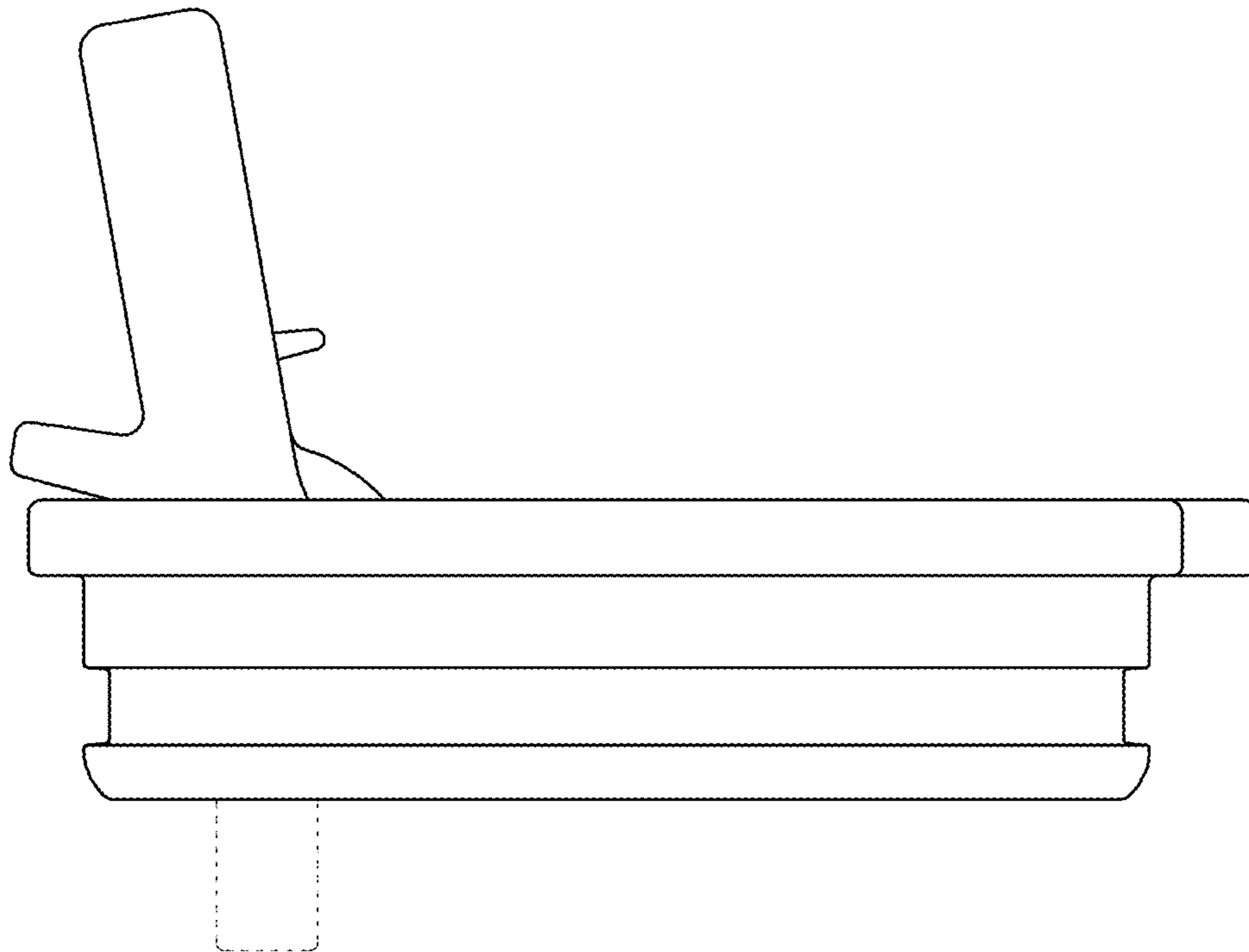


FIG. 5

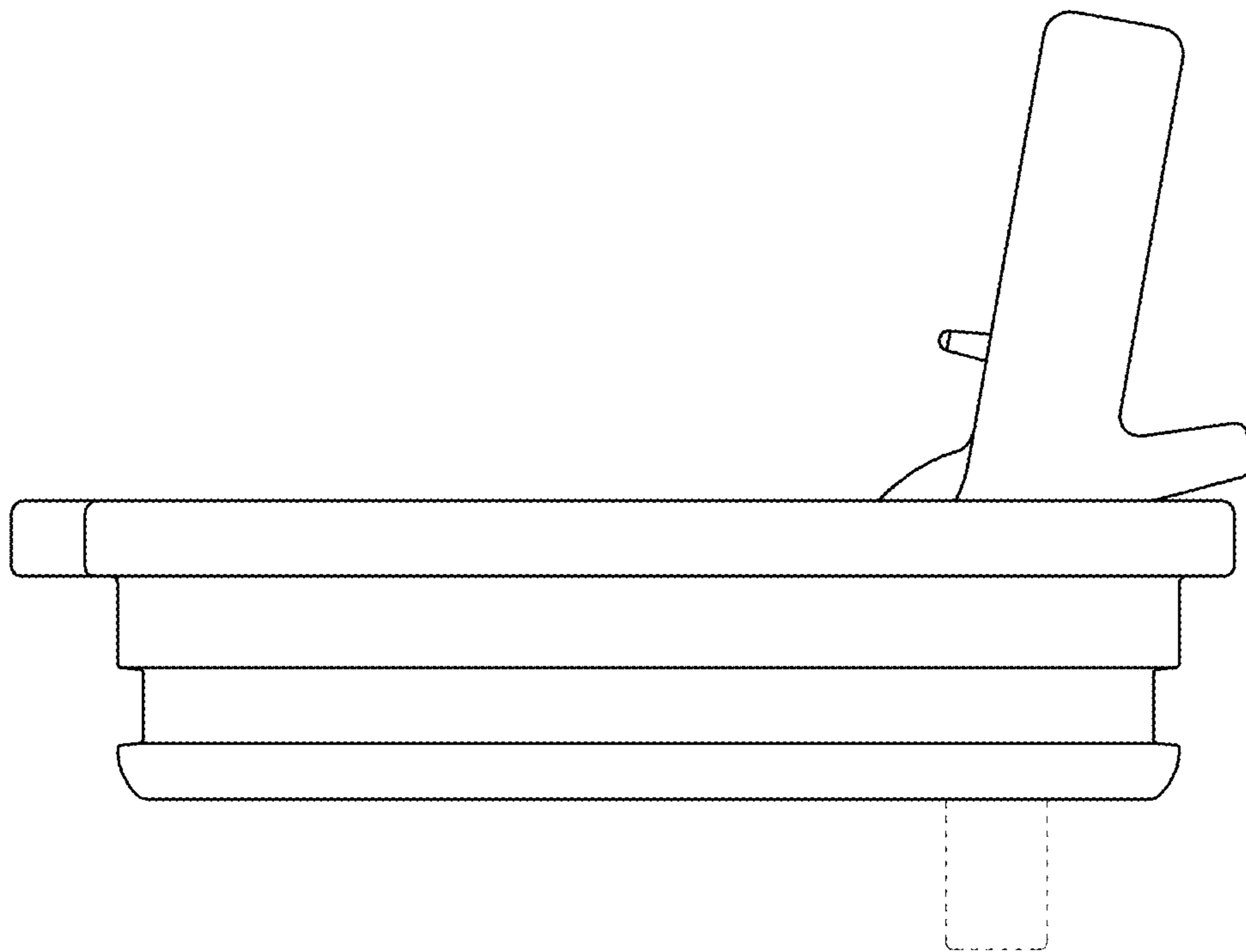


FIG. 6

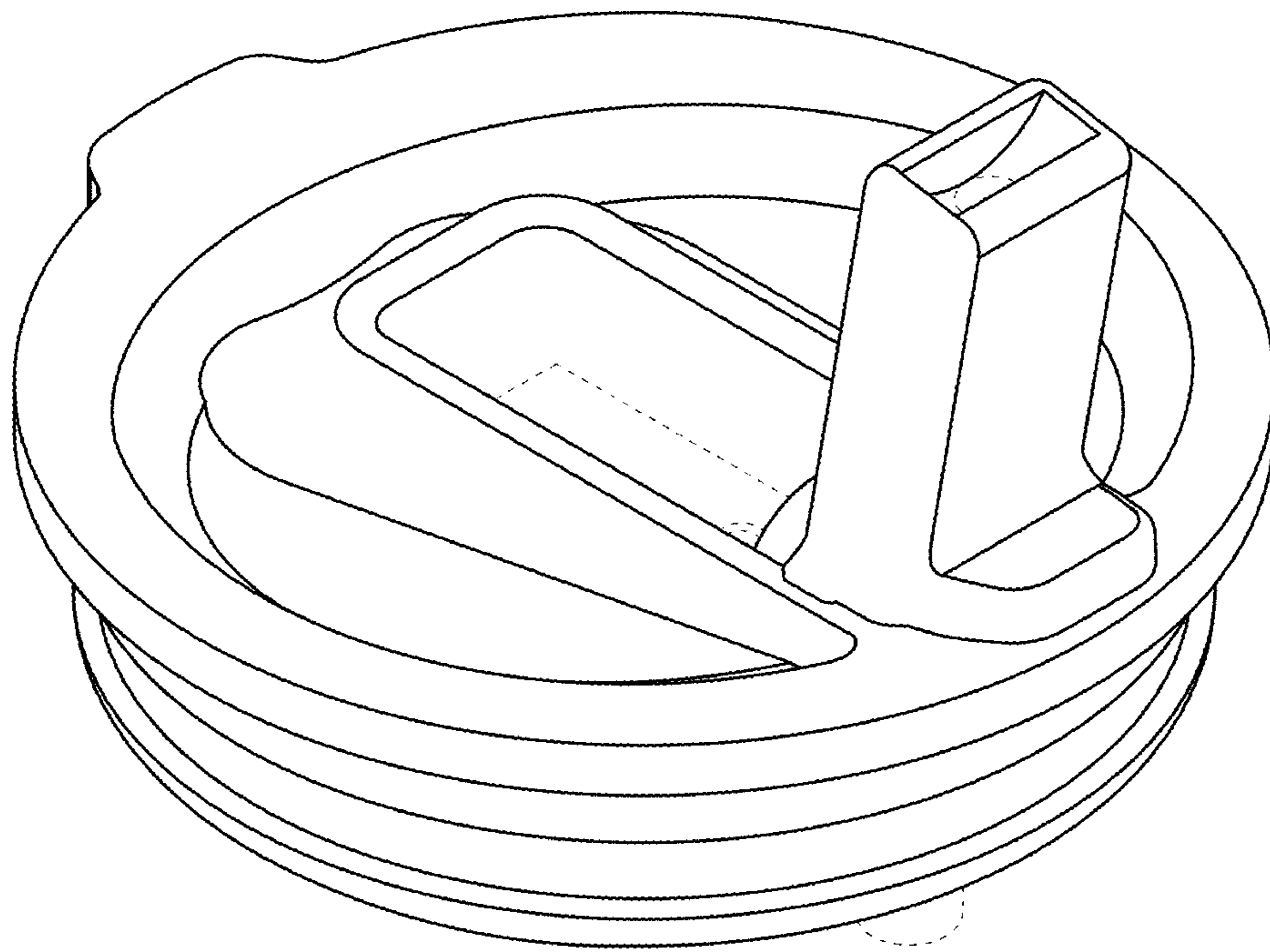


FIG. 7