



US00D914438S

(12) **United States Design Patent**  
**Breit et al.**

(10) **Patent No.:** **US D914,438 S**  
(45) **Date of Patent:** **\*\* Mar. 30, 2021**

(54) **BOTTLE CAP**

(71) Applicant: **O2COOL, LLC**, Chicago, IL (US)

(72) Inventors: **Oliver Breit**, Discovery Bay (HK);  
**Lars Junker**, Kowloon (HK); **Vicky Hui**, Tsing Yi (HK); **Michael Ksiazek**, Burr Ridge, IL (US)

(73) Assignee: **O2COOL, LLC**, Chicago, IL (US)

(\*\*) Term: **15 Years**

(21) Appl. No.: **29/721,590**

(22) Filed: **Jan. 22, 2020**

**Related U.S. Application Data**

(63) Continuation of application No. 29/609,979, filed on Jul. 7, 2017, now Pat. No. Des. 874,214.

(51) **LOC (13) Cl.** ..... **07-99**

(52) **U.S. Cl.**  
USPC ..... **D7/392**

(58) **Field of Classification Search**  
USPC ..... D9/452, 453, 454, 435, 447, 449;  
D7/391, 392, 392.1, 510, 511, 538, 540,  
D7/542, 543, 544, 545, 629  
CPC ... A47G 19/2205; A47G 19/2222; A45F 3/16;  
A45F 3/20; B67D 7/06; B67D 7/0004;  
B65D 25/14; B65D 47/065; B65D  
47/066; B65D 2543/00101; B65D  
2543/00027  
See application file for complete search history.

(56) **References Cited**

**U.S. PATENT DOCUMENTS**

D385,792 S † 11/1997 Sayers ..... D9/448  
D451,023 S † 11/2001 Kitamura ..... D9/449  
D530,609 S † 10/2006 Beaver ..... D9/445  
D547,184 S † 7/2007 Kim ..... D9/447

D586,183 S \* 2/2009 Junkel ..... D7/511  
D589,743 S † 4/2009 Pearson ..... D7/392  
7,712,618 B2 † 5/2010 Barre ..... B65D 47/0871  
215/237  
D629,644 S \* 12/2010 Zhuang ..... D7/392.1  
D655,581 S † 3/2012 Kotani ..... D7/608  
D675,060 S † 1/2013 Lane ..... D7/392.1  
D686,040 S † 7/2013 Lane ..... D7/510  
D686,871 S † 7/2013 Lane ..... D7/392.1  
D702,505 S † 4/2014 Nakatani ..... D7/605

(Continued)

**FOREIGN PATENT DOCUMENTS**

EM 004594836-0001 † 1/2018  
EM 004594836-0001 A1 1/2018

*Primary Examiner* — Karen S Acker

*Assistant Examiner* — Steven B Reinholdt, Jr.

(74) *Attorney, Agent, or Firm* — Thompson Coburn LLP

(57) **CLAIM**

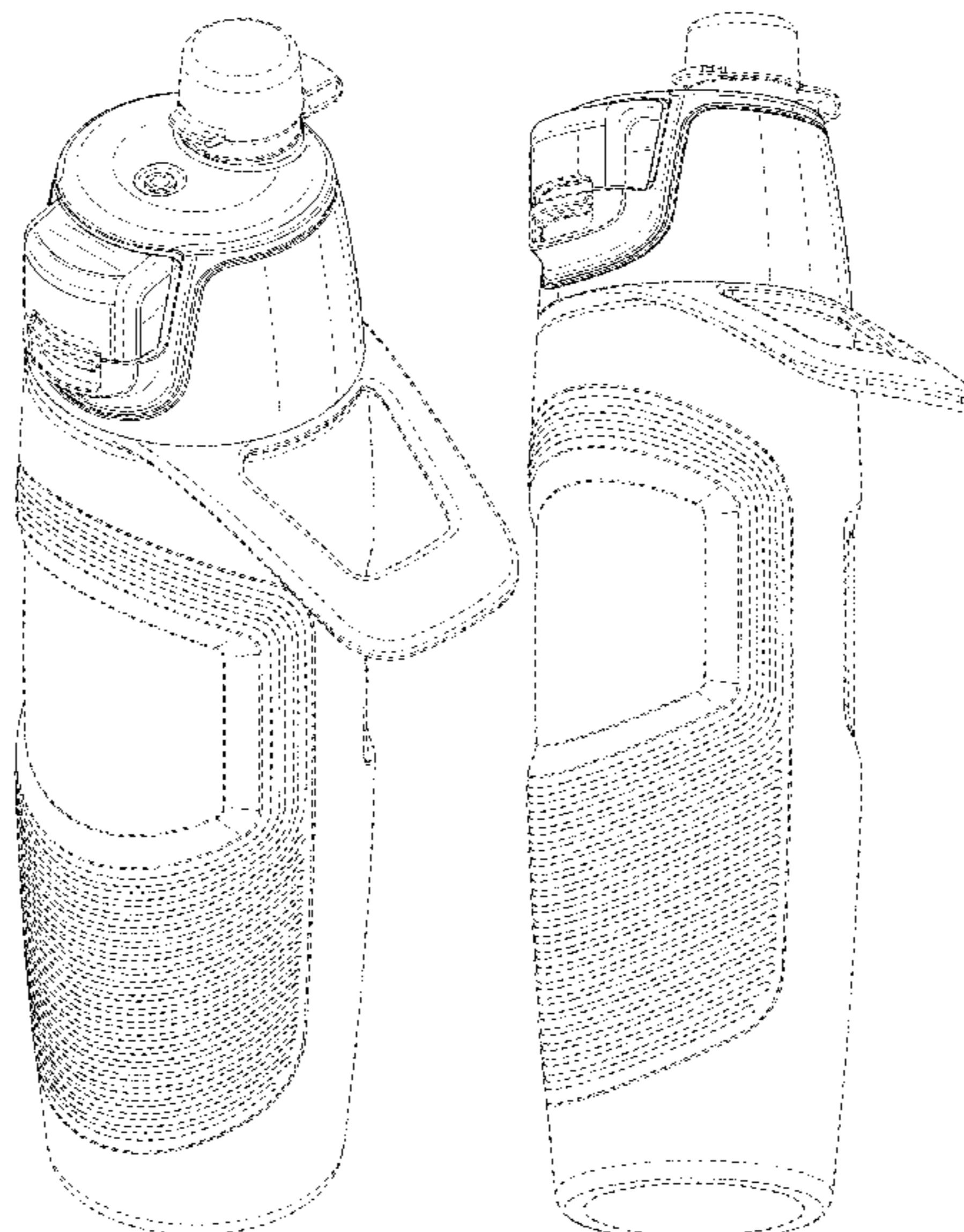
The ornamental design for a bottle cap, as shown and described.

**DESCRIPTION**

FIG. 1 is a first perspective view of the bottle cap showing our new design;  
FIG. 2 is a second perspective view thereof;  
FIG. 3 is a front view thereof;  
FIG. 4 is a rear view thereof;  
FIG. 5 is a left side view thereof;  
FIG. 6 is a right side view thereof;  
FIG. 7 is an enlarged top view thereof; and,  
FIG. 8 is an enlarged bottom view thereof.

The broken lines depict portions of the bottle cap that form no part of the claimed design. The dot dash dot broken line is an unclaimed feature line that serves as a boundary to the claim. The broken lines below the dot dash dot broken line illustrating a bottle is environment that forms no part of the claimed design.

**1 Claim, 8 Drawing Sheets**



(56)

**References Cited**

U.S. PATENT DOCUMENTS

D718,626	S	‡	12/2014	Lane	.....	B65D 41/62
						D9/449
D744,290	S	‡	12/2015	Endo	.....	D7/608
D773,255	S	‡	12/2016	Horimoto	.....	D7/608
D794,453	S	‡	8/2017	Boroski	.....	D7/392.1
D795,011	S	‡	8/2017	Pisarevsky	.....	D7/507
D829,054	S	‡	9/2018	Breit	.....	D7/510
D830,118	S	‡	10/2018	Ksiazek	.....	D7/392.1
D856,065	S	*	8/2019	Breit	.....	D7/392.1
D859,067	S	*	9/2019	Breit	.....	D7/392.1
D874,214	S	*	2/2020	Breit	.....	D7/392
D893,939	S	*	8/2020	Breit	.....	D7/392.1
D893,940	S	*	8/2020	Breit	.....	D7/392.1
2011/0284541	A1	‡	11/2011	Webster	.....	B65D 23/10
						220/288
2019/0062006	A1	*	2/2019	Breit	.....	B65D 43/0233

\* cited by examiner

‡ imported from a related application

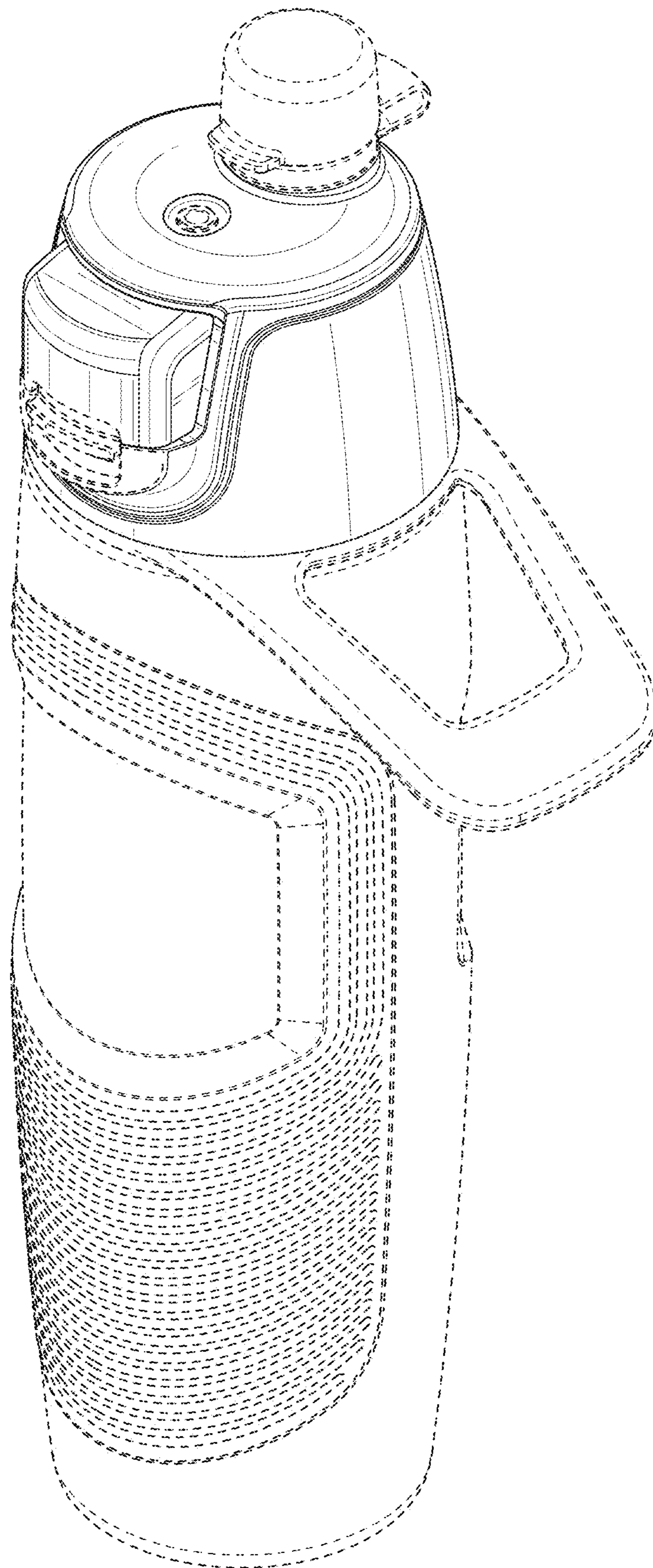


FIG. 1



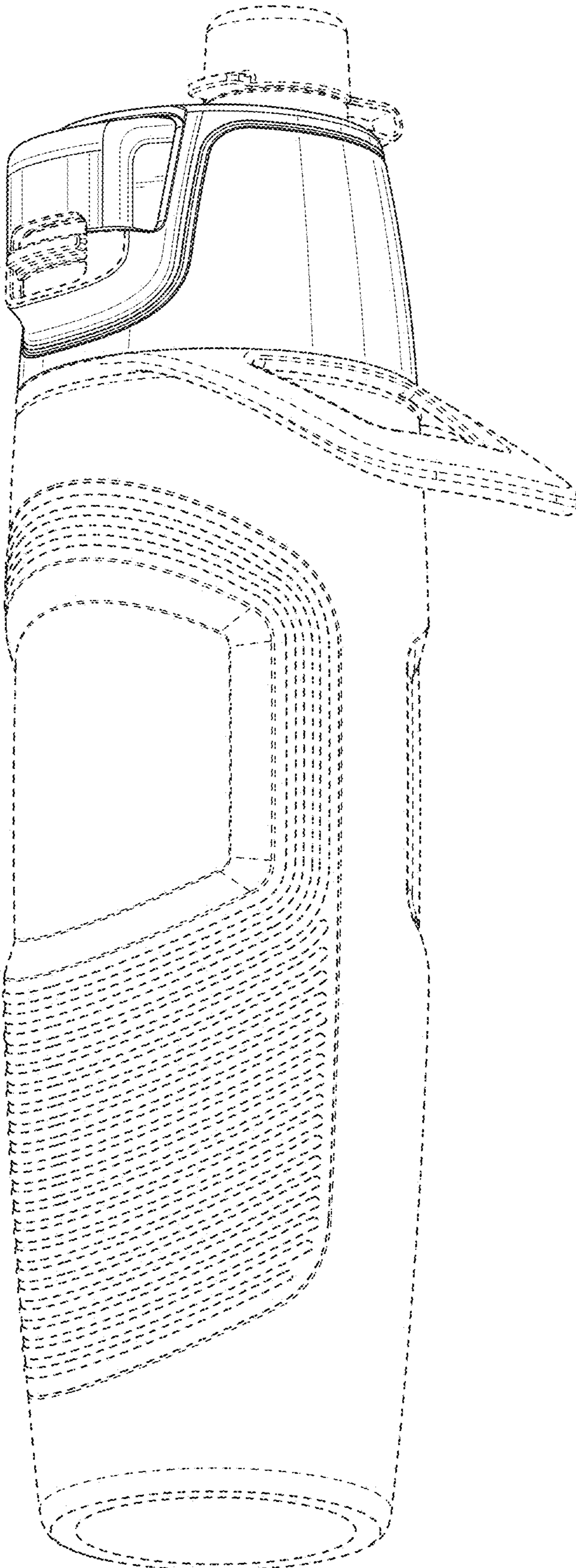


FIG. 2

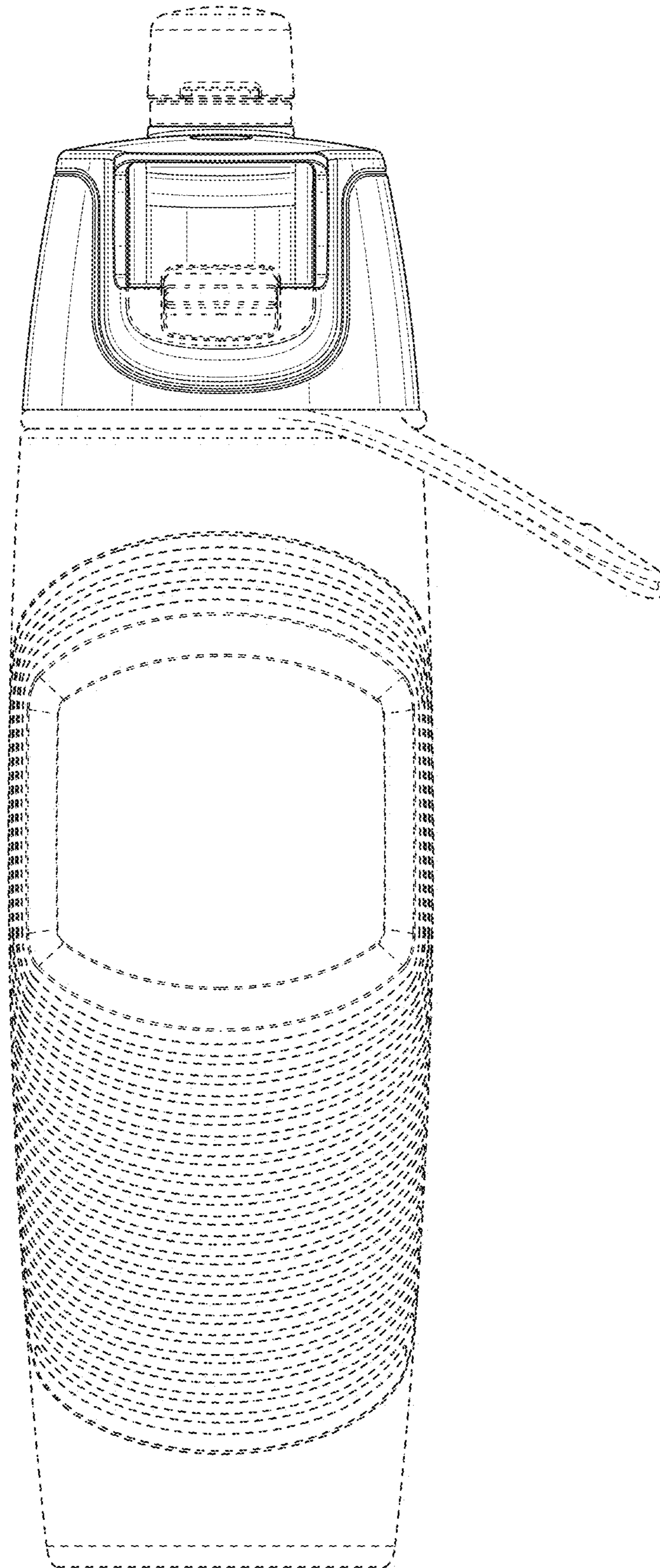


FIG. 3

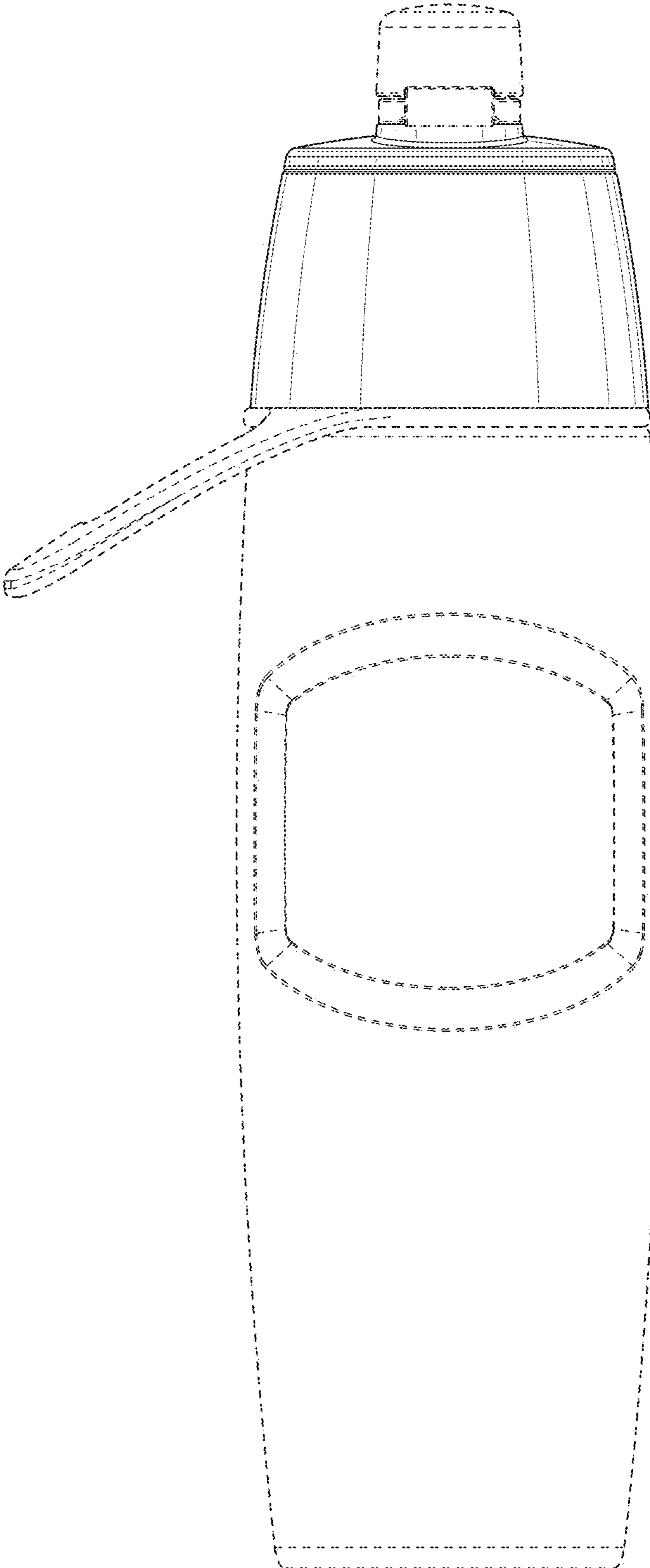


FIG. 4

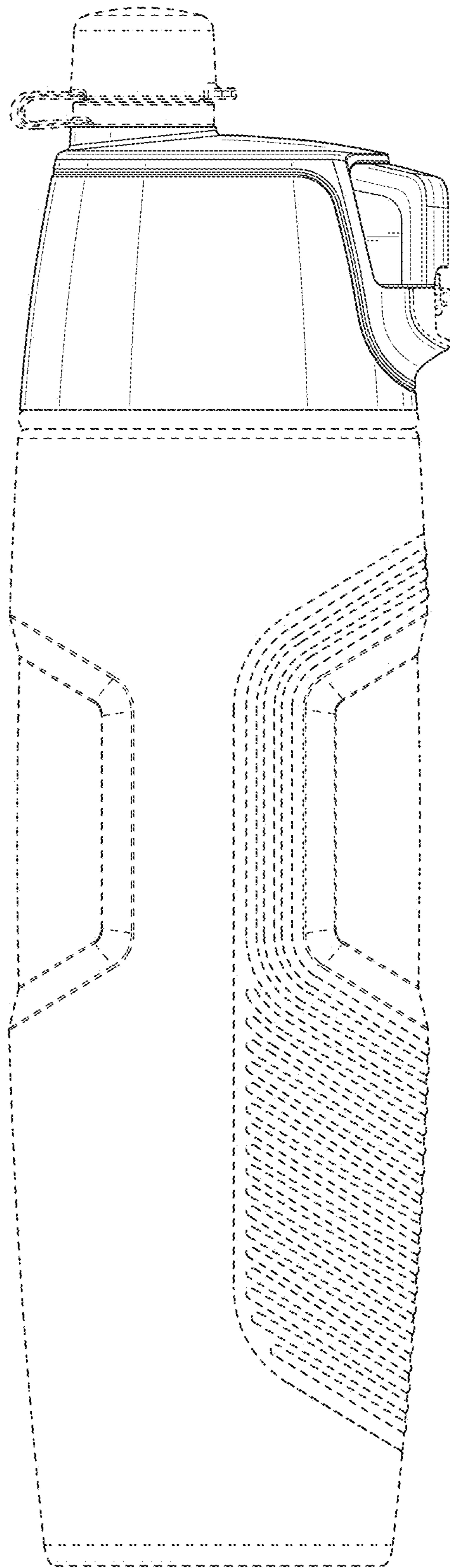


FIG. 5



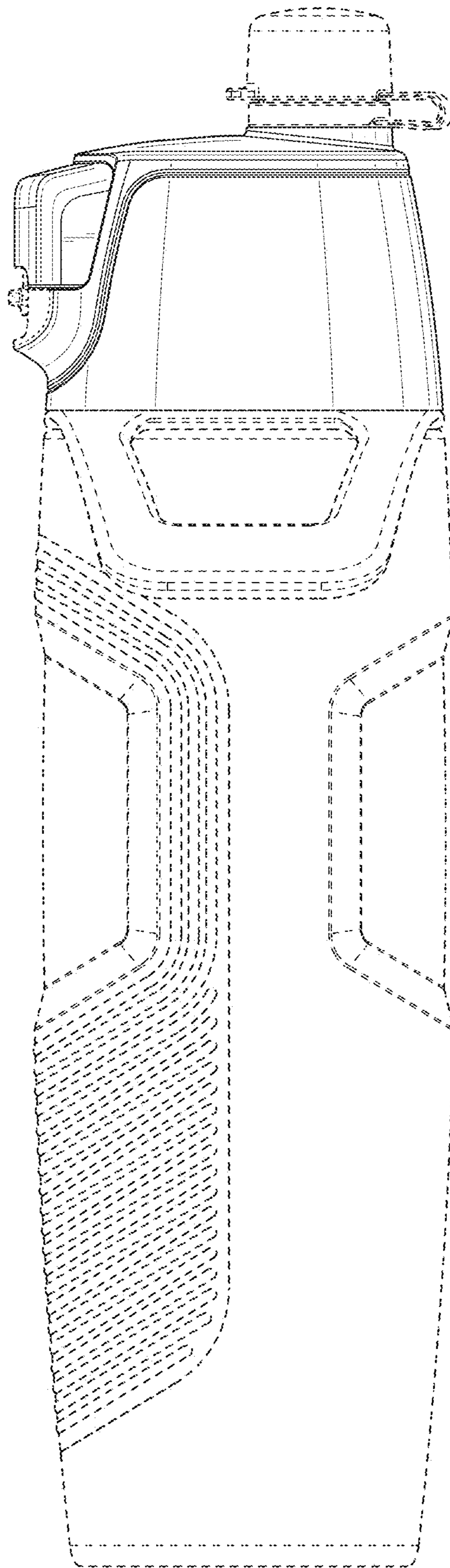


FIG. 6



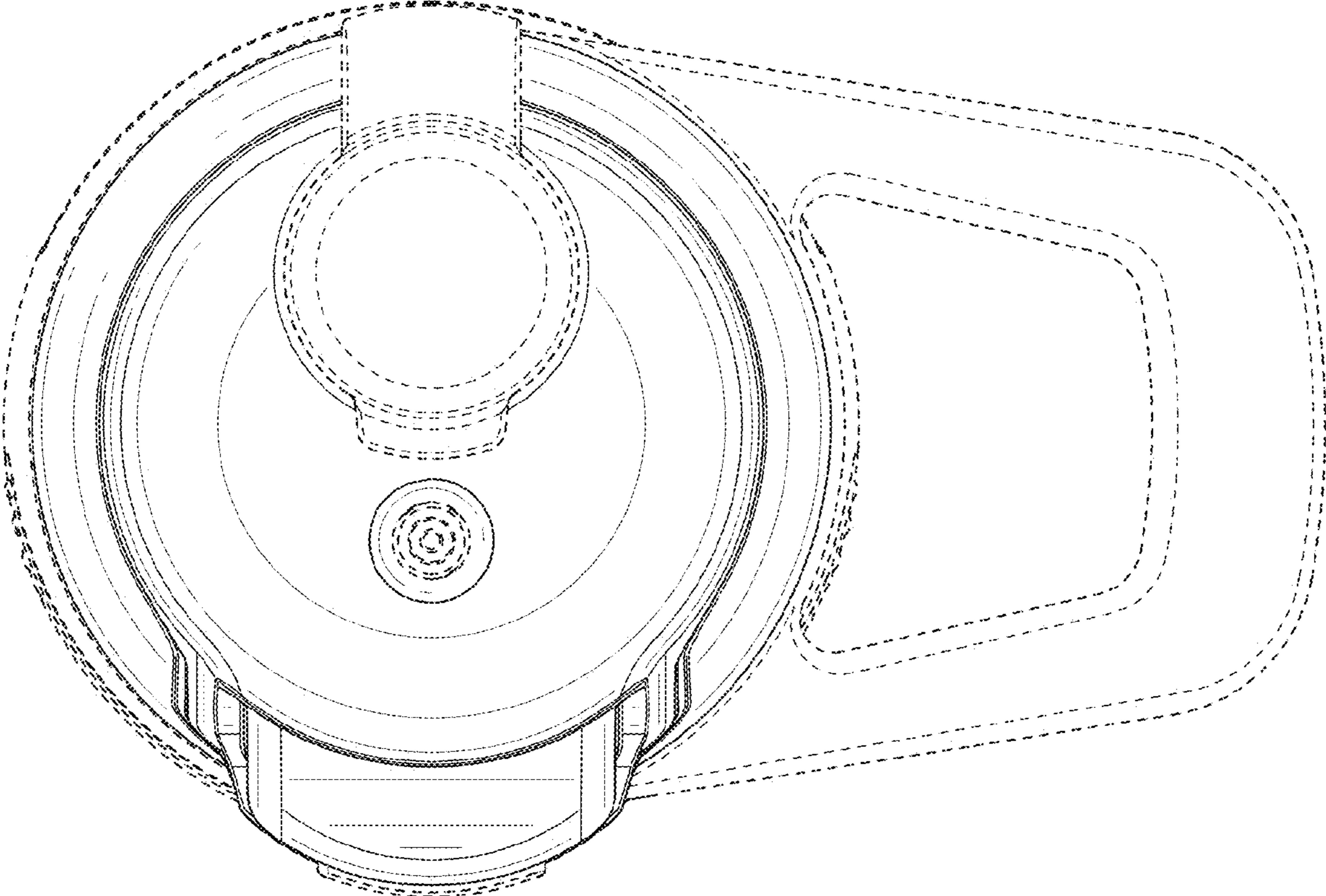


FIG. 7

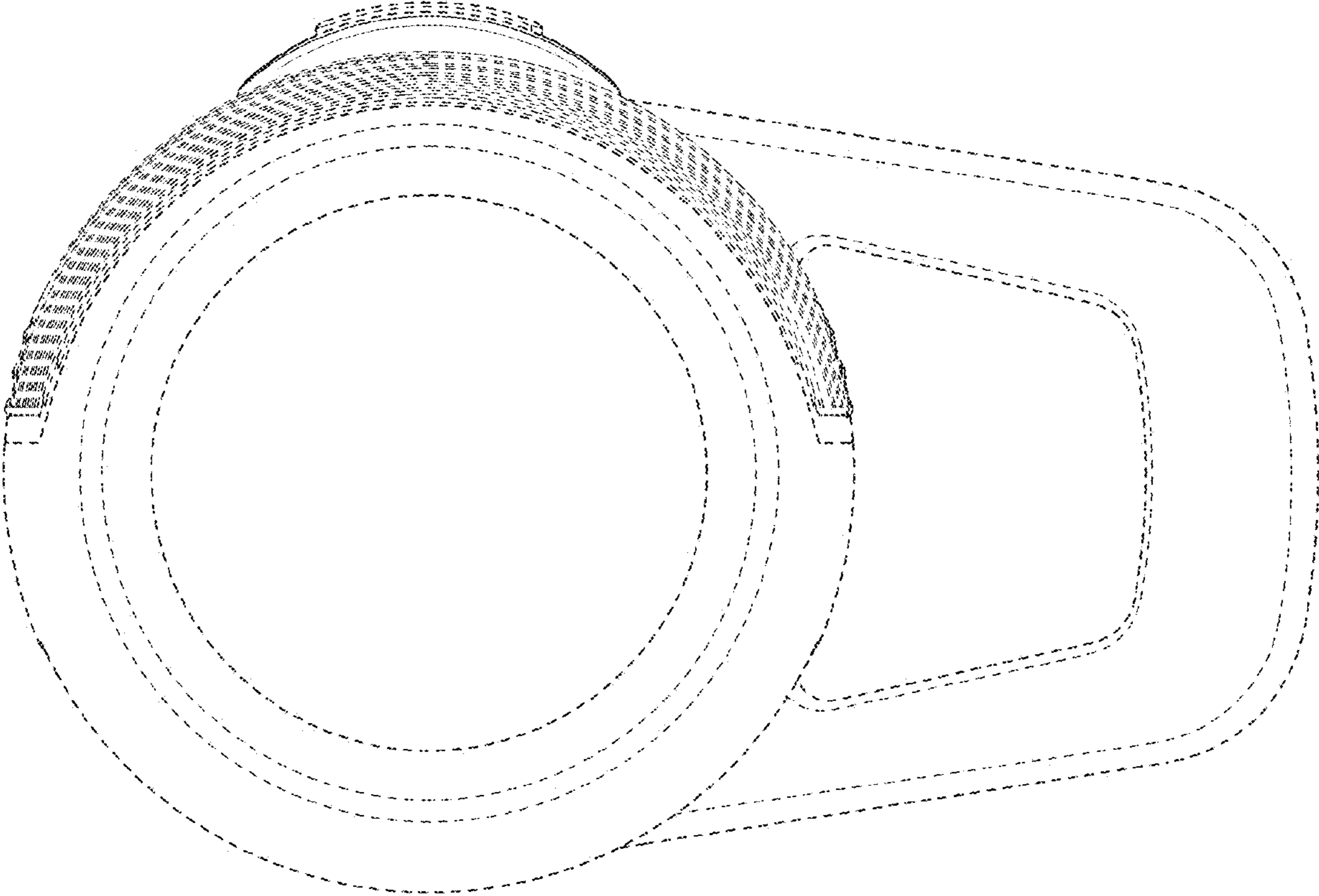


FIG. 8