



US00D914437S

(12) **United States Design Patent** (10) **Patent No.:** **US D914,437 S**
Liu (45) **Date of Patent:** **** Mar. 30, 2021**

(54) **SLICER**

(71) Applicant: **Sinsion Technology Industrial Co., Ltd, Jiangmen (CN)**

(72) Inventor: **Jimmy Liu, Jiangmen (CN)**

(73) Assignee: **Sinsion Technology Industrial Co. Ltd., Jiangmen (CN)**

(**) Term: **15 Years**

(21) Appl. No.: **29/712,752**

(22) Filed: **Nov. 11, 2019**

(30) **Foreign Application Priority Data**

Oct. 16, 2019 (CN) 201930563640.7

(51) **LOC (13) Cl.** **31-00**

(52) **U.S. Cl.**
USPC **D7/383; D7/381**

(58) **Field of Classification Search**
USPC D7/372, 376-386, 412, 665-666, 669, D7/678-679, 693-694

CPC . B26D 1/14; B26D 1/143; B26D 1/15; B26D 1/153; B26D 1/157; B26D 1/18; B26D 1/28; B26D 5/00; B26D 5/06; B26D 5/08; B26D 5/10; B26D 5/12; B26D 5/22; B26D 5/26; B26D 5/38; B26D 5/42; B26D 7/00; B26D 7/01; B26D 7/0616; B26D 7/08; B26D 7/088; B26D 7/12; B26D 7/18; B26D 7/1818; B26D 7/22; B26D 7/225; B26D 7/24; B26D 7/26; B26D 7/2614; B26D 7/2621; B26D 7/2628; B26D 7/2635; B26D 7/30; B26D 7/32; B26D 7/325; B27G 13/00; B27G 13/005; B27G 13/10

See application file for complete search history.

(56) **References Cited**

U.S. PATENT DOCUMENTS

D162,996 S *	4/1951	Sivertsen	D7/383
D230,630 S *	3/1974	McCue	D7/383
D269,347 S *	6/1983	Cantatore	D7/383
5,509,337 A *	4/1996	Norman	B26D 7/088 83/478
D418,011 S *	12/1999	van Dullemen	D7/383
D418,012 S *	12/1999	Van Dullemen	D7/383
D424,867 S *	5/2000	Van Dullemen	D7/383
D513,682 S *	1/2006	Friel, Sr.	D7/383
D544,747 S *	6/2007	Biddle	D7/383
D548,517 S *	8/2007	Piret	D7/381
8,215,219 B2 *	7/2012	Rummel	B26D 5/26 83/717
D718,085 S *	11/2014	Elek	D7/383
2002/0069737 A1 *	6/2002	Zhu	B26D 7/0616 83/91

* cited by examiner

Primary Examiner — Ricky Pham

(74) *Attorney, Agent, or Firm* — D'Ambrosio & Menon, PLLC; Usha Menon

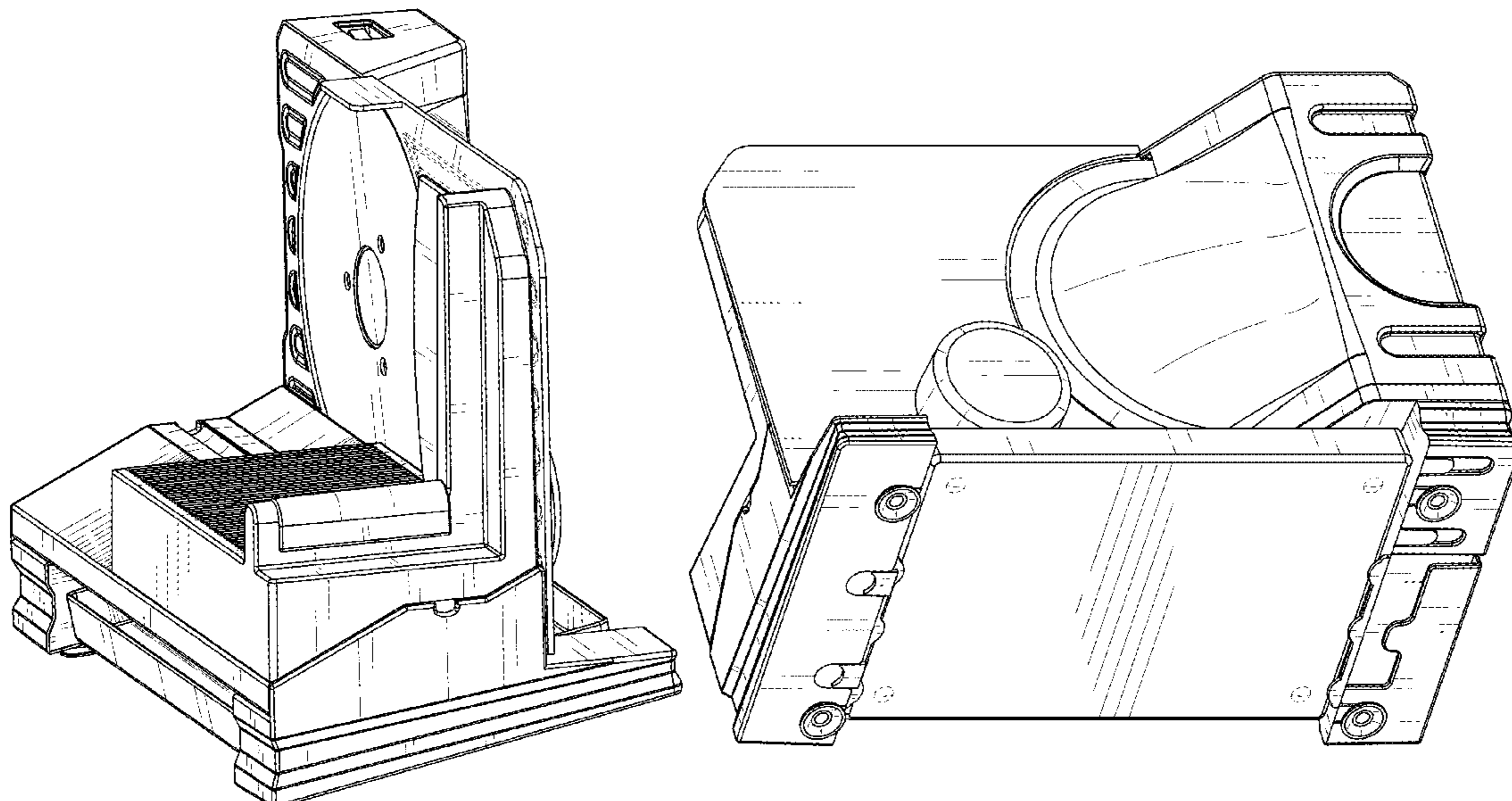
(57) **CLAIM**

The ornamental design for a slicer, as shown and described.

DESCRIPTION

FIG. 1 is a front view of a slicer showing my new design; FIG. 2 is a rear view thereof; FIG. 3 is a left-side view thereof; FIG. 4 is a right-side view thereof; FIG. 5 is a top view thereof; FIG. 6 is a bottom view thereof; FIG. 7 is a front perspective view thereof; and, FIG. 8 is a bottom perspective view thereof. The broken lines shown in the drawings are for the purpose of illustrating portions of the slicer that form no part of the claimed design.

1 Claim, 8 Drawing Sheets



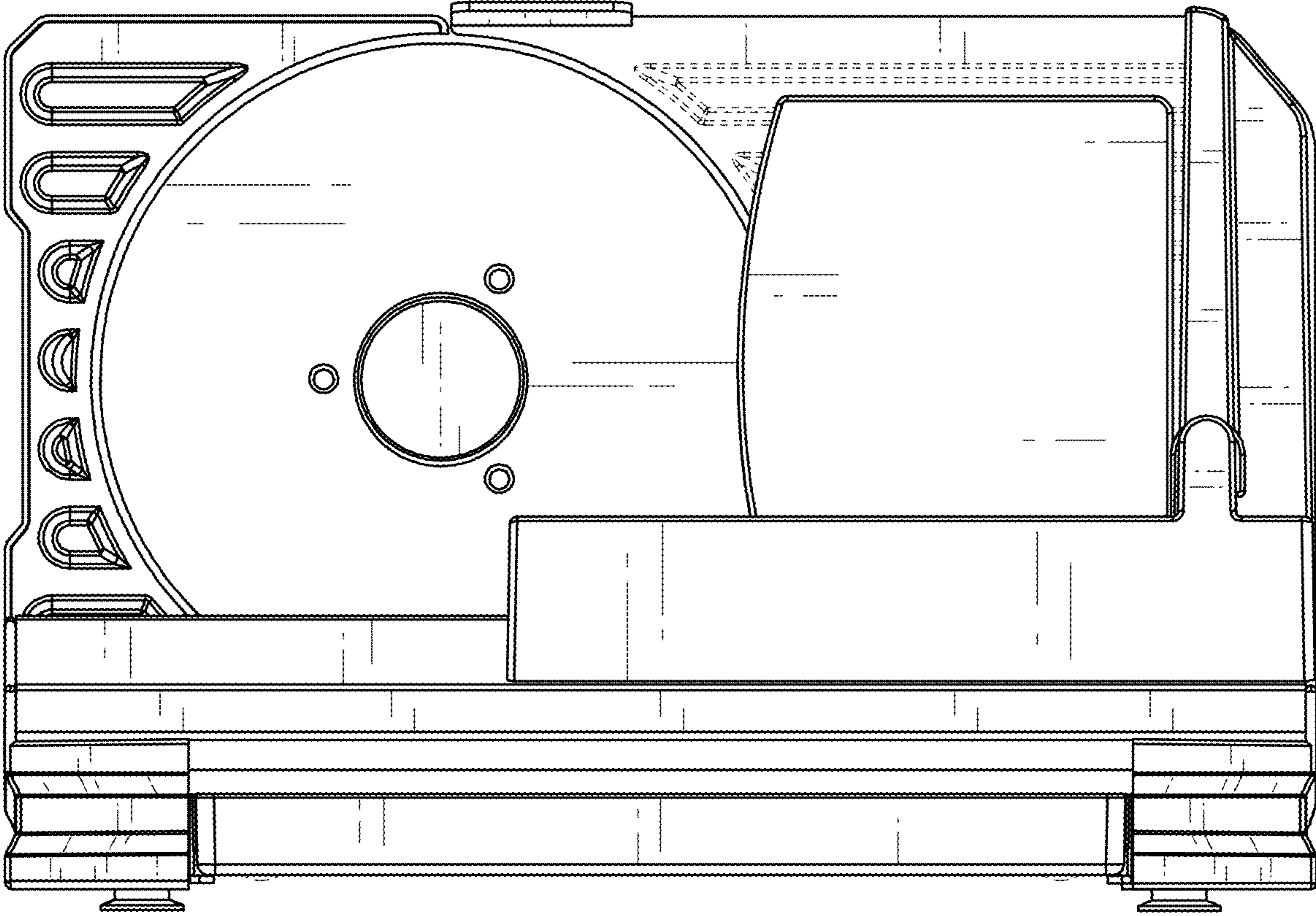


FIG. 1

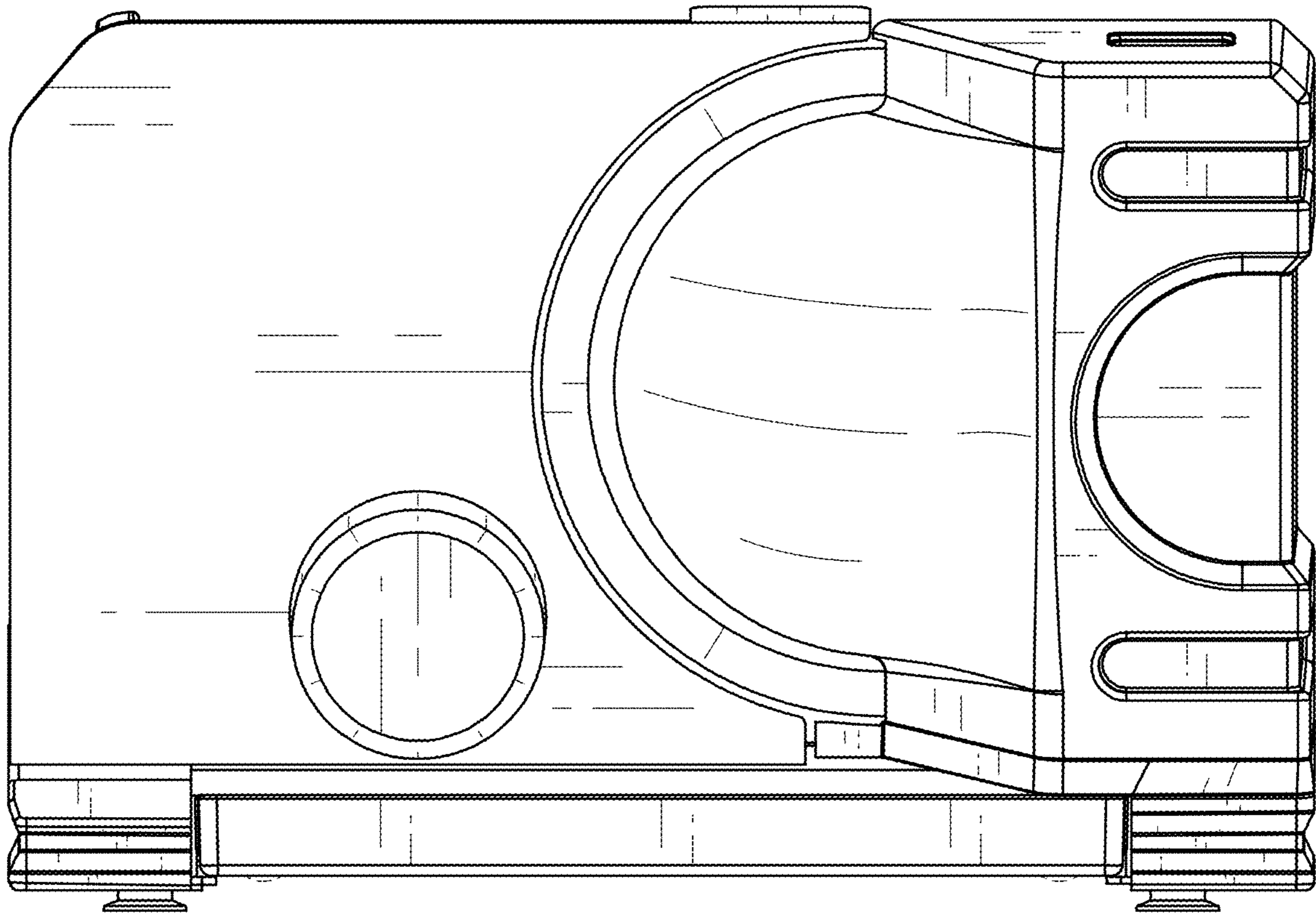


FIG. 2

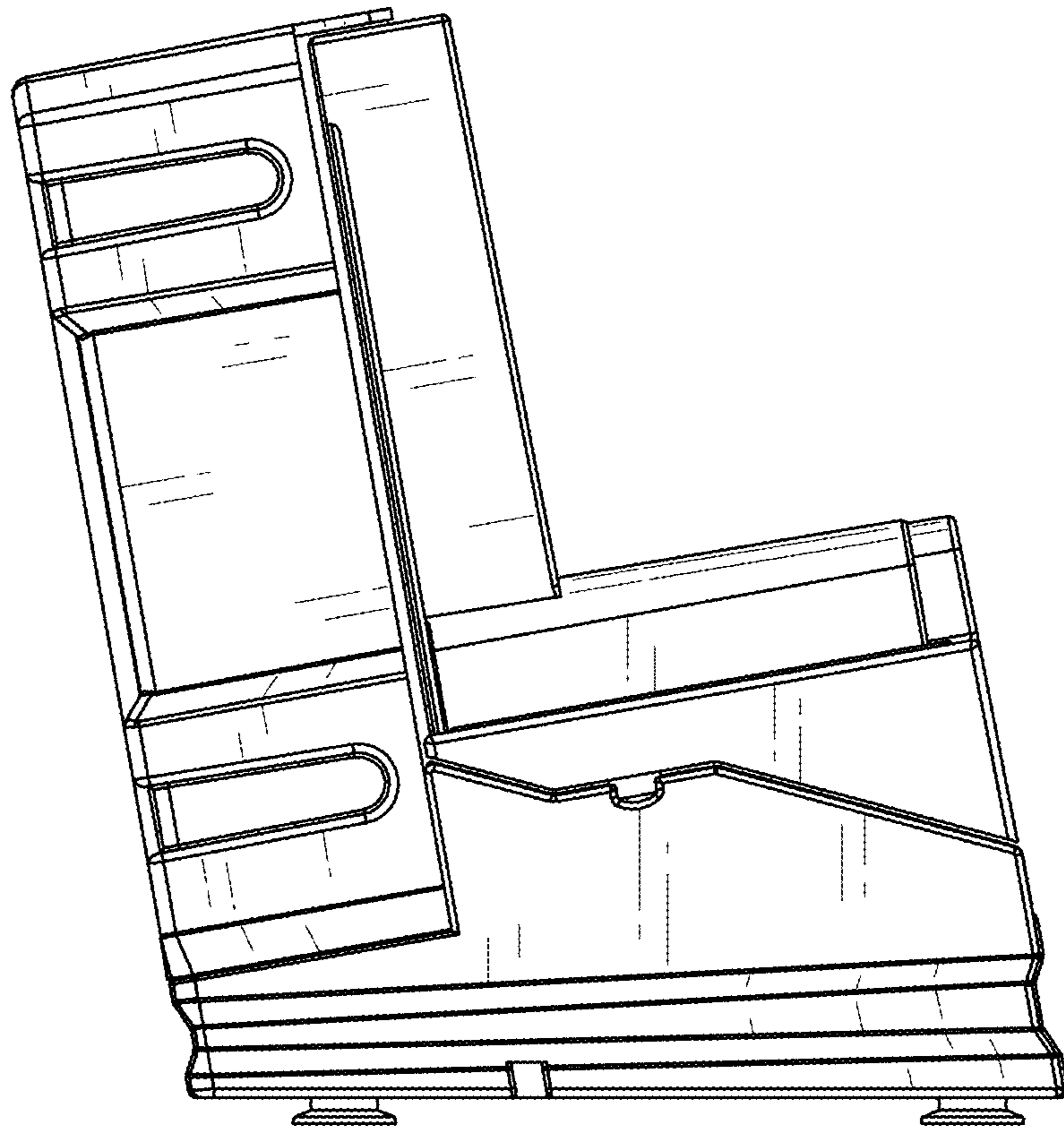


FIG. 3

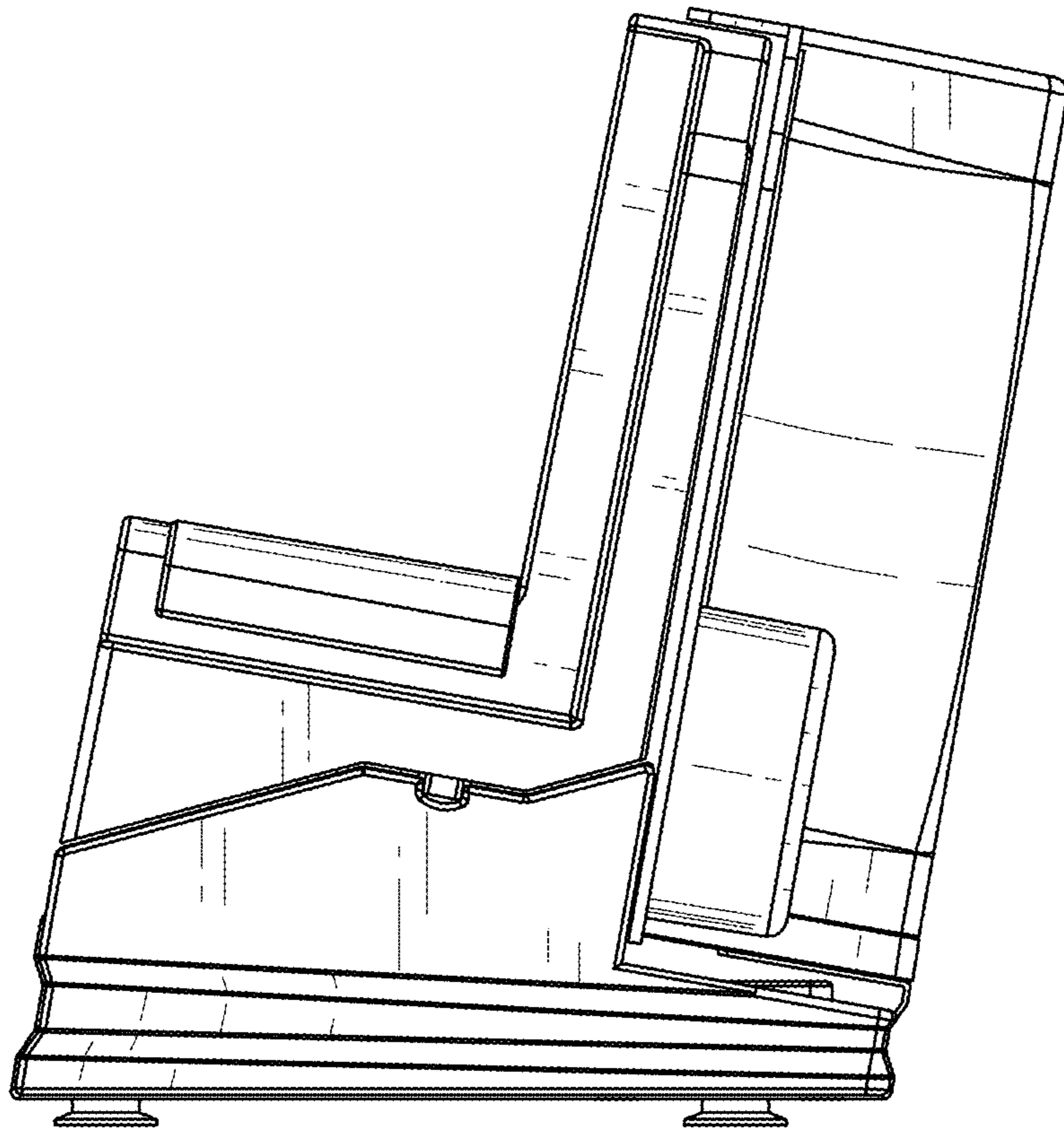


FIG. 4

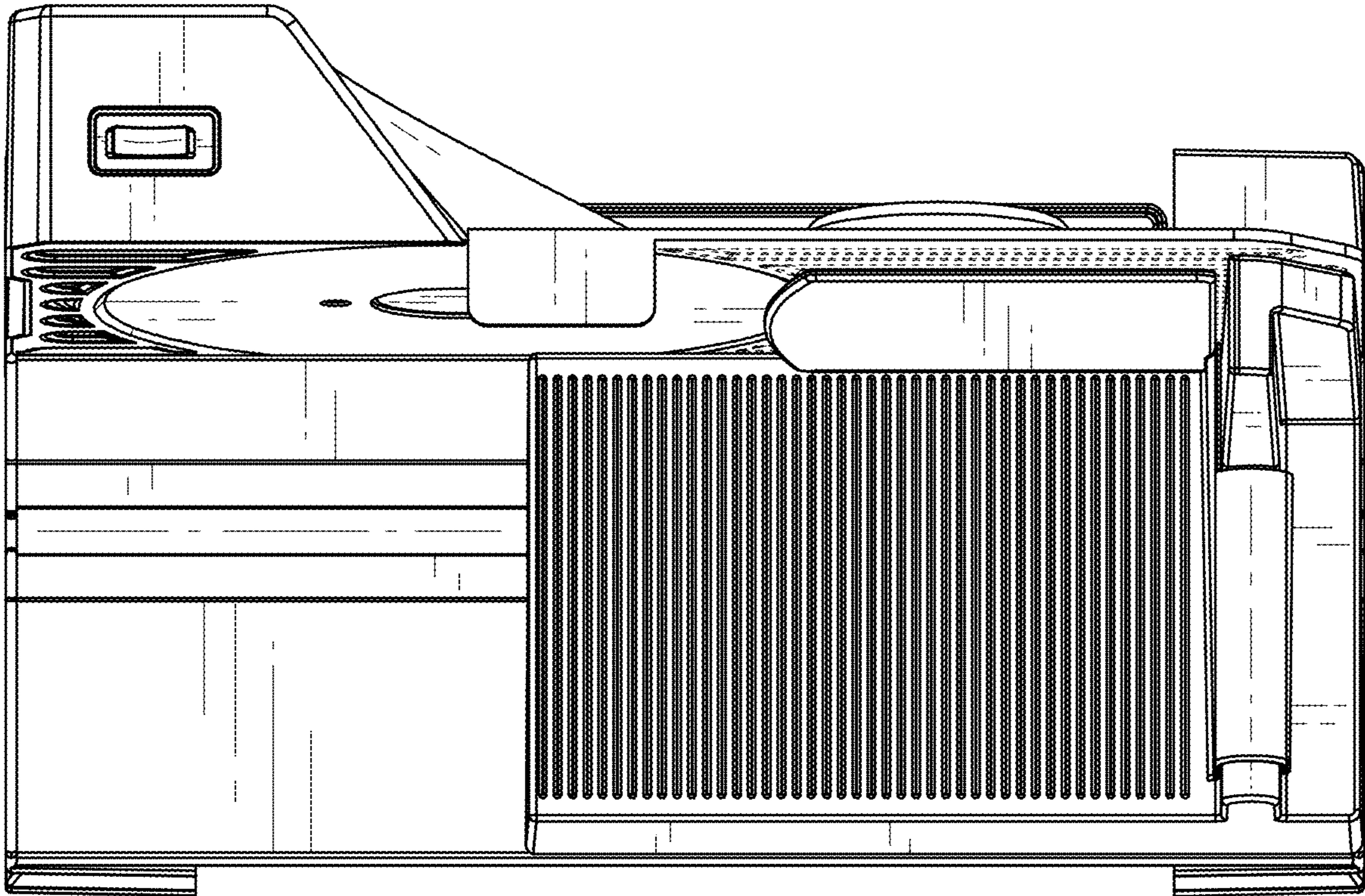


FIG. 5

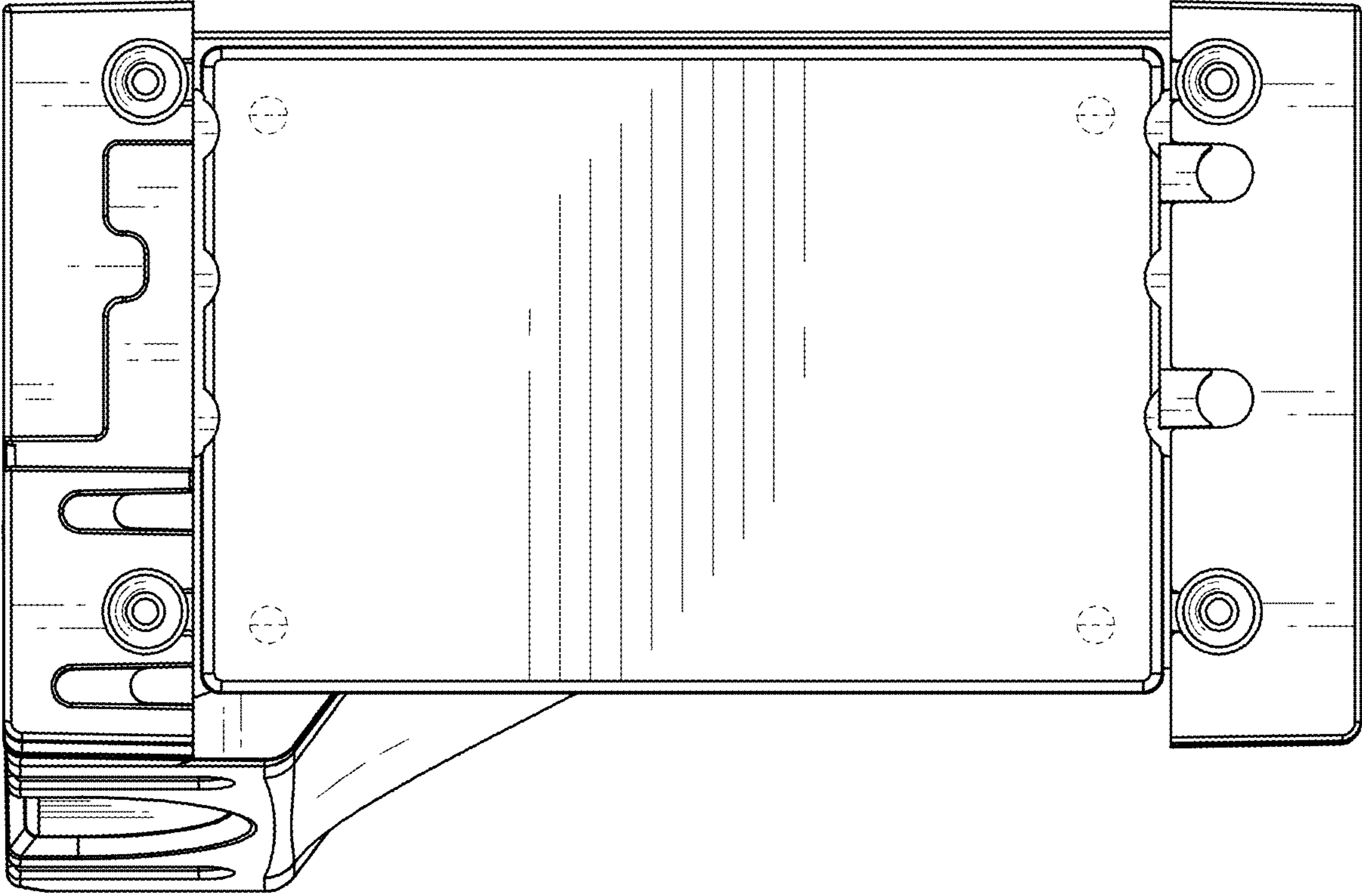


FIG. 6

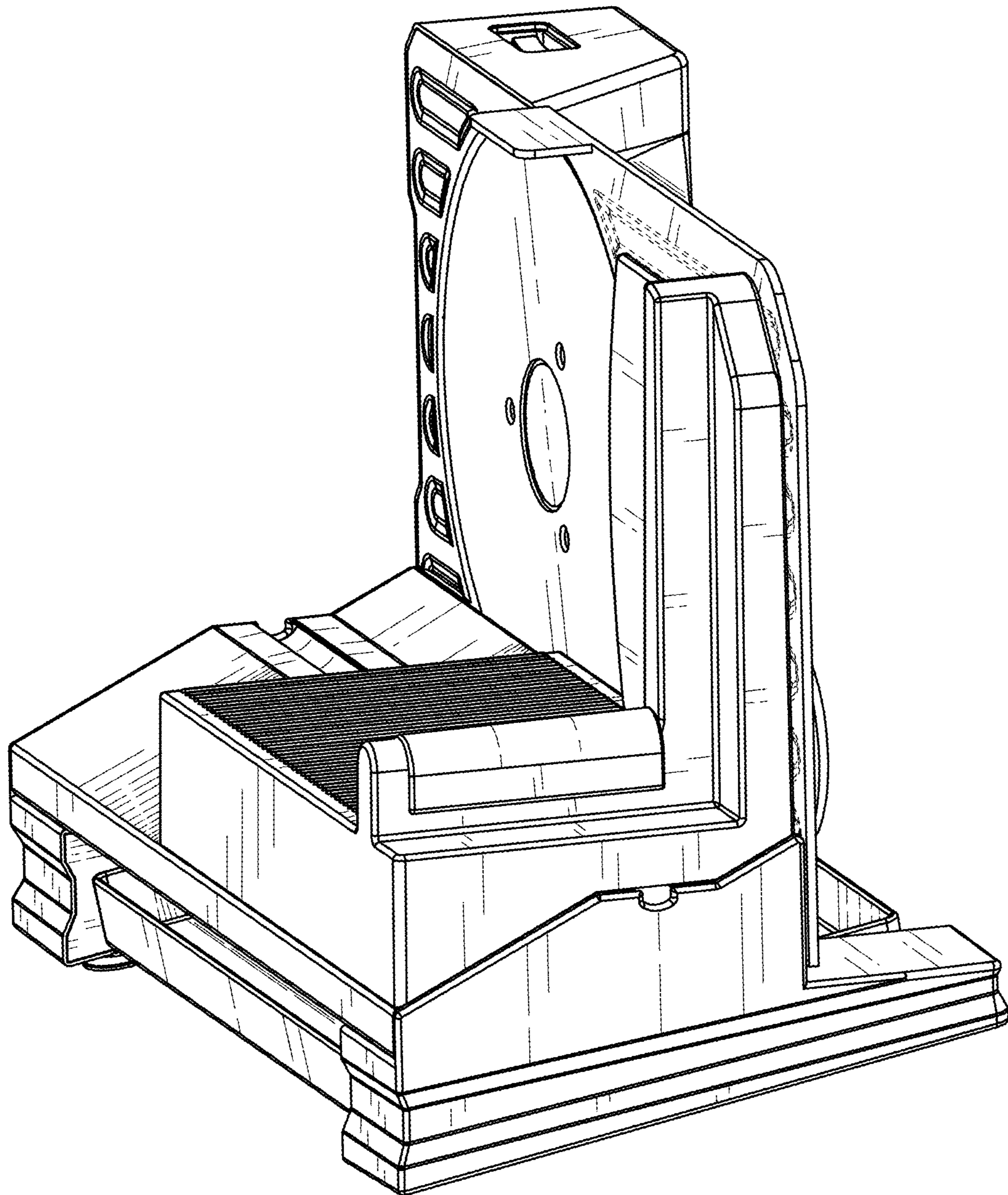


FIG. 7

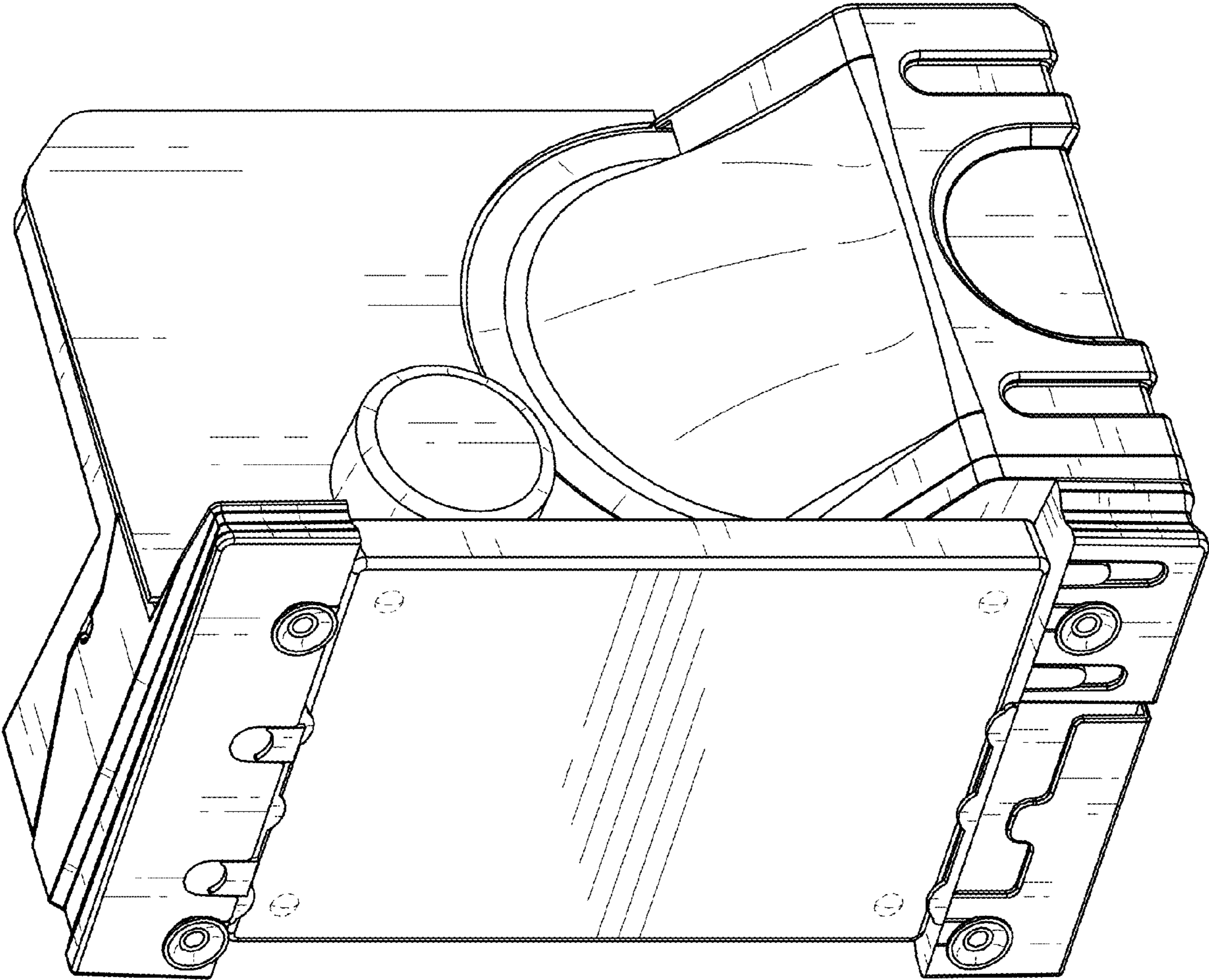


FIG. 8