



US00D914435S

(12) **United States Design Patent**  
**Upston et al.**

(10) **Patent No.:** **US D914,435 S**  
(45) **Date of Patent:** **\*\* Mar. 30, 2021**

(54) **COOKING APPLIANCE**

(71) Applicant: **Breville Pty Limited**, Alexandria (AU)

(72) Inventors: **Gregory Upston**, Alexandria (AU);  
**David Davenport**, Alexandria (AU);  
**Vyvyan Rose**, Alexandria (AU);  
**Richard Hoare**, Alexandria (AU)

(73) Assignee: **Breville Pty Limited**, Alexandria (AU)

(\*\*) Term: **15 Years**

(21) Appl. No.: **29/695,375**

(22) Filed: **Jun. 18, 2019**

(30) **Foreign Application Priority Data**

Feb. 4, 2019 (AU) ..... 201910572

(51) **LOC (13) Cl.** ..... **07-02**

(52) **U.S. Cl.**  
USPC ..... **D7/362; D7/354**

(58) **Field of Classification Search**  
USPC ..... D7/323, 354–363, 391, 393–396, 409;  
D13/107  
CPC ..... A01K 63/042; A47G 19/12; A47J 27/00;  
A47J 27/002; A47J 27/08; A47J 27/10;  
A47J 27/21; A47J 27/58; A47J 36/00;  
A47J 36/025; A47J 36/06; A47J 36/12;  
A47J 37/00; A47J 37/10; A47J 37/101;  
A47J 37/103; A47J 37/12; A47J 37/1204;  
A47J 45/061; A47J 45/071; A47J 45/08;  
G05B 15/02; H05B 1/0202; H05B 3/80;  
H05B 6/12

See application file for complete search history.

(56) **References Cited**

**U.S. PATENT DOCUMENTS**

5,336,401 A \* 8/1994 Tu ..... A01K 63/042  
119/261  
D748,052 S \* 1/2016 Behar ..... D13/107

D771,562 S \* 11/2016 Dolle ..... D13/107  
D853,776 S \* 7/2019 Xu ..... D7/354  
D853,777 S \* 7/2019 Van Den Nieuwenhuizen .....  
D7/354  
D862,154 S \* 10/2019 Van Den Nieuwenhuizen .....  
D7/362

(Continued)

**FOREIGN PATENT DOCUMENTS**

EM 002327684-0002 10/2013

*Primary Examiner* — Ricky Pham

(74) *Attorney, Agent, or Firm* — Moser Taboada

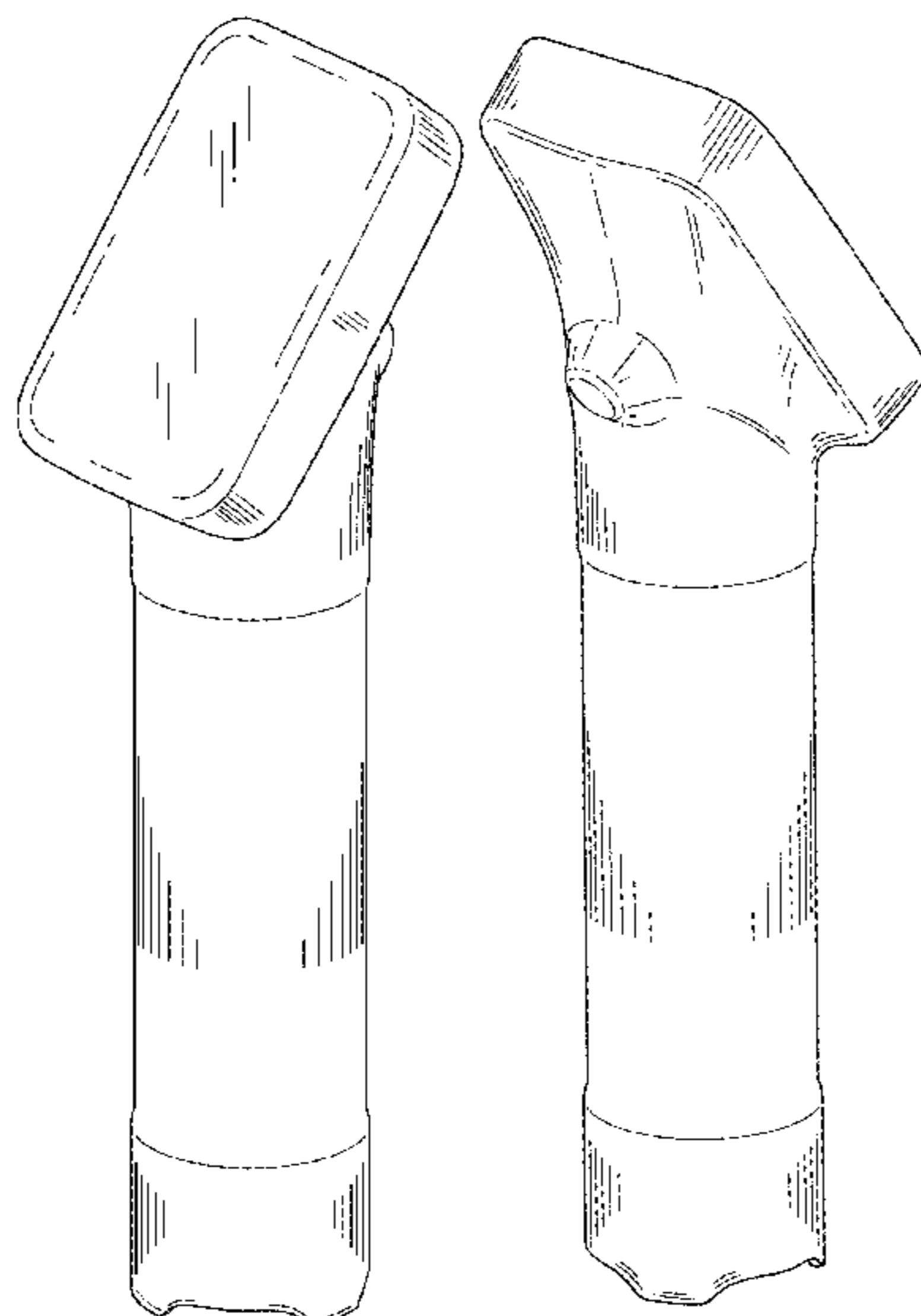
(57) **CLAIM**

The ornamental design for a cooking appliance, as shown and described.

**DESCRIPTION**

FIG. 1 is a front perspective view embodying the new design of a cooking appliance, according to a first embodiment; FIG. 2 is a rear perspective view of the design shown in FIG. 1;  
FIG. 3 is a left side view of the design shown in FIG. 1; FIG. 4 is a front view of the design shown in FIG. 1; FIG. 5 is a right side of the design shown in FIG. 1; FIG. 6 is a rear view of the design shown in FIG. 1; FIG. 7 is a top view of the design shown in FIG. 1; FIG. 8 is a bottom view of the design shown in FIG. 1; FIG. 9 is a front perspective view embodying the new design of a cooking appliance, according to a second embodiment; FIG. 10 is a rear perspective view of the design shown in FIG. 9;  
FIG. 11 is a left side view of the design shown in FIG. 9; FIG. 12 is a front view of the design shown in FIG. 9; FIG. 13 is a right side view of the design shown in FIG. 9; FIG. 14 is a rear view of the design shown in FIG. 9; FIG. 15 is a top view of the design shown in FIG. 9; and, FIG. 16 is a bottom view of the design shown in FIG. 9.

**1 Claim, 16 Drawing Sheets**



(56)

**References Cited**

U.S. PATENT DOCUMENTS

2015/0082996 A1\* 3/2015 Wu ..... G05B 15/02  
99/342  
2016/0022085 A1\* 1/2016 Wu ..... H05B 3/80  
99/330  
2016/0209077 A1\* 7/2016 Wu ..... H05B 3/80  
2017/0245673 A1\* 8/2017 Peng ..... A47J 36/00  
2018/0344069 A1\* 12/2018 Chan ..... A47J 27/10  
2020/0297143 A1\* 9/2020 Upston ..... H05B 1/0202  
2020/0323381 A1\* 10/2020 Messier ..... A47J 27/10

\* cited by examiner

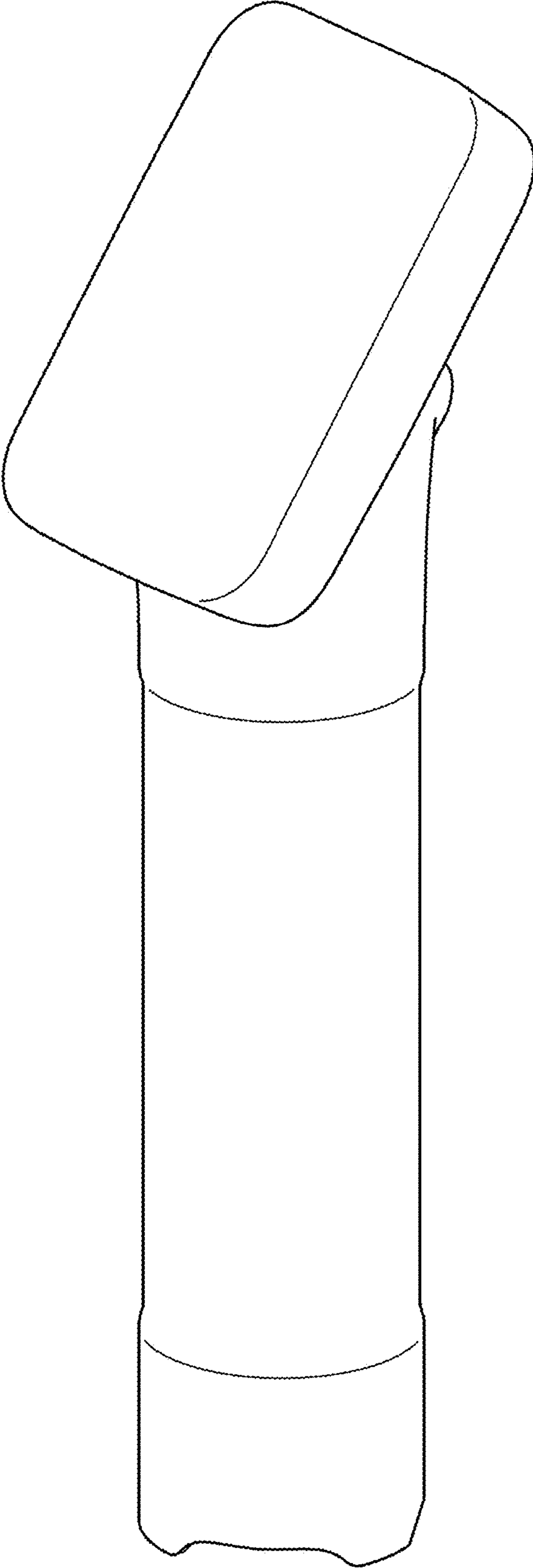


FIG. 1

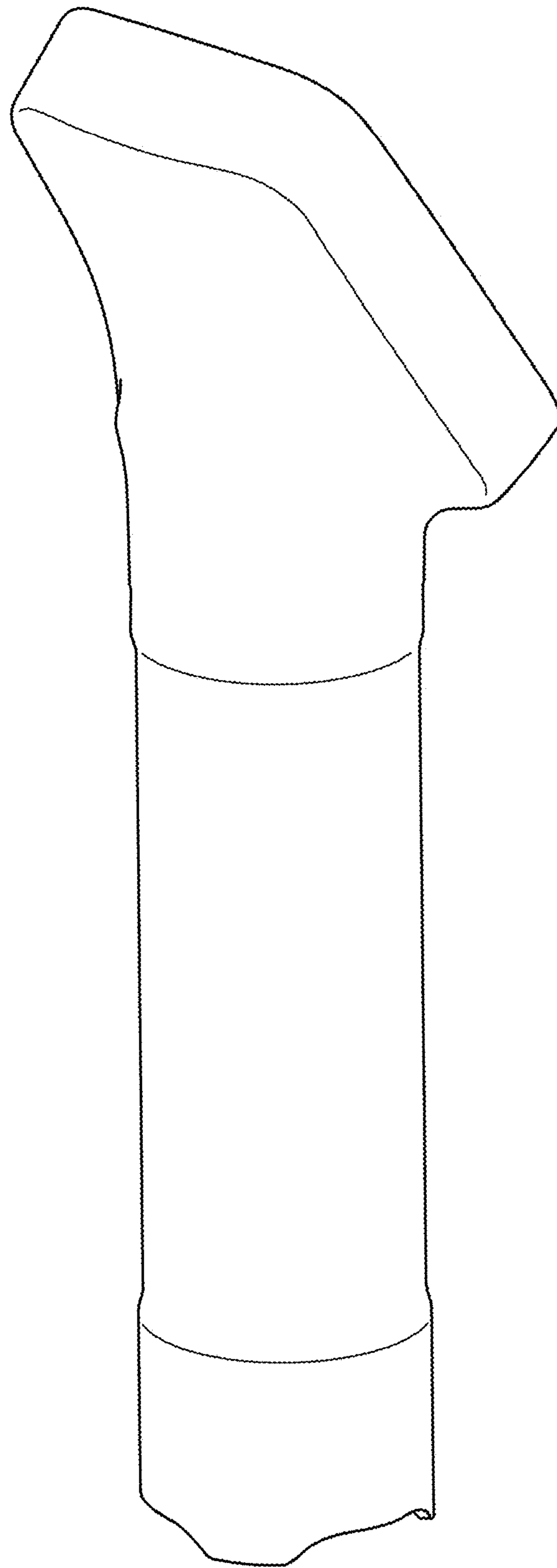


FIG. 2

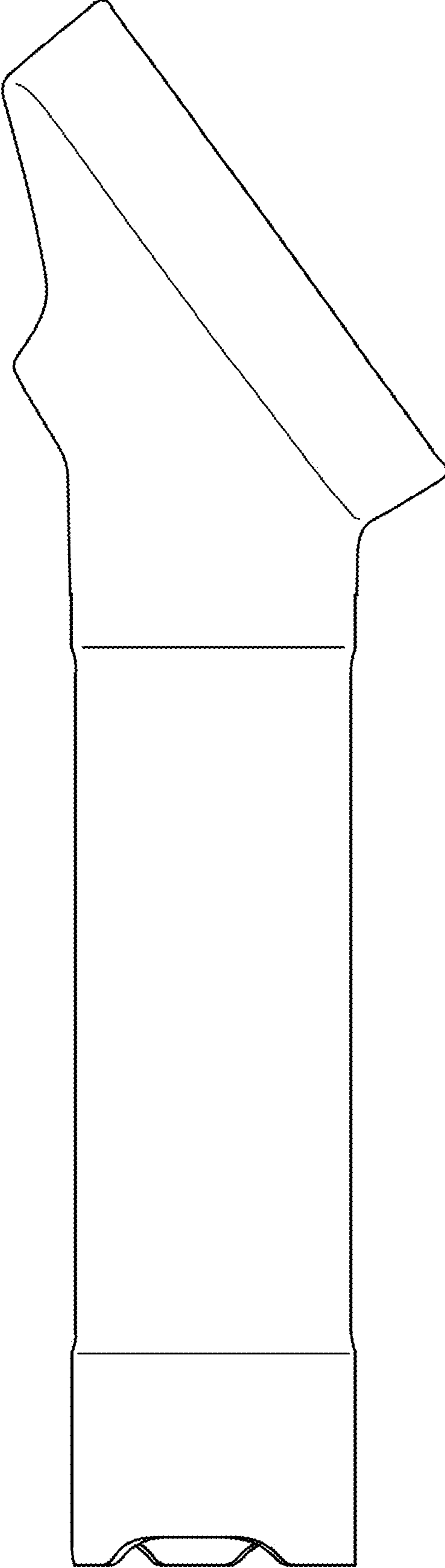


FIG. 3

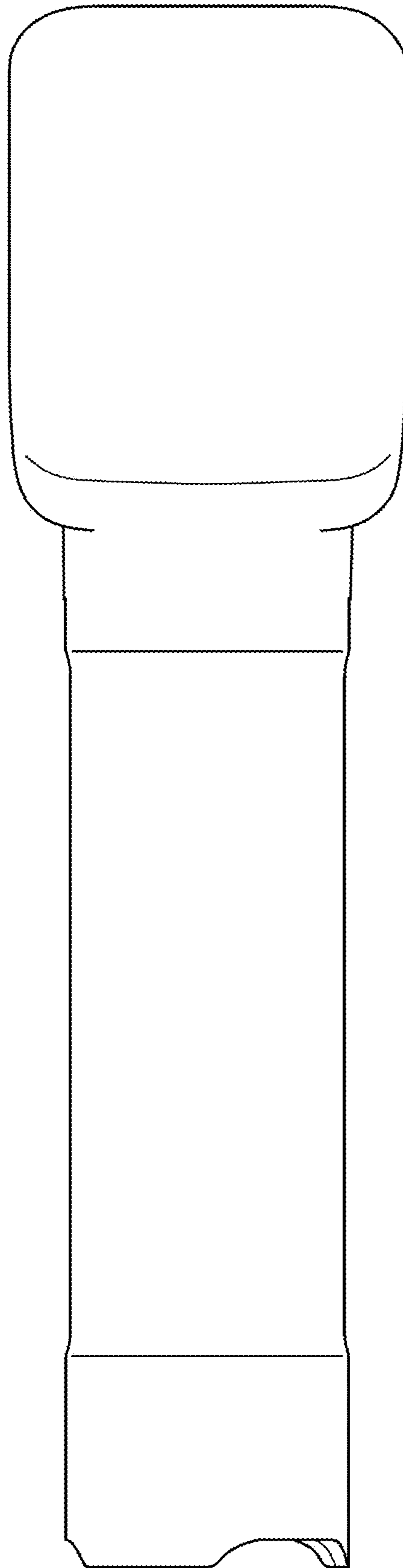


FIG. 4

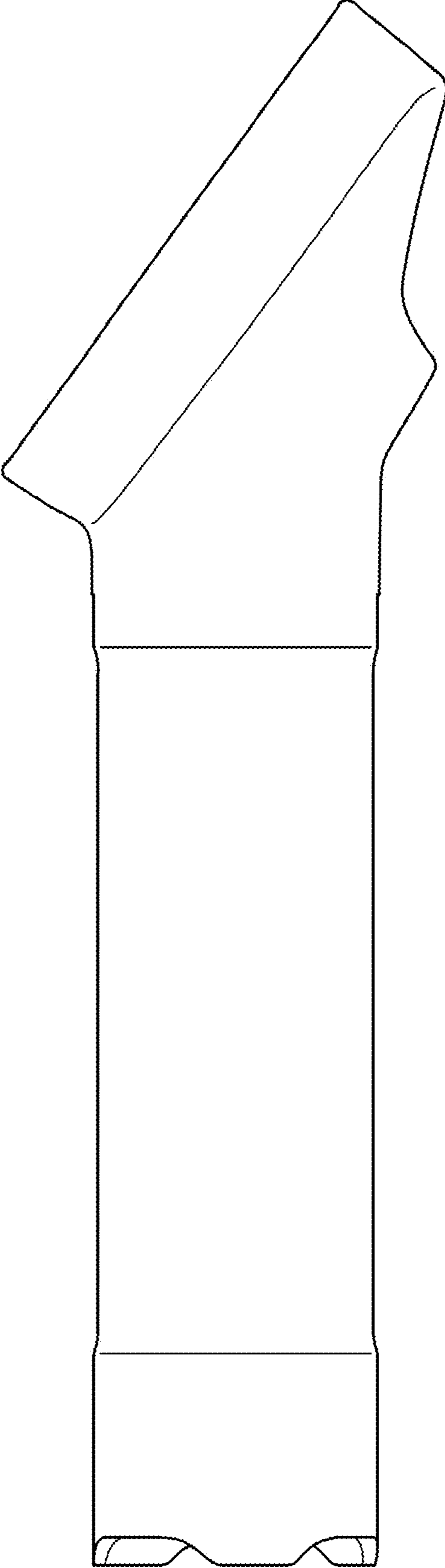


FIG. 5

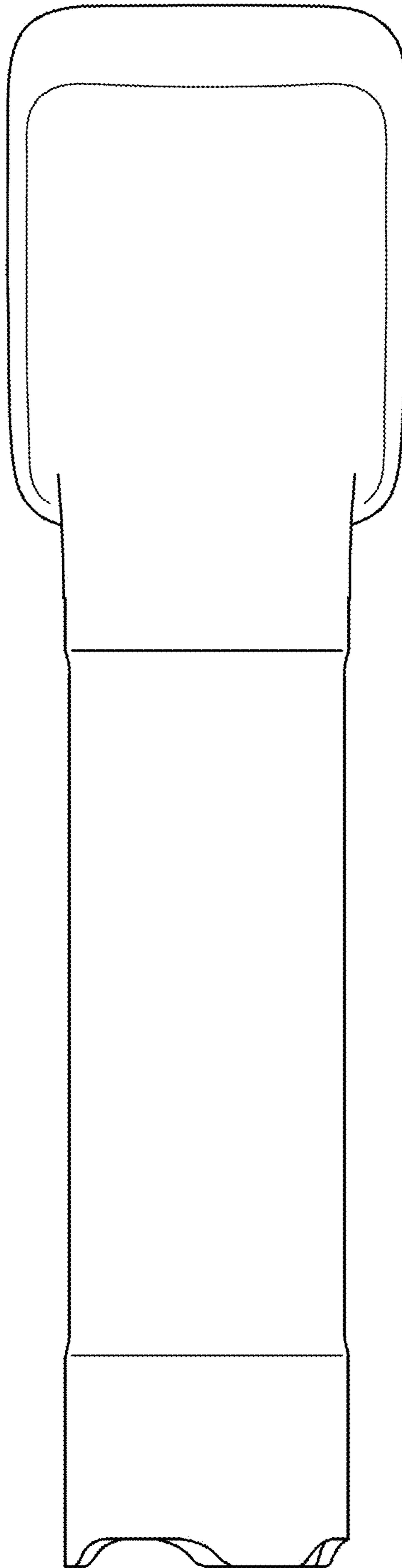


FIG. 6



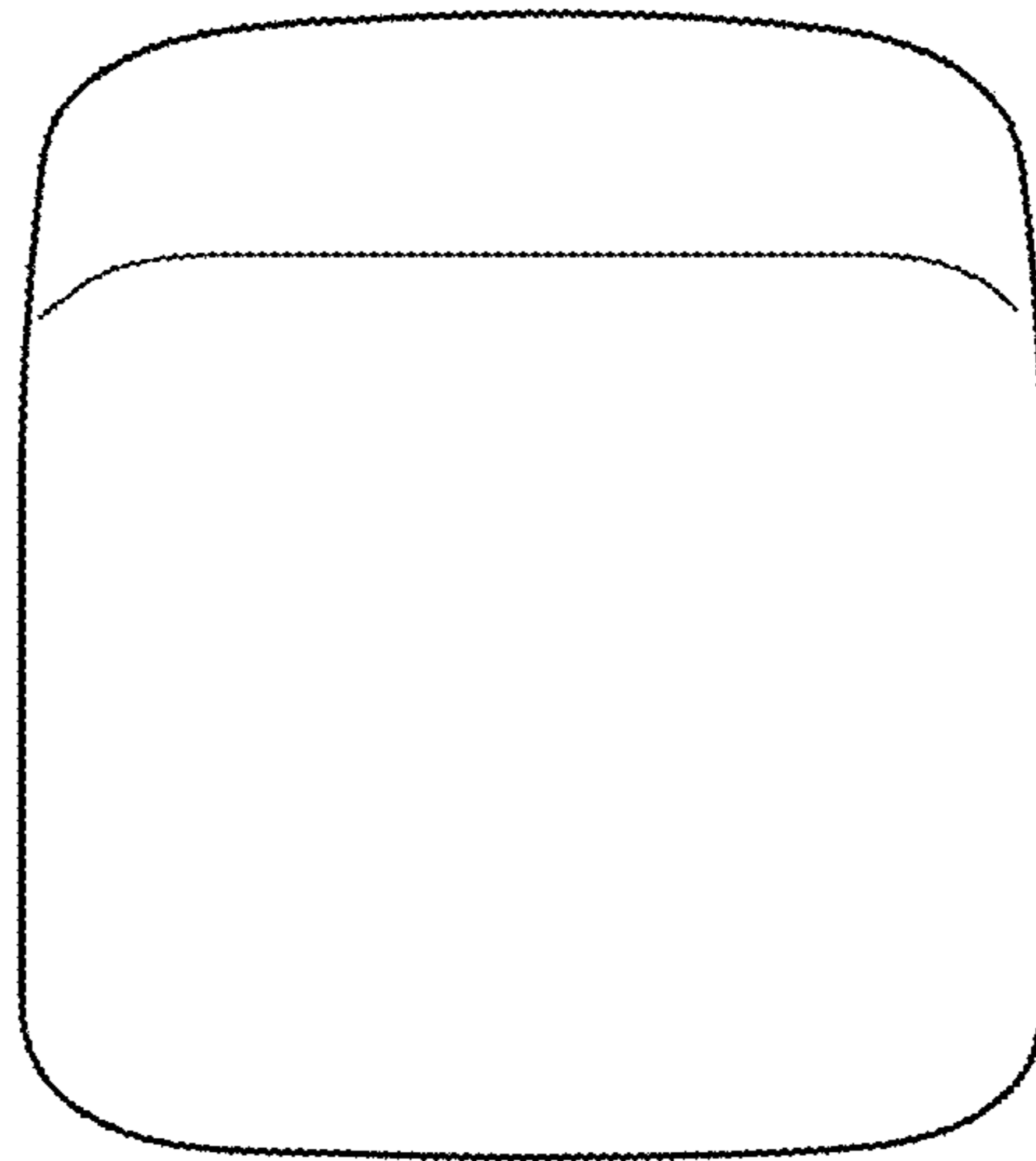


FIG. 7

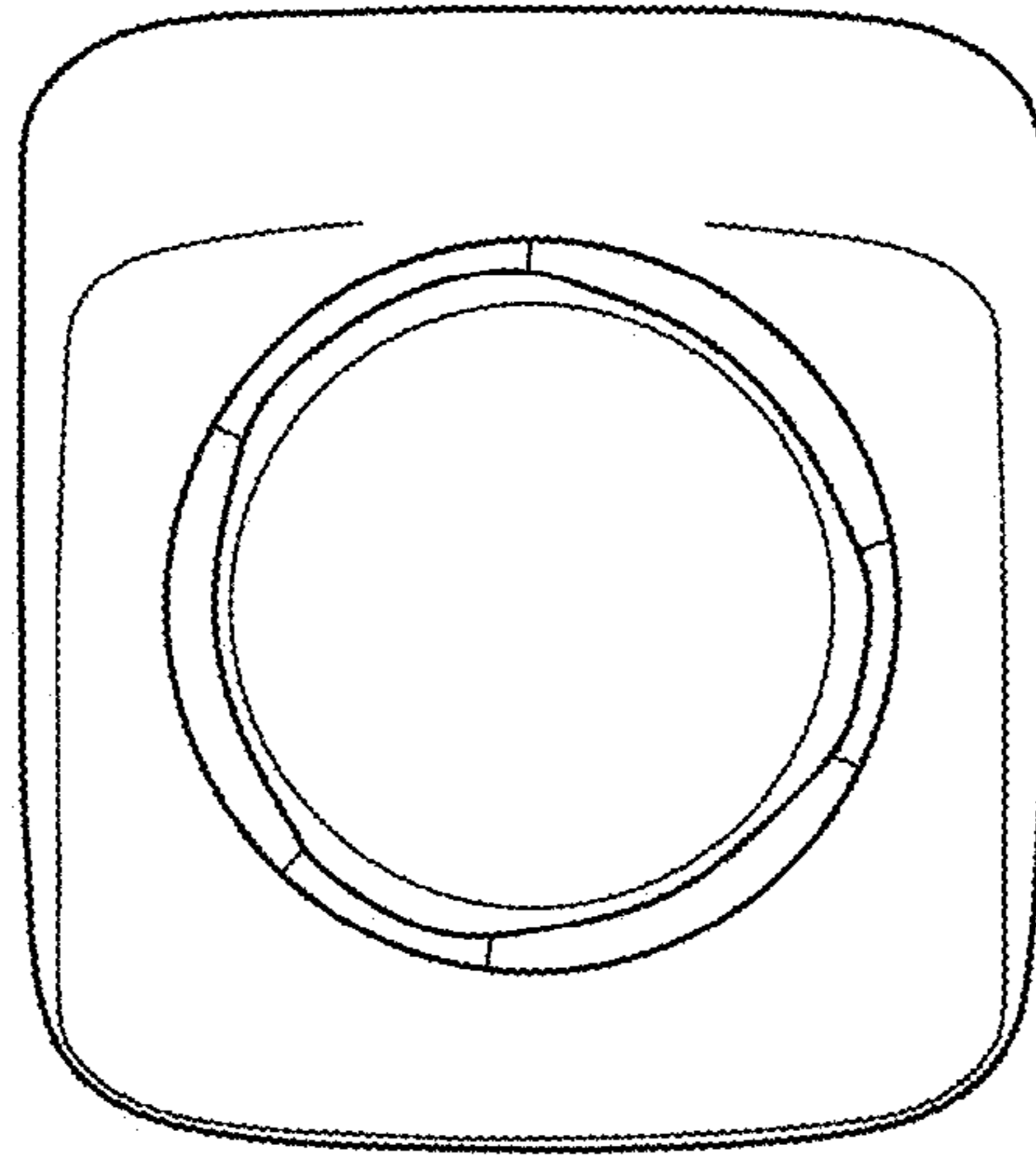


FIG. 8

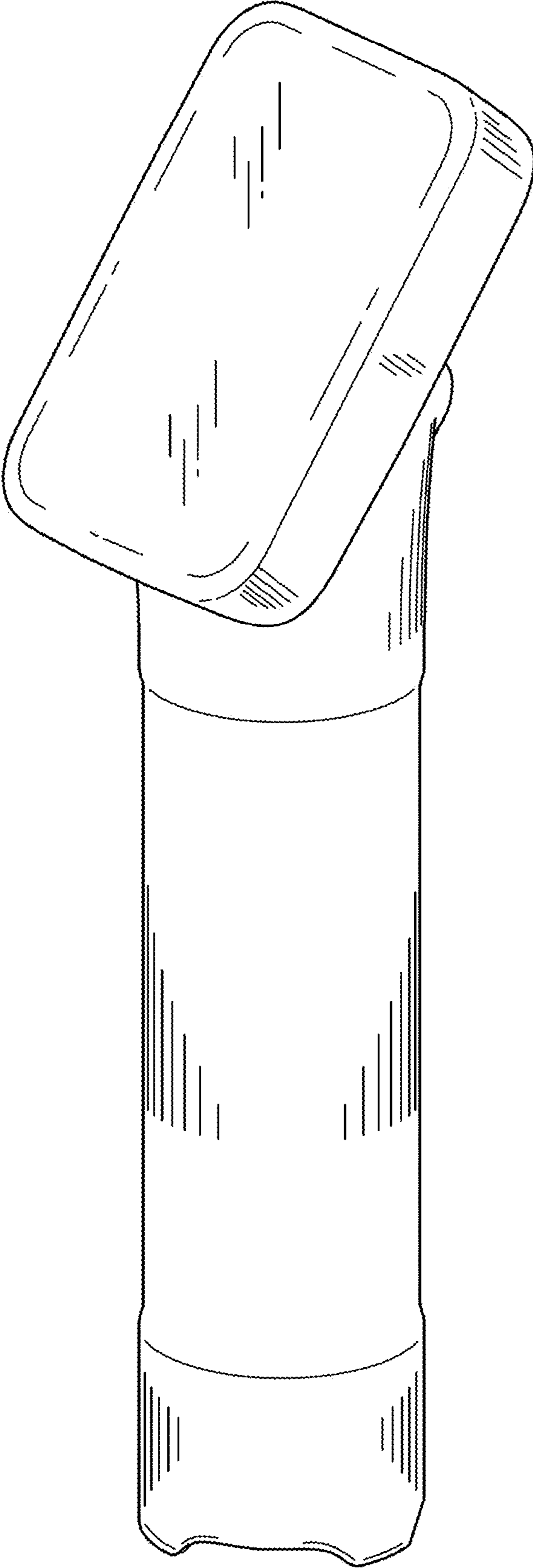


FIG. 9

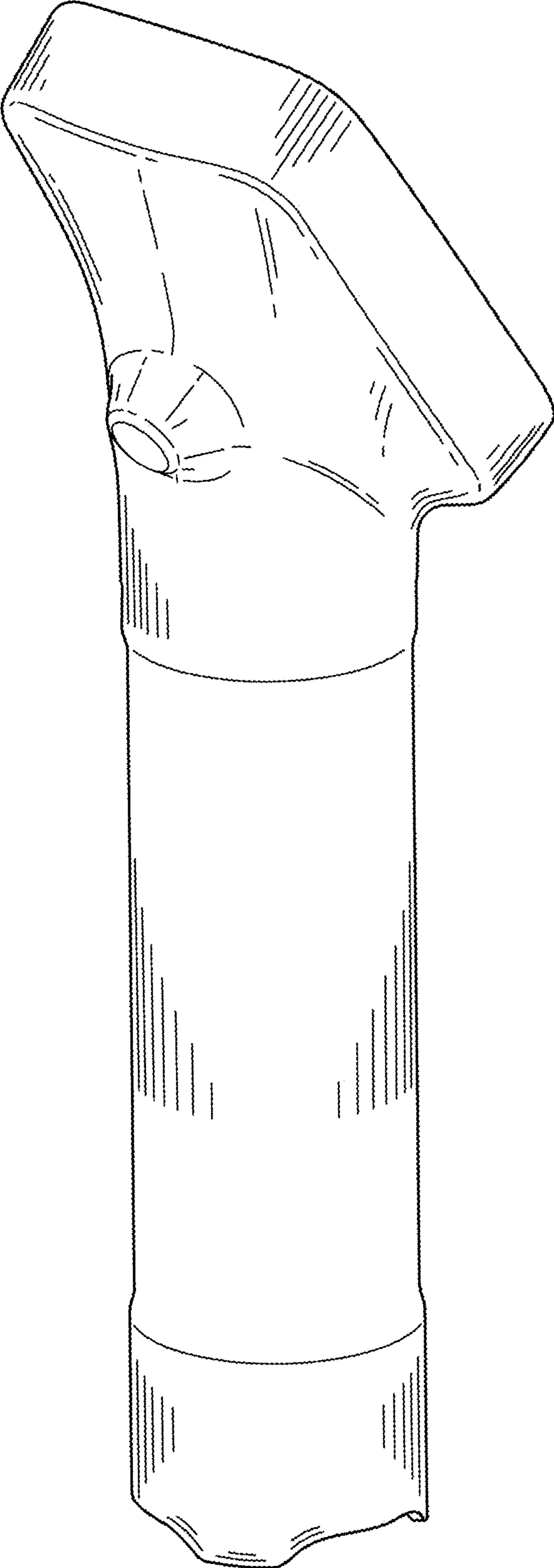


FIG. 10

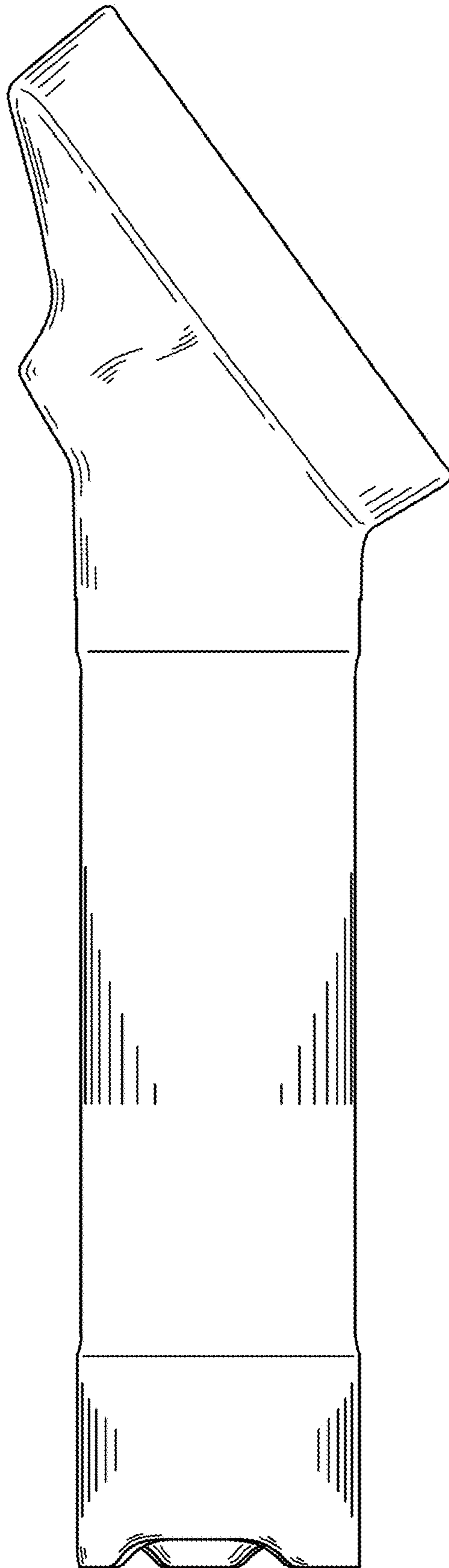


FIG. 11

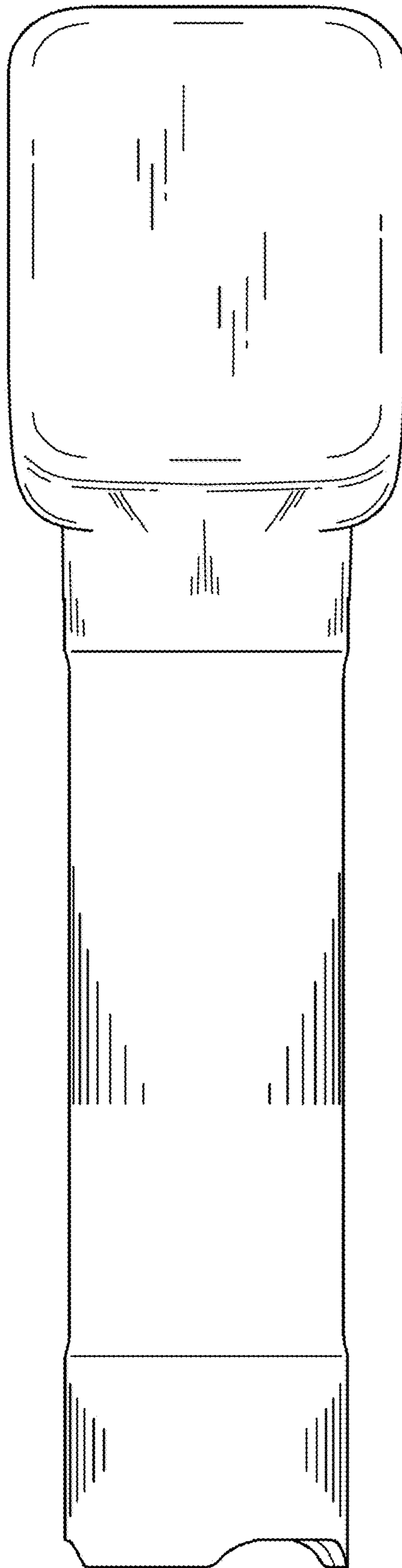


FIG. 12

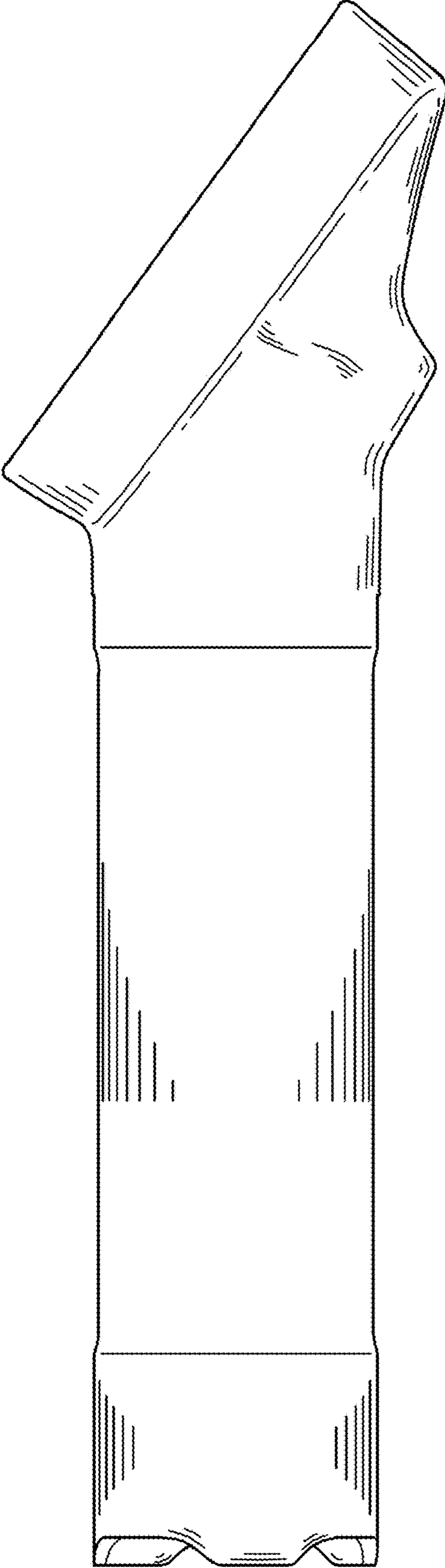


FIG. 13

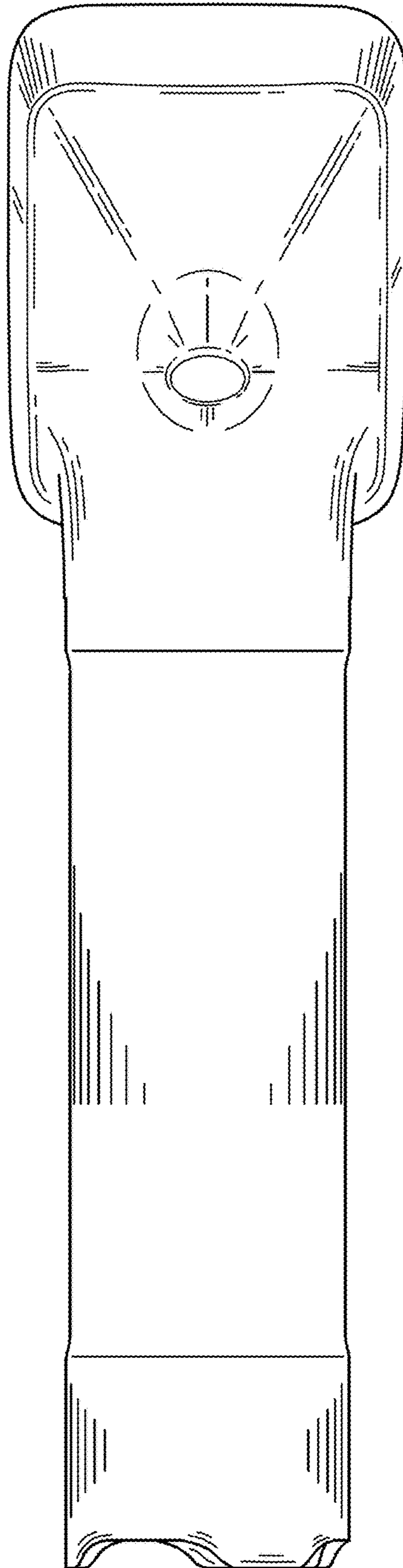


FIG. 14



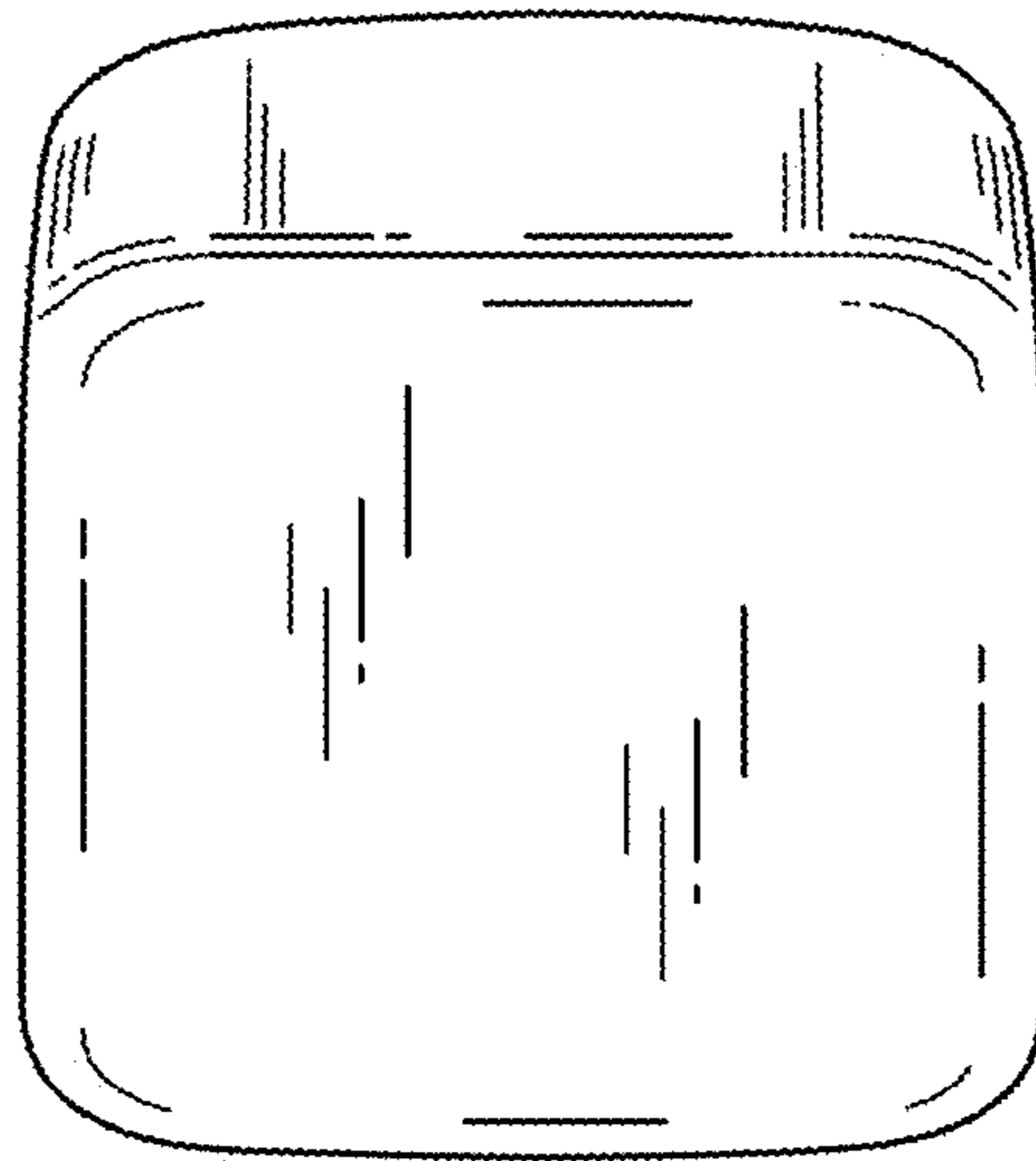


FIG. 15

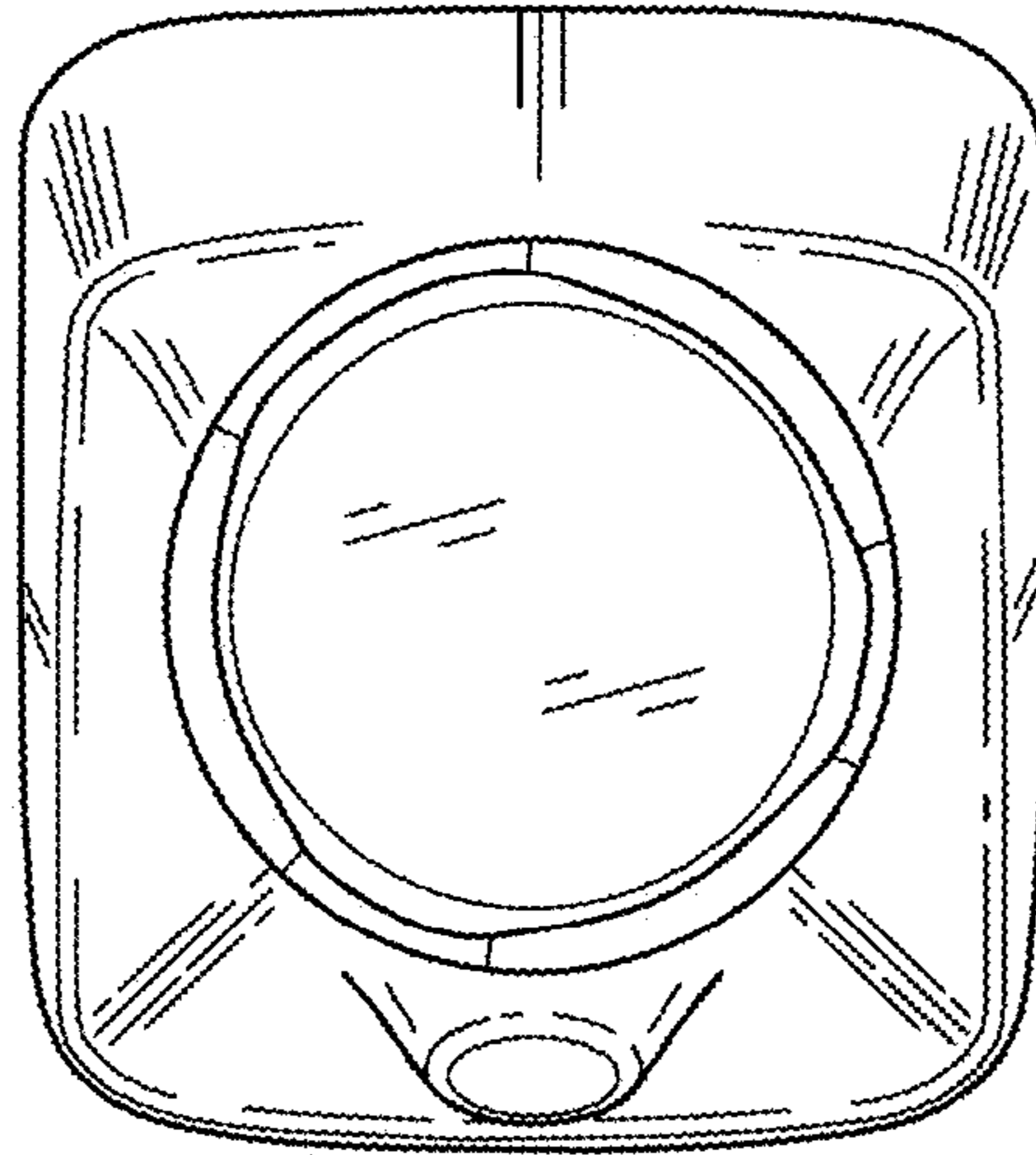


FIG. 16