



US00D914434S

(12) **United States Design Patent** (10) **Patent No.:** **US D914,434 S**
Landig (45) **Date of Patent:** **** Mar. 30, 2021**

(54) **FRYING PAN**
(71) Applicant: **Landig + Lava GmbH & Co. KG**,
Bad Saulgau (DE)
(72) Inventor: **Christian Landig**, Berg (DE)
(73) Assignee: **LANDIG + LAVA GmbH & Co. KG**,
Bad Saulgau (DE)
(**) Term: **15 Years**
(21) Appl. No.: **35/508,137**
(22) Filed: **Oct. 17, 2019**
(80) **Hague Agreement Data**
Int. Filing Date: **Oct. 17, 2019**
Int. Reg. No.: **DM/204694**
Int. Reg. Date: **Oct. 17, 2019**
Int. Reg. Pub. Date: **Dec. 20, 2019**

(30) **Foreign Application Priority Data**
Apr. 17, 2019 (WO) 006379467-0001
(51) **LOC (13) Cl.** **07-02**
(52) **U.S. Cl.**
USPC **D7/359**
(58) **Field of Classification Search**
USPC D7/323, 354-363, 391, 393-396, 409,
D7/587
CPC A47G 19/12; A47J 27/00; A47J 27/002;
A47J 27/08; A47J 27/21; A47J 27/58;
A47J 36/025; A47J 36/06; A47J 36/12;
A47J 37/00; A47J 37/10; A47J 37/101;
A47J 37/103; A47J 37/12; A47J 37/1204;
A47J 45/061; A47J 45/071; A47J 45/08;
B23K 31/02; H05B 6/12
See application file for complete search history.

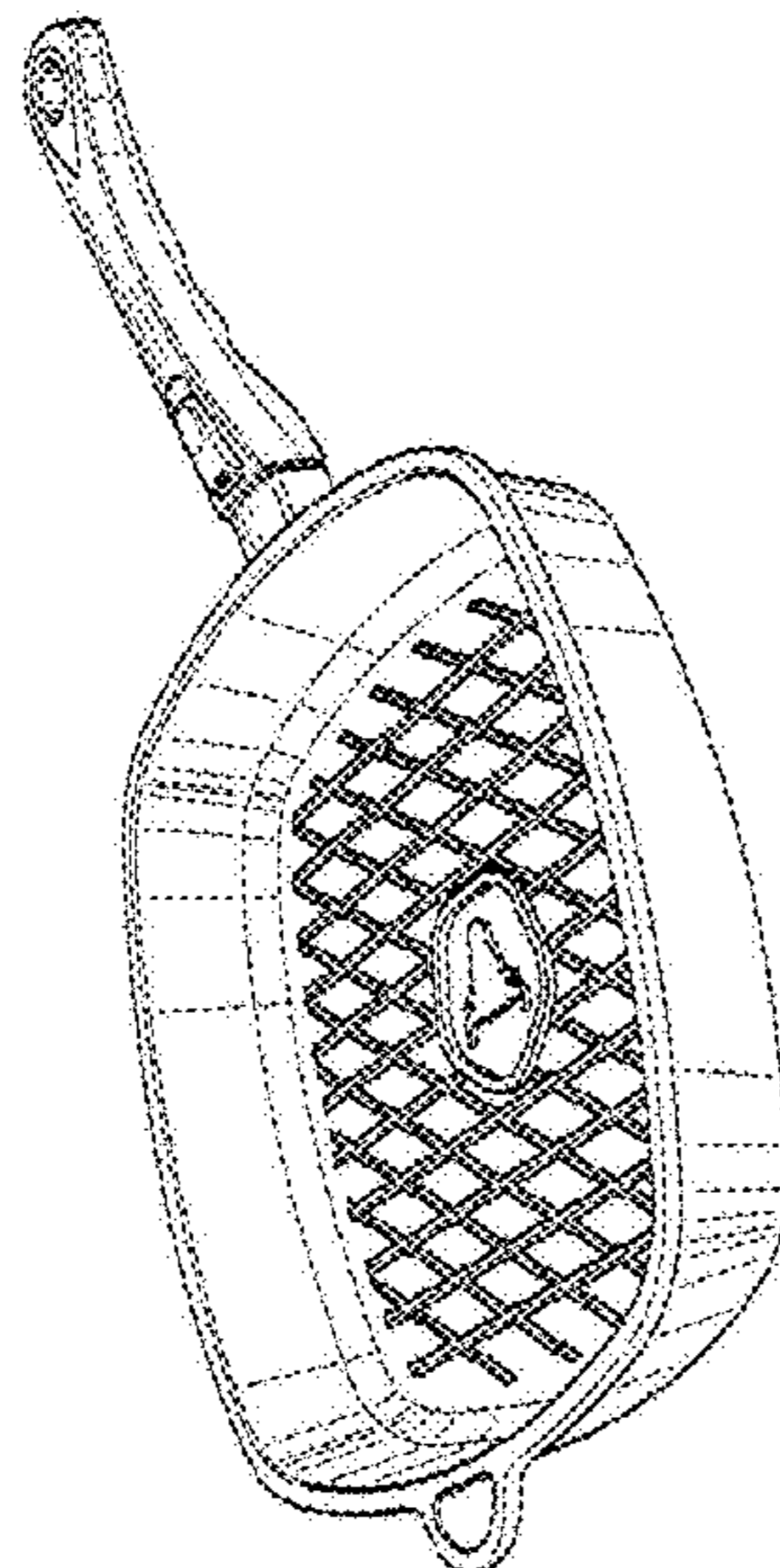
(56) **References Cited**
U.S. PATENT DOCUMENTS
D297,604 S * 9/1988 Hagberg D7/359
6,523,460 B1 * 2/2003 Lange A47J 37/108
99/340
D498,640 S * 11/2004 Kloppsteck D7/361
D623,013 S * 9/2010 Alden A47J 37/108
D7/409
D711,185 S * 8/2014 Bowden D7/360
D751,333 S * 3/2016 Moehl D7/359
D766,647 S * 9/2016 Calkins D7/359
D772,641 S * 11/2016 Mirchandani D7/360
D774,349 S * 12/2016 Zemel D7/354
D820,032 S * 6/2018 Mirchandani D7/360
D828,714 S * 9/2018 Nagrani D7/361
D850,202 S * 6/2019 Khalaj D7/412
D883,731 S * 5/2020 Tsai D7/359
D894,666 S * 9/2020 Tsai D7/359
(Continued)

OTHER PUBLICATIONS
Screenshot: Dry Ager Steak Pan. Undated; one page. Found online
Nov. 17, 2020 at <https://www.dry-ager.com/en/shop/the-steak-pan/>
(Year: 2020).*
(Continued)

Primary Examiner — Robert M. Spear
(74) *Attorney, Agent, or Firm* — Breneman & Georges
(57) **CLAIM**
The ornamental design for a frying pan, as shown and
described.

DESCRIPTION
1. Frying pan
1.1 - Perspective
1.2 - Right side
1.3 - Left side
1.4 - Top
1.5 - Bottom
1.6 - Front
1.7 - Rear

1 Claim, 7 Drawing Sheets



(56)

References Cited

U.S. PATENT DOCUMENTS

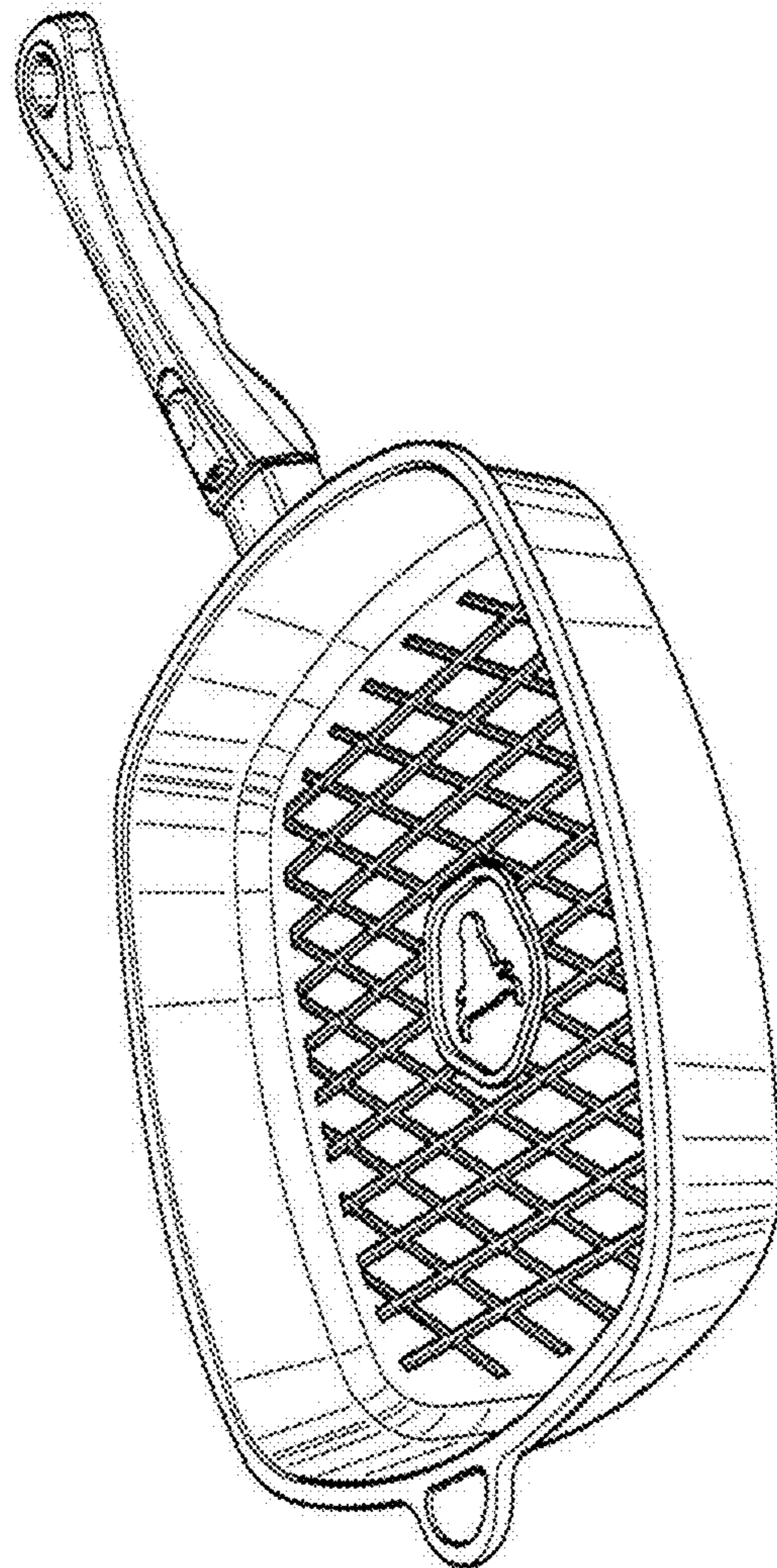
D894,667 S * 9/2020 Tsai D7/359

OTHER PUBLICATIONS

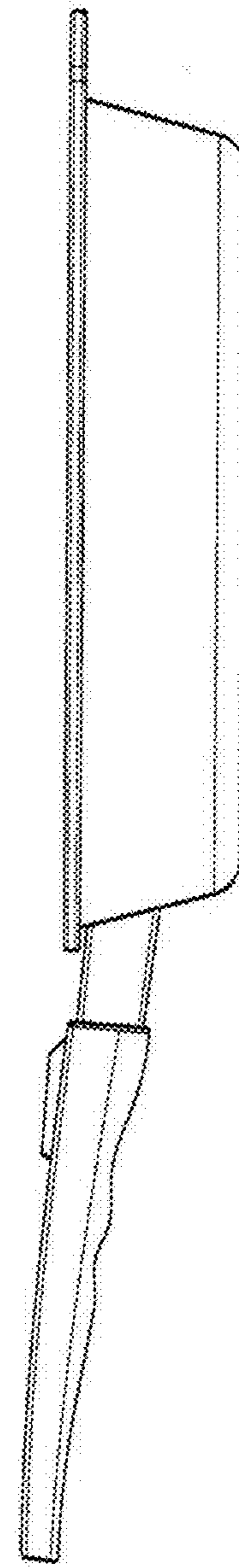
Screenshot: Dry Ager Facebook page. May 27, 2019; one page.
Found online Nov. 17, 2020 at https://www.facebook.com/permalink.php?id=287284801395914&story_fbid=1089467397844313 (Year: 2019).*

* cited by examiner

1.1



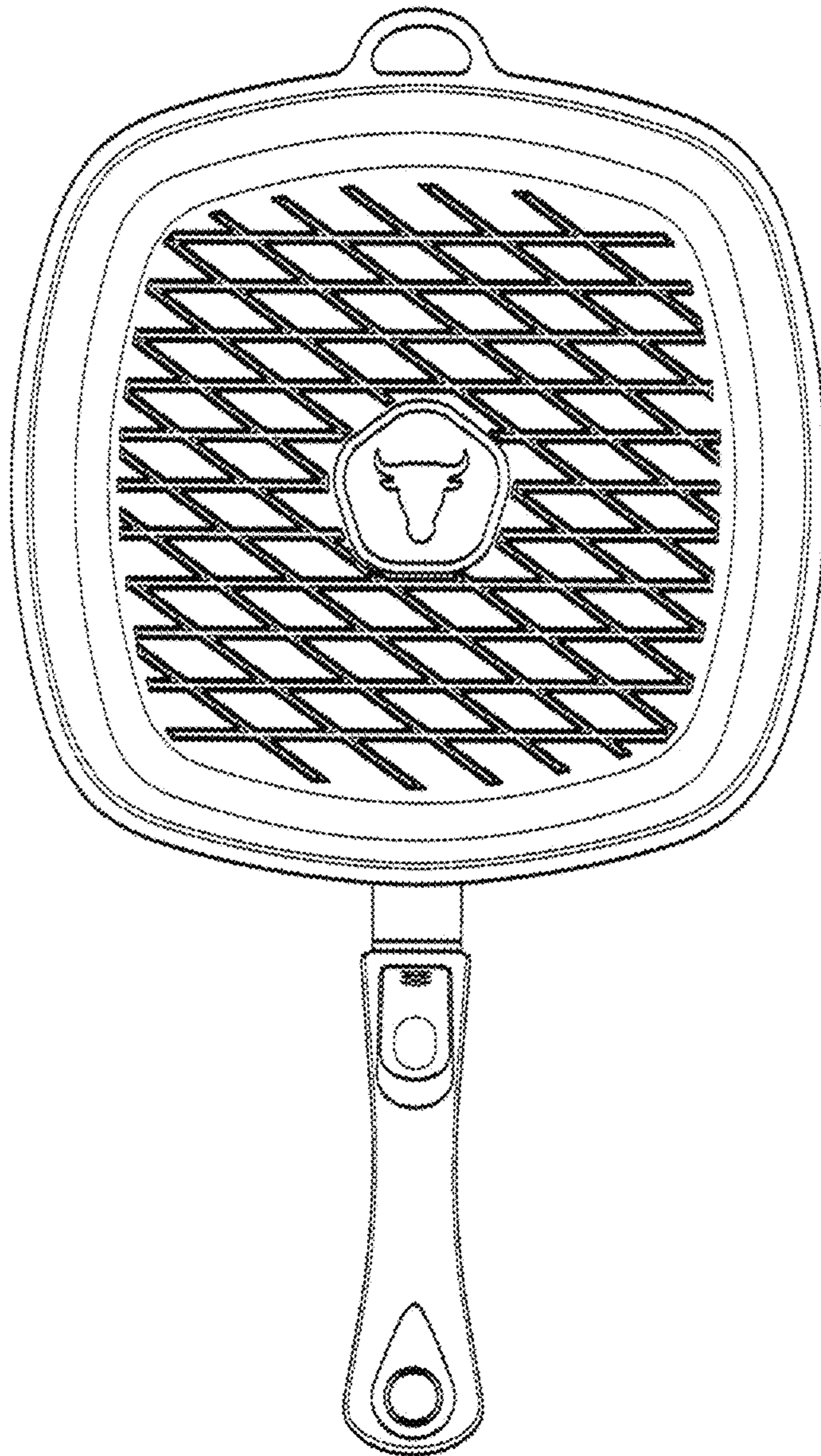
1.2



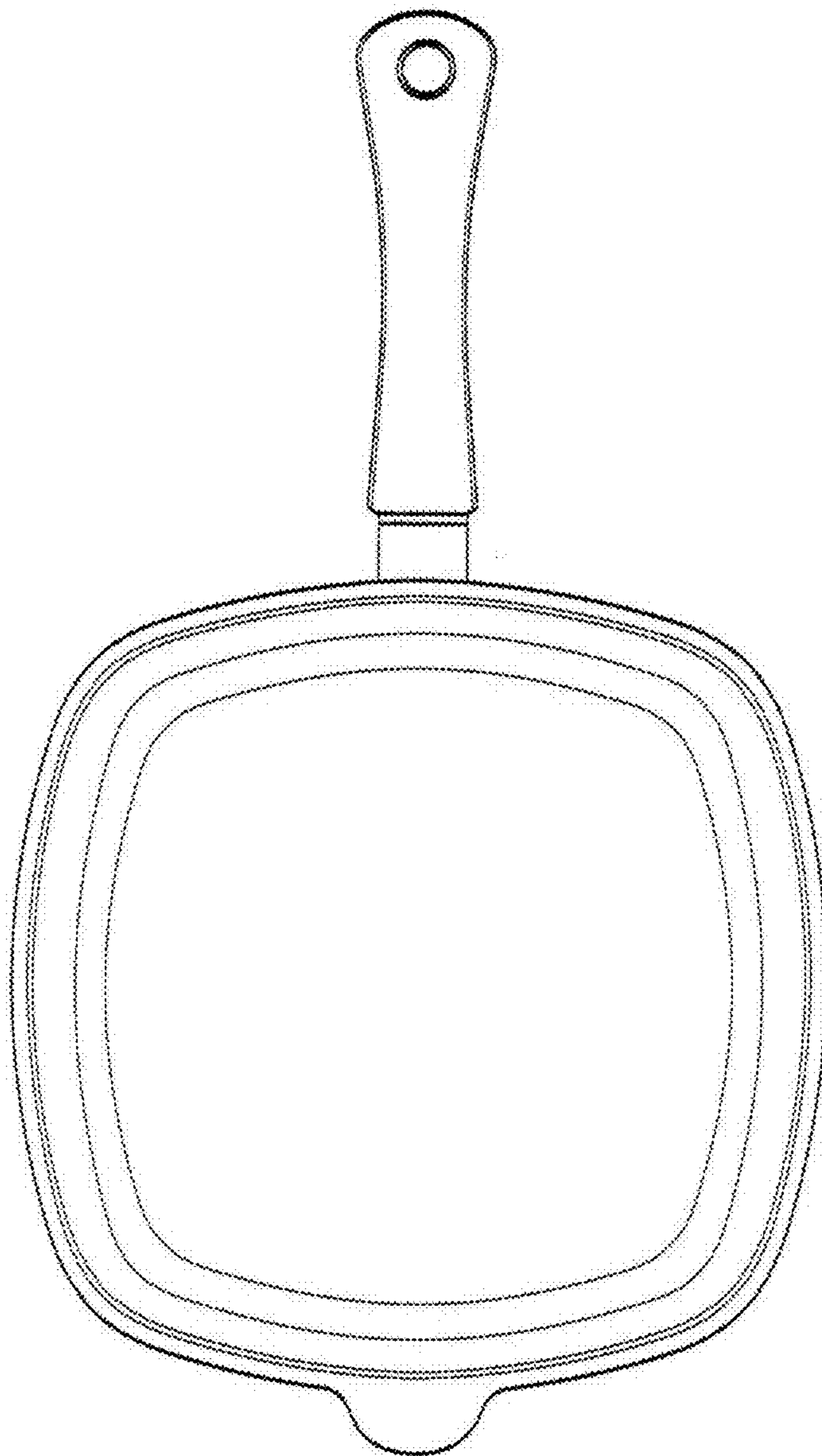
1.3



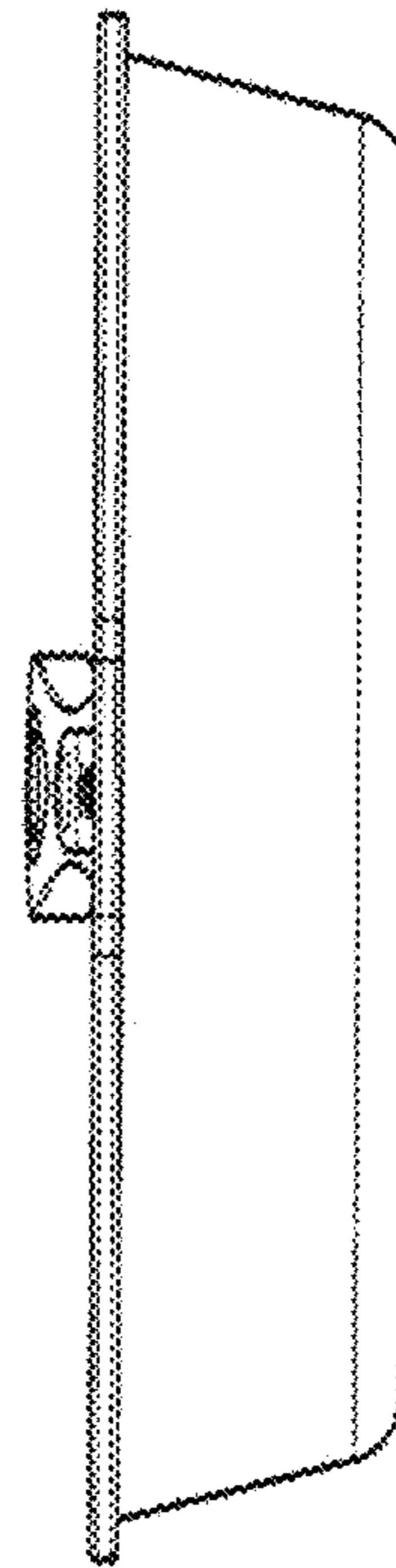
1.4



1.5



1.6



1.7

