



US00D914433S

(12) **United States Design Patent** (10) **Patent No.:** **US D914,433 S**
Chung (45) **Date of Patent:** **** Mar. 30, 2021**

(54) **BARBECUE GRILL**
(71) Applicant: **Kiosky Chung**, Taichung (TW)
(72) Inventor: **Kiosky Chung**, Taichung (TW)
(**) Term: **15 Years**

D675,862 S * 2/2013 Bodum D7/337
D677,107 S * 3/2013 Chung D7/337
D677,512 S * 3/2013 Bodum D7/337
8,783,242 B1 * 7/2014 Banas A47J 37/079
126/25 B

(Continued)

(21) Appl. No.: **29/676,758**
(22) Filed: **Jan. 14, 2019**
(51) **LOC (13) Cl.** **07-02**
(52) **U.S. Cl.**
USPC **D7/337**
(58) **Field of Classification Search**
USPC D7/332-338, 402-409, 355, 356, 360,
D7/362, 364, 365, 366, 363, 352, 350.1;
D23/343, 348, 332, 335, 314, 345, 415;
D3/294-296, 276, 905; 126/40
CPC A47J 37/07-0763; A47J 37/0781; A47J
37/0786; A47J 2037/0777; A47J 33/00;
A47J 2201/00; A47J 36/26; F24C 3/14;
F24C 1/16; F24C 5/20; F24B 1/181;
F24B 1/19; F24B 1/195; F24B 1/00;
F24B 1/202-207; F24B 3/00; F23B
20/00; F23D 14/28
See application file for complete search history.

FOREIGN PATENT DOCUMENTS

EM 001997115-0001 * 2/2012
KR 300669765.0000 * 11/2012
WO D087114-001 * 8/2015

OTHER PUBLICATIONS

Cuisinart CCG190, Oct. 26, 2016, Amazon, <https://www.amazon.com/Cuisinart-CCG-190-Portable-Charcoal-14-Inch/dp/B00B58A0QK> (Year: 2016).*

Primary Examiner — Brett Miller

(57) **CLAIM**

I claim the ornamental design for a barbecue grill, as shown and described.

DESCRIPTION

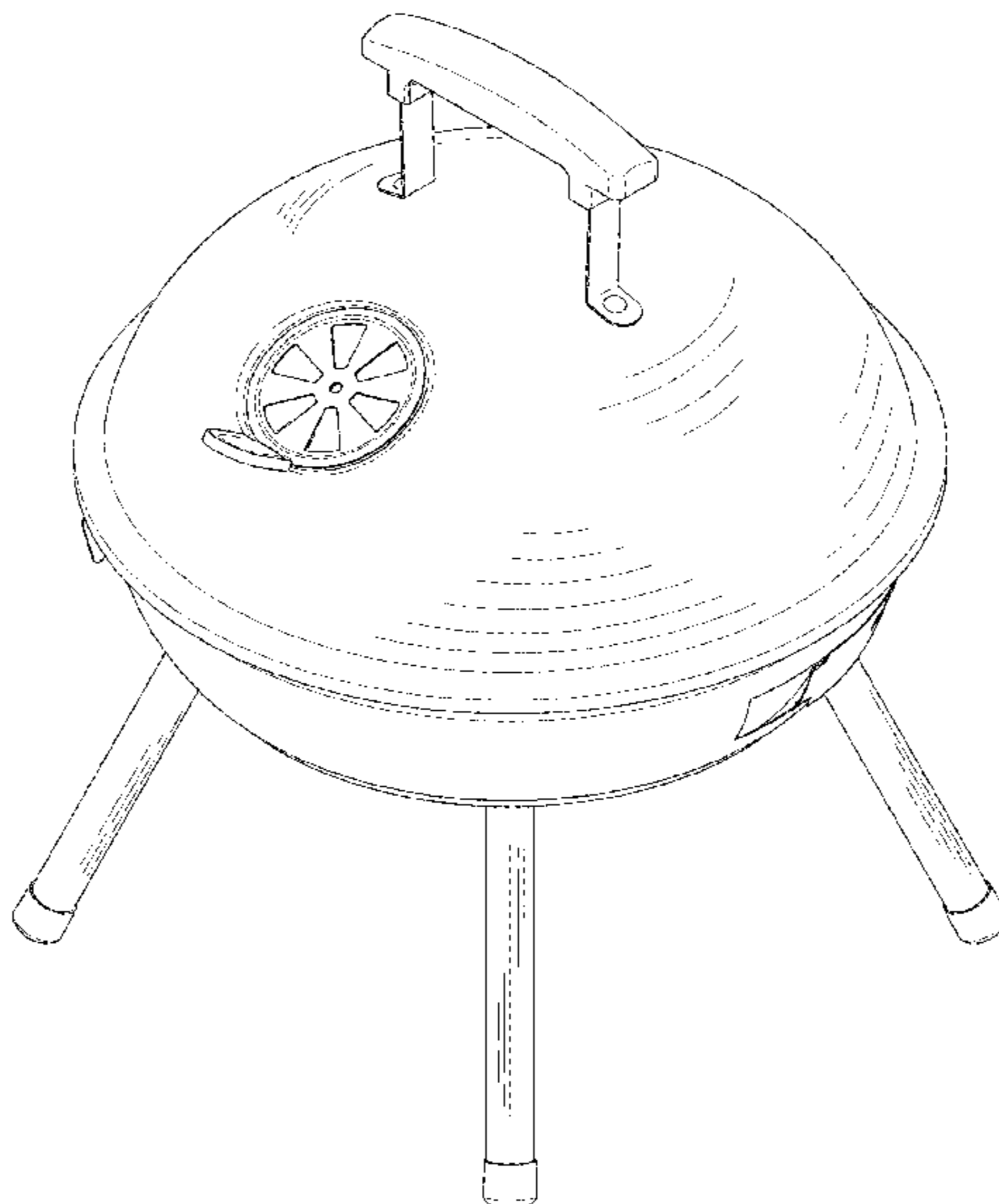
FIG. 1 is a perspective view of a barbecue grill of the present invention, showing my design;
FIG. 2 is a front view of the barbecue grill shown in FIG. 1;
FIG. 3 is a rear view of the barbecue grill shown in FIG. 1;
FIG. 4 is a left side view of the barbecue grill shown in FIG. 1;
FIG. 5 is a right side view of the barbecue grill shown in FIG. 1;
FIG. 6 is a top view of the barbecue grill shown in FIG. 1; and,
FIG. 7 is a bottom view of the barbecue grill shown in FIG. 1.
The broken lines depict portions of the barbecue grill that form no part of the claimed design.

1 Claim, 7 Drawing Sheets

(56) **References Cited**

U.S. PATENT DOCUMENTS

4,630,593 A * 12/1986 Gremillion A47J 37/0786
126/25 R
5,036,832 A * 8/1991 Schlosser A47J 37/0704
126/243
D385,147 S * 10/1997 Fielding D7/332
D463,707 S * 10/2002 Bossler D7/332
D504,798 S * 5/2005 Nipke D7/337
D505,824 S * 6/2005 Nipke D7/334
D508,364 S * 8/2005 Nipke D7/334
D508,365 S * 8/2005 Nipke D7/334
D514,872 S * 2/2006 Chung D7/337
D516,366 S * 3/2006 Nipke D7/334



(56)

References Cited

U.S. PATENT DOCUMENTS

D718,080	S	*	11/2014	Chung	D7/332
D724,886	S	*	3/2015	Chung	D7/337
D828,071	S	*	9/2018	Dutruel	D7/332
D830,096	S	*	10/2018	Bucklew	D7/332
D862,967	S	*	10/2019	Workman	D7/332
2004/0020484	A1	*	2/2004	Skidmore	A47J 37/0763 126/25 R

* cited by examiner

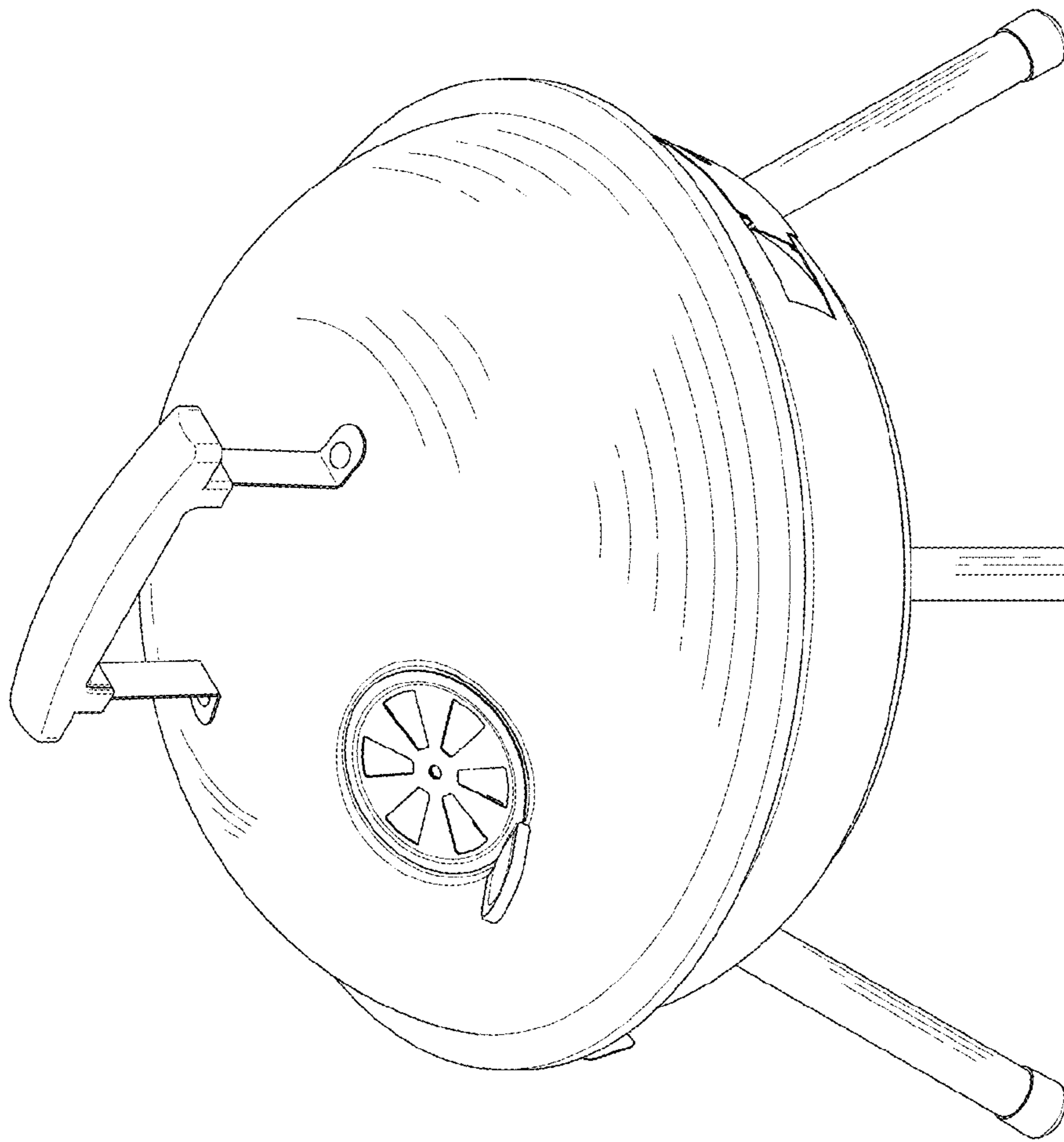


FIG. 1

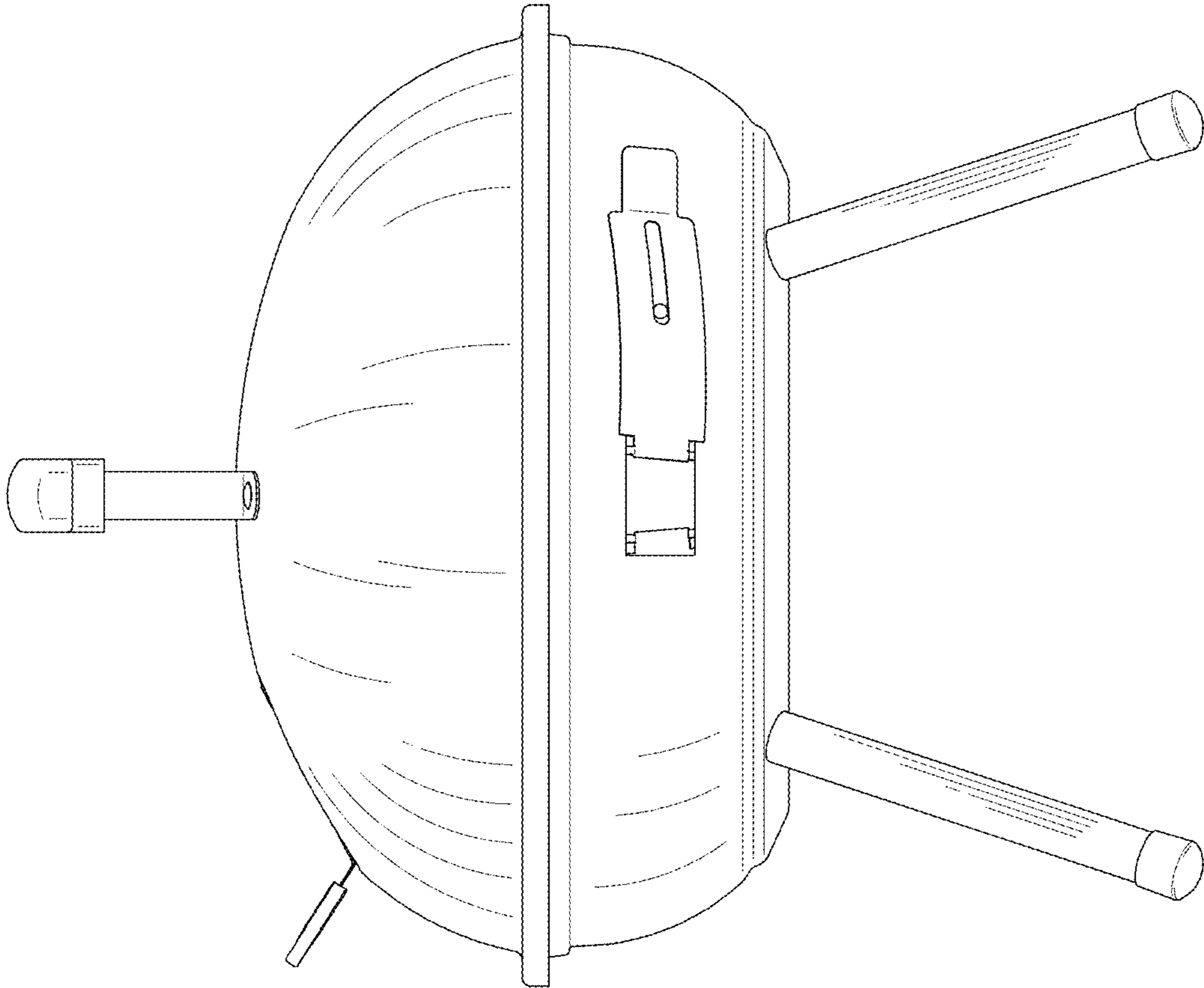


FIG. 2

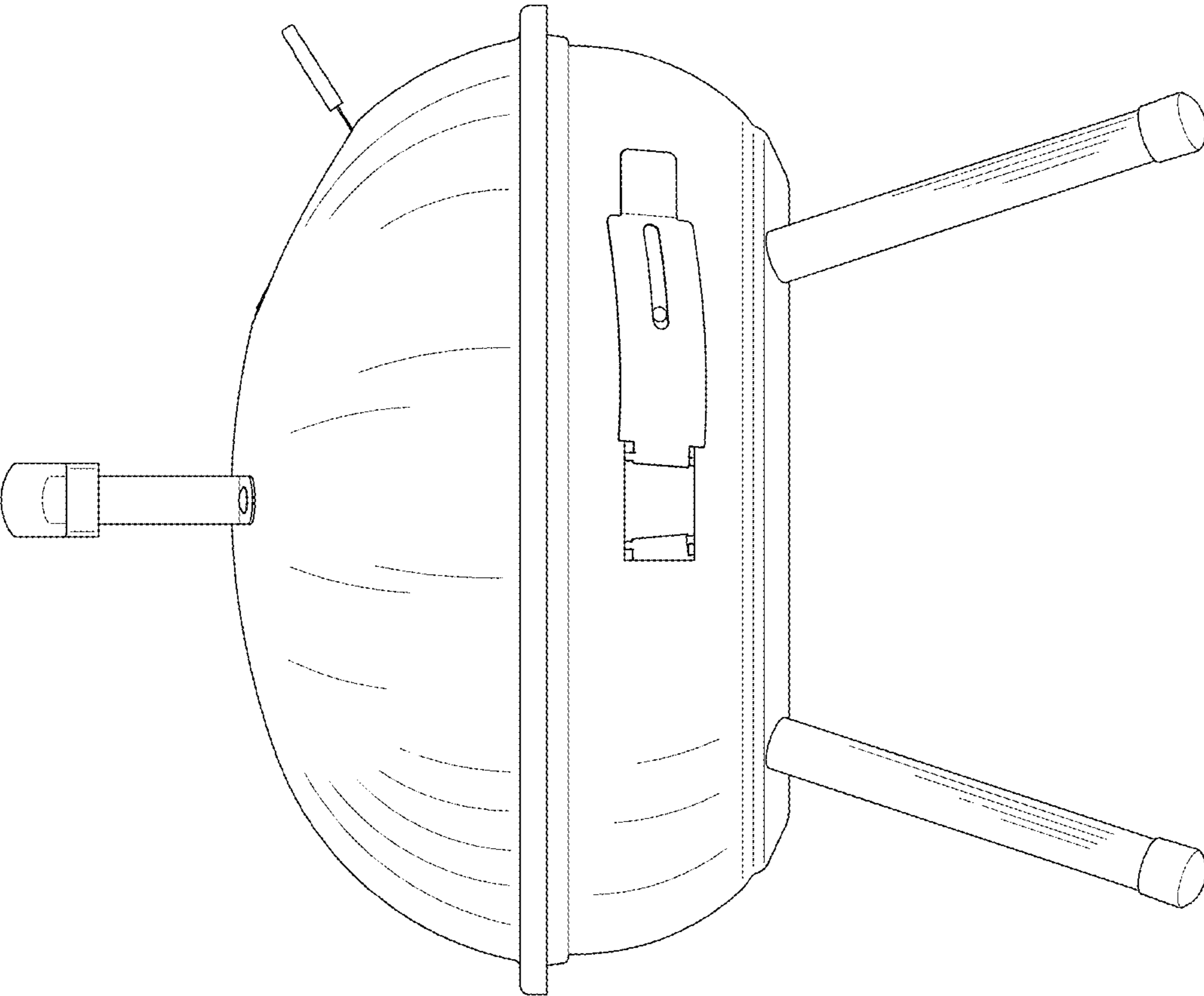


FIG. 3

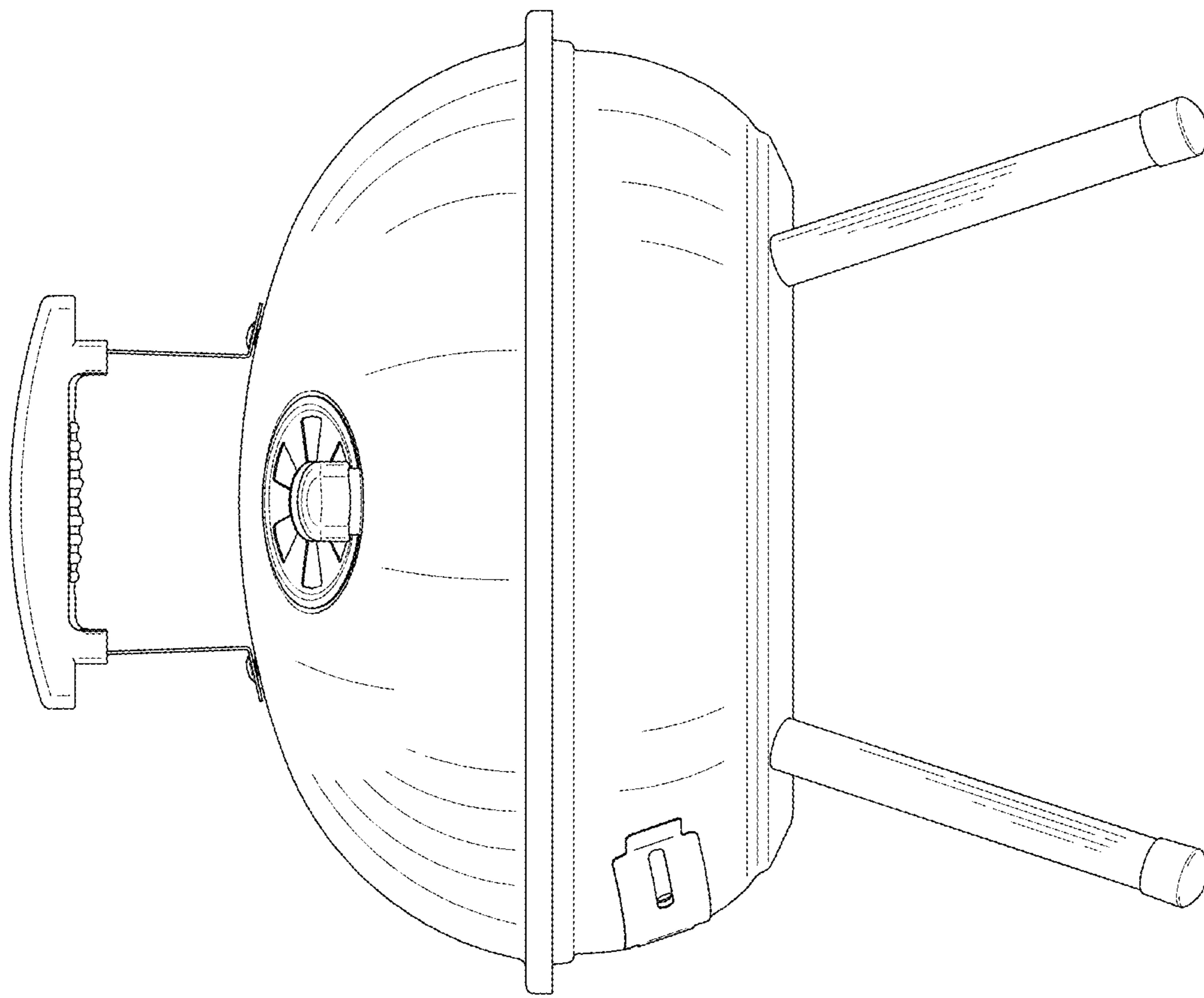


FIG. 4

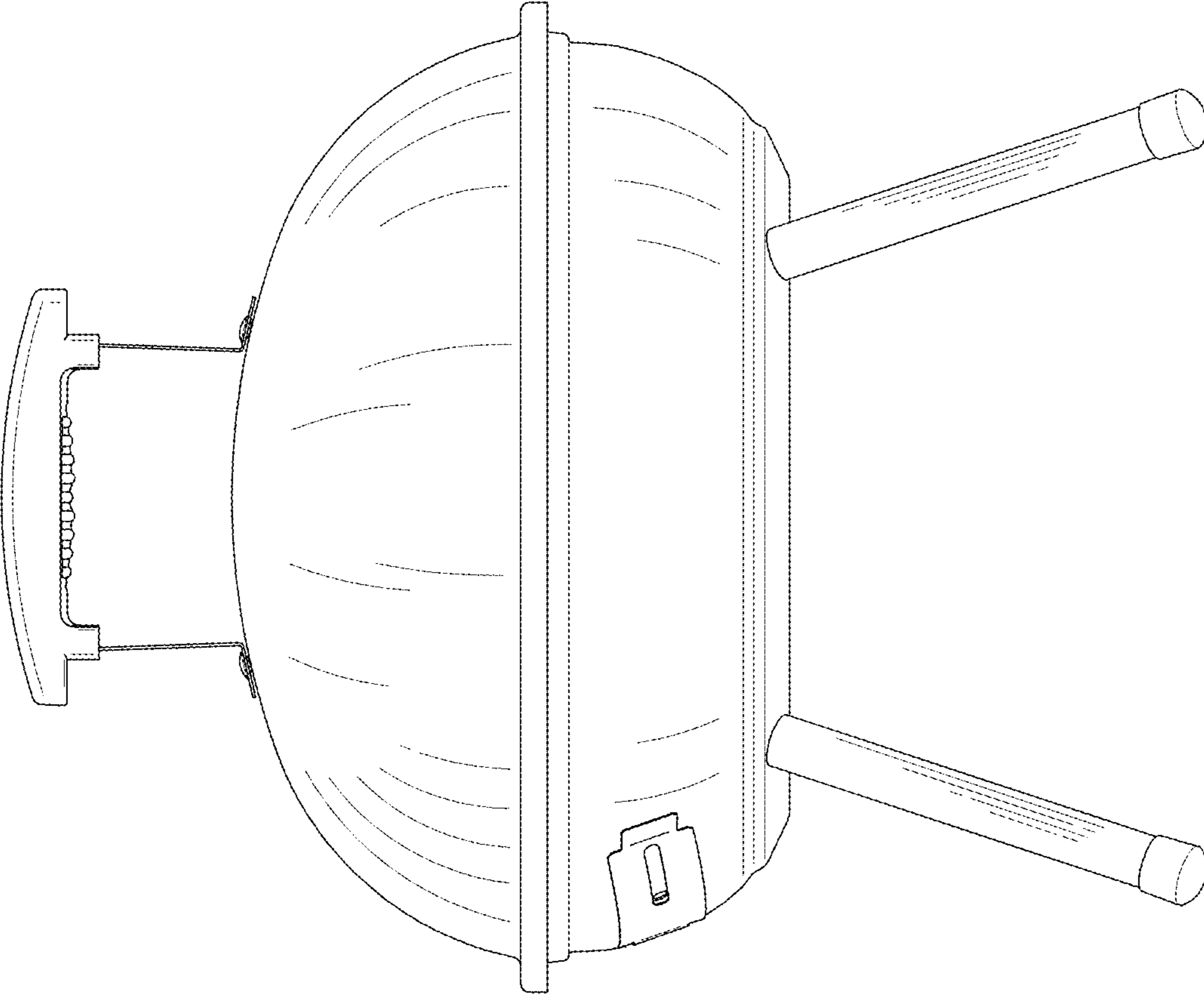


FIG. 5

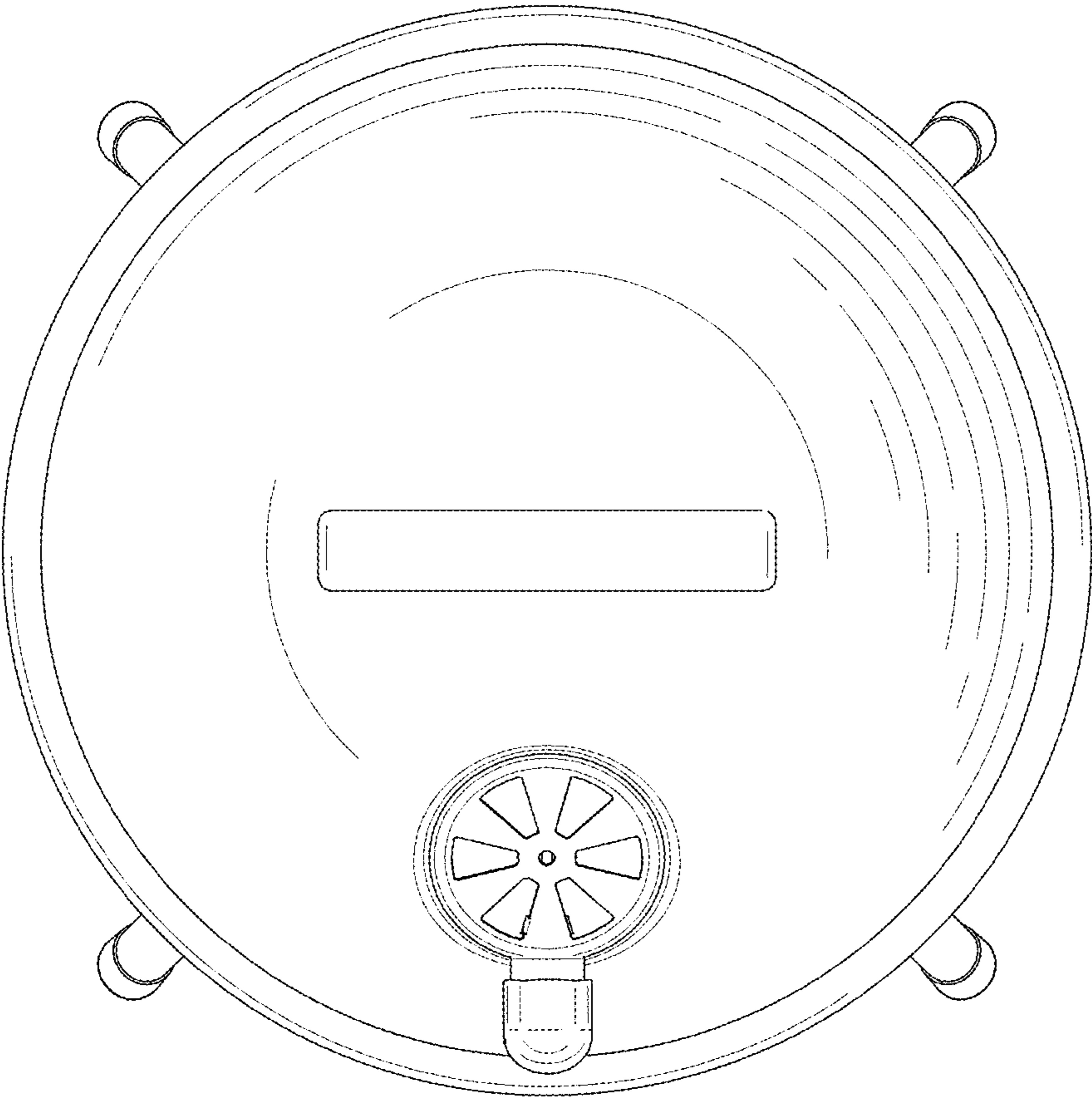


FIG. 6

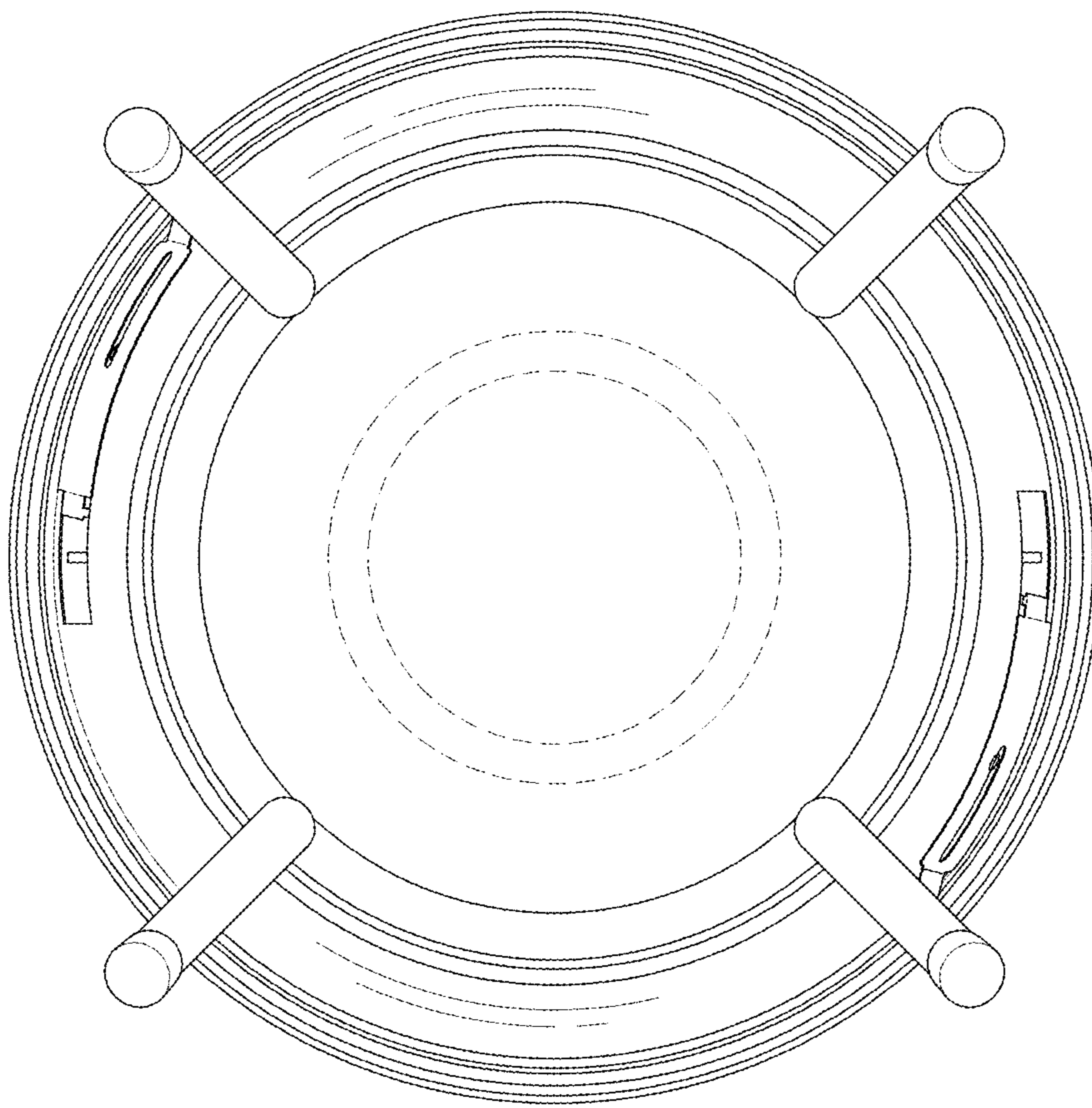


FIG. 7