



US00D914432S

(12) **United States Design Patent**  
**Bennett**

(10) **Patent No.:** **US D914,432 S**  
(45) **Date of Patent:** **\*\* Mar. 30, 2021**

- (54) **PORTABLE STOVE**
- (71) Applicant: **Logan Outdoor Products, LLC**, Hyde Park, UT (US)
- (72) Inventor: **Brett Bennett**, Mantua, UT (US)
- (73) Assignee: **Logan Outdoor Products, LLC**, Hyde Park, UT (US)
- (\*\*) Term: **15 Years**

D412,808 S *	8/1999	Hinton	.....	D7/362
D450,976 S *	11/2001	Mosher	.....	D7/337
D469,298 S *	1/2003	Hinton	.....	D7/332
D514,871 S *	2/2006	May	.....	D7/337
D532,642 S *	11/2006	Wilgus	.....	D7/337
D548,971 S *	8/2007	Lin	.....	D3/294
D569,616 S *	5/2008	Lin	.....	D3/905
D576,443 S *	9/2008	Chung	.....	D7/337
D576,444 S *	9/2008	Chung	.....	D7/337
D577,534 S *	9/2008	Chung	.....	D7/337
D614,436 S *	4/2010	Chung	.....	D7/337

(Continued)

- (21) Appl. No.: **29/676,098**
- (22) Filed: **Jan. 8, 2019**
- (51) **LOC (13) Cl.** ..... **07-02**
- (52) **U.S. Cl.**  
USPC ..... **D7/337**
- (58) **Field of Classification Search**  
USPC ..... D7/332-338, 402-409, 355, 356, 360, D7/362, 364, 365, 366, 363, 352; D23/343, 348, 332, 335, 314, 345, 415; D3/294-296, 276, 905  
CPC .... A47J 37/07-37/0763; A47J 37/0781; A47J 37/0786; A47J 2037/0777; A47J 33/00; A47J 2201/00; F24C 3/14; F24C 1/16; F24C 5/20; F24B 1/181; F24B 1/19; F24B 1/195; F24B 1/00; F24B 1/202-1/207; F24B 3/00; F23B 20/00  
See application file for complete search history.

(56) **References Cited**  
U.S. PATENT DOCUMENTS

D227,850 S *	7/1973	Benson	.....	D7/337
D245,220 S *	8/1977	Chan	.....	D7/337
D251,894 S *	5/1979	Chan	.....	D7/337
D276,303 S *	11/1984	Chan	.....	D7/337
D295,818 S *	5/1988	Chan	.....	D7/332
4,899,723 A *	2/1990	Pajares	.....	F24C 1/04
				D7/362
D326,792 S *	6/1992	Rodgers	.....	D7/337
D406,722 S *	3/1999	Benton	.....	D7/337

OTHER PUBLICATIONS

Coleman Gas camping Stove, 12 Aug. 2016, Amazon, <https://www.amazon.com/Coleman-Stove-Triton-Portable-Propane/dp/B00QMVEG8S> (Year: 2016).\*

Primary Examiner — Brett Miller

(74) Attorney, Agent, or Firm — Amardeep S. Grewal; Gerard M. Donovan; Reed Smith LLP

(57) **CLAIM**

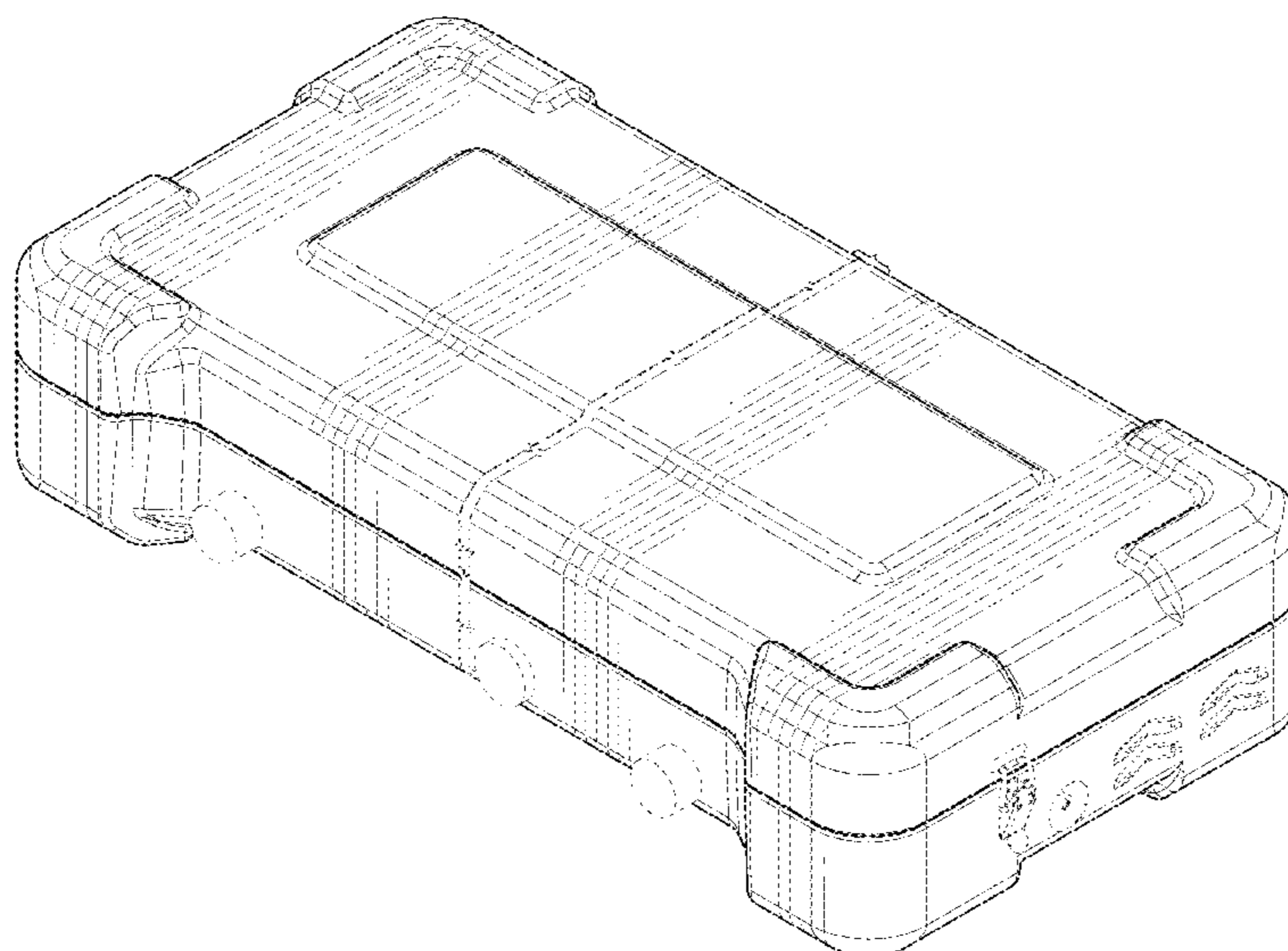
The ornamental design for a portable stove, as shown and described.

**DESCRIPTION**

FIG. 1 is a top perspective view;  
FIG. 2 is a bottom perspective view;  
FIG. 3 is a front view;  
FIG. 4 is a back view;  
FIG. 5 is a right side view;  
FIG. 6 is a left side view;  
FIG. 7 is a top view; and,  
FIG. 8 is a bottom view.

The small dashed lines depict portions of the stove that form no part of the claimed design. The dash-dot-dash lines depict a break in the claimed design and any appearance of any portion of the article between the break lines forms no part of the claimed design.

**1 Claim, 7 Drawing Sheets**



(56)

**References Cited**

U.S. PATENT DOCUMENTS

D677,106 S *	3/2013	Horito .....	D7/337
D721,231 S *	1/2015	Steele .....	D3/905
D740,559 S *	10/2015	Steele .....	D3/905
D784,064 S *	4/2017	Hebert, Jr. ....	D7/337
D874,143 S *	2/2020	Seibert .....	D3/294
D877,510 S *	3/2020	Christen .....	D3/294
D882,951 S *	5/2020	Austin .....	D3/294
2013/0032131 A1 *	2/2013	Horito .....	F24C 3/14
			126/38
2016/0356502 A1 *	12/2016	Hebert, Jr. ....	F24C 1/16
2018/0184844 A1 *	7/2018	Hagstrom .....	A47J 37/0763

\* cited by examiner

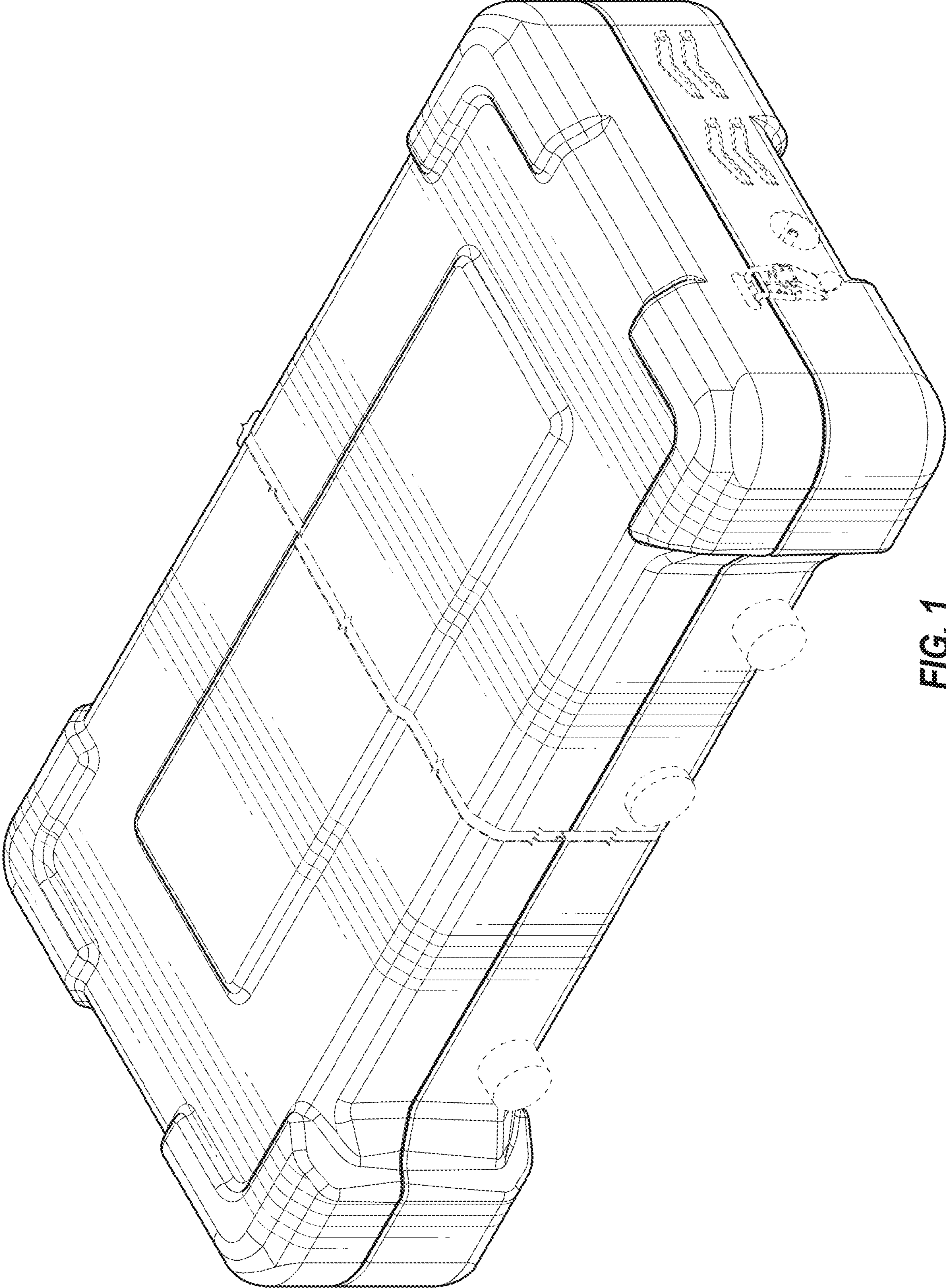


FIG. 1

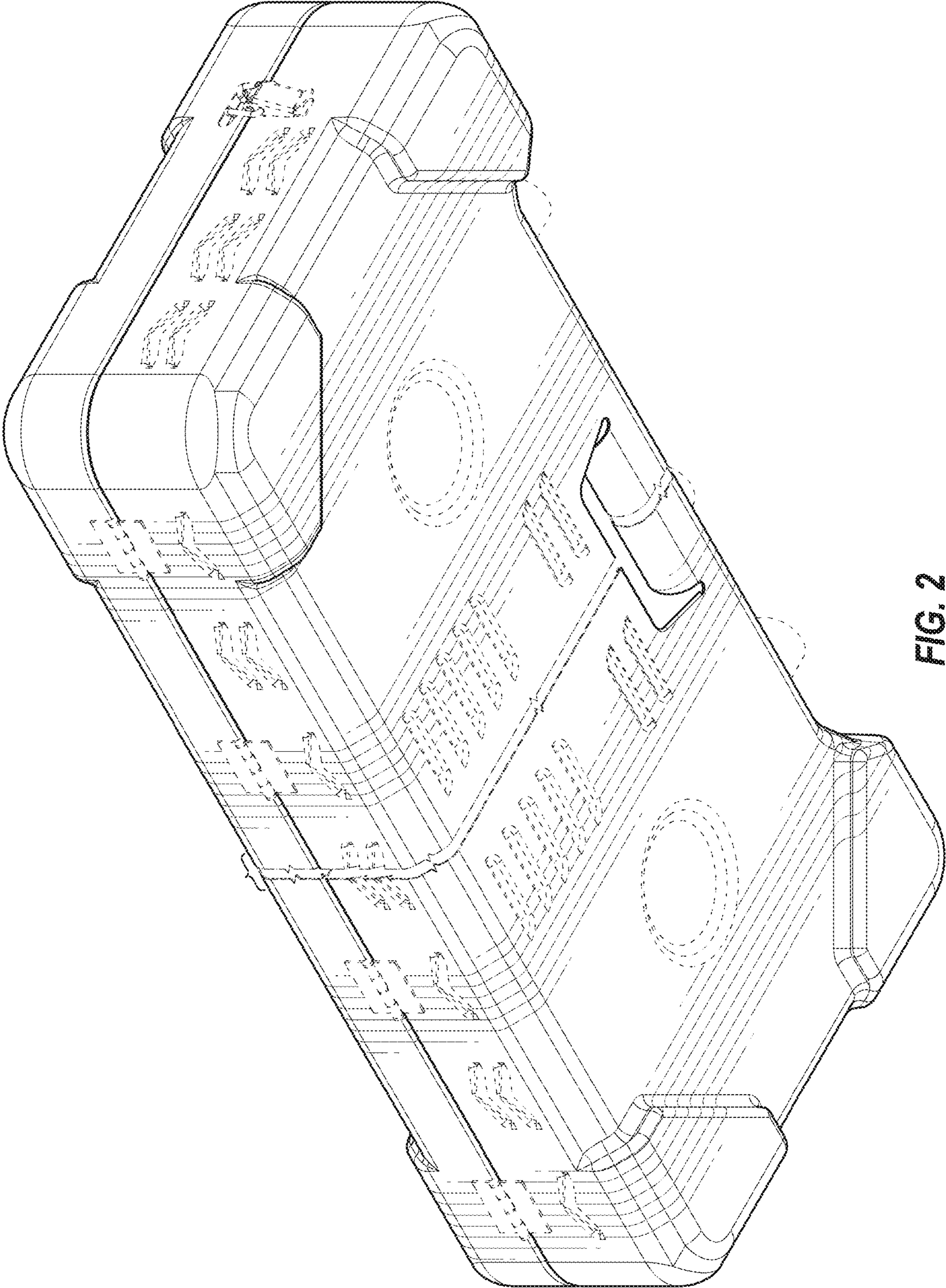


FIG. 2

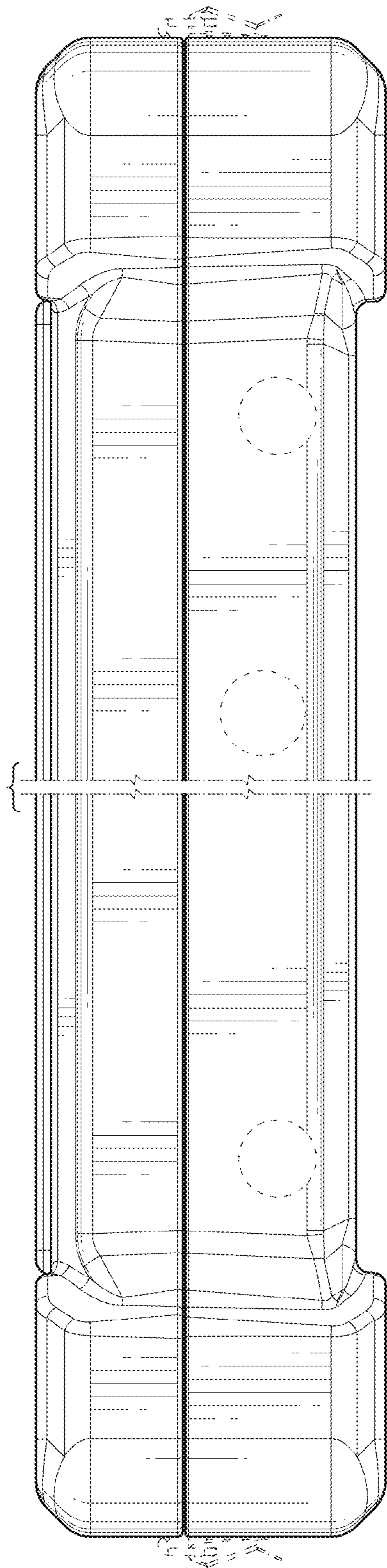


FIG. 3

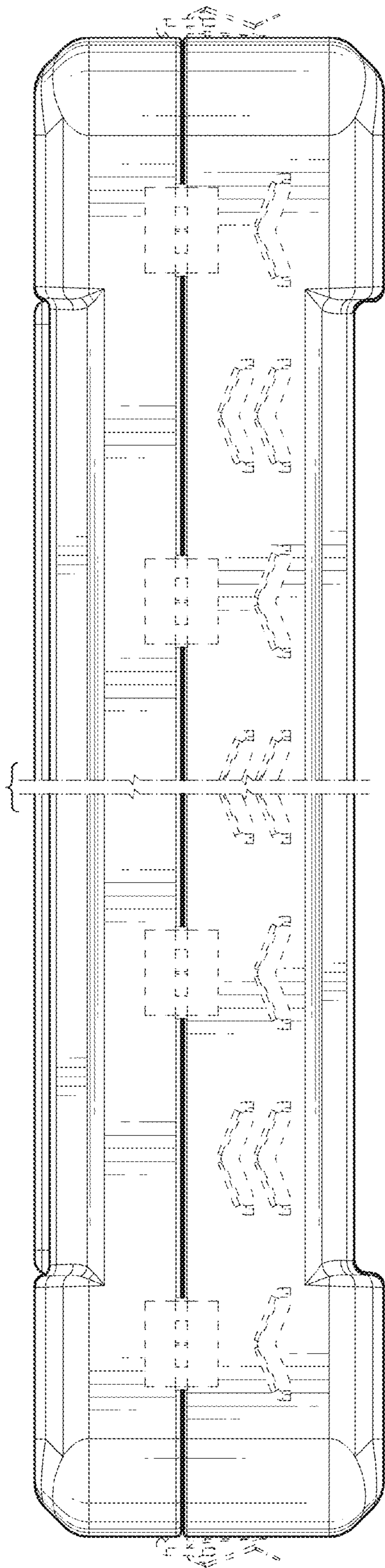


FIG. 4

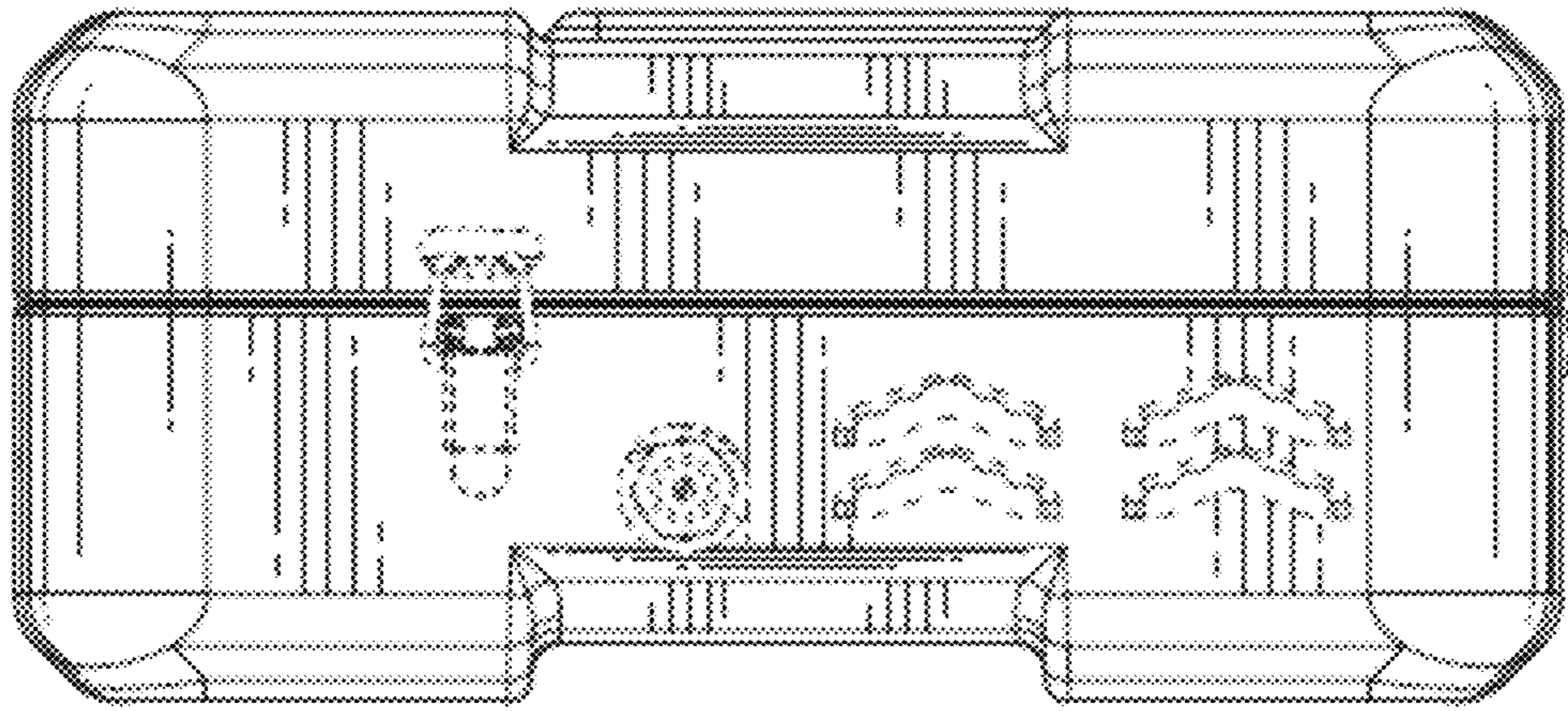


FIG. 6

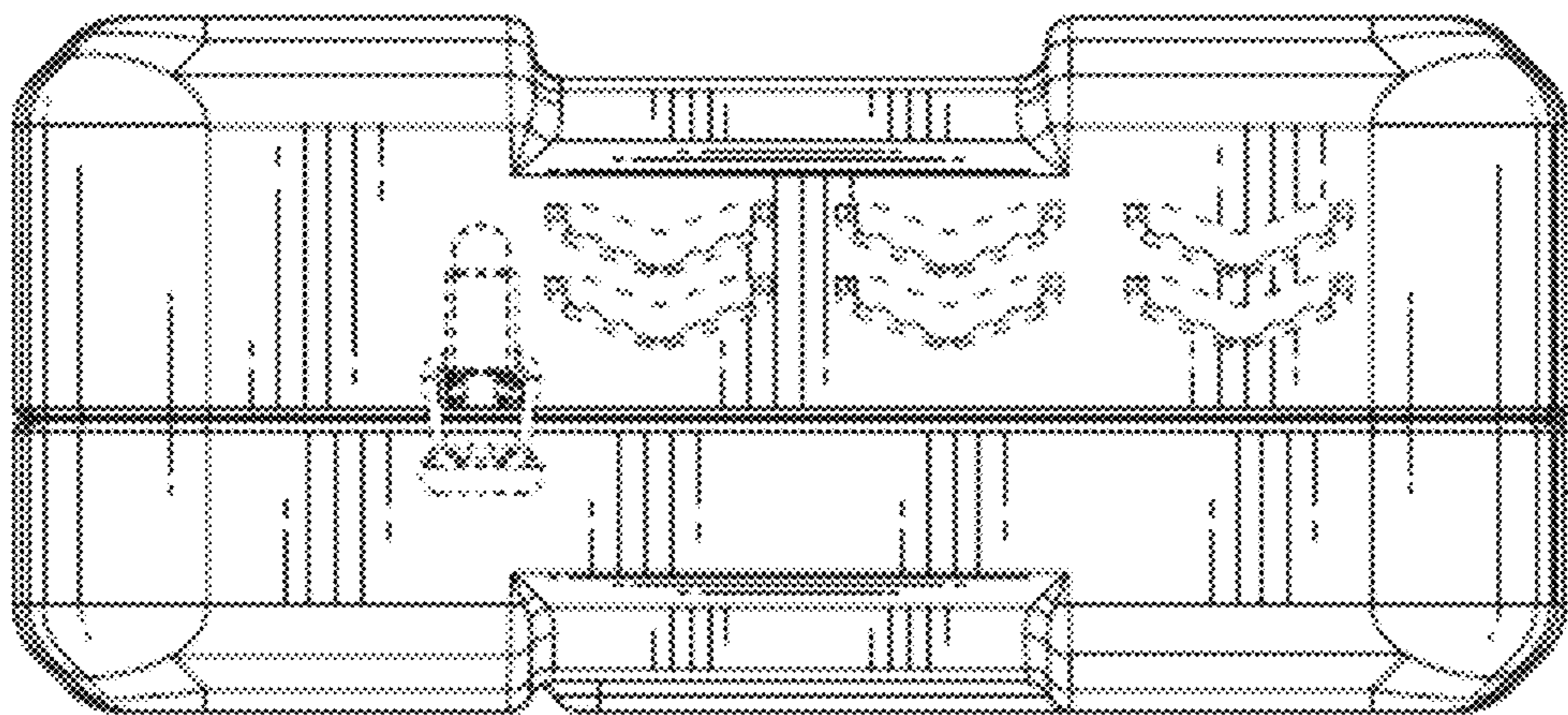


FIG. 5

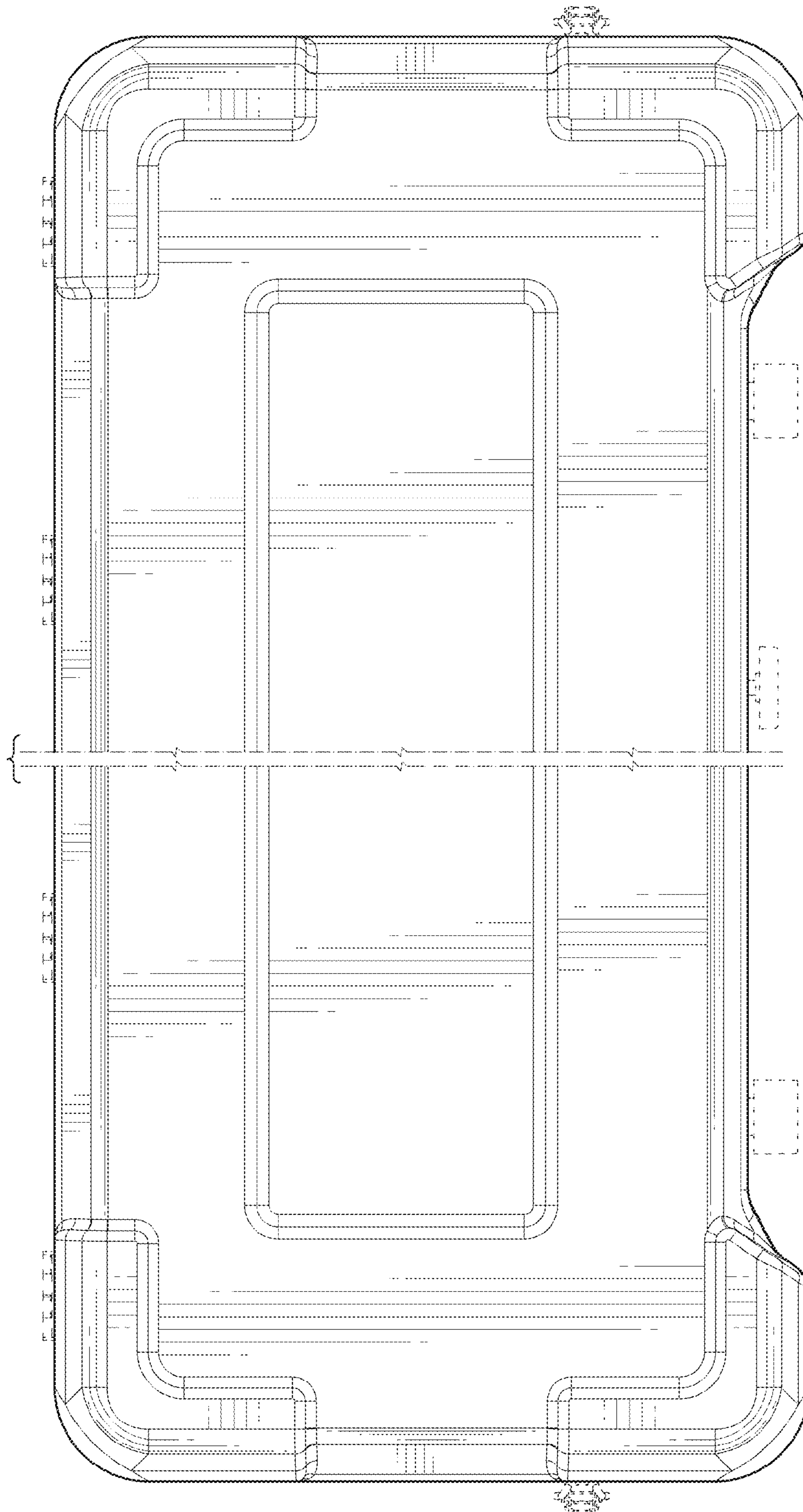


FIG. 7



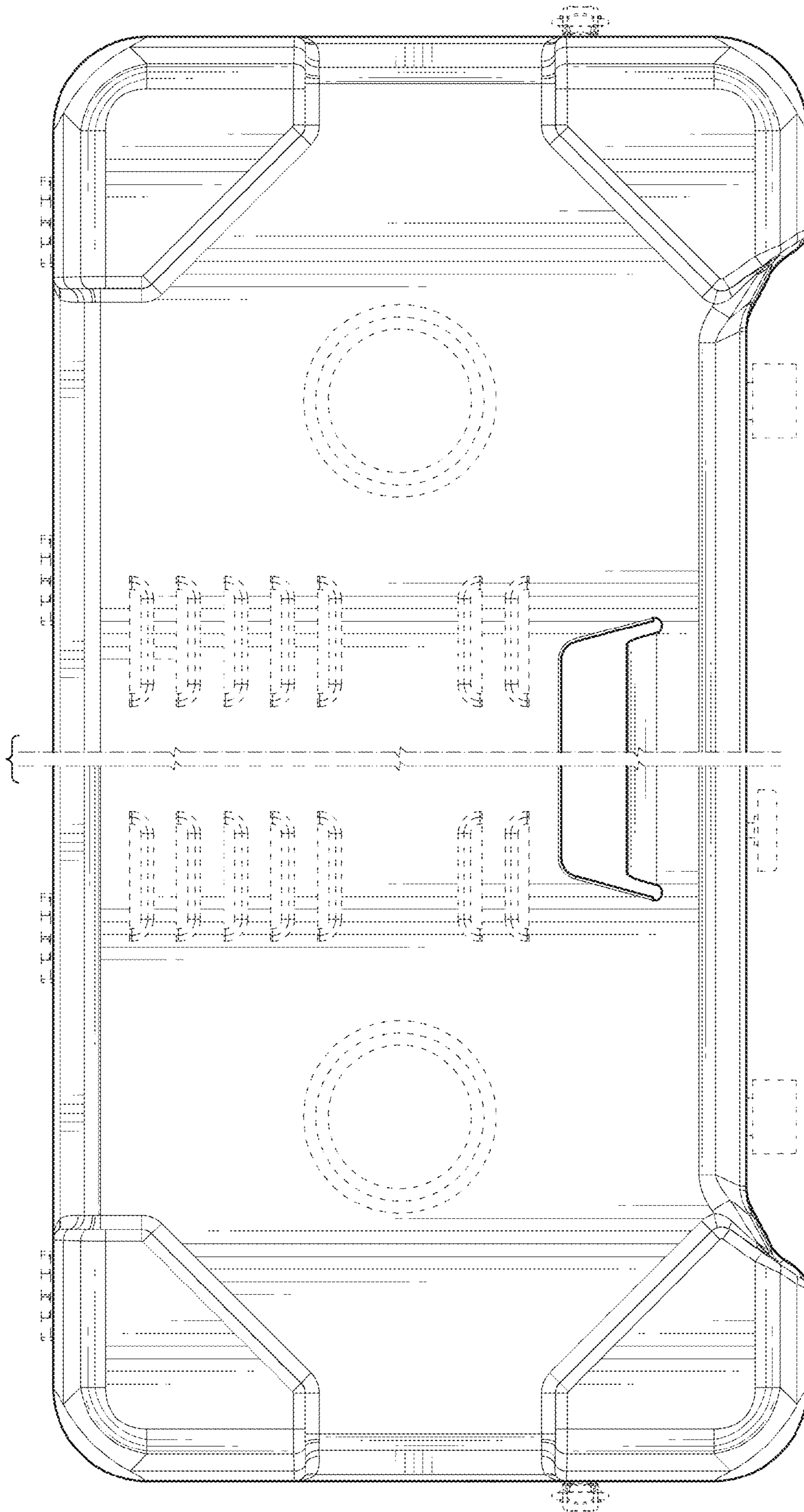


FIG. 8