



US00D914431S

(12) **United States Design Patent**
Ma

(10) **Patent No.:** **US D914,431 S**
(45) **Date of Patent:** **** Mar. 30, 2021**

(54) **CHARCOAL GRILL**

FOREIGN PATENT DOCUMENTS

(71) Applicant: **Shan Ma**, Beijing (CN)

CN 304205369 * 7/2017

(72) Inventor: **Shan Ma**, Beijing (CN)

OTHER PUBLICATIONS

(**) Term: **15 Years**

Venyn, Original Kettle Premium Portable Charcoal Grill, Jul. 25, 2020 (user review with image), Amazon, <https://www.amazon.com/Portable-Charcoal-Grilling-Barbecue-Tailgating/dp/B07KBVVL8G> (Year: 2020).*

(21) Appl. No.: **29/750,346**

Beau Jardin, Portable Charcoal Grill, Jul. 29, 2020 (user review with image), Amazon, <https://www.amazon.com/Portable-Charcoal-Grilling-17-5inch-Tailgating/dp/B074QKGPSK> (Year: 2020).*

(22) Filed: **Sep. 14, 2020**

(51) **LOC (13) Cl.** **07-02**

(52) **U.S. Cl.**
USPC **D7/334**

(58) **Field of Classification Search**
USPC D7/323, 331–338, 402–409
CPC A47J 37/07–0713; A47J 37/0763; A47J 37/0781

* cited by examiner

See application file for complete search history.

Primary Examiner — Brett Miller

(74) *Attorney, Agent, or Firm* — ZANIP

(56) **References Cited**

(57) **CLAIM**

U.S. PATENT DOCUMENTS

The ornamental design for a charcoal grill, as shown and described.

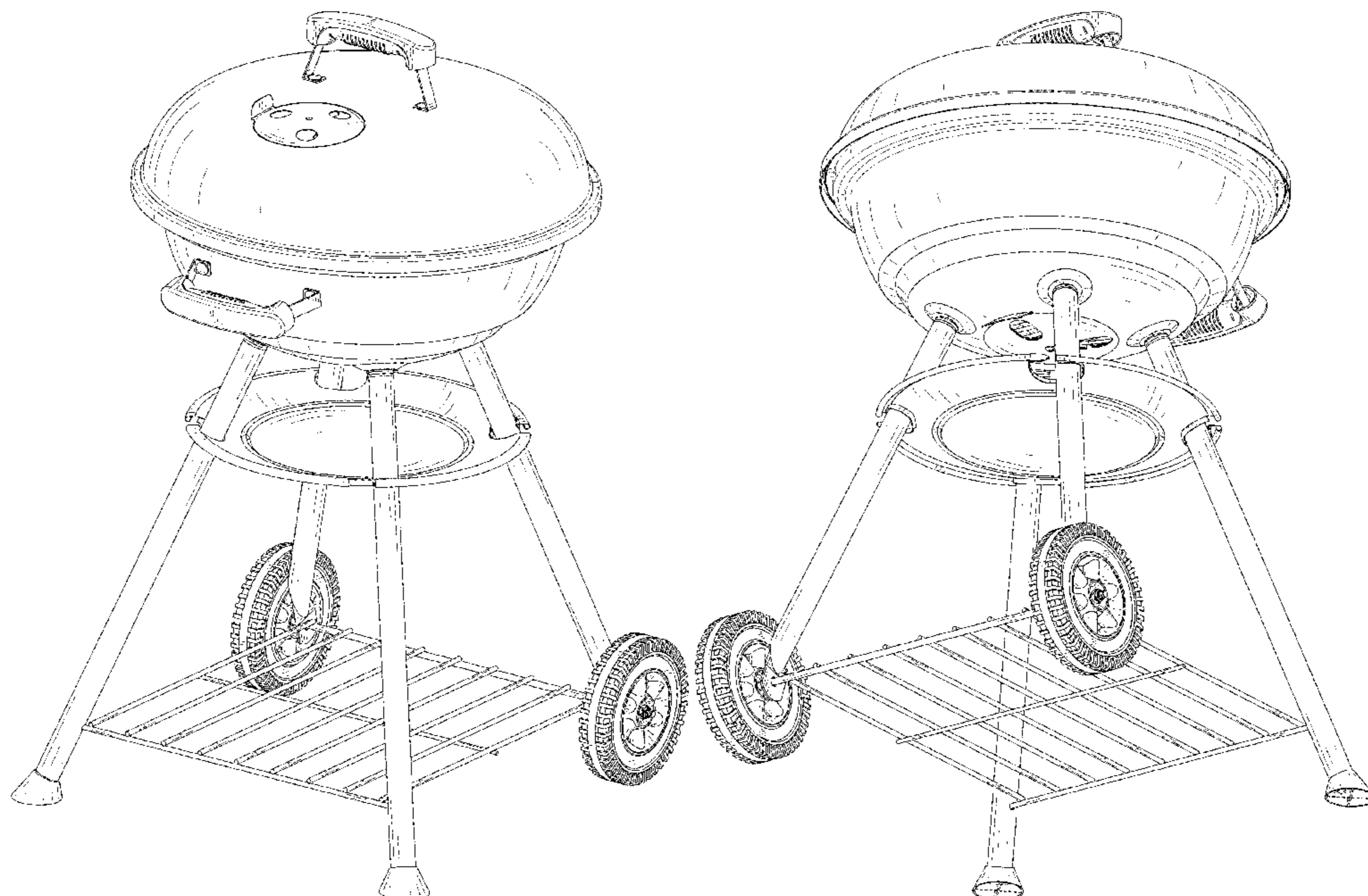
D414,374 S *	9/1999	Ting	D7/334
D417,362 S *	12/1999	Ting	D7/332
D420,242 S *	2/2000	Chiang	D7/332
D428,760 S *	8/2000	Huang	D7/334
D463,708 S *	10/2002	Bossler	D7/334
D471,396 S *	3/2003	Chiang	D7/334
D480,906 S *	10/2003	Pai	D7/334
D481,256 S *	10/2003	Bossler	D7/337
D482,561 S *	11/2003	Yeh	D7/332
D504,798 S *	5/2005	Nipke	D7/337
D507,927 S *	8/2005	Nipke	D7/334
D587,873 S	3/2009	Eshleman		
D619,416 S *	7/2010	Bailey	D7/402
D717,095 S *	11/2014	Chung	D7/334
D756,158 S *	5/2016	Krawiec	D7/332
D792,148 S *	7/2017	Chung	D7/334
D818,758 S *	5/2018	Witsch	D7/334
2014/0165993 A1 *	6/2014	Ahmed	A47J 37/0763

126/25 R

DESCRIPTION

FIG. 1 is a front and top perspective view of a charcoal grill, showing my new design;
FIG. 2 is a rear and bottom perspective view thereof;
FIG. 3 is a front elevational view thereof;
FIG. 4 is a rear elevational view thereof;
FIG. 5 is a left side elevational view thereof;
FIG. 6 is a right side elevational view thereof;
FIG. 7 is a top plan view thereof; and,
FIG. 8 is a bottom plan view thereof.
The broken lines in the figures illustrate portions of the article that form no part of the claimed design.

1 Claim, 8 Drawing Sheets



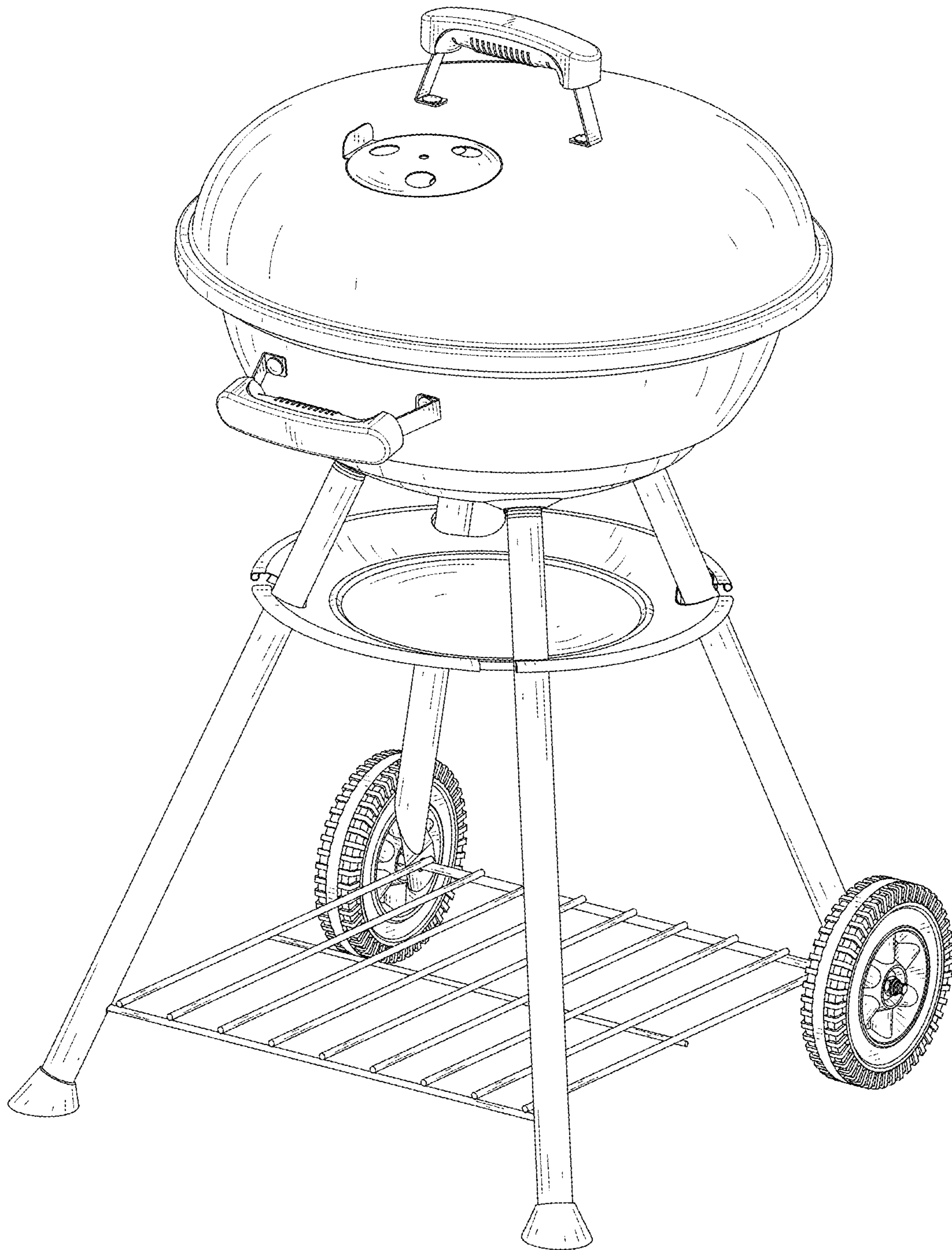


FIG. 1

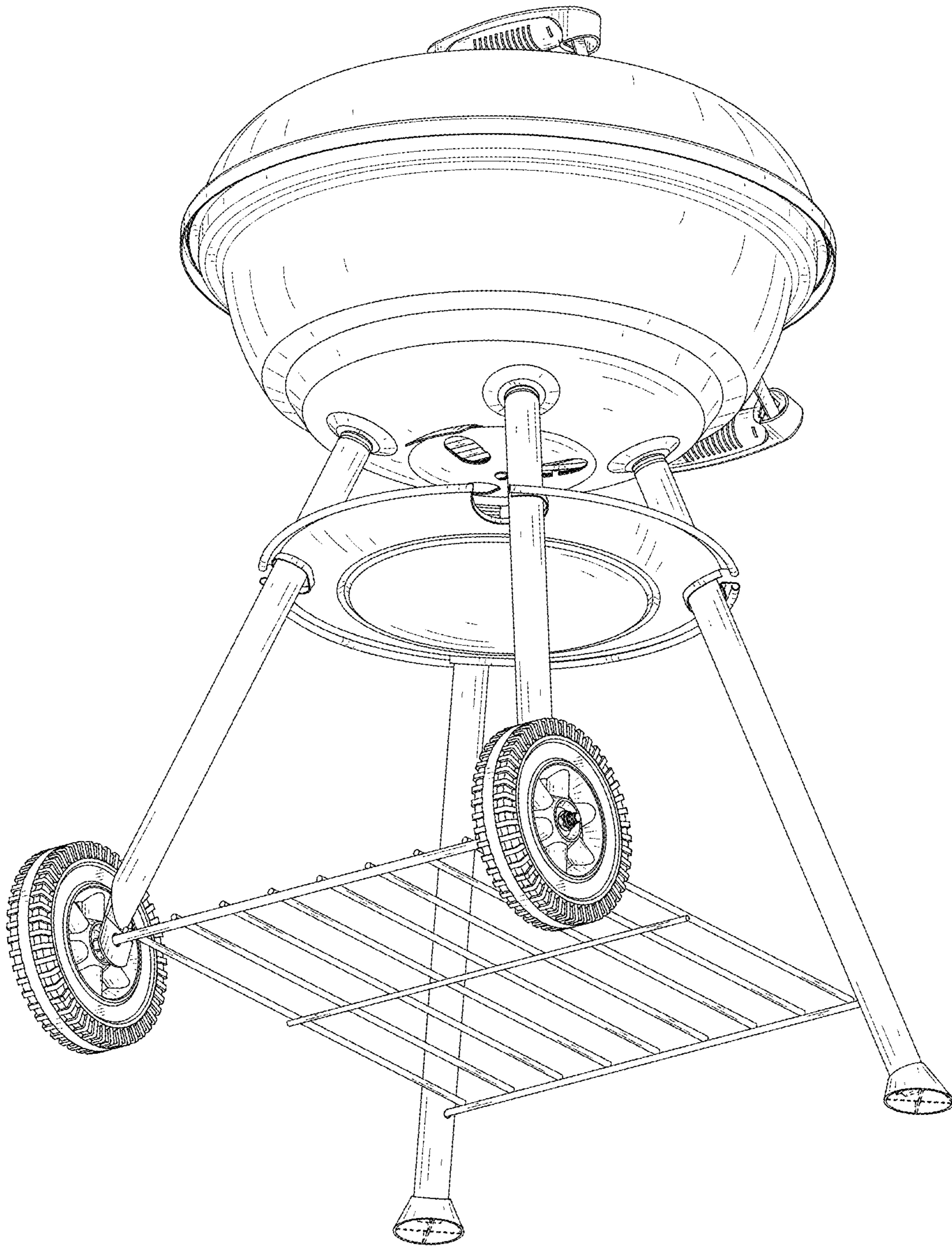


FIG. 2

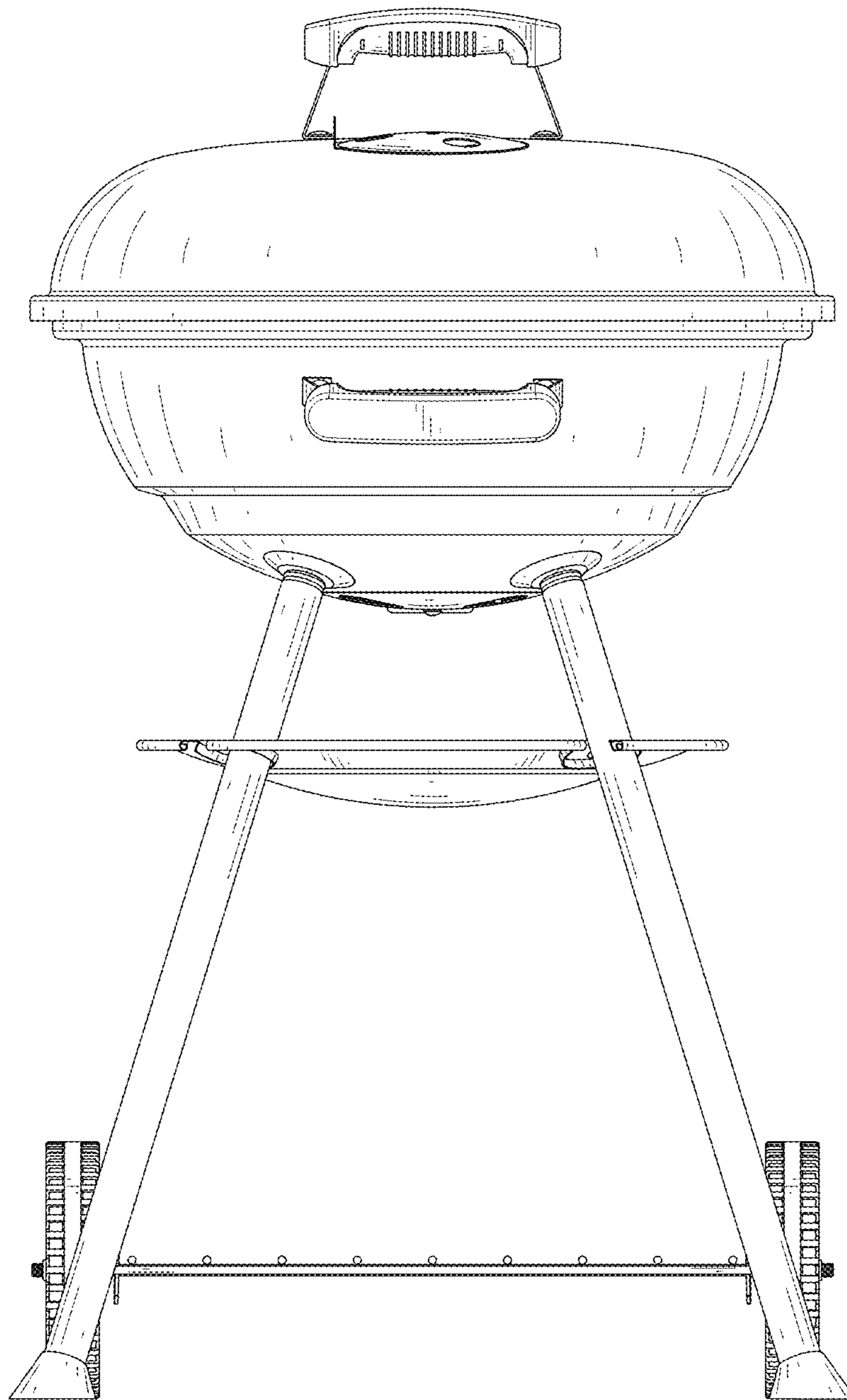


FIG. 3

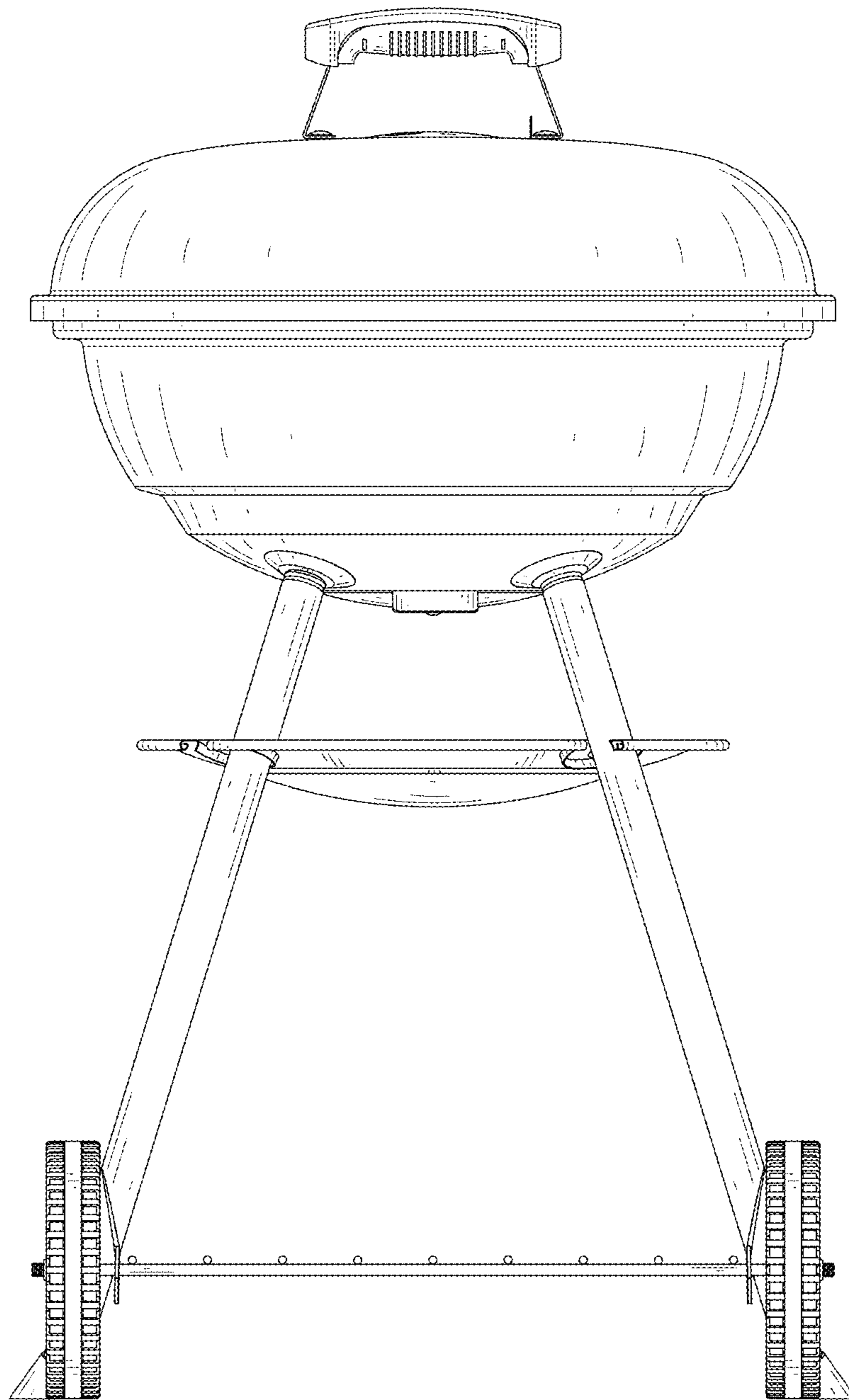


FIG. 4

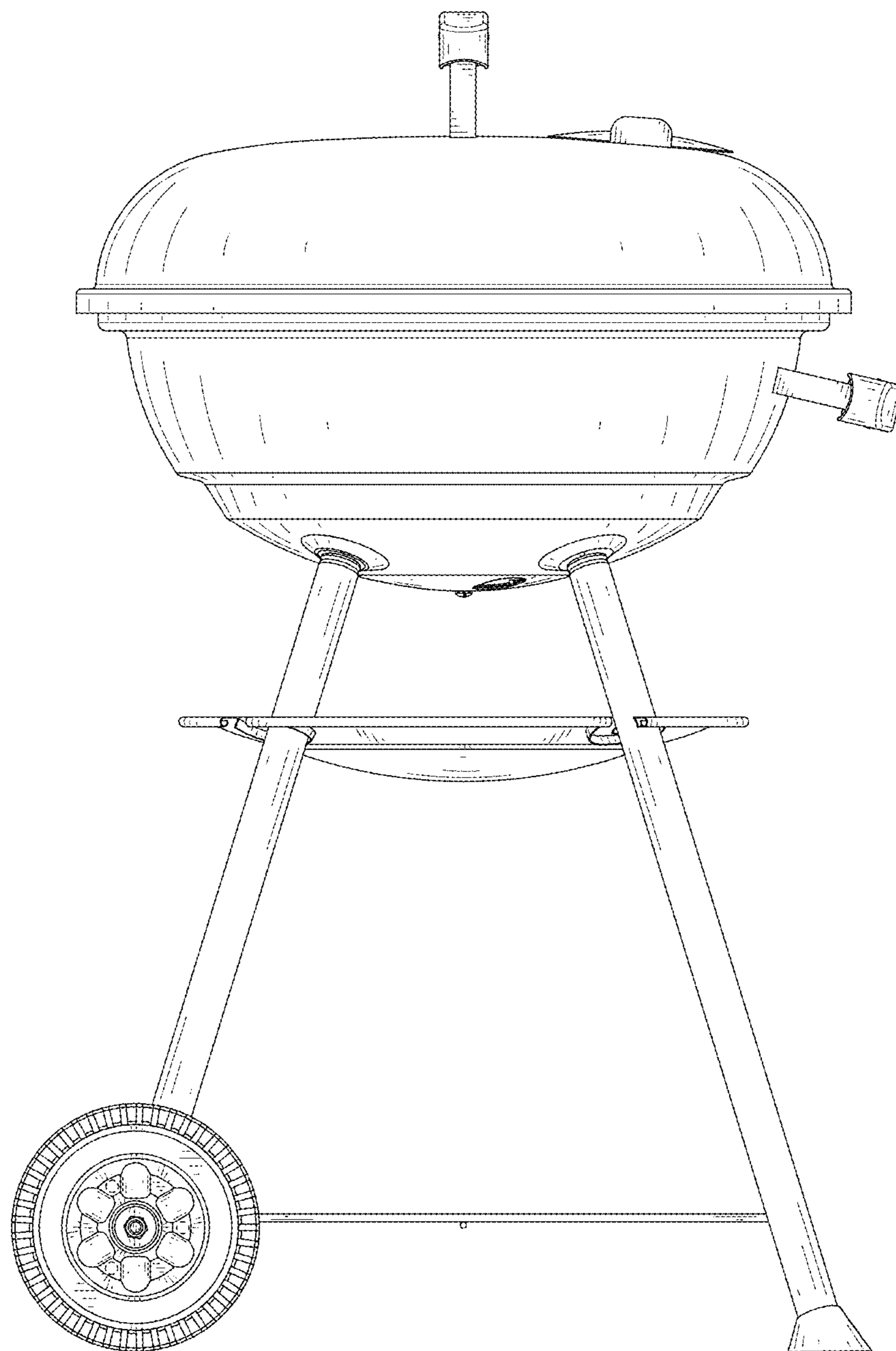


FIG. 5

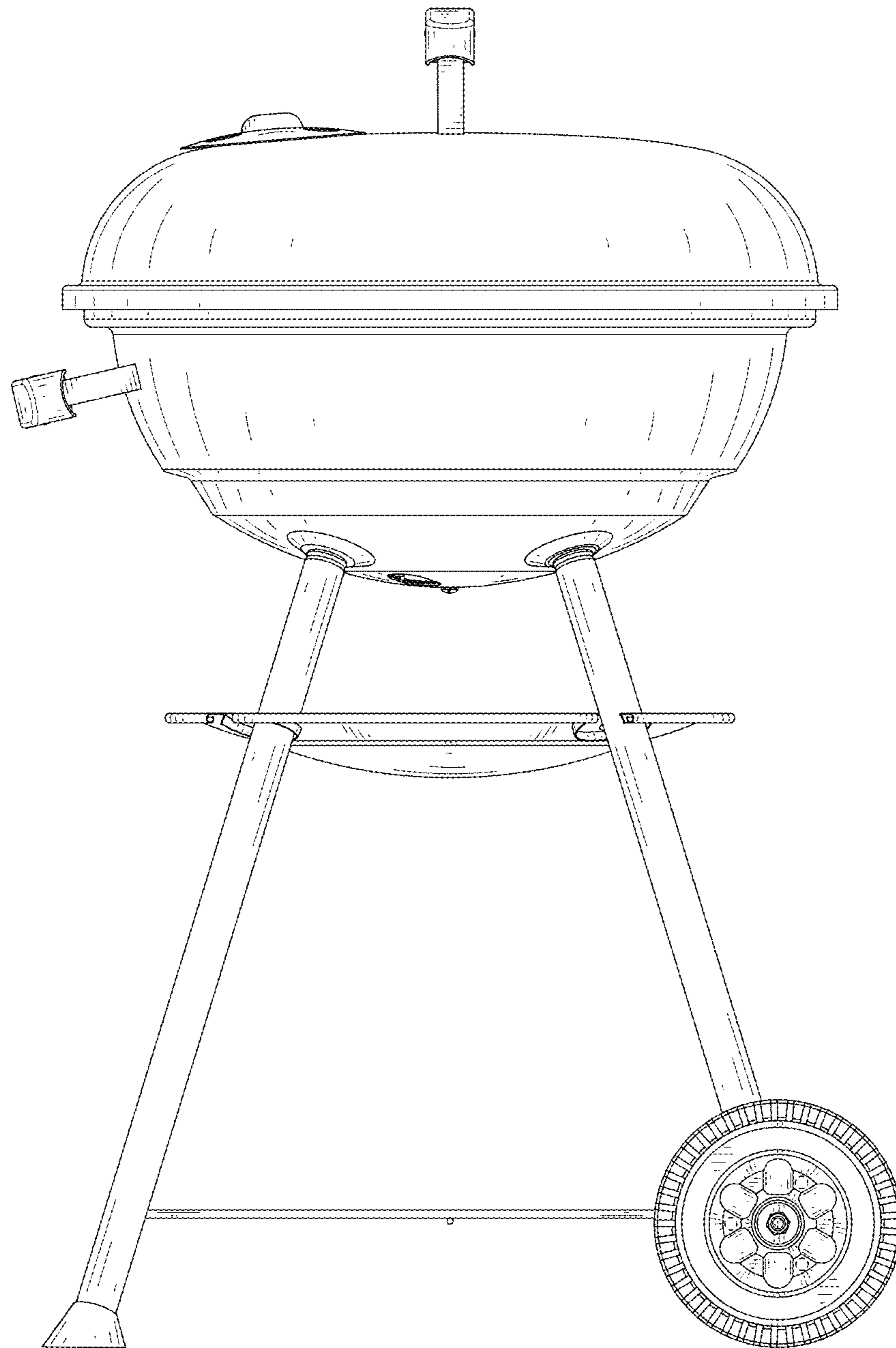


FIG. 6

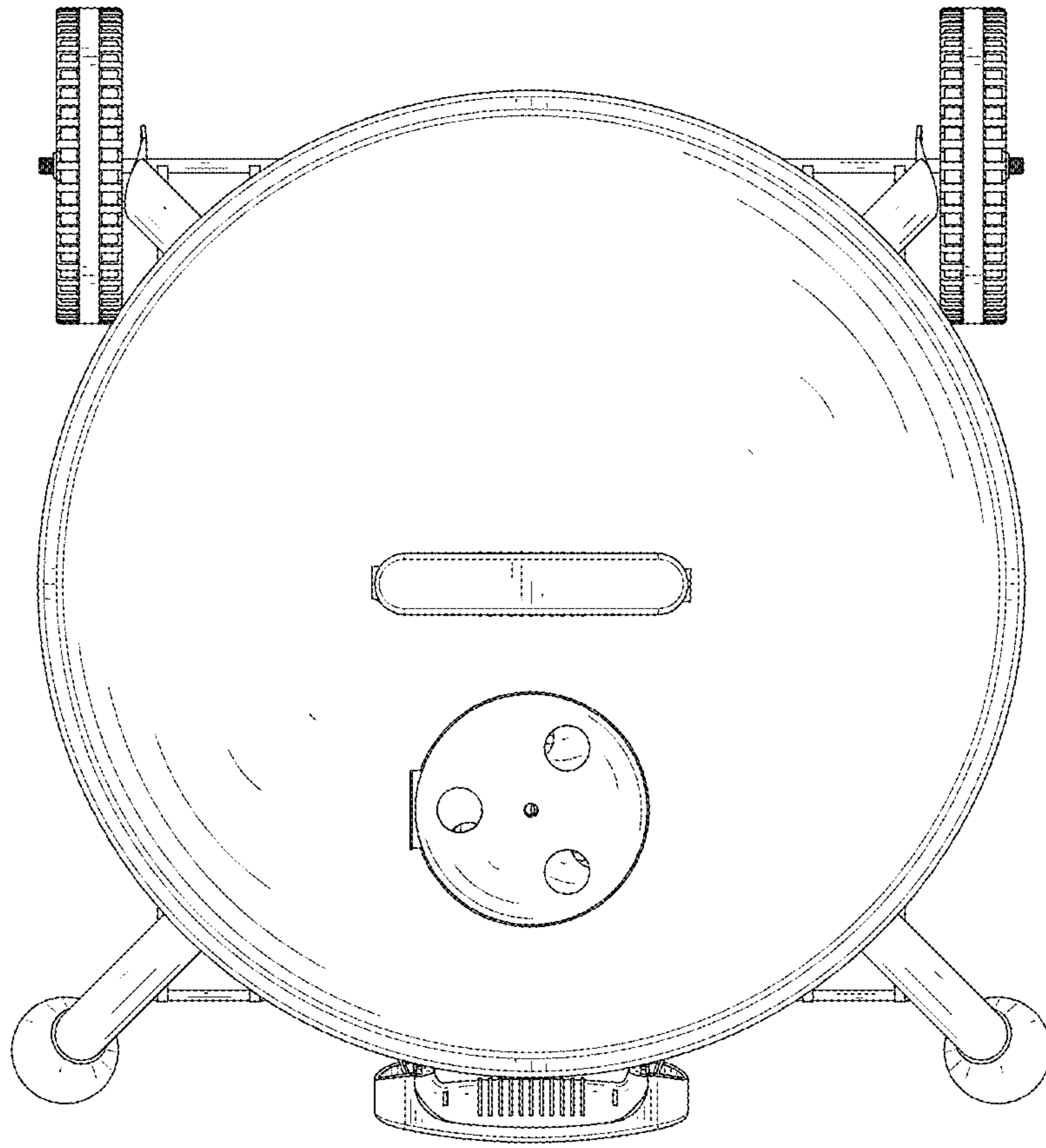


FIG. 7

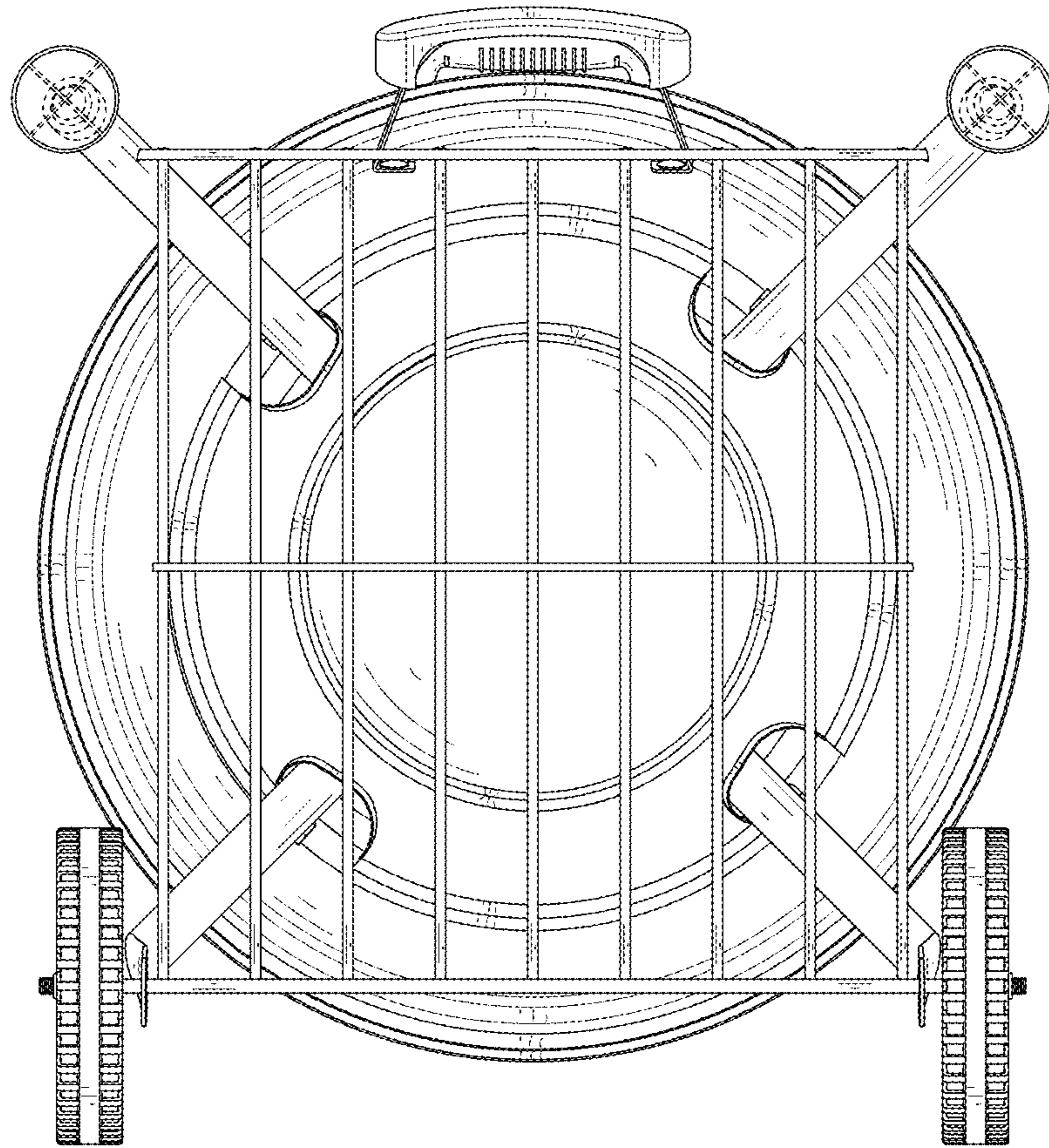


FIG. 8