



US00D914428S

(12) **United States Design Patent**
Bennion et al.

(10) **Patent No.:** **US D914,428 S**
(45) **Date of Patent:** **** Mar. 30, 2021**

(54) **COOKING APPARATUS**

- (71) Applicant: **Weber-Stephen Products LLC**,
Palatine, IL (US)
- (72) Inventors: **Derek Bennion**, Chicago, IL (US);
Qian Hamel, Evanston, IL (US);
Carmen O. Lira-Nunez, Downers
Grove, IL (US)
- (73) Assignee: **WEBER-STEPHEN PRODUCTS
LLC**, Palatine, IL (US)
- (**) Term: **15 Years**

- (21) Appl. No.: **29/694,198**
- (22) Filed: **Jun. 7, 2019**
- (51) **LOC (13) Cl.** **07-02**
- (52) **U.S. Cl.**
USPC **D7/334**
- (58) **Field of Classification Search**
USPC D7/323, 332, 334, 337, 338, 339, 362,
D7/387, 402, 406, 409; D6/601
CPC .. A47J 36/00; A47J 37/00; A47J 37/04; A47J
37/06; A47J 37/0664; A47J 37/07; A47J
37/0704; A47J 37/0713; A47J 37/0709;
A47J 37/0718; A47J 37/0727; A47J
37/0731; A47J 37/0736; A47J 37/0768;
A47J 37/0786; A47J 2037/0617; A47J
2037/0795; F24B 13/00; F24B 13/02;
F24B 13/04
See application file for complete search history.

- (56) **References Cited**
U.S. PATENT DOCUMENTS
D179,345 S 12/1956 Henry et al.
4,823,684 A 4/1989 Traeger et al.
5,251,607 A 10/1993 Traeger et al.
(Continued)

- FOREIGN PATENT DOCUMENTS
CN 209186432 * 8/2019 A47J 37/07

OTHER PUBLICATIONS

Design No. 305340216, Sep. 10, 2019—China National Intellectual Property Administration (CNIPA) Publication Date—Sep. 10, 2019 Owner—Dongguan Ningde Precision Technology Co Ltd, Designer—Cheng Xing WIPO, available at <https://www3.wipo.int/designdb/en/index.jsp> (Year: 2019).*

(Continued)

Primary Examiner — Mary Ann Calabrese
Assistant Examiner — Natalya M Rapundalo
(74) *Attorney, Agent, or Firm* — Hanley, Flight & Zimmerman, LLC

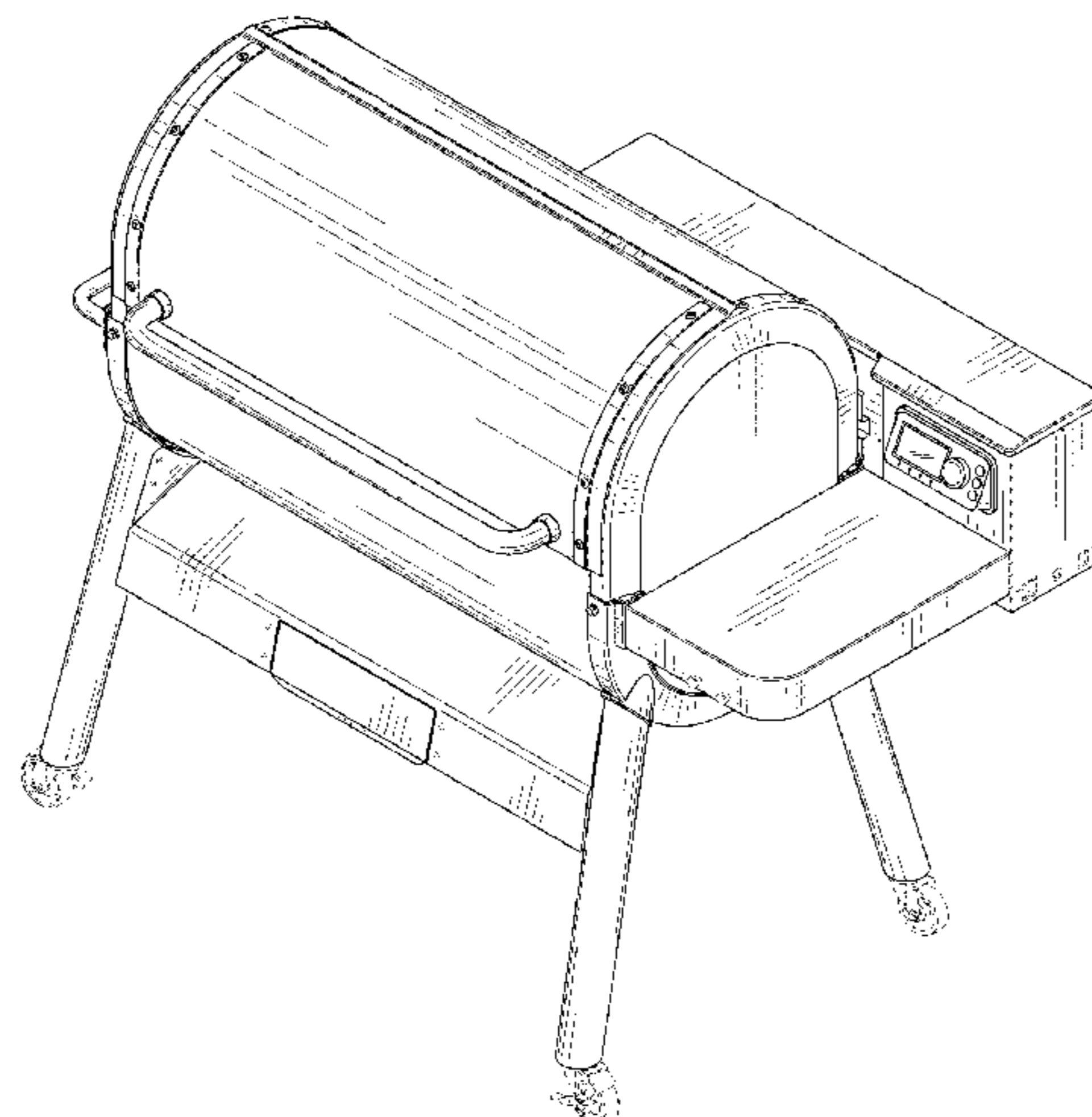
(57) **CLAIM**

The ornamental design for a “cooking apparatus”, as shown and described.

DESCRIPTION

FIG. 1 is a front right perspective view of a cooking apparatus.
FIG. 2 is a front left perspective view of the cooking apparatus of FIG. 1.
FIG. 3 is a rear perspective view of the cooking apparatus of FIG. 1.
FIG. 4 is a front view of the cooking apparatus of FIG. 1.
FIG. 5 is a rear view of the cooking apparatus of FIG. 1.
FIG. 6 is a left side view of the cooking apparatus of FIG. 1.
FIG. 7 is a right side view of the cooking apparatus of FIG. 1.
FIG. 8 is a top view of the cooking apparatus of FIG. 1.
FIG. 9 is a bottom view of the cooking apparatus of FIG. 1; and,
FIG. 10 is an enlarged, rear perspective view of the cooking apparatus of FIG. 1.
The features shown in broken lines form no part of the claimed design.

1 Claim, 10 Drawing Sheets



(56)

References Cited

U.S. PATENT DOCUMENTS

5,429,110	A	7/1995	Burke et al.	
6,223,737	B1	5/2001	Buckner	
7,900,553	B1	3/2011	Maurin	
8,267,078	B2	9/2012	Kuntz	
D695,055	S	12/2013	Measom et al.	
8,833,360	B2	9/2014	Knight	
D733,483	S	7/2015	Baker et al.	
9,186,020	B1	11/2015	Phillips	
D760,539	S	7/2016	Colston	
9,585,518	B1	3/2017	Phillips	
9,635,978	B2	5/2017	Measom et al.	
9,814,354	B2	11/2017	McAdams et al.	
9,913,559	B2	3/2018	Polter et al.	
9,930,991	B2	4/2018	Traeger	
D817,091	S	5/2018	Colston	
D825,990	S	8/2018	Colston et al.	
D827,368	S	9/2018	Colston	
D827,370	S	9/2018	Colston	
D827,371	S	9/2018	Colston et al.	
D829,499	S	10/2018	Colston	
10,105,007	B2	10/2018	Colston et al.	
D839,047	S *	1/2019	Colston	A47J 37/0704 D7/402
10,213,051	B2	2/2019	Colston et al.	
10,330,322	B2	6/2019	Measom et al.	
2005/0217659	A1	10/2005	McClenahan	
2013/0174834	A1	7/2013	Measom et al.	
2013/0298894	A1	11/2013	Kleinsasser	
2014/0326232	A1	11/2014	Traeger	
2014/0326233	A1	11/2014	Traeger	
2016/0327263	A1	11/2016	Traeger	
2017/0065124	A1	3/2017	Colston	
2017/0164783	A1	6/2017	Sauerwein et al.	
2017/0176018	A1	6/2017	Traeger	
2018/0070772	A1	3/2018	McAdams et al.	
2018/0168395	A1	6/2018	Colston	
2018/0168397	A1	6/2018	Colston	
2019/0133374	A1	5/2019	McAdams et al.	
2019/0150663	A1	5/2019	Colston et al.	
2020/0040926	A1 *	2/2020	Colston	F16B 12/52
2020/0214501	A1 *	7/2020	Gafford	A47J 37/0704
2020/0240643	A1 *	7/2020	Donnelly	H04L 67/125
2020/0281402	A1 *	9/2020	Witzel	F23B 40/02
2020/0305642	A1 *	10/2020	Hancock	F24C 15/001

OTHER PUBLICATIONS

Weber SmokeFire Pellet Grill Review, first available Nov. 27, 2019, YouTube, [online], [site visited Dec. 17, 2020], Available from internet URL: <https://www.youtube.com/watch?v=iRSdgBebvLY&feature=youtu.be> (Year: 2019).*

Design No. 007342720-0001-0010, Dec. 5, 2019—European Union Intellectual Property Office (EUIPO) Publication Date—Mar. 4, 2020 Owner—Weber-Stephen Products LLC, Designer—Derek Bennion et. al. DesignView, available at www.tmdn.org/tmdsview-web/welcome (Year: 2020).*

Design No. 305771754, May 12, 2020—China National Intellectual Property Administration (CNIPA) Publication Date—May 12, 2020 Owner—Weber-Stephen Products Co, Designer—Hirth Andreas et. al. WIPO, available at <https://www3.wipo.int/designdb/en/index.jsp> (Year: 2020).*

Design No. 305816794, Jun. 2, 2020—China National Intellectual Property Administration (CNIPA) Publication Date—Jun. 2, 2020

Owner—Weber-Stephen Products Co, Designer—D. Bennian et. al. WIPO, available at <https://www3.wipo.int/designdb/en/index.jsp> (Year: 2020).*

Design No. 007974985-0013, May 29, 2020—European Union Intellectual Property Office (EUIPO) Publication Date—Jun. 30, 2020 Owner—Canbolat Holding GmbH DesignView, available at www.tmdn.org/tmdsview-web/welcome (Year: 2020).*

Design No. 008018832-0001, Jun. 23, 2020—European Union Intellectual Property Office (EUIPO) Publication Date—Aug. 12, 2020 Owner—Weber-Stephen Products LLC, Designer—Derek Bennion et. al. DesignView, available at www.tmdn.org/tmdsview-web/welcome (Year: 2020).*

Broil King Pellet 500 Pro, Lowes, [online], [site visited Dec. 21, 2020], Available from internet URL: <https://www.lowes.com/pd/Broil-King-Pellet-500-Pro-630-sq-in-Black-Pellet-Grill/1000894100> (Year: 2020).*

SmokeFire EX4 (2nd Gen) Wood Fired Pellet Grill, [online], [site visited Dec. 17, 2020], Available from internet URL: <https://www.weber.com/US/en/grills/wood-pellet-grills/smokefire-series/22510201.html> (Year: 2020).*

SmokeFire EX6 (2nd Gen) Wood Fired Pellet Grill, [online], [site visited Dec. 17, 2020], Available from internet URL: <https://www.weber.com/US/en/grills/wood-pellet-grills/smokefire-series/23510201.html> (Year: 2020).*

Traeger Timberline 1300 Pellet Grill, [online], [site visited Dec. 21, 2020], Available from internet URL: <https://www.traegergrills.com/pellet-grills/timberline/1300> (Year: 2020).*

Traeger Ironwood 650 Pellet Grill, [online], [site visited Dec. 21, 2020], Available from internet URL: <https://www.traegergrills.com/pellet-grills/ironwood/650> (Year: 2020).*

IP Australia, “Certificate of examination,” issued in connection with Australian Design Application No. 201916738, dated May 8, 2020, 2 pages.

IP Australia, “Certificate of examination,” issued in connection with Australian Design Application No. 201916740, dated May 8, 2020, 2 pages.

IP Australia, “Certificate of examination,” issued in connection with Australian Design Application No. 201916742, dated May 8, 2020, 2 pages.

IP Australia, “Certificate of examination,” issued in connection with Australian Design Application No. 201916743, dated May 8, 2020, 2 pages.

IP Australia, “Certificate of examination,” issued in connection with Australian Design Application No. 201916744, dated May 8, 2020, 2 pages.

IP Australia, “Certificate of examination,” issued in connection with Australian Design Application No. 201916745, dated May 11, 2020, 2 pages.

IP Australia, “Certificate of examination,” issued in connection with Australian Design Application No. 201916746, dated May 11, 2020, 2 pages.

IP Australia, “Certificate of examination,” issued in connection with Australian Design Application No. 201916751, dated May 11, 2020, 2 pages.

IP Australia, “Certificate of examination,” issued in connection with Australian Design Application No. 201916752, dated May 11, 2020, 2 pages.

IP Australia, “Certificate of examination,” issued in connection with Australian Design Application No. 201916753, dated May 11, 2020, 2 pages.

China National Intellectual Property Administration, “Notice of Decision of Grant of Patent Right for Design,” issued in connection with Chinese Patent Application No. 201930653629.X, dated Apr. 9, 2020, 4 pages.

* cited by examiner

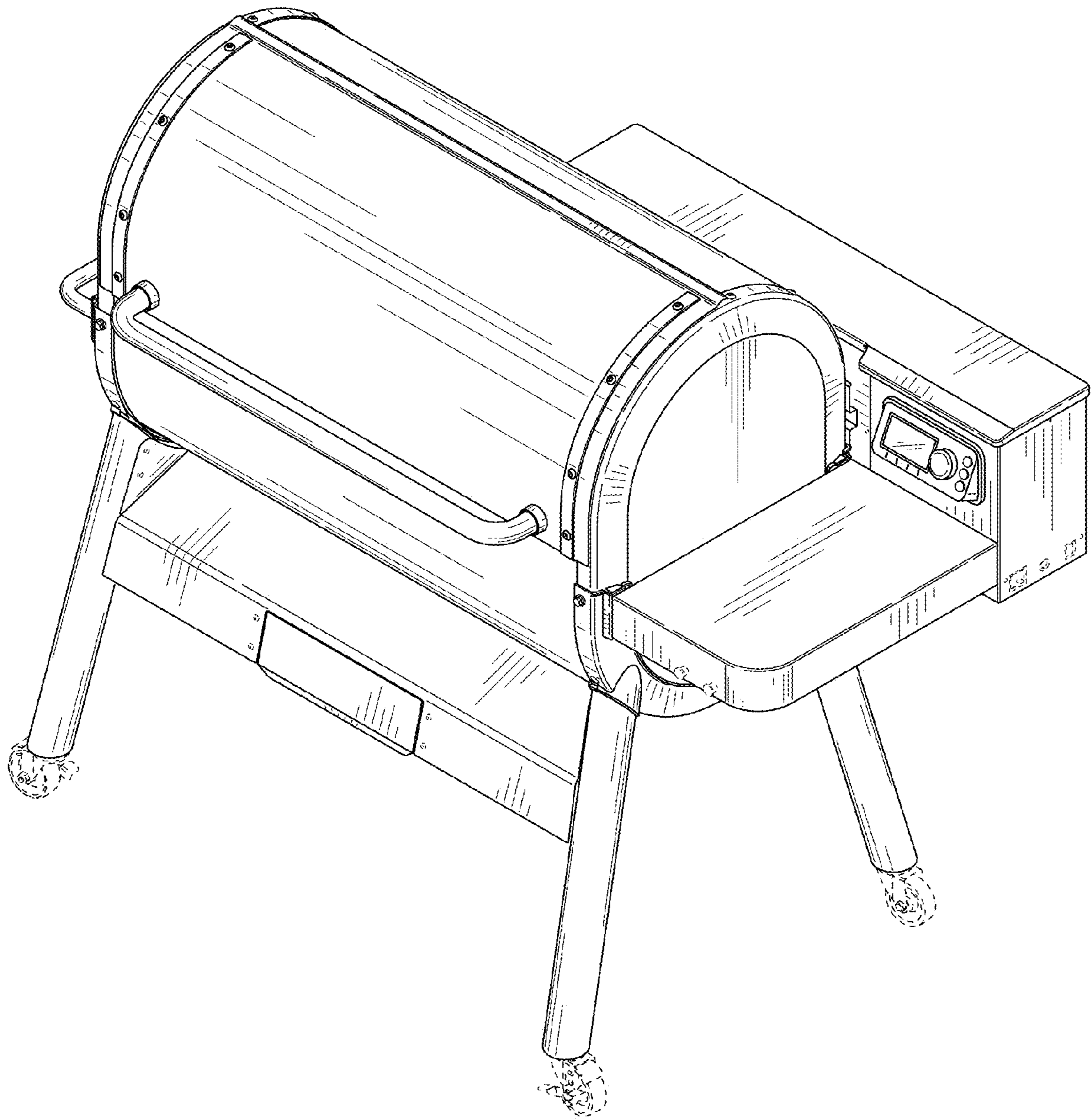


FIG. 1

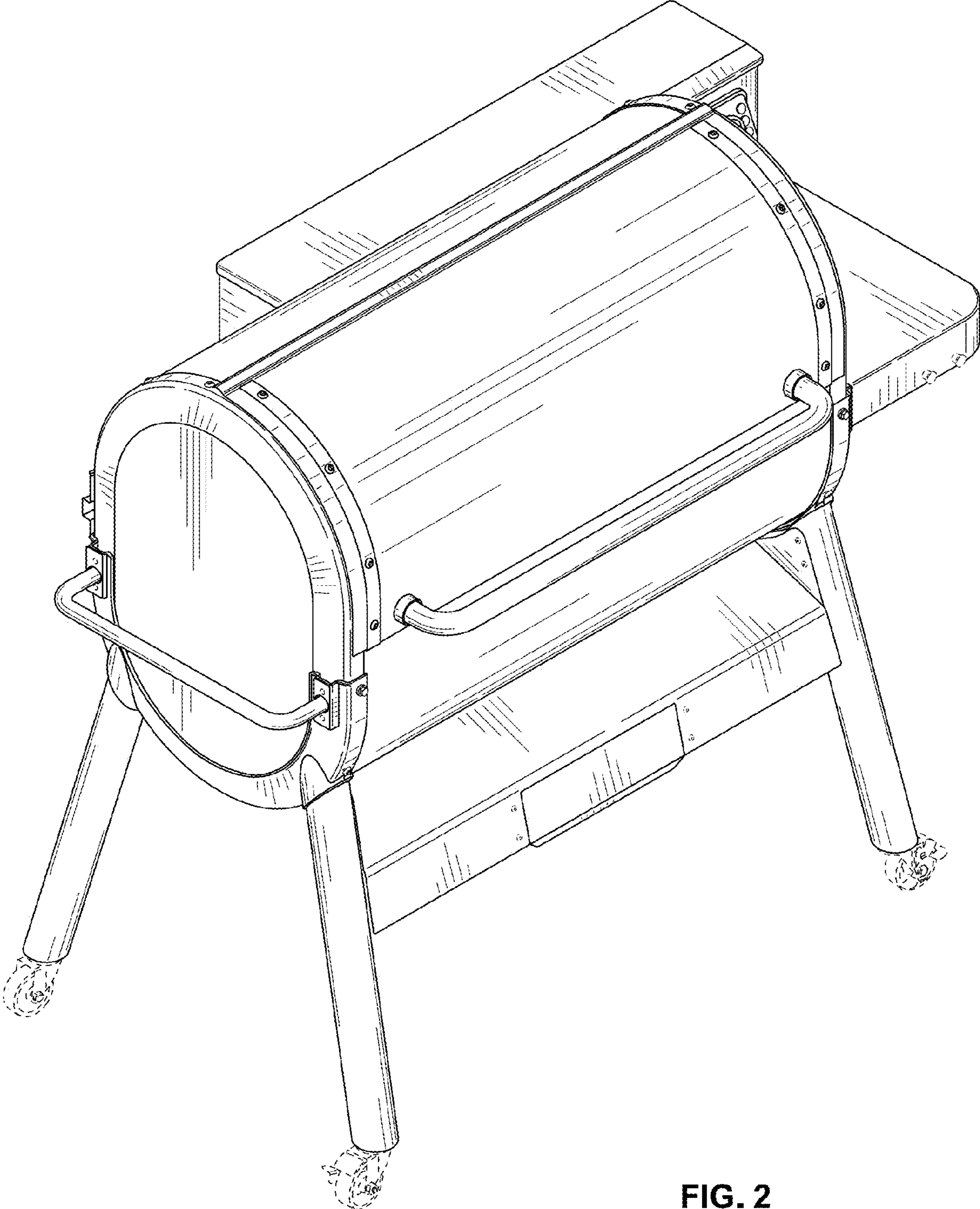


FIG. 2

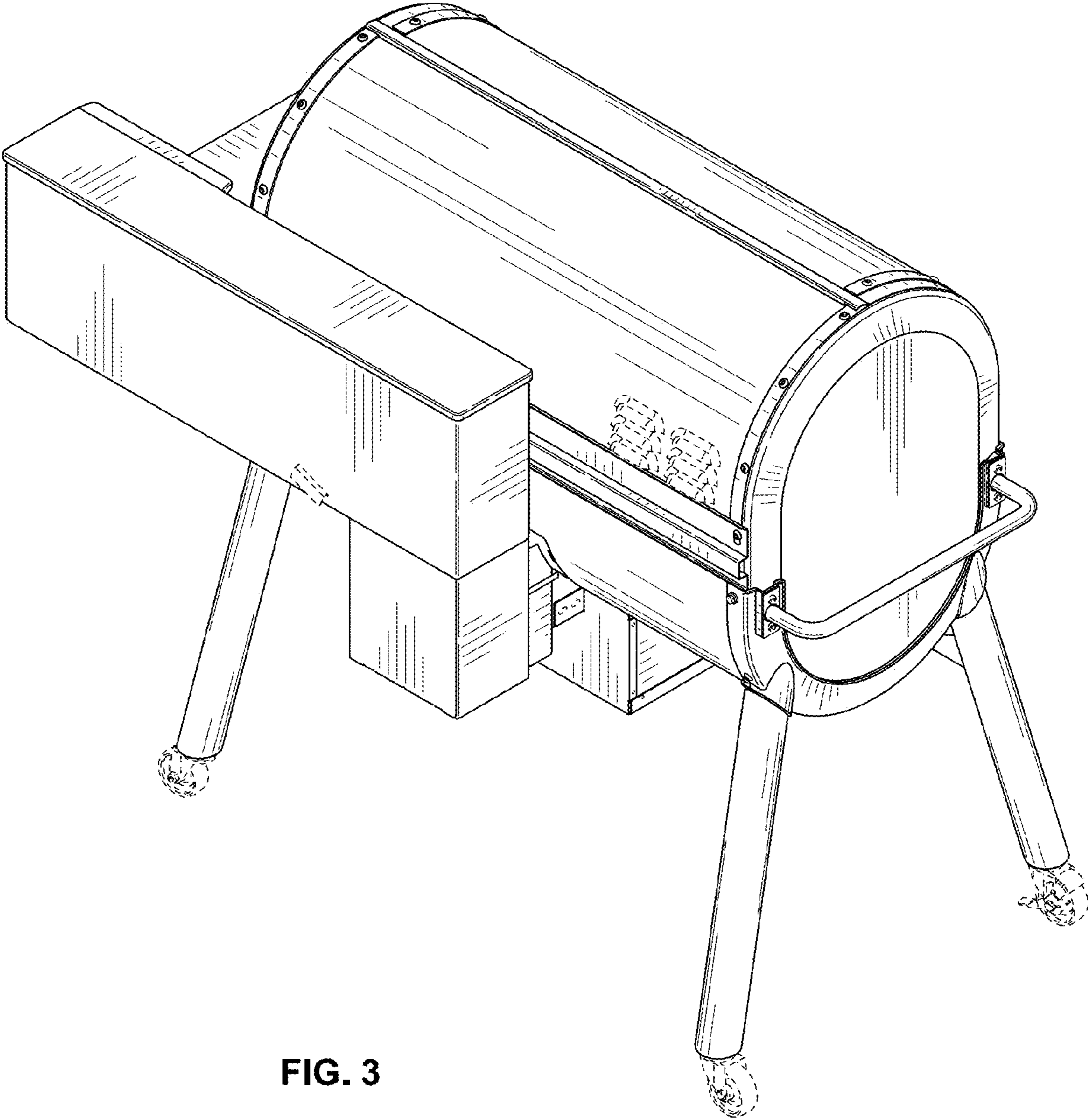


FIG. 3

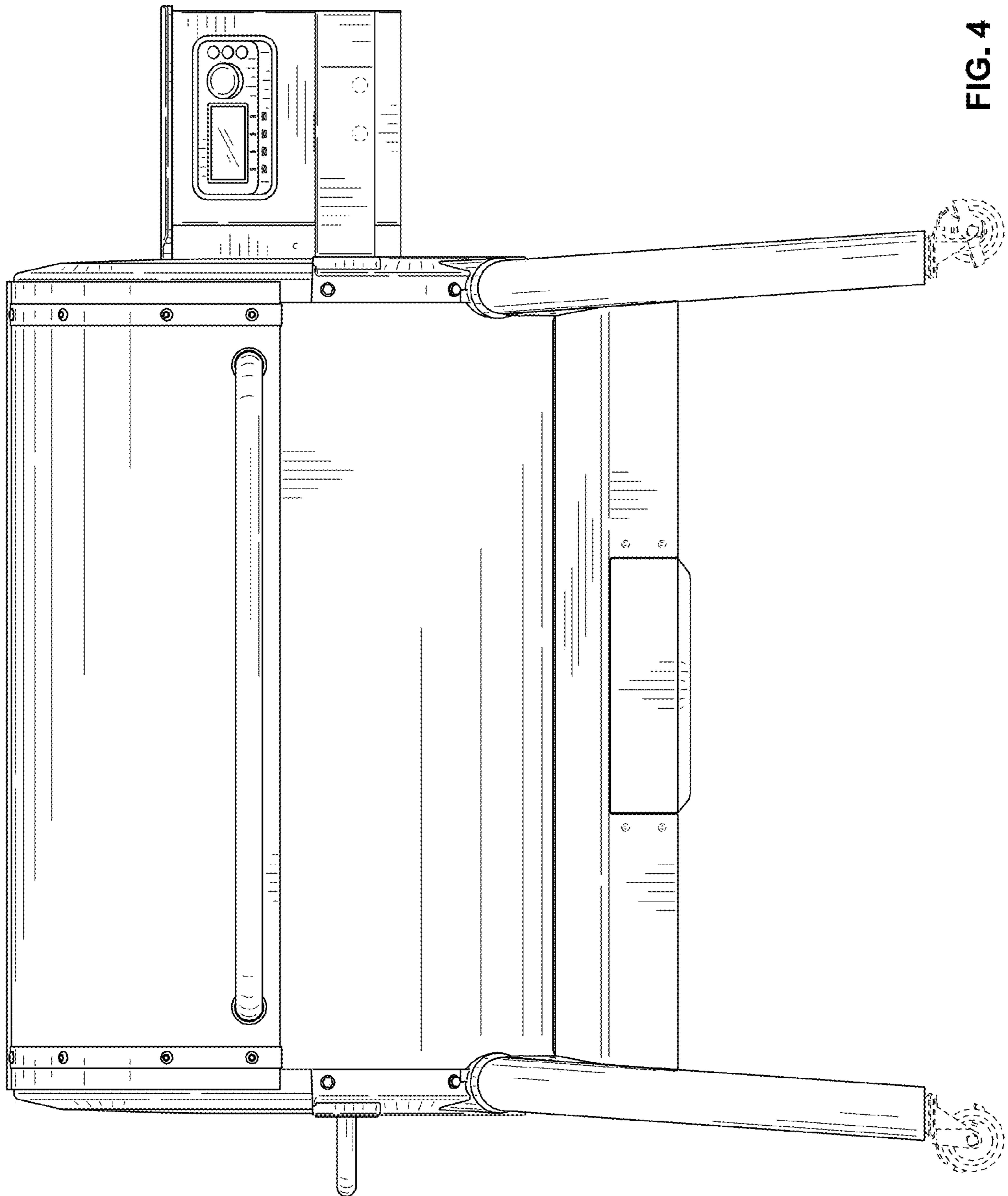


FIG. 4

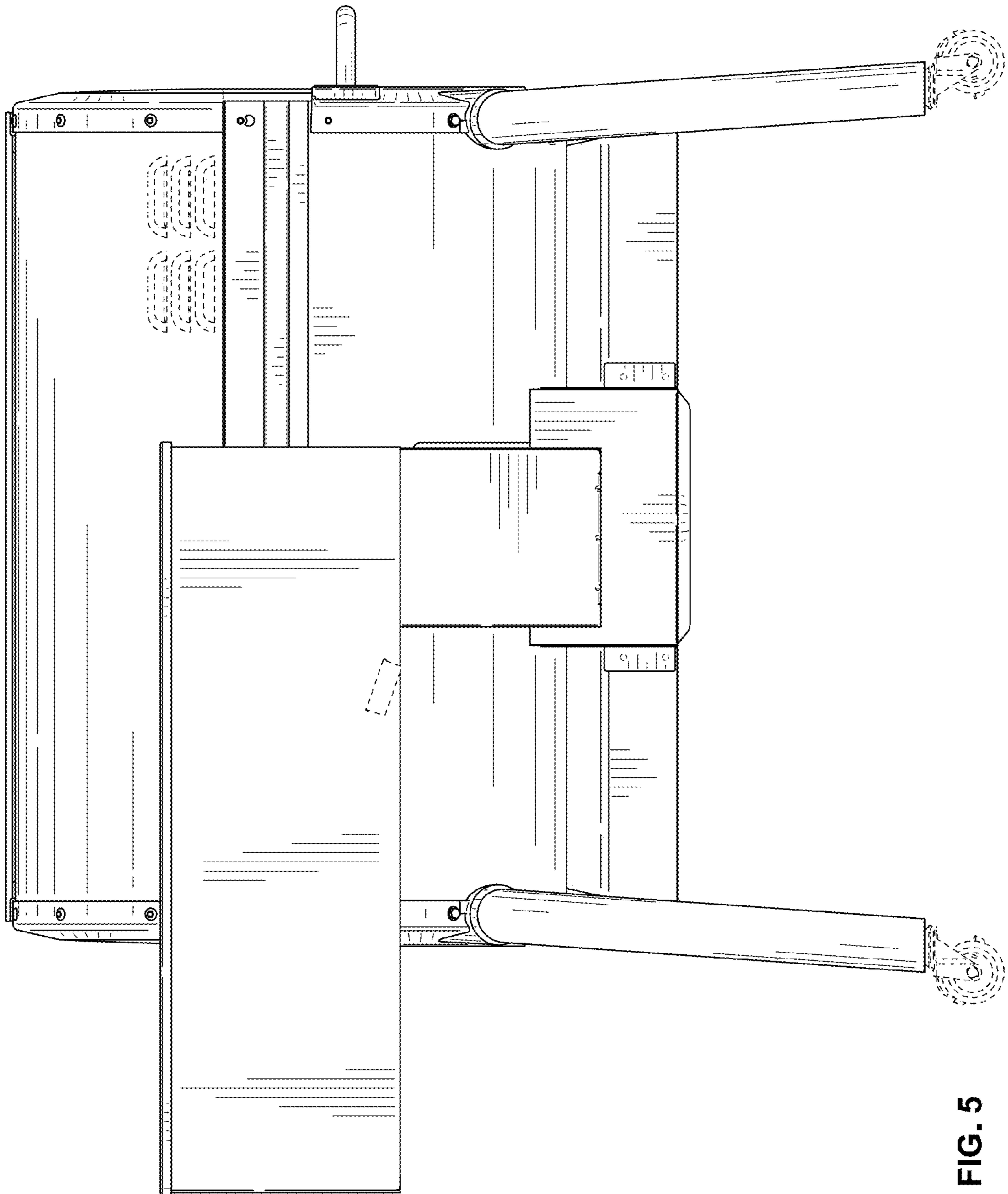


FIG. 5

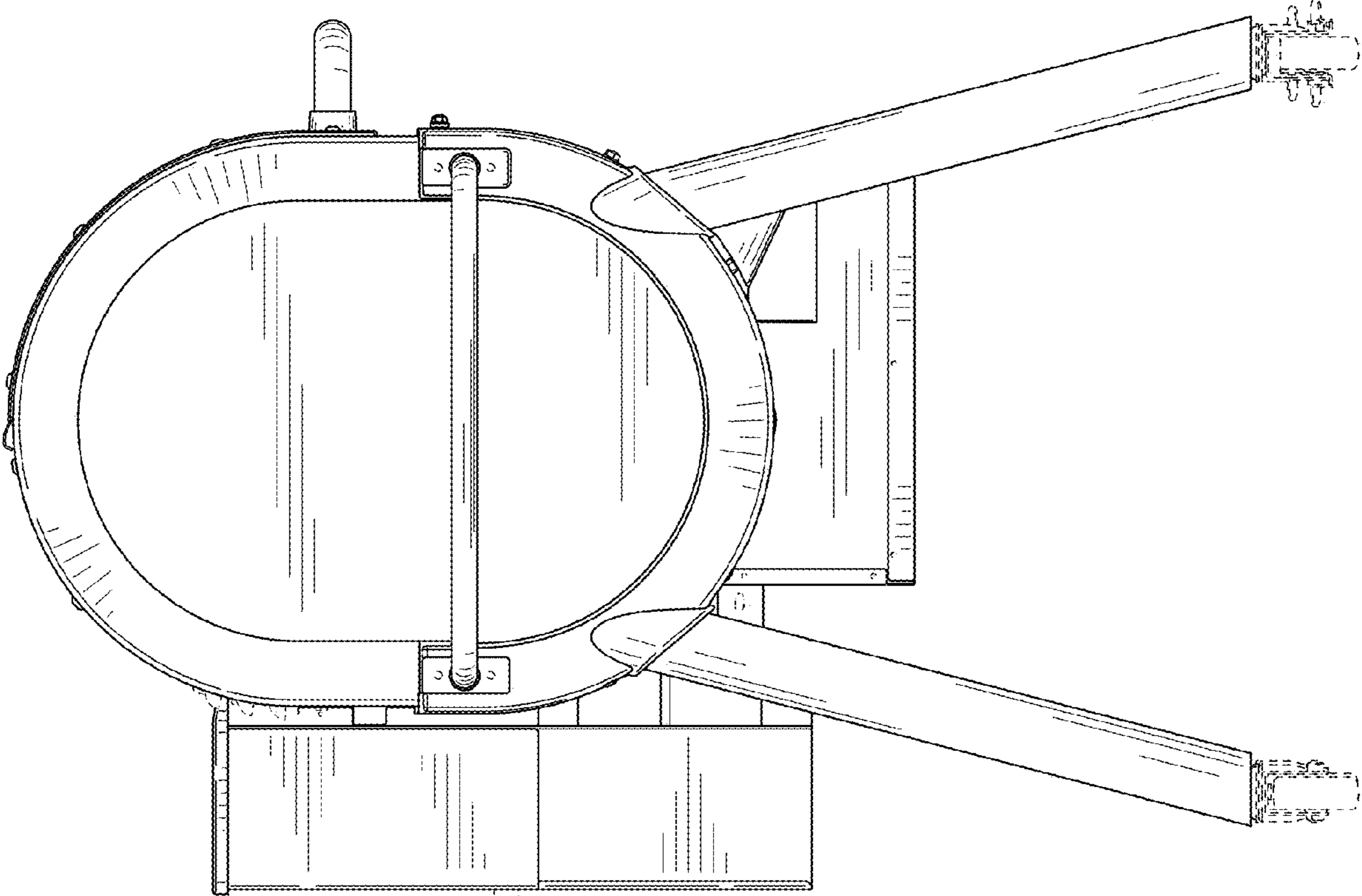


FIG. 6

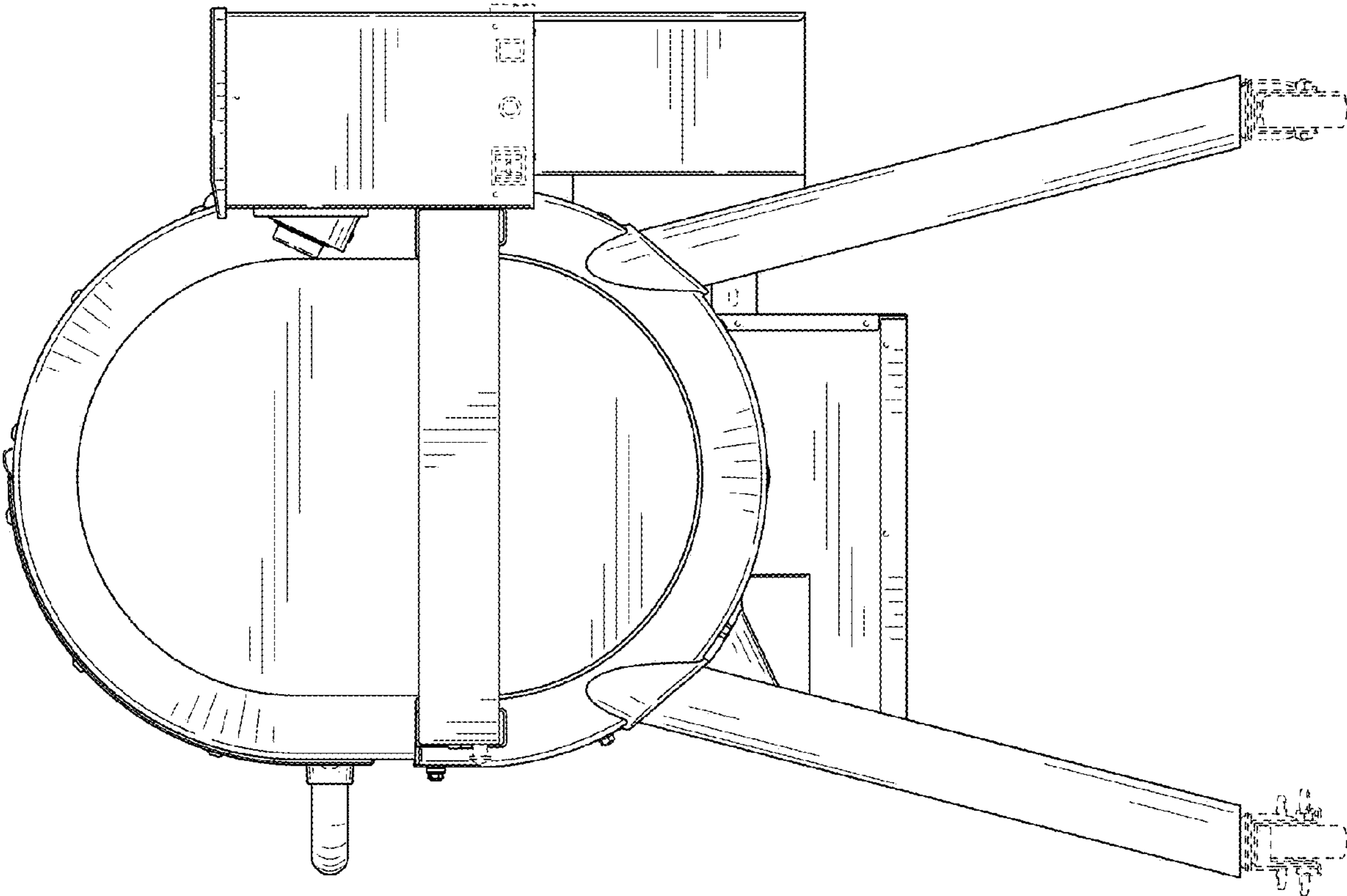


FIG. 7

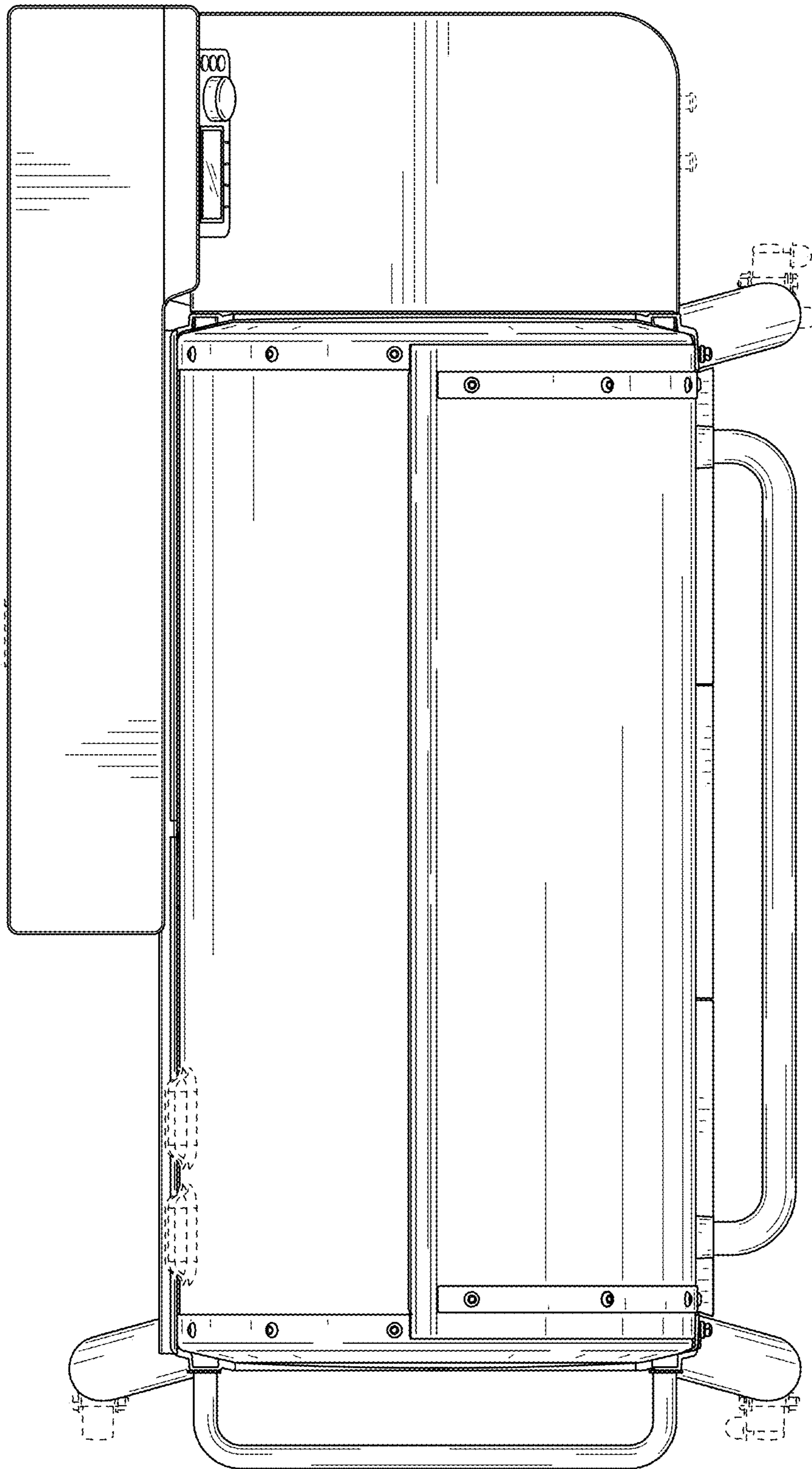


FIG. 8

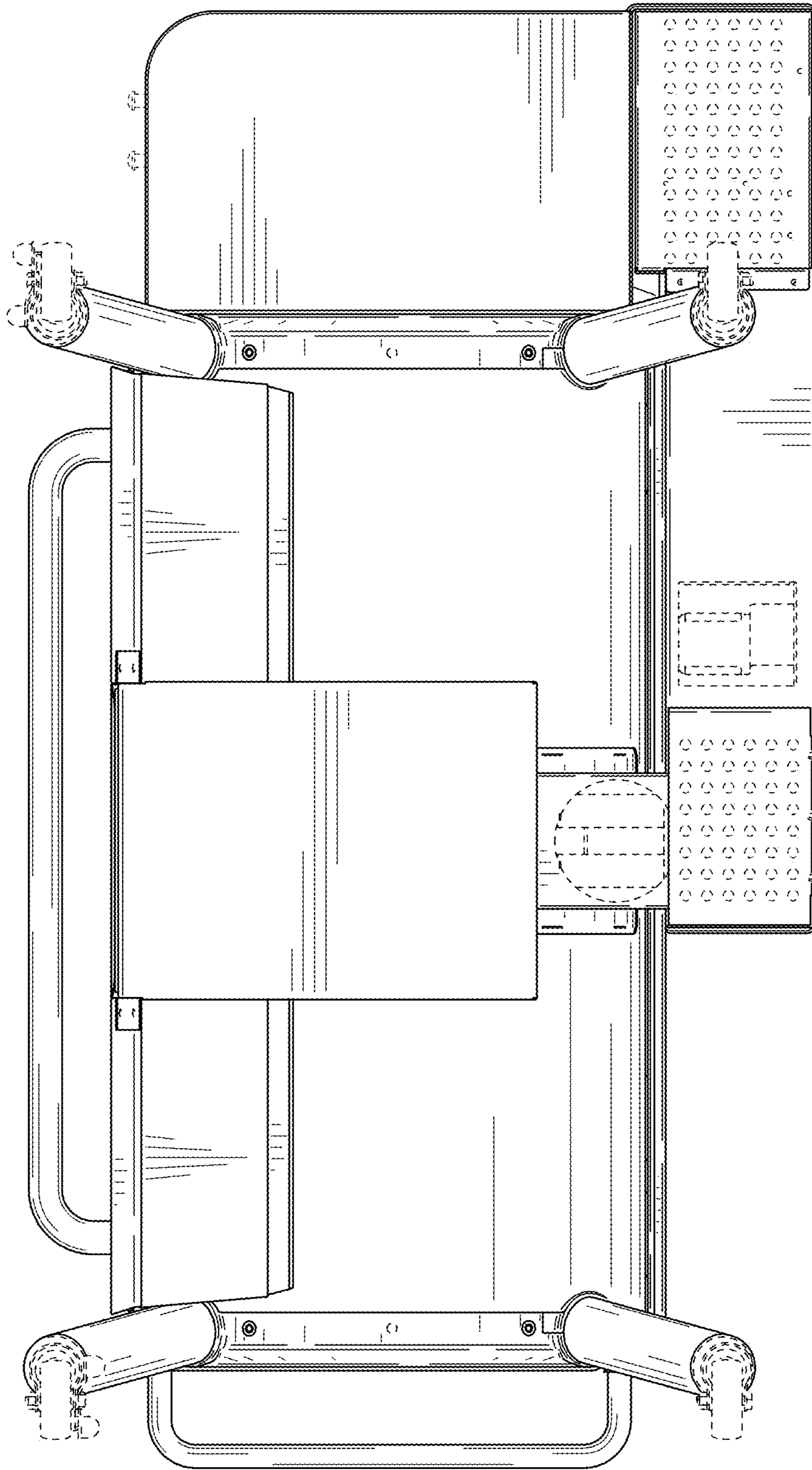


FIG. 9

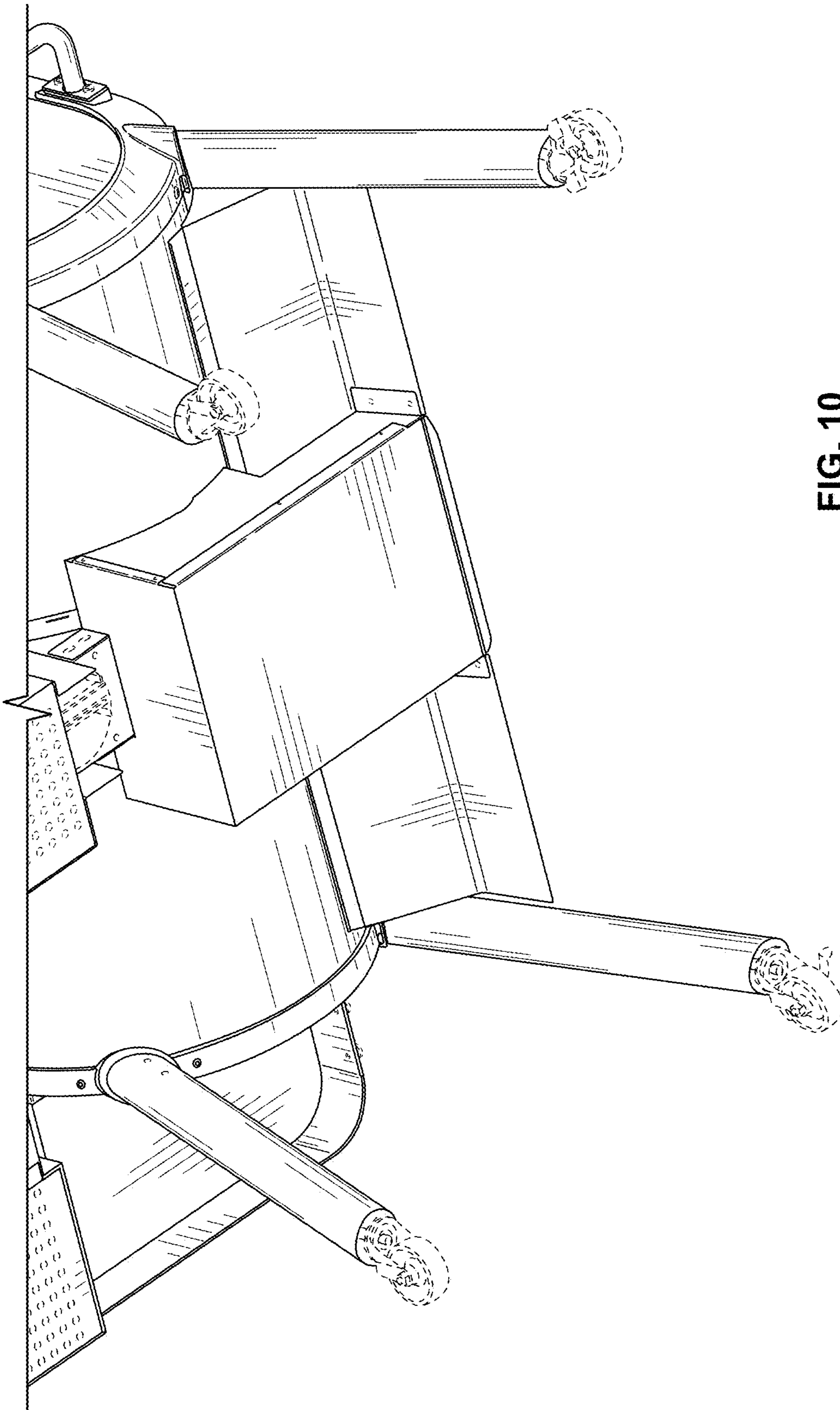


FIG. 10