



US00D914427S

(12) **United States Design Patent**
Walker et al.

(10) **Patent No.:** **US D914,427 S**
(45) **Date of Patent:** **** Mar. 30, 2021**

- (54) **BUN TOASTER**
- (71) Applicants: **David L. Walker**, Minoka, IL (US);
Debra J. Walker, Minoka, IL (US)
- (72) Inventors: **David L. Walker**, Minoka, IL (US);
Debra J. Walker, Minoka, IL (US)
- (**) Term: **15 Years**
- (21) Appl. No.: **29/719,584**

D253,218 S *	10/1979	Johnson	D7/352
4,214,517 A	7/1980	Caldwell		
4,436,023 A *	3/1984	Takahashi	A47J 36/38
				126/299 D
D292,581 S *	11/1987	Yoshiharu	379/434
D303,606 S *	9/1989	Hatanaka	D7/351
D347,031 S *	5/1994	Axtell	D21/440
D405,240 S *	2/1999	Weiss	D2/897
D440,680 S *	4/2001	Hickmann	D1/101
D488,667 S *	4/2004	Seum	D7/352
D544,343 S *	6/2007	Liebe	D28/78
D586,174 S *	2/2009	Averty	D7/352

(Continued)

- (22) Filed: **Jan. 6, 2020**
- (51) **LOC (13) Cl.** **07-02**
- (52) **U.S. Cl.**
USPC **D7/328**

FOREIGN PATENT DOCUMENTS

WO WO02102217 12/2002

- (58) **Field of Classification Search**
USPC D7/328, 329, 330, 331, 339, 340, 341,
D7/342, 343, 344, 345, 346, 347, 348,
D7/349, 351, 352, 390, 402, 405, 406
CPC A47J 37/08; A47J 37/0807; A47J 37/0814;
A47J 37/0821; A47J 37/0828; A47J
37/0835; A47J 37/0842; A47J 37/085;
A47J 37/0857; A47J 37/0864; A47J
37/0871; A47J 37/0878; A47J 37/0885;
A47J 37/0892; A47J 37/0611; A47J
37/0623; A47J 37/0629; A47J 37/00;
A47J 37/04; A47J 37/06; A21B 1/50;
A21B 1/52; A21B 5/00; F24C 15/02;
F24C 15/04; F24C 15/10

OTHER PUBLICATIONS

Cheeseburger Hand Warming Mouse Pad, announced Jan. 7, 2014
[online], retrieved Nov. 2, 2020, retrieved from internet, <https://oddtymall.com/cheeseburger-hand-warming-mouse-pad>.*

(Continued)

Primary Examiner — Dana K Weiland
Assistant Examiner — Messina L Smith

See application file for complete search history.

(57) **CLAIM**

The ornamental design for a bun toaster, as shown and described.

(56) **References Cited**

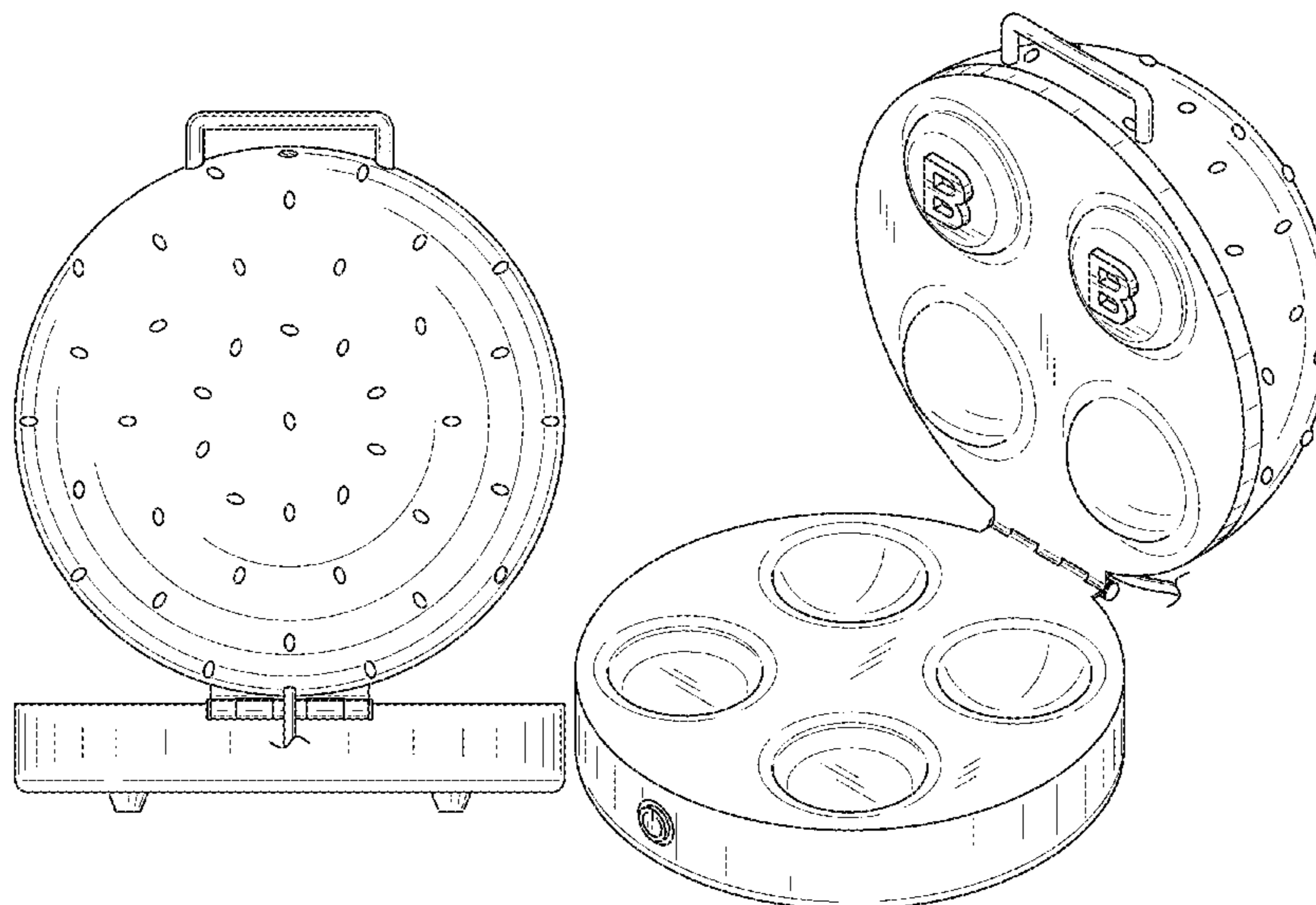
U.S. PATENT DOCUMENTS

1,969,361 A	8/1934	Fajen		
1,977,084 A	10/1934	Person		
2,601,822 A	7/1952	Hopkins		
2,865,280 A	12/1958	Lamatina		
D216,847 S *	3/1970	Brynge	D7/351
3,792,653 A	2/1974	Davidson		
D250,447 S	12/1978	Levin		

DESCRIPTION

FIG. 1 is a front view of a bun toaster showing my new design;
FIG. 2 is a rear view of the bun toaster;
FIG. 3 is a right side view of the bun toaster;
FIG. 4 is a left side view of the bun toaster;
FIG. 5 is a top view of the bun toaster;
FIG. 6 is a bottom view of the bun toaster; and,
FIG. 7 is a top front side perspective view of the bun toaster.

1 Claim, 5 Drawing Sheets



(56)

References Cited

U.S. PATENT DOCUMENTS

D671,354 S * 11/2012 Ou D7/351
 D679,139 S * 4/2013 Valera D7/409
 D688,083 S * 8/2013 Crick D7/337
 D689,324 S * 9/2013 Hollinger D7/352
 D706,569 S * 6/2014 Fung D7/352
 D714,091 S * 9/2014 Brandani D7/352
 D715,093 S * 10/2014 Ren D7/364
 D751,342 S * 3/2016 Steeb D7/410
 D762,082 S * 7/2016 Miceli D7/352
 D805,834 S * 12/2017 Vela de Pleitez D7/352
 D816,994 S * 5/2018 Fischer D3/294
 D830,097 S * 10/2018 Takayama D7/352
 D839,655 S * 2/2019 Hsieh D7/352
 D842,640 S * 3/2019 Lori D7/352
 D862,833 S * 10/2019 de Bue D1/106
 D876,814 S * 3/2020 Allen D3/201
 D884,306 S * 5/2020 van Eyk D1/106
 2007/0221653 A1 * 9/2007 Krishnan A47J 37/0676
 219/450.1

2008/0196595 A1 * 8/2008 Krishnan A47J 37/0892
 99/378
 2011/0011277 A1 * 1/2011 Bond A47J 37/0611
 99/375
 2012/0017774 A1 1/2012 Martinez
 2018/0125297 A1 * 5/2018 Walker A47J 37/0611
 2018/0317500 A1 * 11/2018 Patel A21D 13/33

OTHER PUBLICATIONS

USB Burger Hand Warmer and Massager, announced © 2015 [online], retrieved Nov. 2, 2020, retrieved from internet, https://usb.brand.com/usb-burger-hand-warmer-and-massager_p01283c050d15.html.*

Hamburger Cheeseburger Burger Phone Telephone, no announcement date [online], retrieved Nov. 2, 2020, retrieved from internet, <https://www.amazon.ca/Hamburger-Cheeseburger-Burger-Phone-Telephone/dp/B01BHCTYCY>.*

* cited by examiner

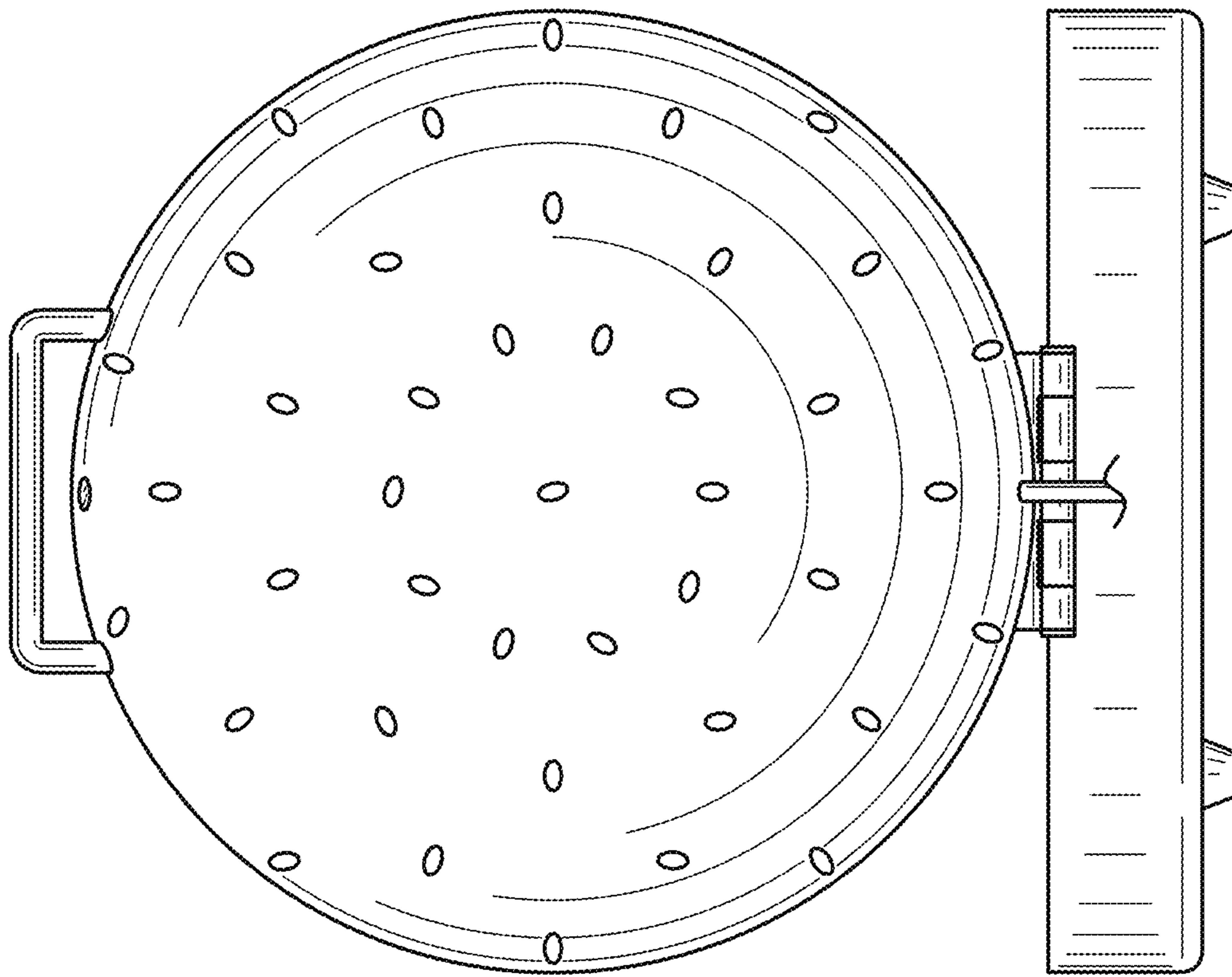


FIG. 1

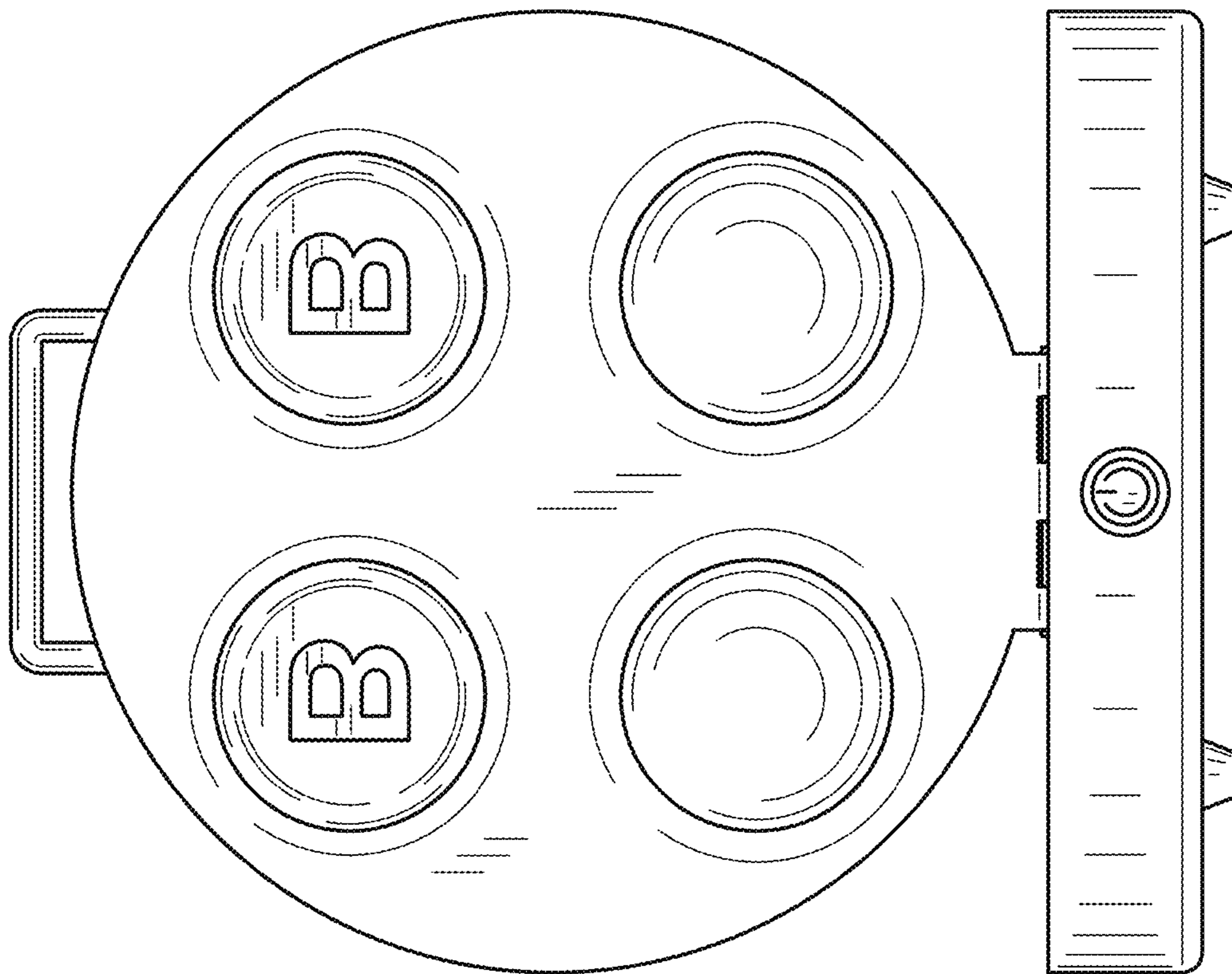


FIG. 2

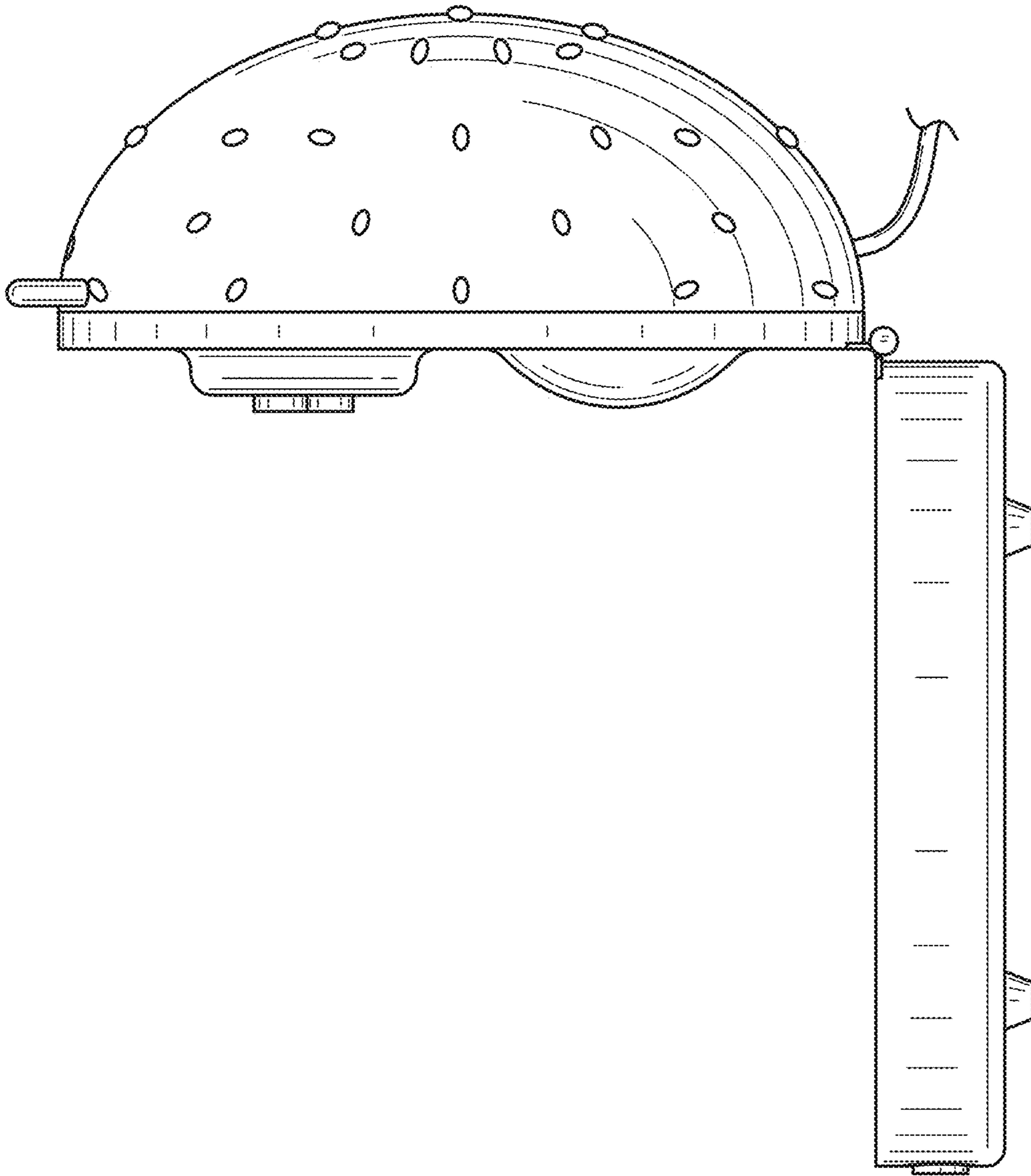


FIG. 3

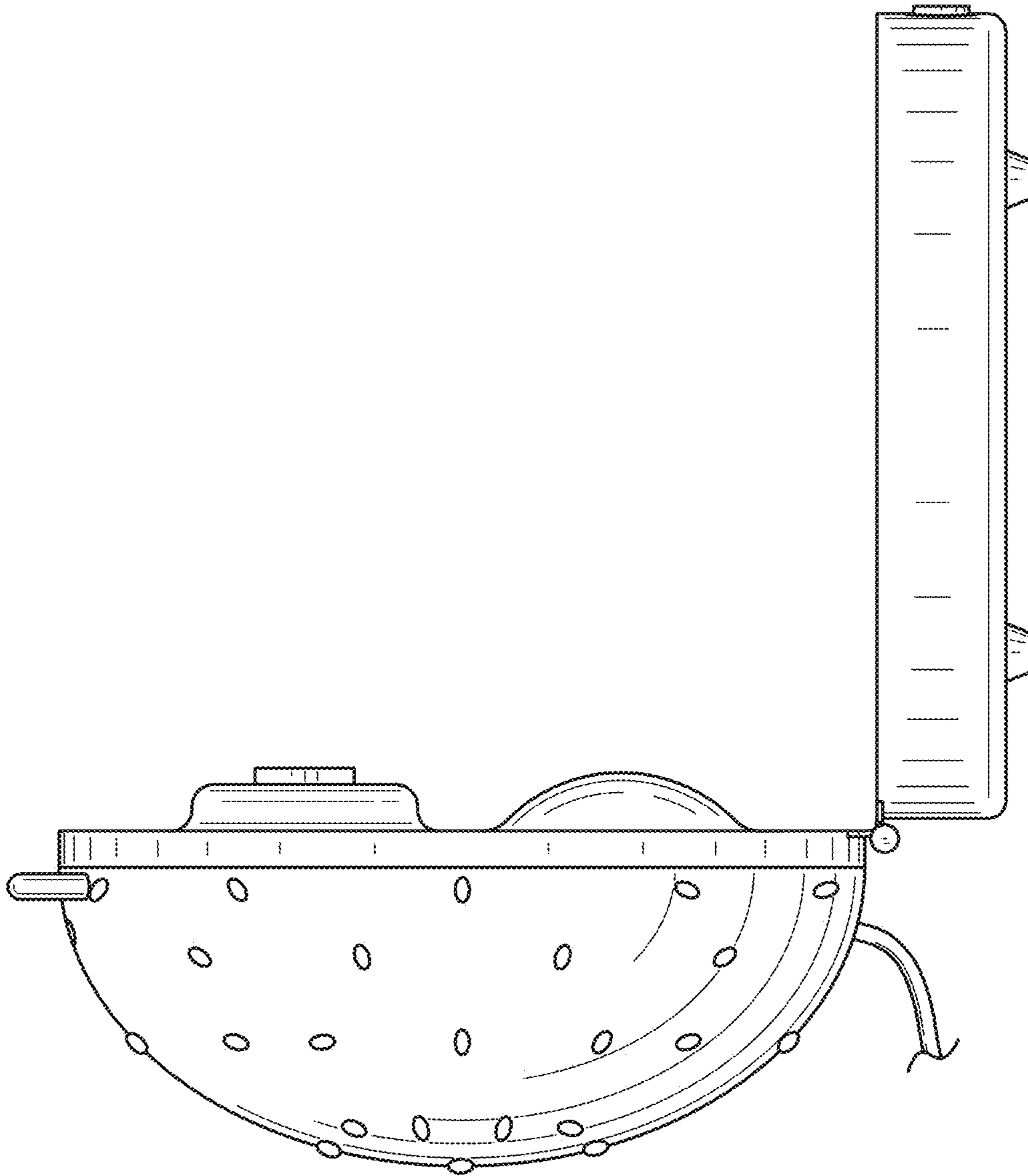


FIG. 4

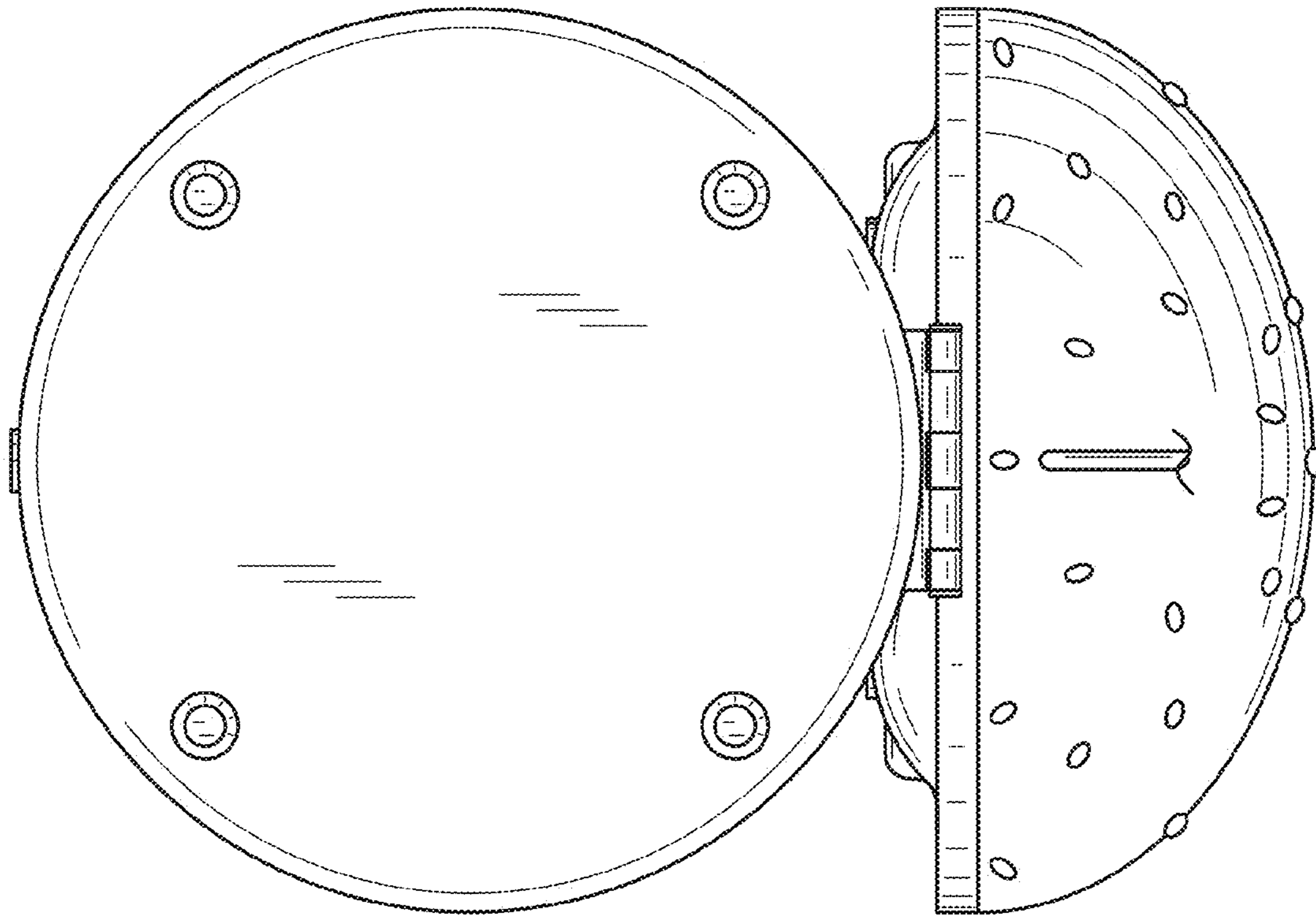


FIG. 5

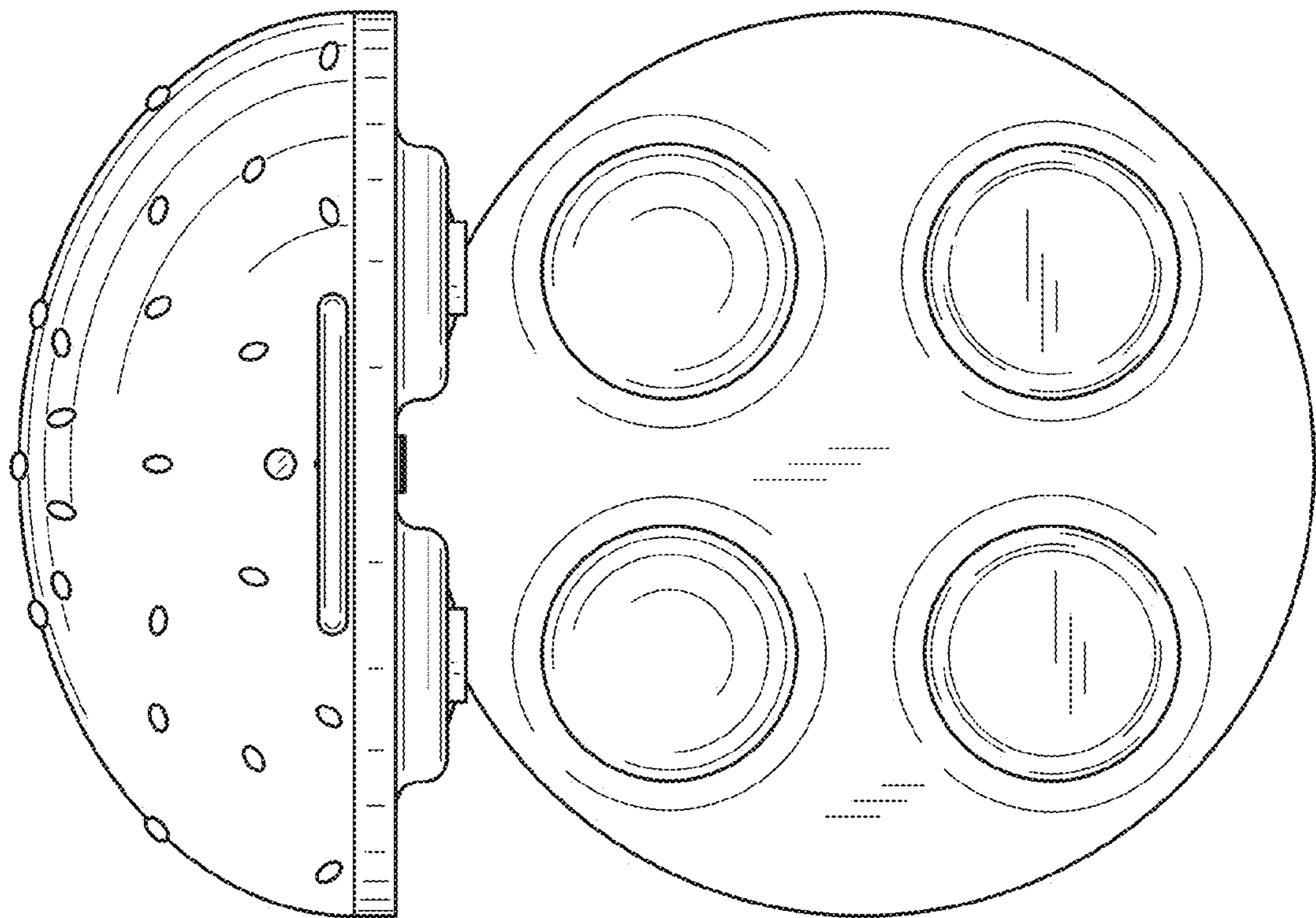


FIG. 6

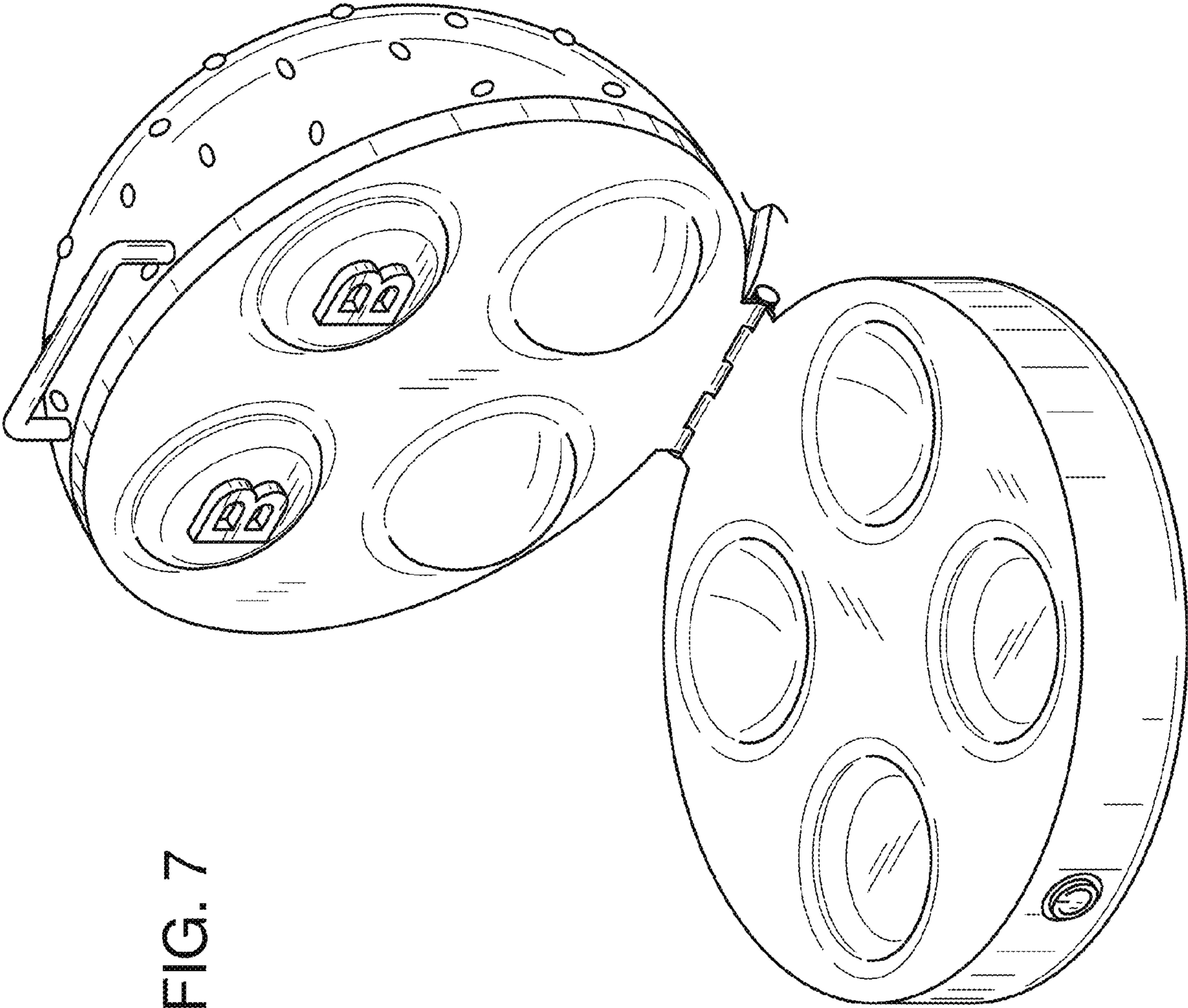


FIG. 7