



US00D914425S

(12) **United States Design Patent** (10) **Patent No.:** **US D914,425 S**  
**Singh** (45) **Date of Patent:** **\*\* Mar. 30, 2021**

(54) **GUN SHAPED DECANTER SET**  
(71) Applicant: **Mukul Singh**, Winnipeg (CA)  
(72) Inventor: **Mukul Singh**, Winnipeg (CA)  
(\*\*) Term: **15 Years**  
(21) Appl. No.: **29/701,341**  
(22) Filed: **Aug. 10, 2019**  
(51) **LOC (13) Cl.** ..... **07-01**  
(52) **U.S. Cl.**  
USPC ..... **D7/301; D7/507; D9/680**  
(58) **Field of Classification Search**  
USPC ..... D7/515, 507, 505, 300, 301, 306, 514,  
D7/300.1, 302; D9/680  
CPC .. B01F 13/002; B01F 3/04744; B65D 47/043;  
B65D 23/00  
See application file for complete search history.

D799,273 S \* 10/2017 Wright ..... D7/515  
D826,640 S \* 8/2018 Hirschhorn ..... D7/507  
D871,146 S \* 12/2019 Herbert ..... D7/515  
D889,893 S \* 7/2020 Godinger ..... D7/301  
2008/0087689 A1\* 4/2008 Mattern ..... G01F 11/262  
222/454  
2017/0021981 A1\* 1/2017 Escudero Prior .. B65D 39/0052  
2017/0232543 A1\* 8/2017 Li ..... G01B 1/00  
219/76.14  
2018/0236415 A1\* 8/2018 Chen ..... B01F 13/002  
2018/0304278 A1\* 10/2018 Palm ..... B04B 1/2016

\* cited by examiner

Primary Examiner — Marianne N Pandozzi

(57) **CLAIM**

The ornamental design of the gun shaped decanter set, as shown and described.

**DESCRIPTION**

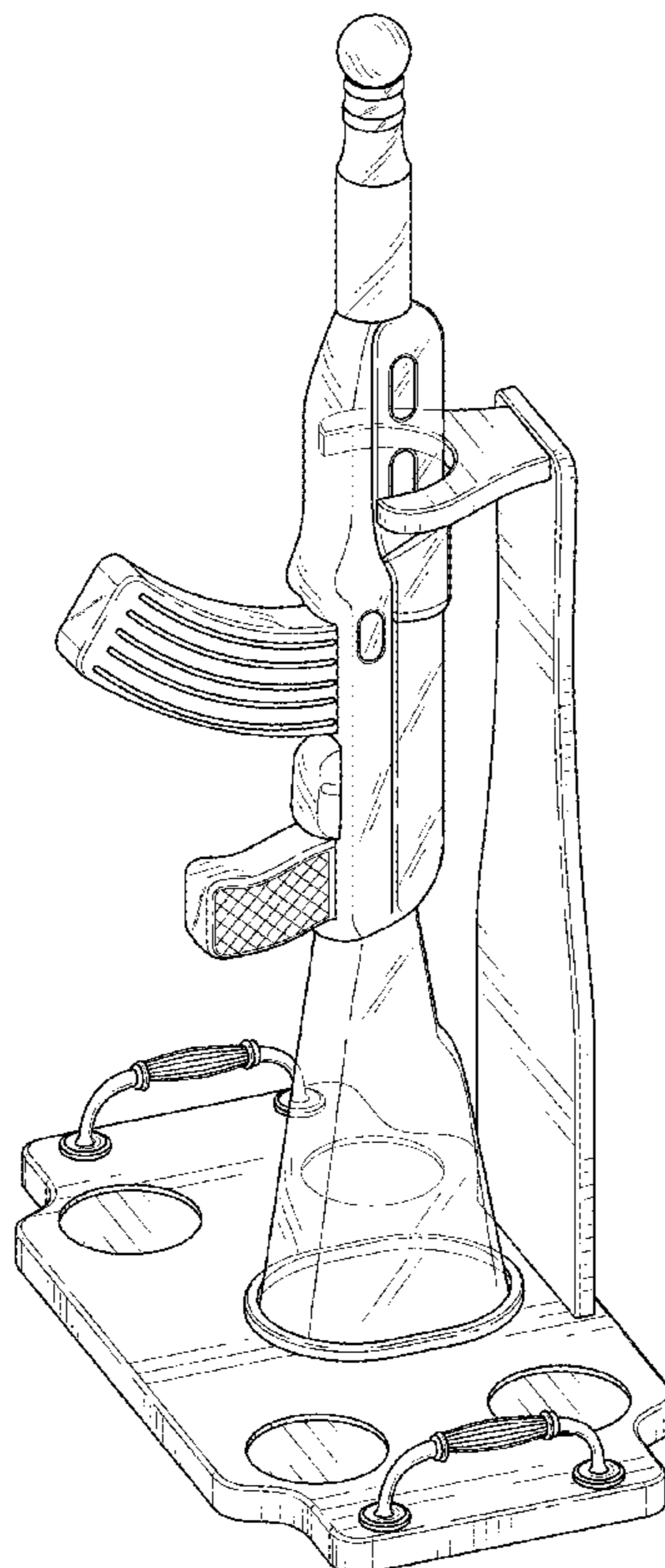
FIG. 1 is a perspective view from above and to the right of the gun shaped decanter set  
FIG. 2 is a front view thereof;  
FIG. 3 is a back view thereof;  
FIG. 4 is a left side view thereof;  
FIG. 5 is a right side view thereof;  
FIG. 6 is a top view thereof; and,  
FIG. 7 is a bottom view thereof.

**1 Claim, 7 Drawing Sheets**

(56) **References Cited**

**U.S. PATENT DOCUMENTS**

3,301,424 A \* 1/1967 Berzac ..... B65D 23/00  
215/12.1  
D281,851 S \* 12/1985 Pack ..... D11/157  
D410,838 S \* 6/1999 Berman ..... D9/710  
D613,545 S \* 4/2010 Pack ..... D7/301  
D669,293 S \* 10/2012 Doty ..... D7/301  
D697,765 S \* 1/2014 Wampold ..... D7/606  
D710,210 S \* 8/2014 Tussy ..... D9/680  
D792,729 S \* 7/2017 Adewuyi ..... D7/306



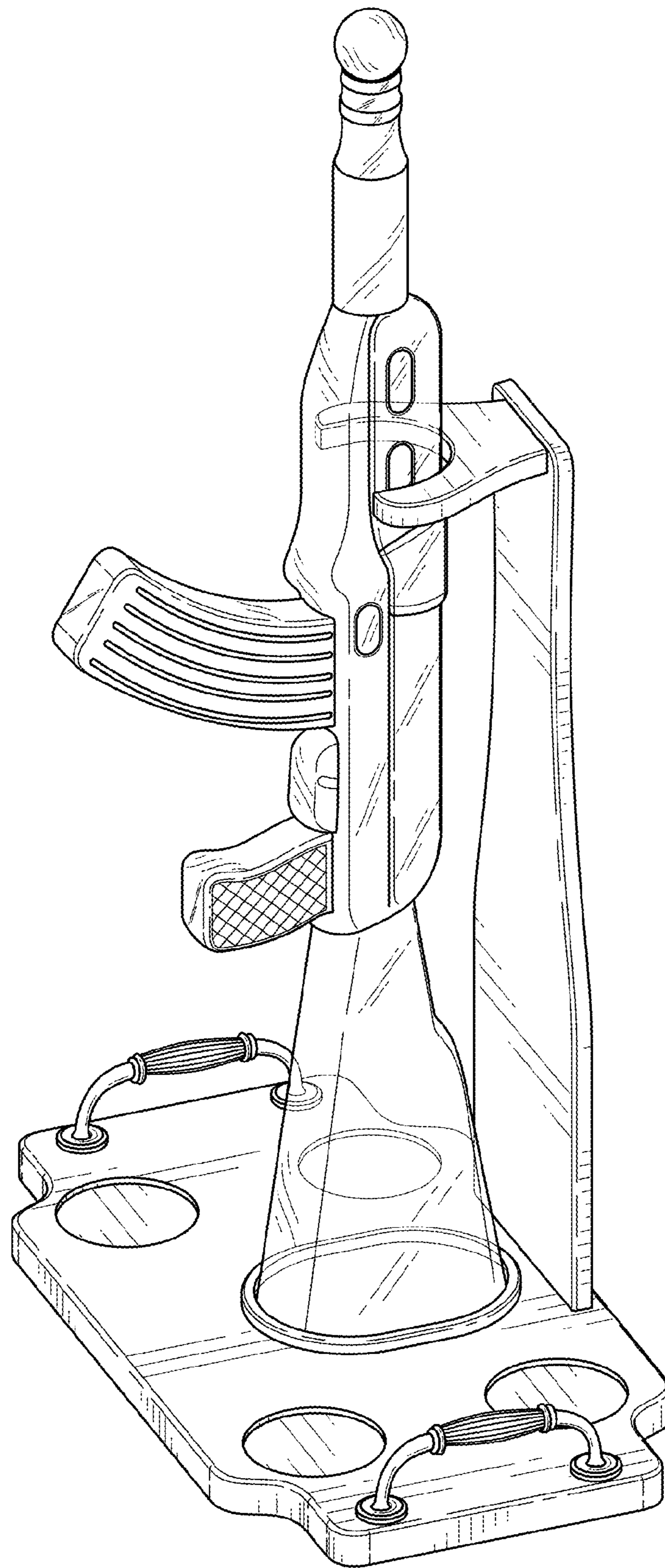


FIG. 1

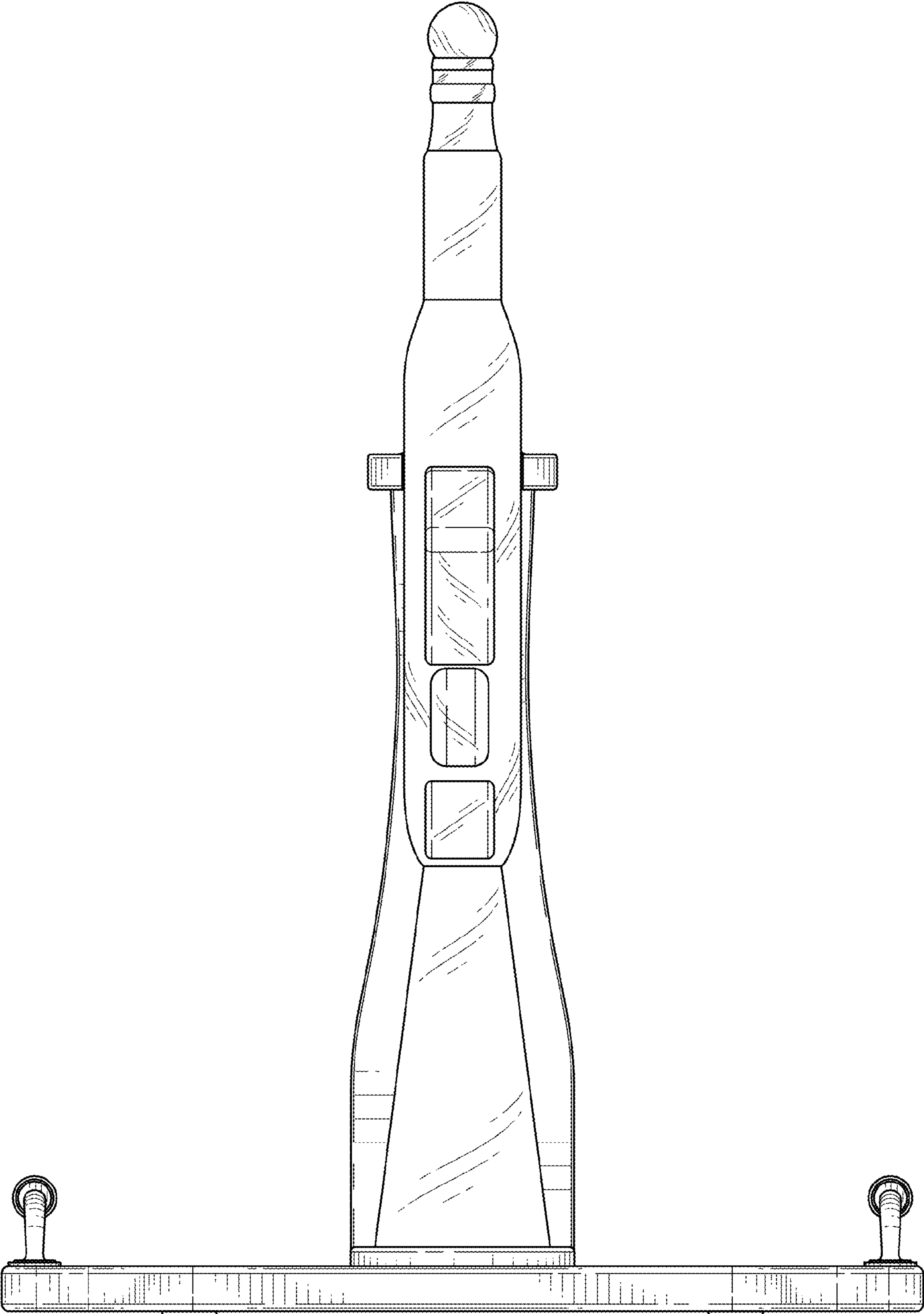


FIG. 2

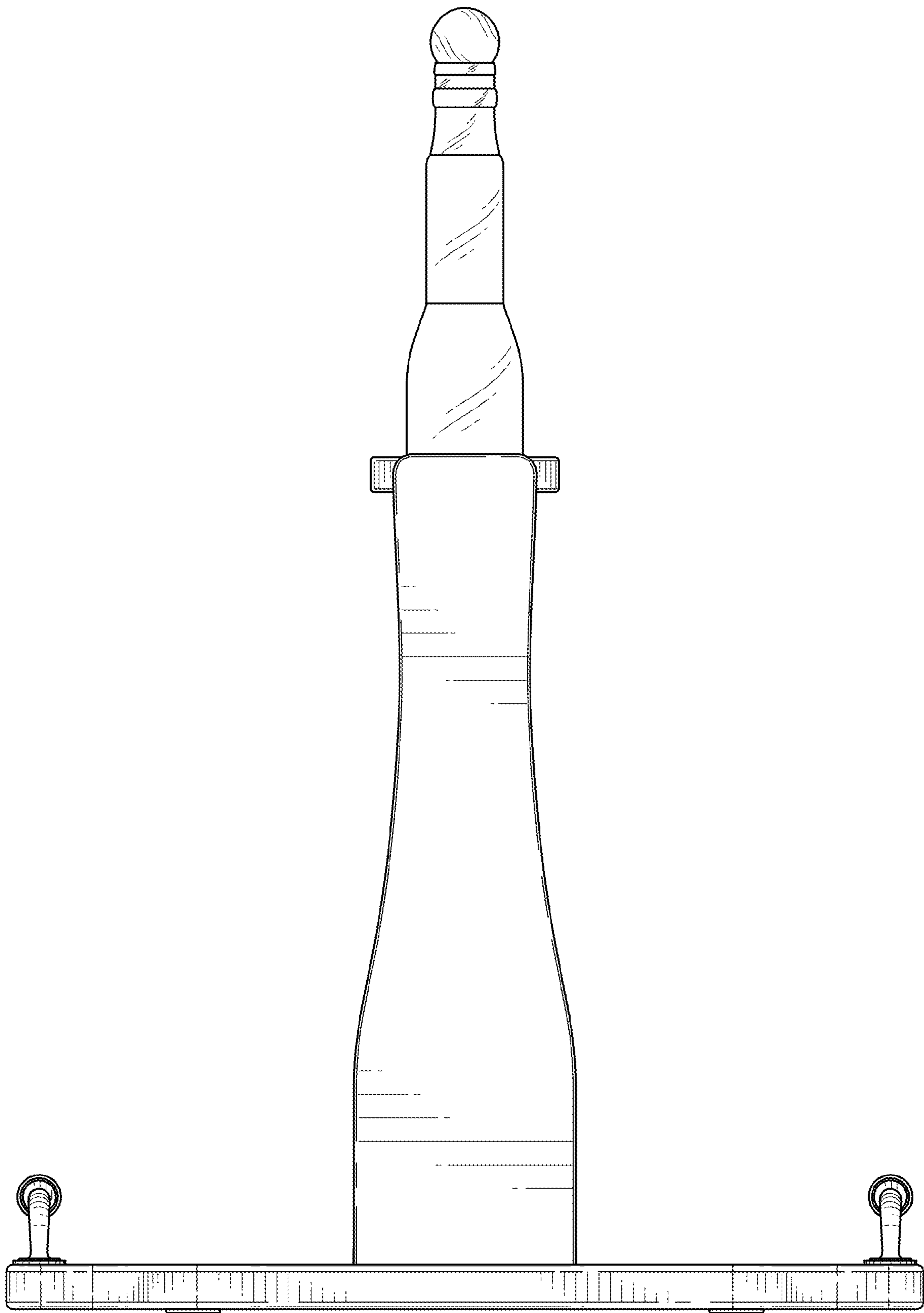


FIG. 3

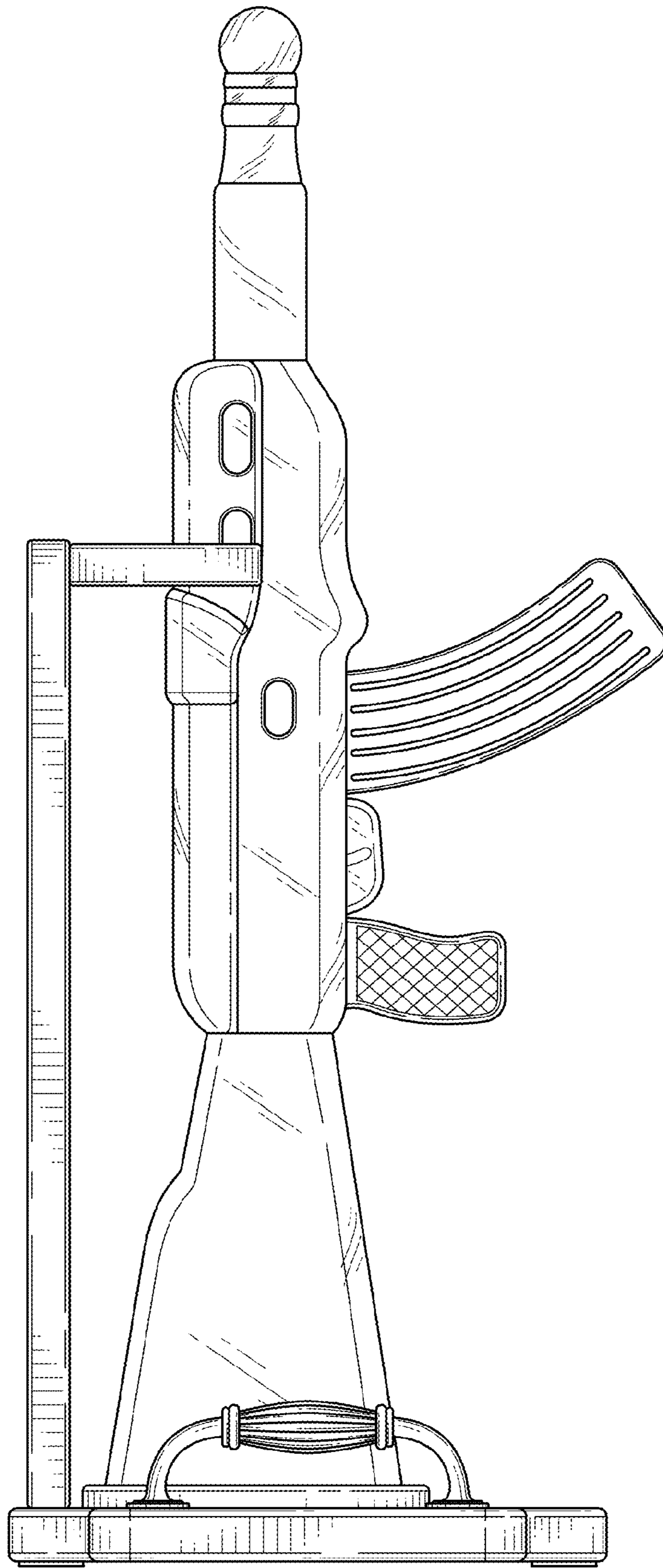


FIG. 4

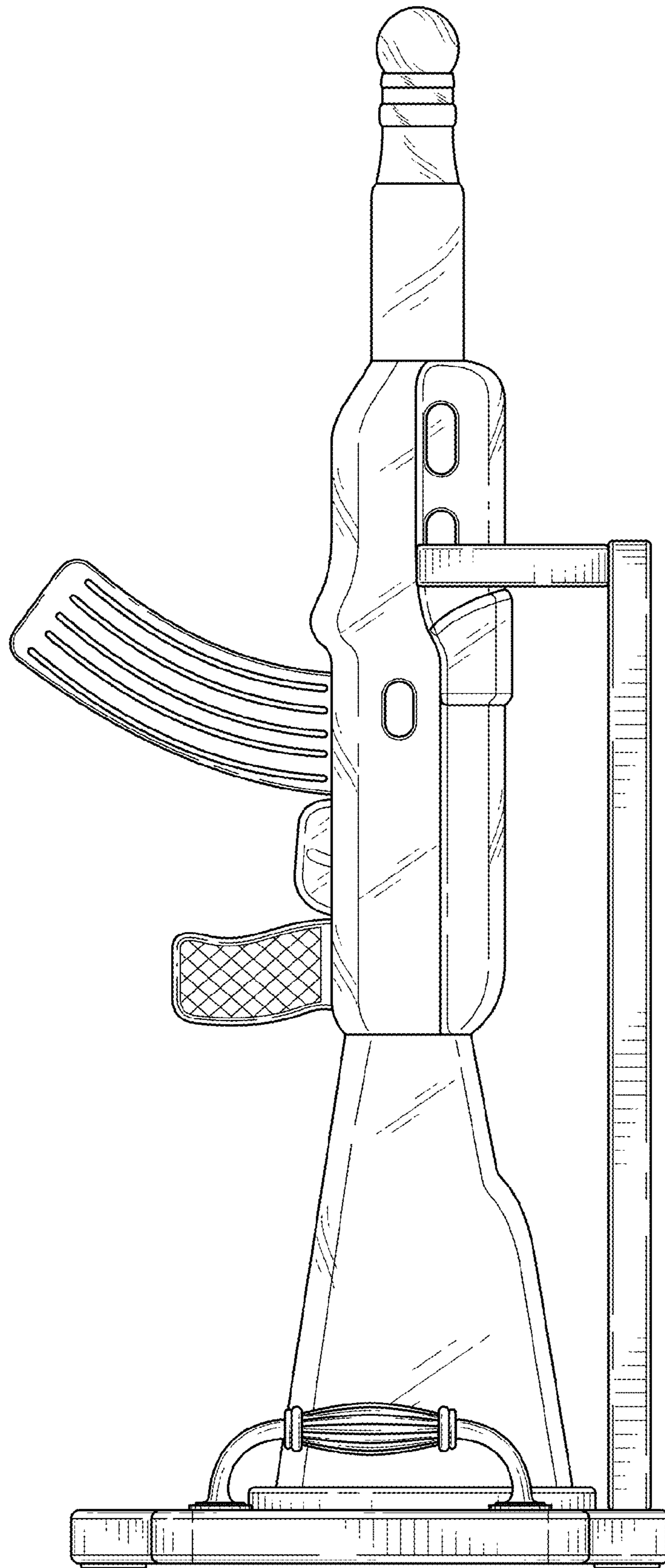


FIG. 5

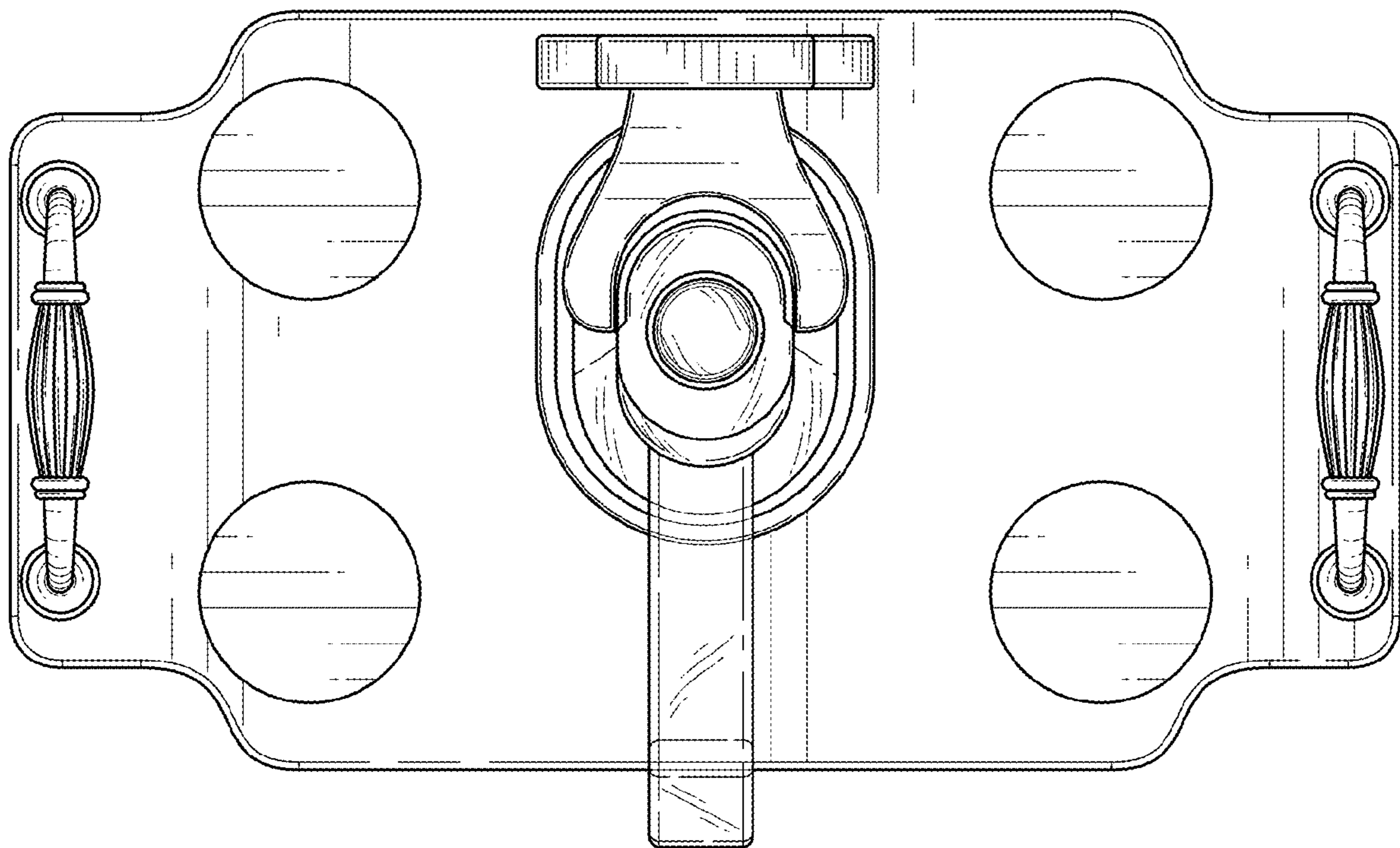


FIG. 6

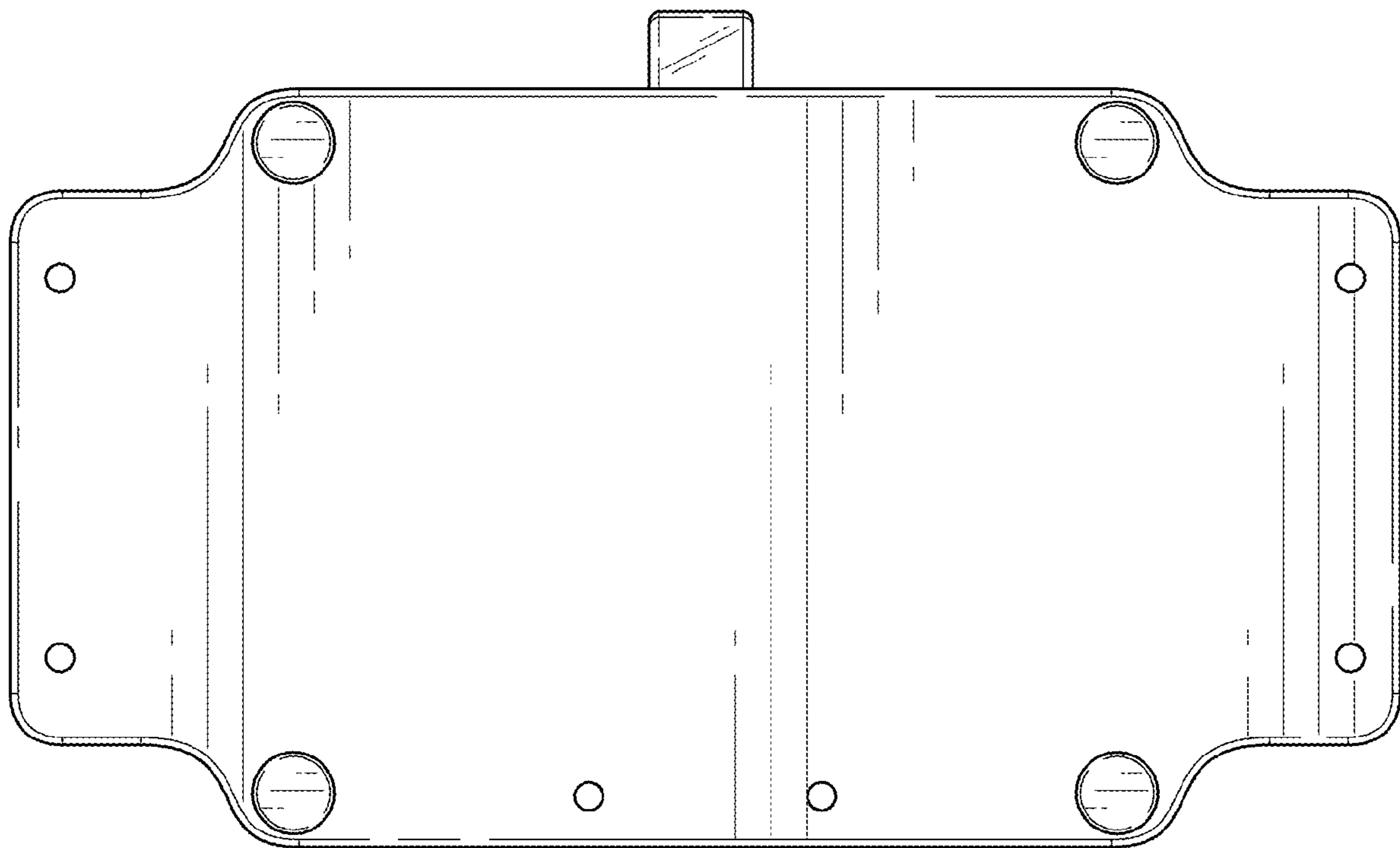


FIG. 7