



US00D914424S

(12) **United States Design Patent** (10) **Patent No.:** **US D914,424 S**
Chang et al. (45) **Date of Patent:** **** Mar. 30, 2021**

(54) **DRINKING STRAW**
(71) Applicants: **Yu-Mei Chang**, Taichung (TW);
Cheng-Hui Huang, Taichung (TW)
(72) Inventors: **Yu-Mei Chang**, Taichung (TW);
Cheng-Hui Huang, Taichung (TW)
(**) Term: **15 Years**
(21) Appl. No.: **29/701,738**
(22) Filed: **Aug. 14, 2019**
(51) **LOC (13) Cl.** **07-06**
(52) **U.S. Cl.**
USPC **D7/300.2**
(58) **Field of Classification Search**
USPC D7/300.2, 305, 376, 653, 688; D9/436,
D9/716; D24/108, 110.5, 112; D25/119,
D25/125, 132
CPC A47G 21/18; A47G 21/182; A47G 21/189
See application file for complete search history.

(56) **References Cited**

U.S. PATENT DOCUMENTS

7,040,547 B1 * 5/2006 Nelson A47G 21/185
220/705
D578,333 S * 10/2008 Baron D7/300.2
D587,953 S * 3/2009 Aliberti D7/300.2
D699,064 S * 2/2014 Katterheinrich D7/300.2
D742,209 S * 11/2015 Humm D8/382
D776,534 S * 1/2017 Stratton D7/398
D784,062 S * 4/2017 Juarbe D7/300.2
9,820,597 B1 * 11/2017 Chang B23K 26/364
9,974,403 B1 * 5/2018 O'Neill A47G 21/186
D831,397 S * 10/2018 Diorio D7/300.2
2012/0067909 A1 * 3/2012 Mattheus A47G 21/18
220/705
2020/0008599 A1 * 1/2020 Price A47G 21/189
2020/0107661 A1 * 4/2020 Lin A47G 21/18

OTHER PUBLICATIONS

“CaregiverProducts: 11 inch Flexible Straws with Caps”. Found online Jul. 29, 2020 at caregiverproducts.com. Reference dated Dec.

28, 2015. Retrieved from <https://www.caregiverproducts.com/11inch-flexible-straws-caps-pkg10.html>.
*
“Hydream: 2 Pack Collapsible Straw Reusable Stainless Steel”. Found online Mar. 18, 2020 at amazon.co.uk. Reference dated Aug. 19, 2018. Retrieved from https://www.amazon.co.uk/. . . urple/dp/B07XP7KN7Z/ref=sr_1_49?keywords=reusable+straw+collapsible&qid=1584568307&sr=8-49&swrs=82FBC908C2FED2AD2D5D49835A8CBE8A.
*
“Big Gulp Cups: The Gulp Scale”. Found online Oct. 10, 2017 at facepunch.com. Reference dated Sep. 22, 2013. Retrieved from <https://facepunch.com/showthread.php?t=1309436>.
*

* cited by examiner

Primary Examiner — Kendra Leslie Hamilton
(74) *Attorney, Agent, or Firm* — Rosenberg, Klein & Lee

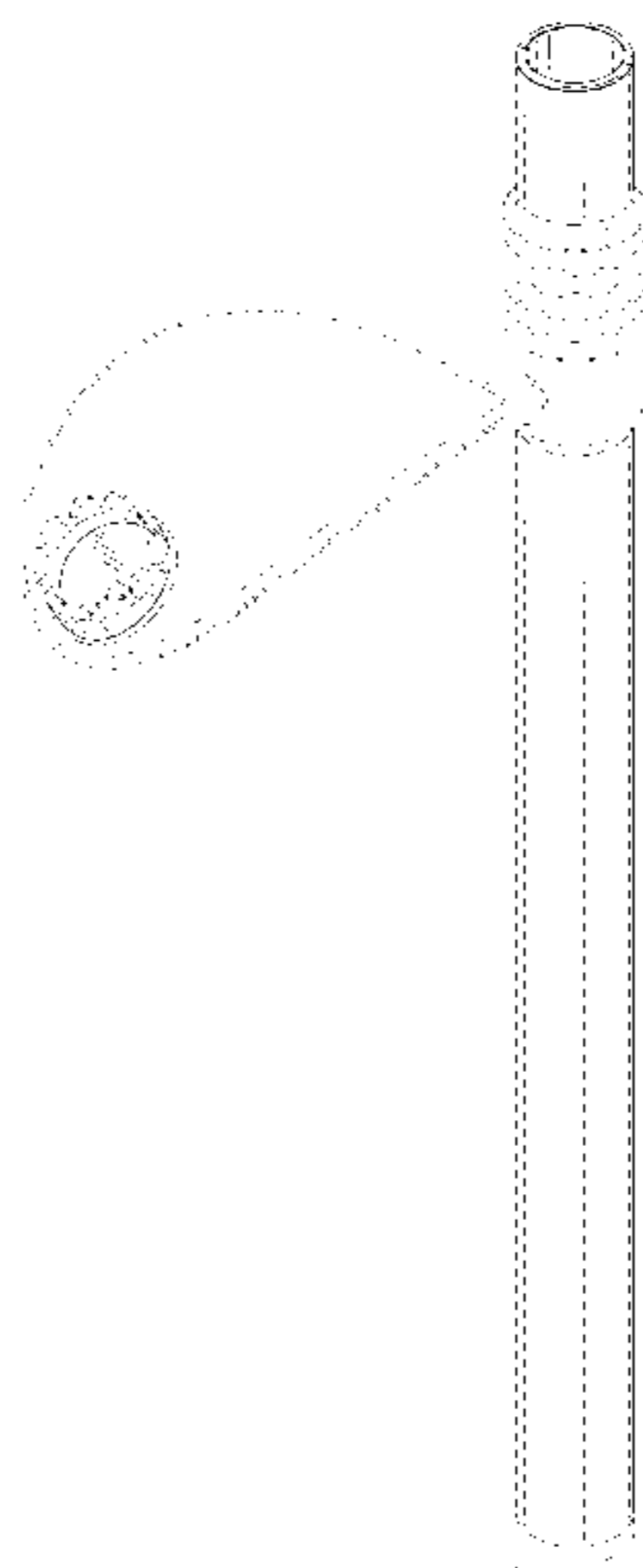
(57) **CLAIM**

The ornamental design for a drinking straw, as shown and described.

DESCRIPTION

FIG. 1 is a top, front, right perspective view of a drinking straw, showing our new design in a first configuration for use;
FIG. 2 is a front elevation view thereof;
FIG. 3 is a rear elevation view thereof;
FIG. 4 is a left side elevation view thereof;
FIG. 5 is a right side elevation view thereof;
FIG. 6 is a top plan view thereof;
FIG. 7 is a bottom plan view thereof;
FIG. 8 is a left side elevation view of the drinking straw of FIG. 1, shown in a second configuration for use; and,
FIG. 9 is a left side elevation view of the drinking straw of FIG. 1, shown in a third configuration for use.
The equal length broken lines depict portions of a drinking straw that form no part of the claimed design. The dash-dot-dash broken lines define the boundaries of the claimed design. All broken lines form no part of the claimed design.

1 Claim, 9 Drawing Sheets



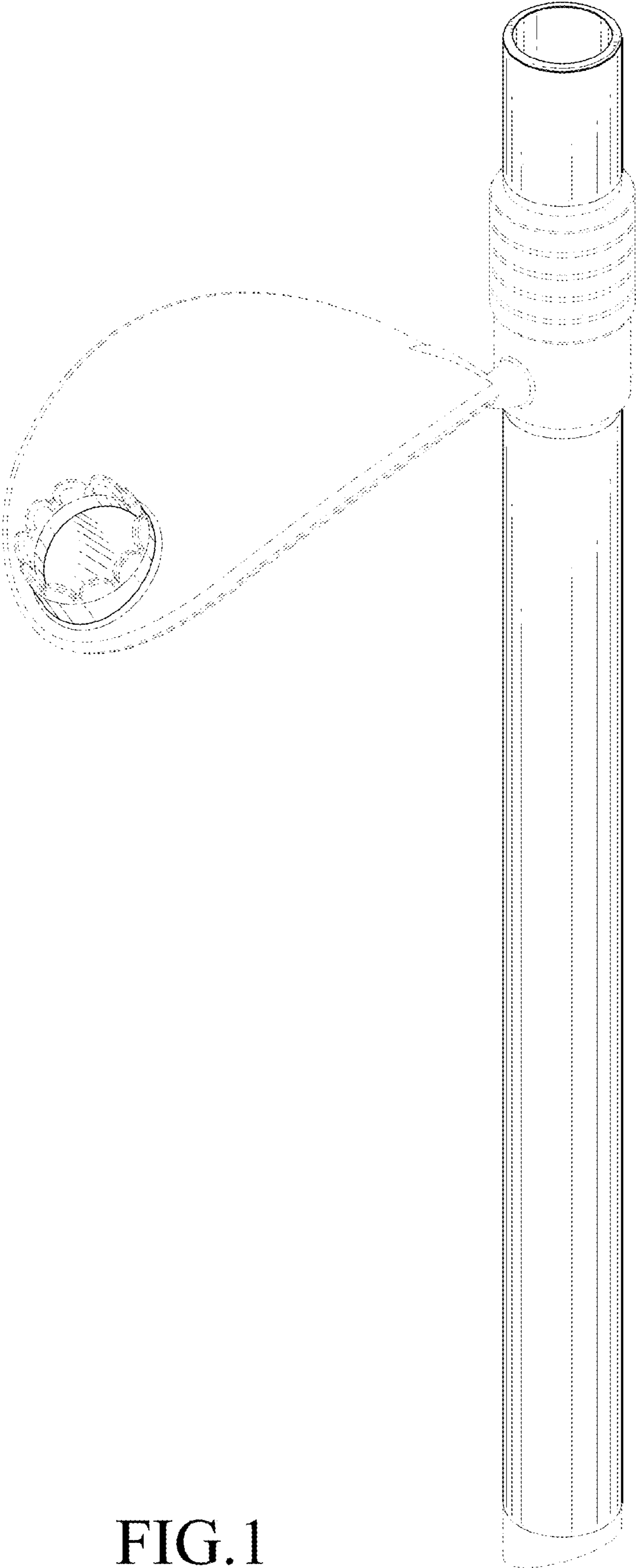


FIG. 1

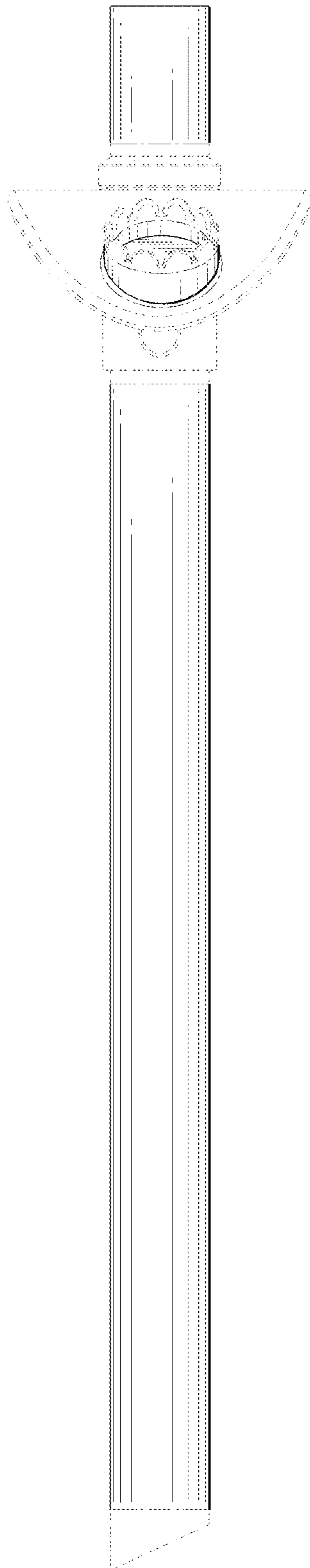


FIG. 2

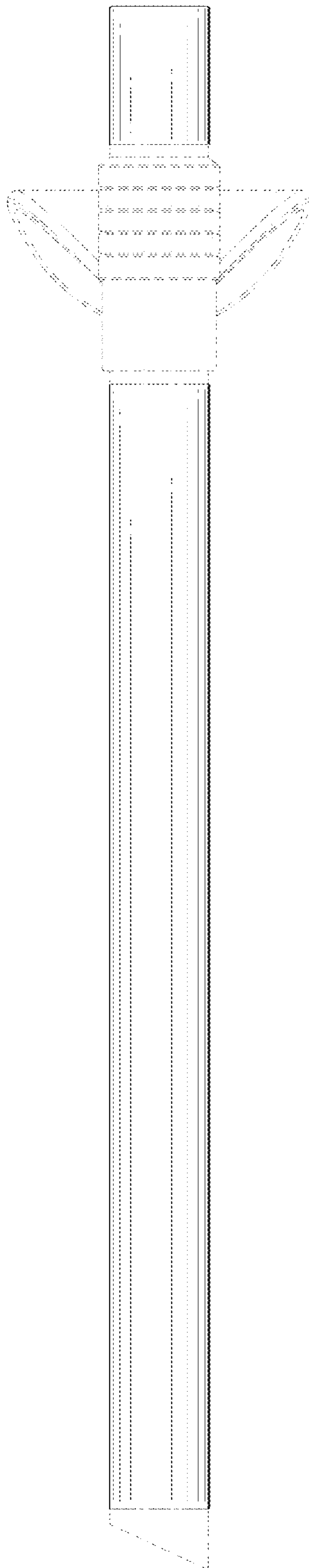


FIG.3

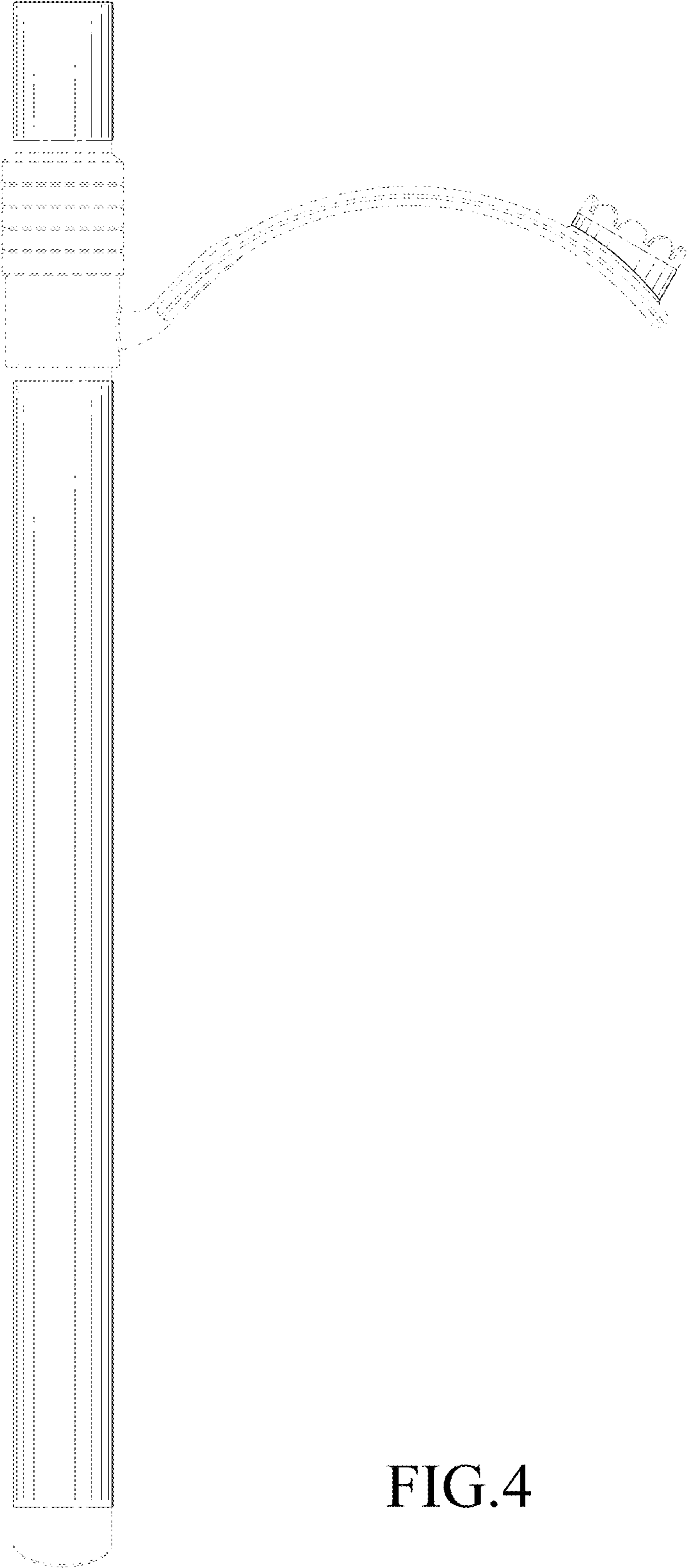


FIG. 4

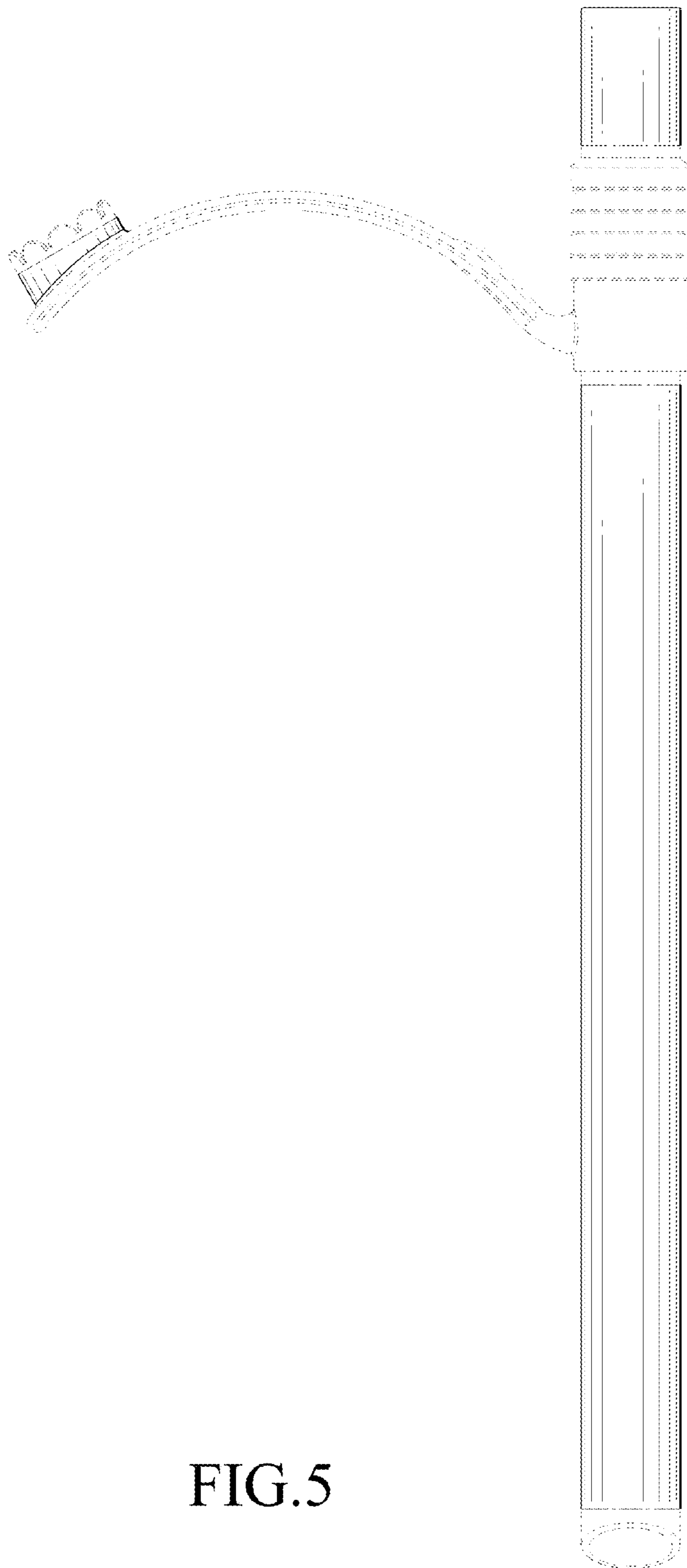


FIG. 5

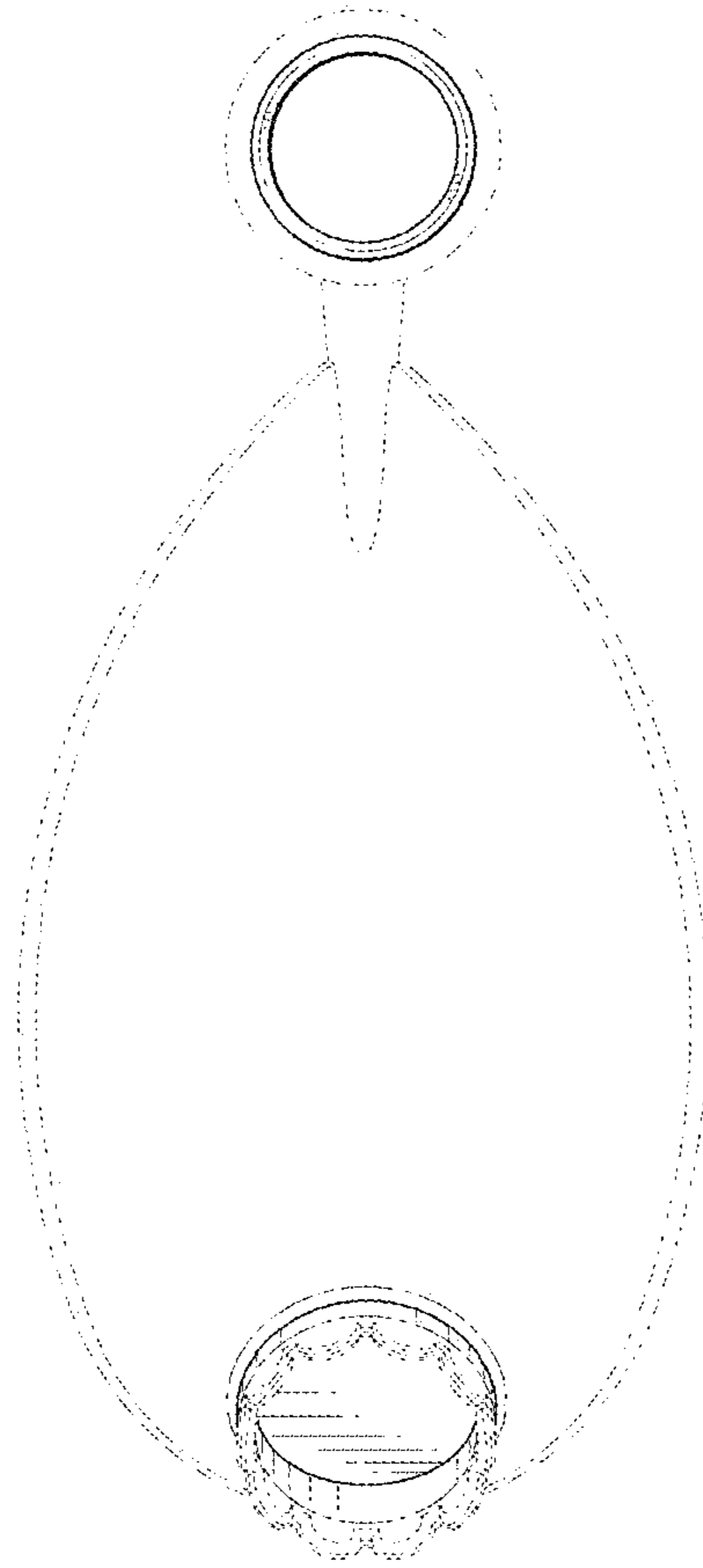


FIG.6



FIG. 7

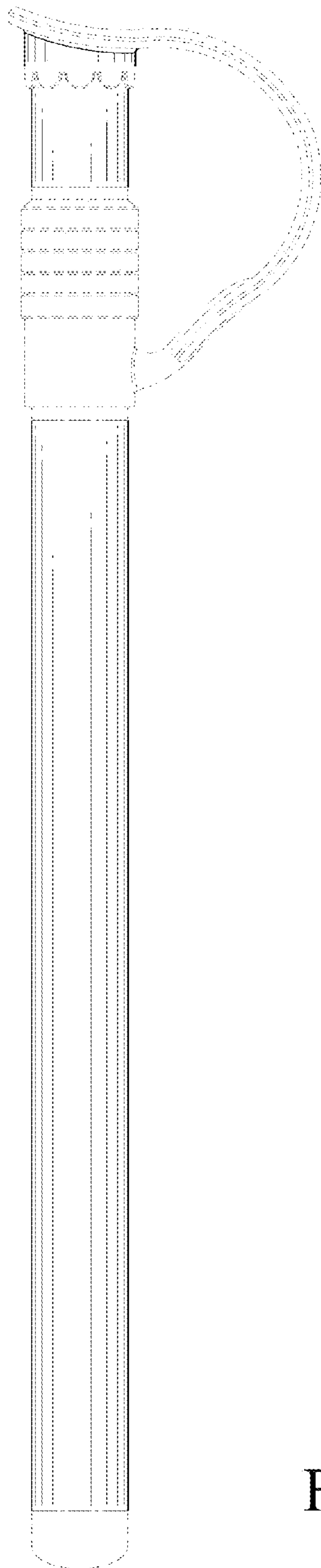


FIG. 8

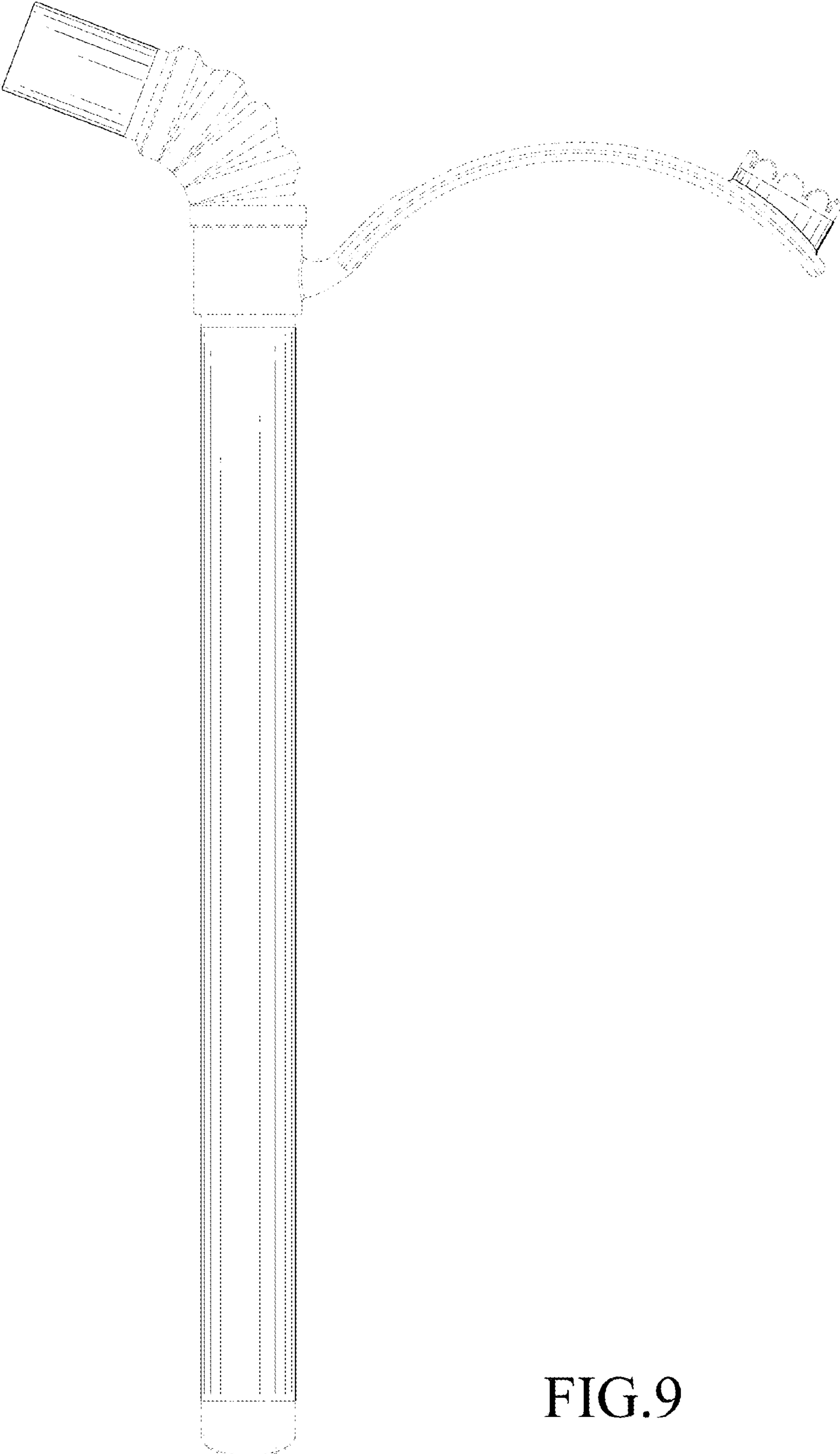


FIG.9