



US00D914423S

(12) **United States Design Patent**
Herrmann

(10) **Patent No.:** **US D914,423 S**

(45) **Date of Patent:** **** Mar. 30, 2021**

(54) **APPARATUS FOR PREPARING DRINKS**

(71) Applicant: **BL Balanced Lifestyle Food and Beverages GmbH**, Vienna (AT)

(72) Inventor: **Roland Herrmann**, Vienna (AT)

(**) Term: **15 Years**

(21) Appl. No.: **35/508,216**

(22) Filed: **Oct. 31, 2019**

(80) **Hague Agreement Data**

Int. Filing Date: **Oct. 31, 2019**

Int. Reg. No.: **DM/205078**

Int. Reg. Date: **Oct. 31, 2019**

Int. Reg. Pub. Date: **Dec. 27, 2019**

(51) **LOC (13) Cl.** **07-01**

(52) **U.S. Cl.**
USPC **D7/300**

(58) **Field of Classification Search**
USPC D7/300, 305, 309, 311, 313, 356, 357,
D7/397, 399

CPC . B67D 1/12; B67D 1/0412; B67D 1/00; A47J
31/4489; A47J 31/40; A47J 31/4485

See application file for complete search history.

(56) **References Cited**

U.S. PATENT DOCUMENTS

D398,473 S *	9/1998	Henderson	D7/305
D423,862 S *	5/2000	Mravlja, Jr.	D7/305
D450,214 S *	11/2001	Woebcke	D7/306
D452,794 S *	1/2002	Adachi	D7/306
D489,214 S *	5/2004	Noda	D7/309

D610,857 S *	3/2010	Pateman	D7/306
D697,748 S *	1/2014	Wang	D7/306
D781,633 S *	3/2017	Cahen	D7/306
D824,196 S *	7/2018	Shin	D7/313
D836,371 S *	12/2018	Cahen	D7/306
D872,513 S *	1/2020	Kaplan	D7/306
D889,906 S *	7/2020	Yin	D7/397
D897,141 S *	9/2020	Weber	D7/309

OTHER PUBLICATIONS

Screenshot: Zuhause bleiben and selber sprudeln war noch nie so sinnvoll . . . Dated Apr. 7, 2020; one page. Found online Nov. 25, 2020 at <http://newsroom.ketchum-publico.at/news-zuhause-bleiben-und-selber-> . . . (see photocopy for full url) (Year: 2020).*

* cited by examiner

Primary Examiner — Robert M. Spear

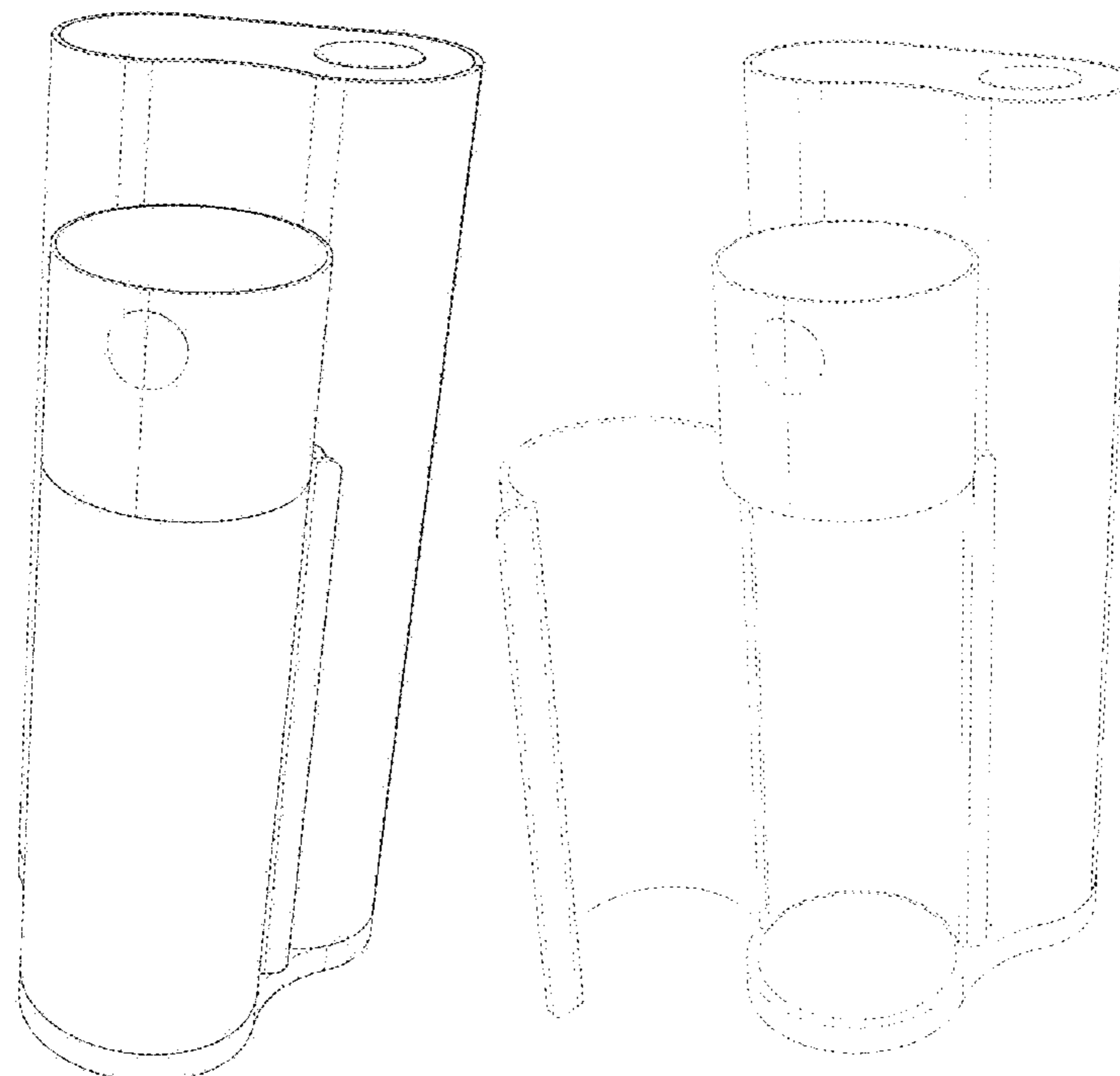
(57) **CLAIM**

The ornamental design for an apparatus for preparing drinks, as shown and described.

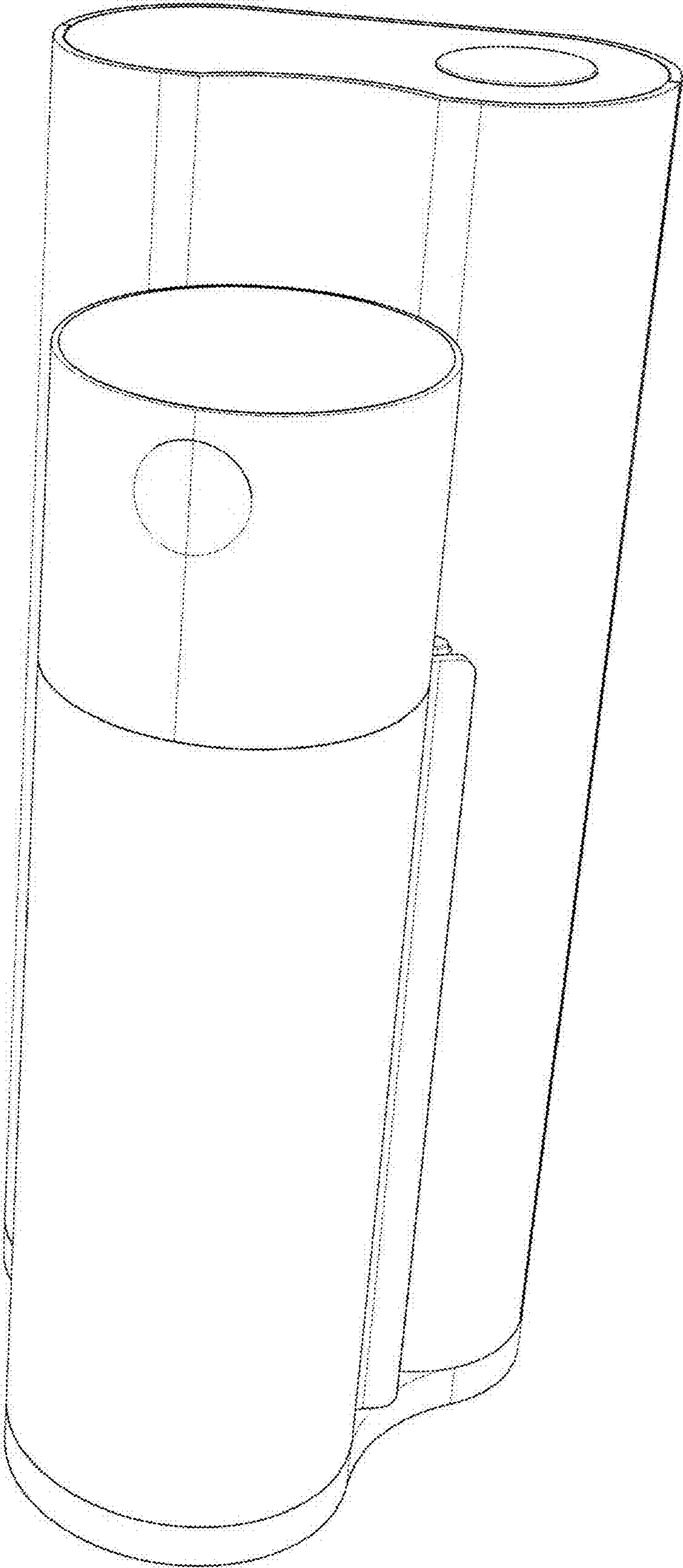
DESCRIPTION

1. Apparatus for preparing drinks
- 1.1 - Top front perspective view;
- 1.2 - Top plan view;
- 1.3 - Front elevational view;
- 1.4 - Right side elevational view;
- 1.5 - Rear elevational view;
- 1.6 - Bottom plan view; and
- 1.7 - Top front perspective view in an opened state.

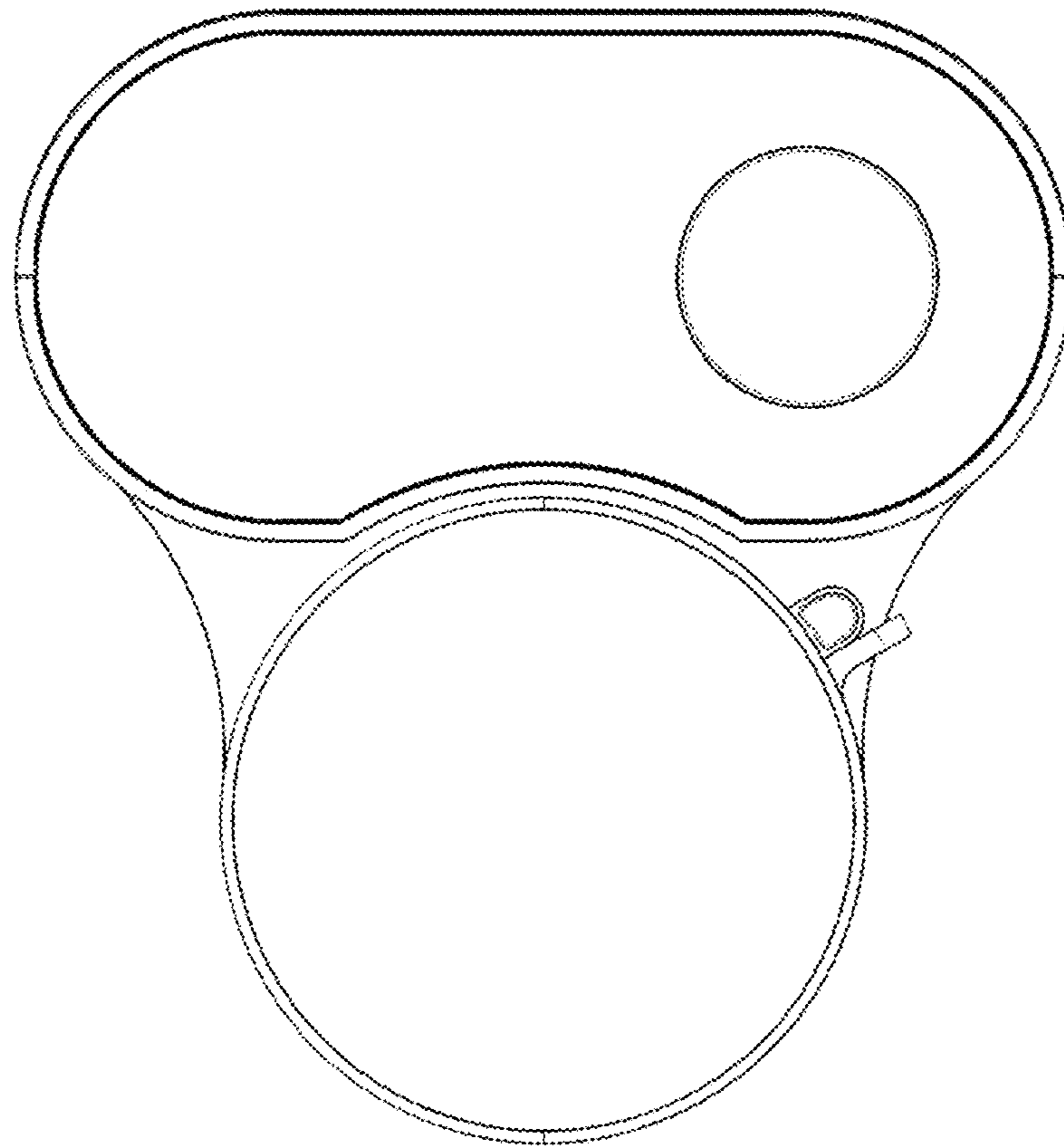
1 Claim, 7 Drawing Sheets



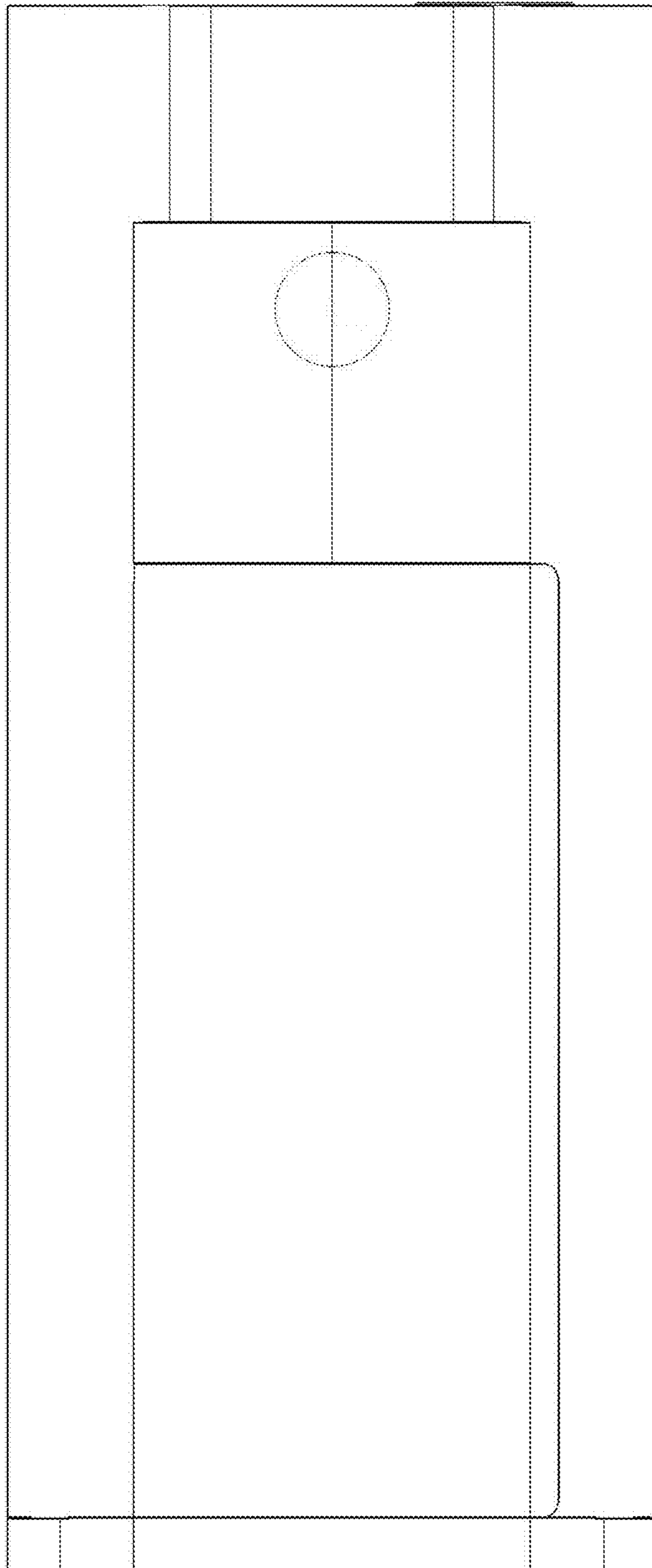
1.1



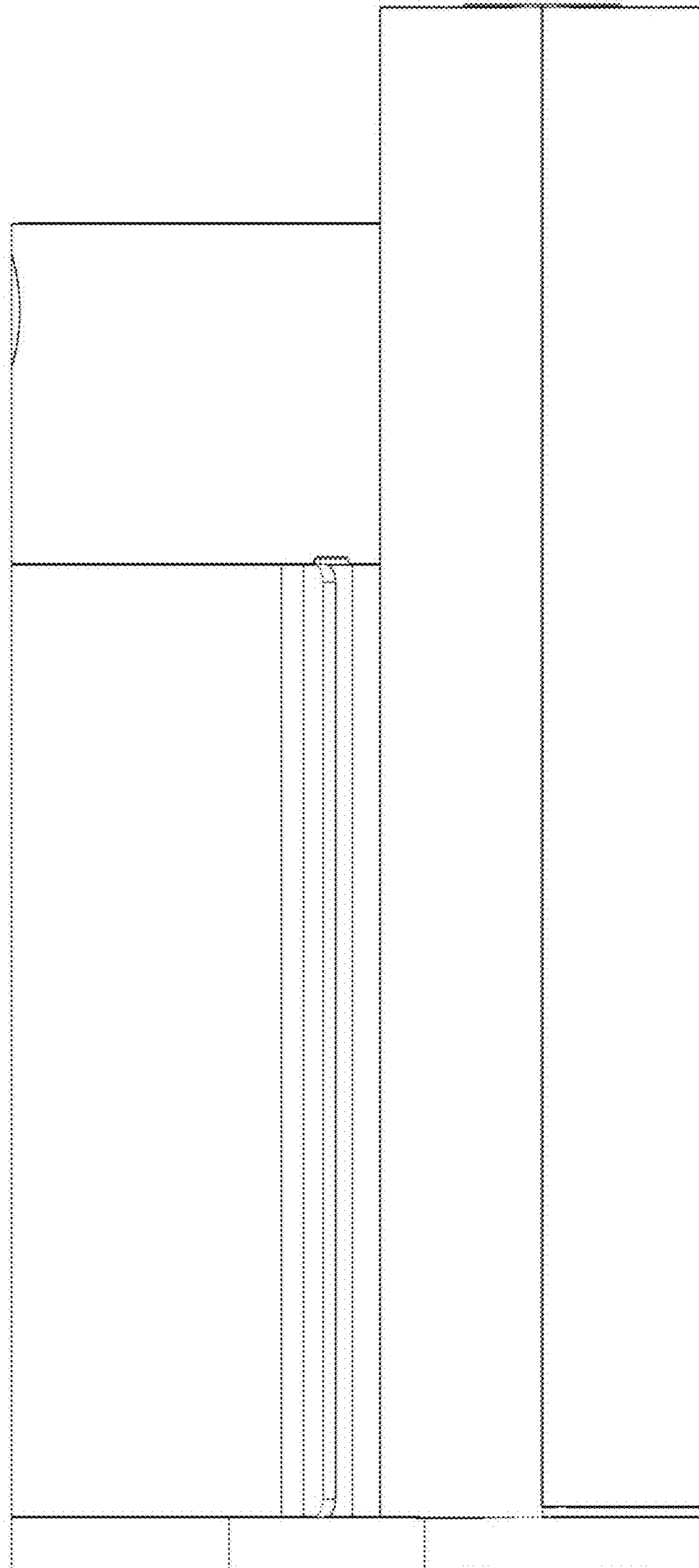
1.2



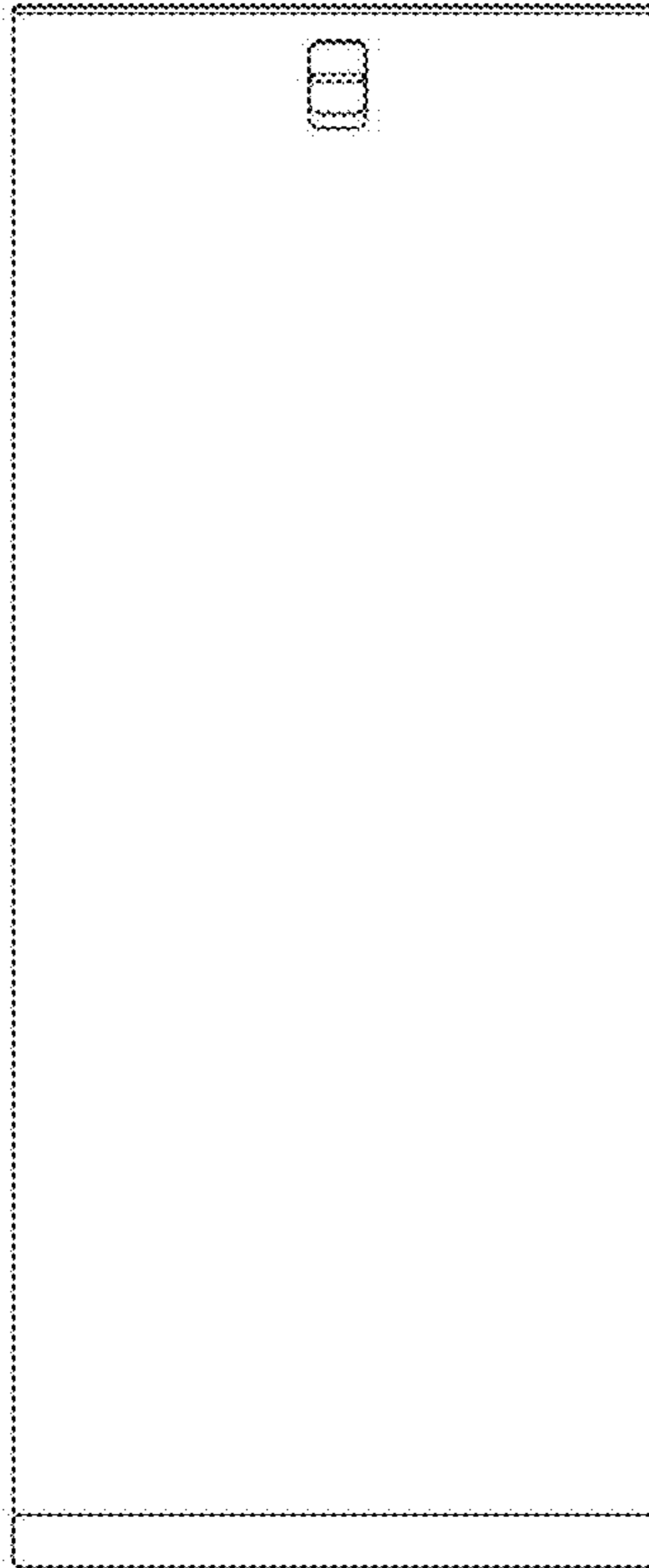
1.3



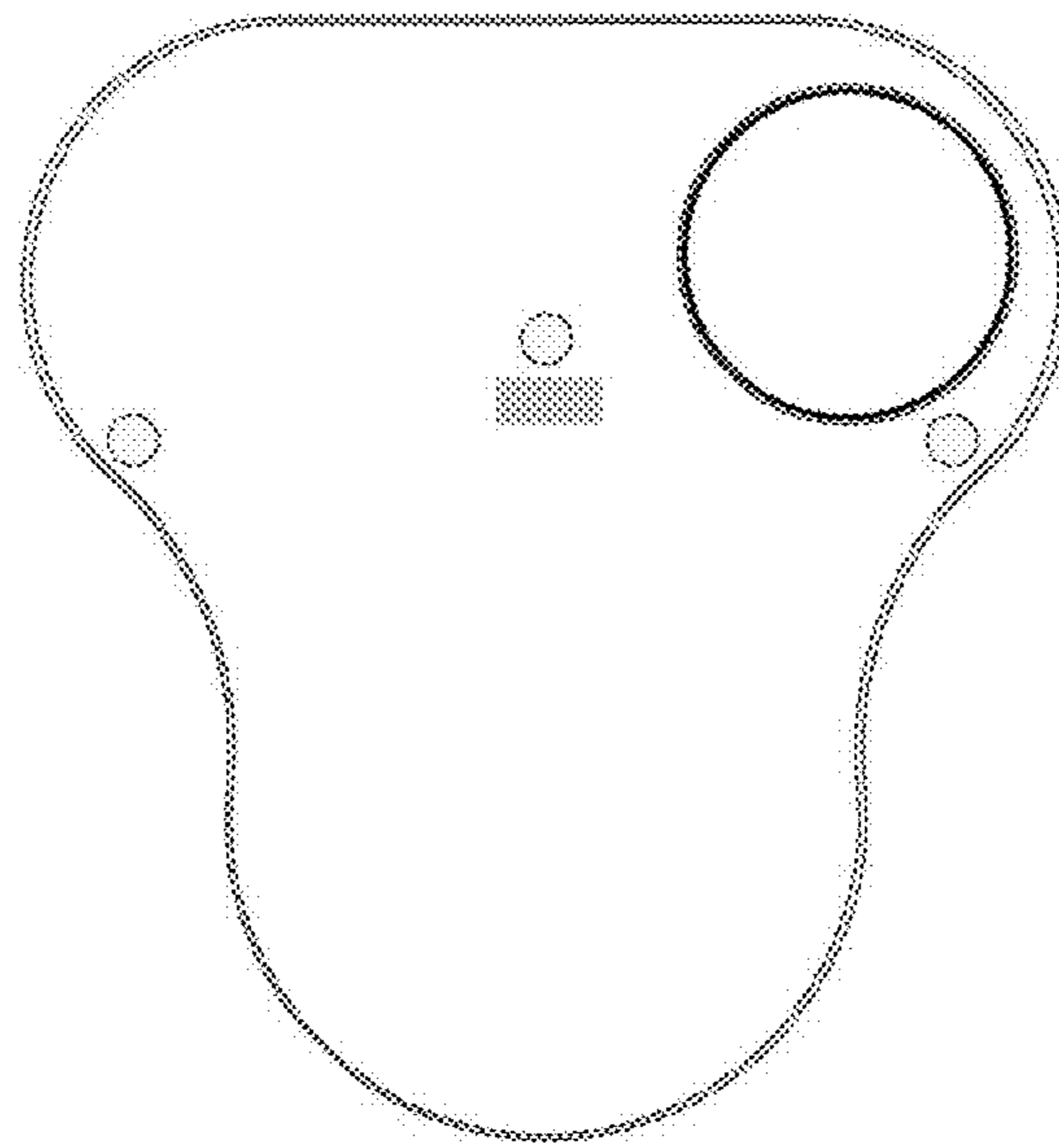
1.4



1.5



1.6



1.7

