



US00D914422S

(12) **United States Design Patent**
Chong et al.

(10) **Patent No.:** **US D914,422 S**
(45) **Date of Patent:** **** Mar. 30, 2021**

(54) **WATER DISPENSER**

(71) Applicant: **Elkay Manufacturing Company**, Oak Brook, IL (US)

(72) Inventors: **Jonathan Chong**, Oak Brook, IL (US); **Jason Silverstein**, Oak Brook, IL (US); **Thomas Patrick-Lee O'Connor**, Oak Brook, IL (US); **Erik J. Moses**, Oak Brook, IL (US)

(73) Assignee: **Elkay Manufacturing Company**, Oak Brook, IL (US)

(**) Term: **15 Years**

(21) Appl. No.: **29/631,875**

(22) Filed: **Jan. 3, 2018**

(51) **LOC (13) Cl.** **07-01**

(52) **U.S. Cl.**
USPC **D7/300**

(58) **Field of Classification Search**
USPC D15/89; D7/300

(Continued)

(56) **References Cited**

U.S. PATENT DOCUMENTS

D672,376 S * 12/2012 Ringemann D15/89
D715,336 S * 10/2014 Sin D15/89

(Continued)

Primary Examiner — Michael A. Pratt

(74) *Attorney, Agent, or Firm* — Lee & Hayes, P.C.

(57) **CLAIM**

The ornamental design for a water dispenser, as shown and described.

DESCRIPTION

FIG. 1 is a perspective view of a first embodiment of a water dispenser, taken from the front.

FIG. 2 is a front view of the first embodiment of the water dispenser of FIG. 1.

FIG. 3 is a back view of the first embodiment of the water dispenser of FIG. 1.

FIG. 4 is a left-side view of the first embodiment of the water dispenser of FIG. 1.

FIG. 5 is a right-side view of the first embodiment of the water dispenser of FIG. 1.

FIG. 6 is a top view of the first embodiment of the water dispenser of FIG. 1.

FIG. 7 is a bottom view of the first embodiment of the water dispenser of FIG. 1.

FIG. 8 is a perspective view of a second embodiment of a water dispenser, taken from the front. The second embodiment of the water dispenser includes a back view, left-side view, a right-side view, a top view, and a bottom view that are identical to the corresponding views shown for the first embodiment of the water dispenser.

FIG. 9 is a front view of the second embodiment of the water dispenser of FIG. 8.

FIG. 10 is a perspective view of a third embodiment of a water dispenser, taken from the front.

FIG. 11 is a front view of the third embodiment of the water dispenser of FIG. 10.

FIG. 12 is a back view of the third embodiment of the water dispenser of FIG. 10.

FIG. 13 is a left-side view of the third embodiment of the water dispenser of FIG. 10.

FIG. 14 is a right-side view of the third embodiment of the water dispenser of FIG. 10.

FIG. 15 is a top view of the third embodiment of the water dispenser of FIG. 10.

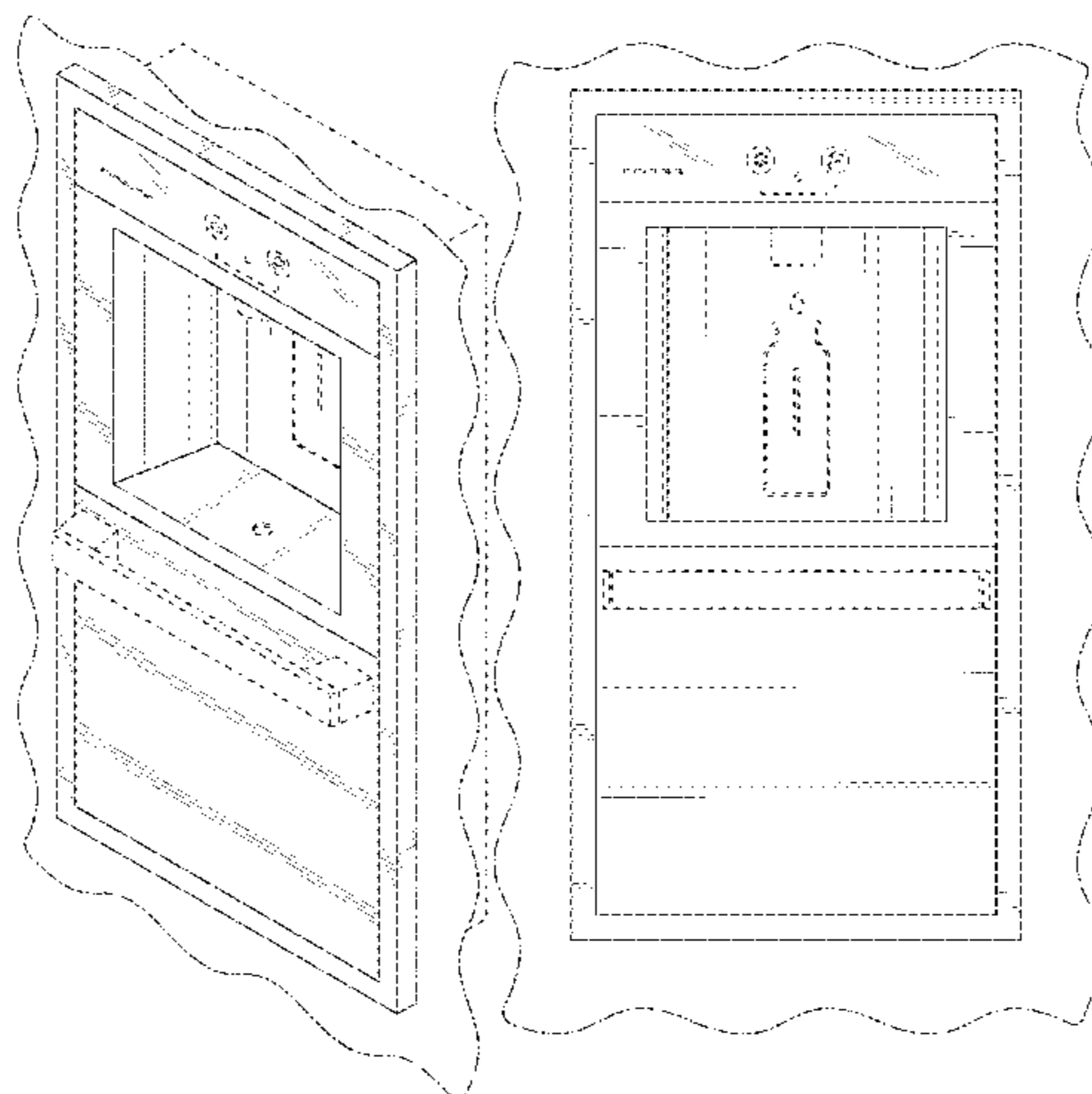
FIG. 16 is a bottom view of the third embodiment of the water dispenser of FIG. 10.

FIG. 17 is a perspective view of a fourth embodiment of a water dispenser, taken from the front. The fourth embodiment of the water dispenser includes a back view, left-view view, a right-side view, a top view, and a bottom view that are identical to the corresponding views shown for the third embodiment of the water dispenser; and,

FIG. 18 is a front view of the fourth embodiment of the water dispenser of FIG. 17.

The dashed broken lines depict portions of the water dispenser which form no part of the claimed design. The

(Continued)



dot-dashed broken lines represent a boundary of the claim or unclaimed environment (e.g., a wall), and forms no part of the claimed design.

1 Claim, 18 Drawing Sheets

(58) **Field of Classification Search**

CPC B67D 2210/00031; B67D 1/06; F25D
31/002

See application file for complete search history.

(56) **References Cited**

U.S. PATENT DOCUMENTS

D727,378 S *	4/2015	Jeon	D15/89
D795,312 S *	8/2017	Shoemaker	D15/89
D869,519 S *	12/2019	White	D15/89
2013/0108249 A1 *	5/2013	Krause	B67D 3/0022 392/465

* cited by examiner

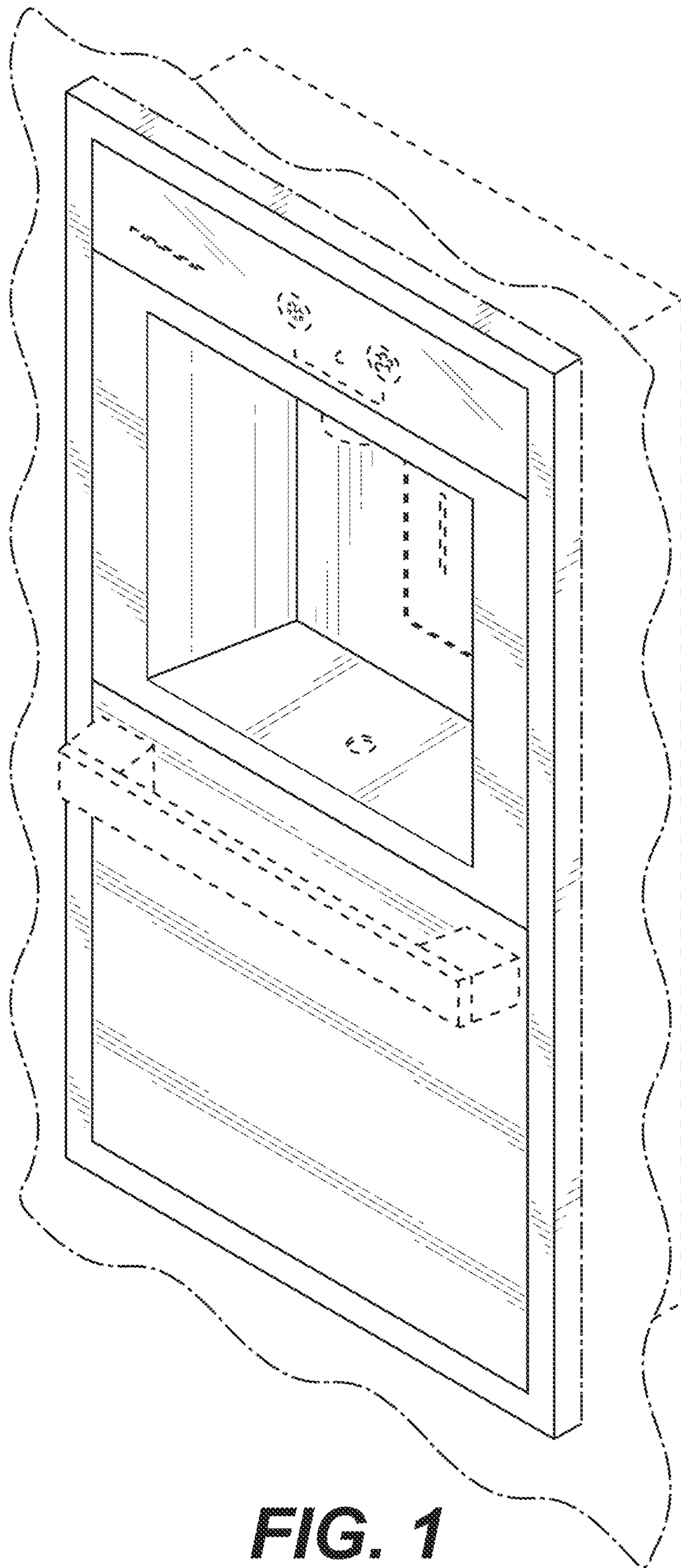


FIG. 1

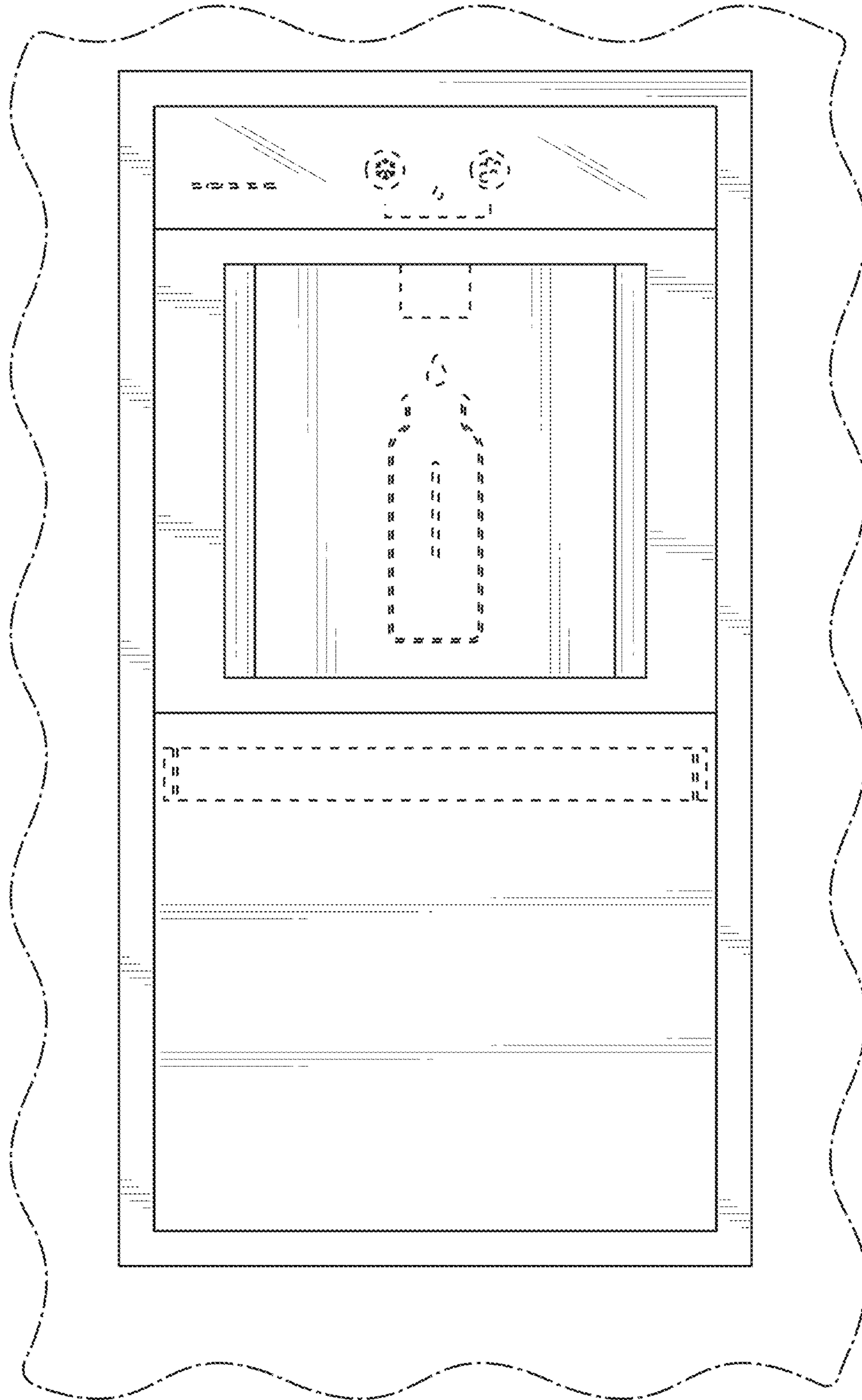


FIG. 2

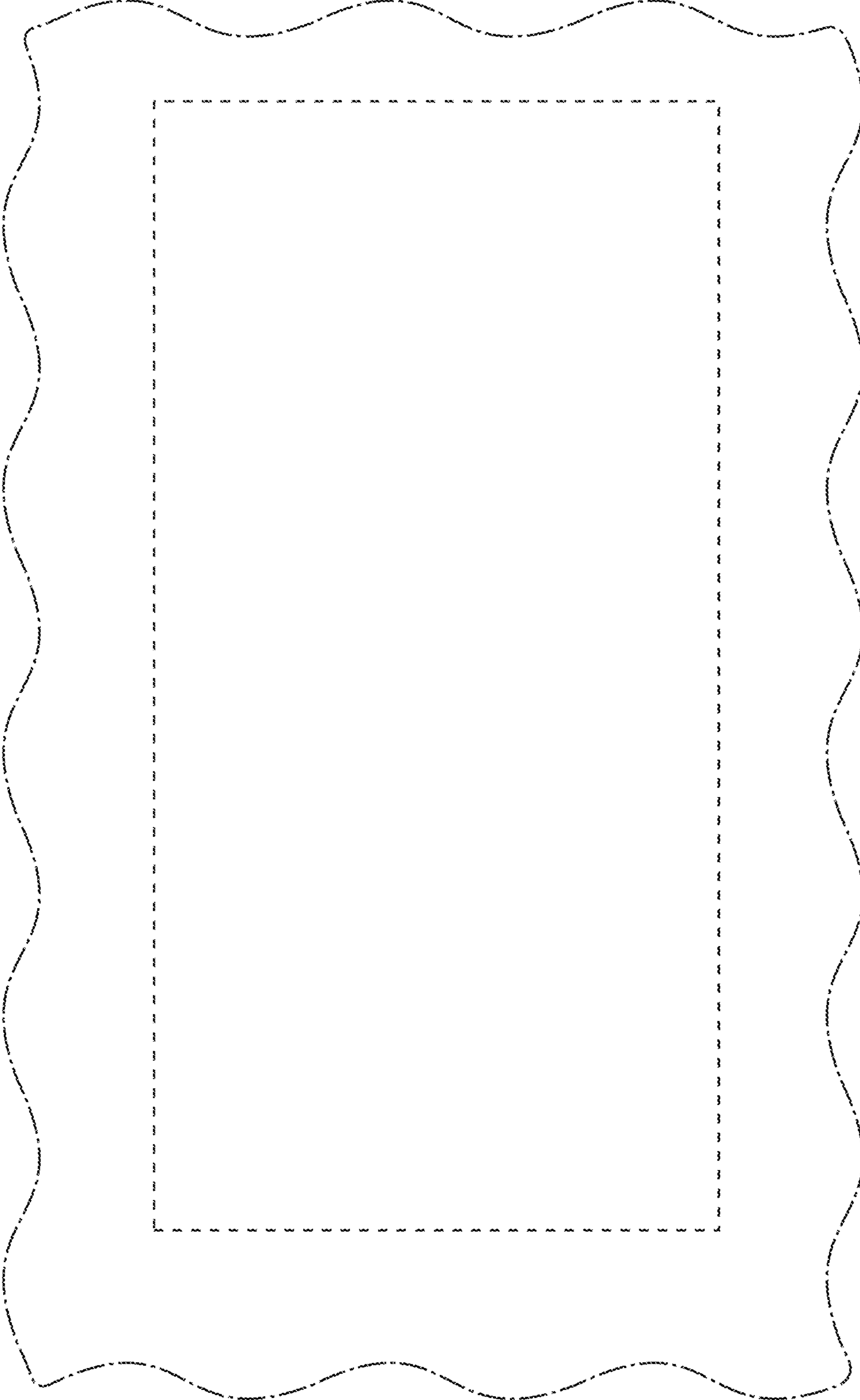


FIG. 3

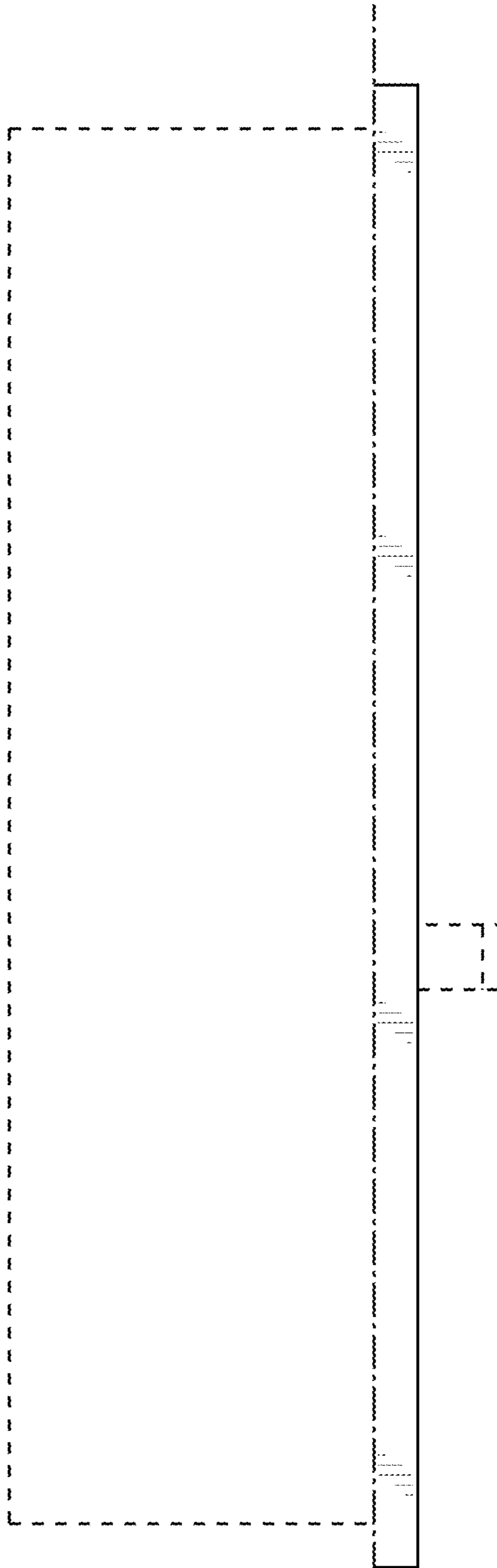


FIG. 4

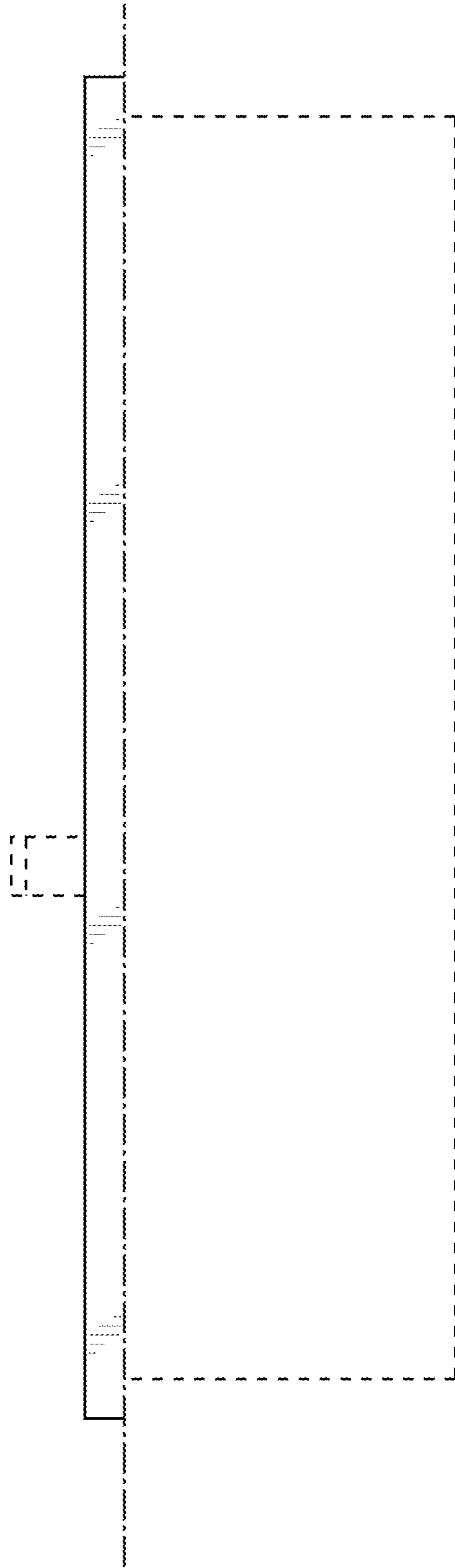


FIG. 5

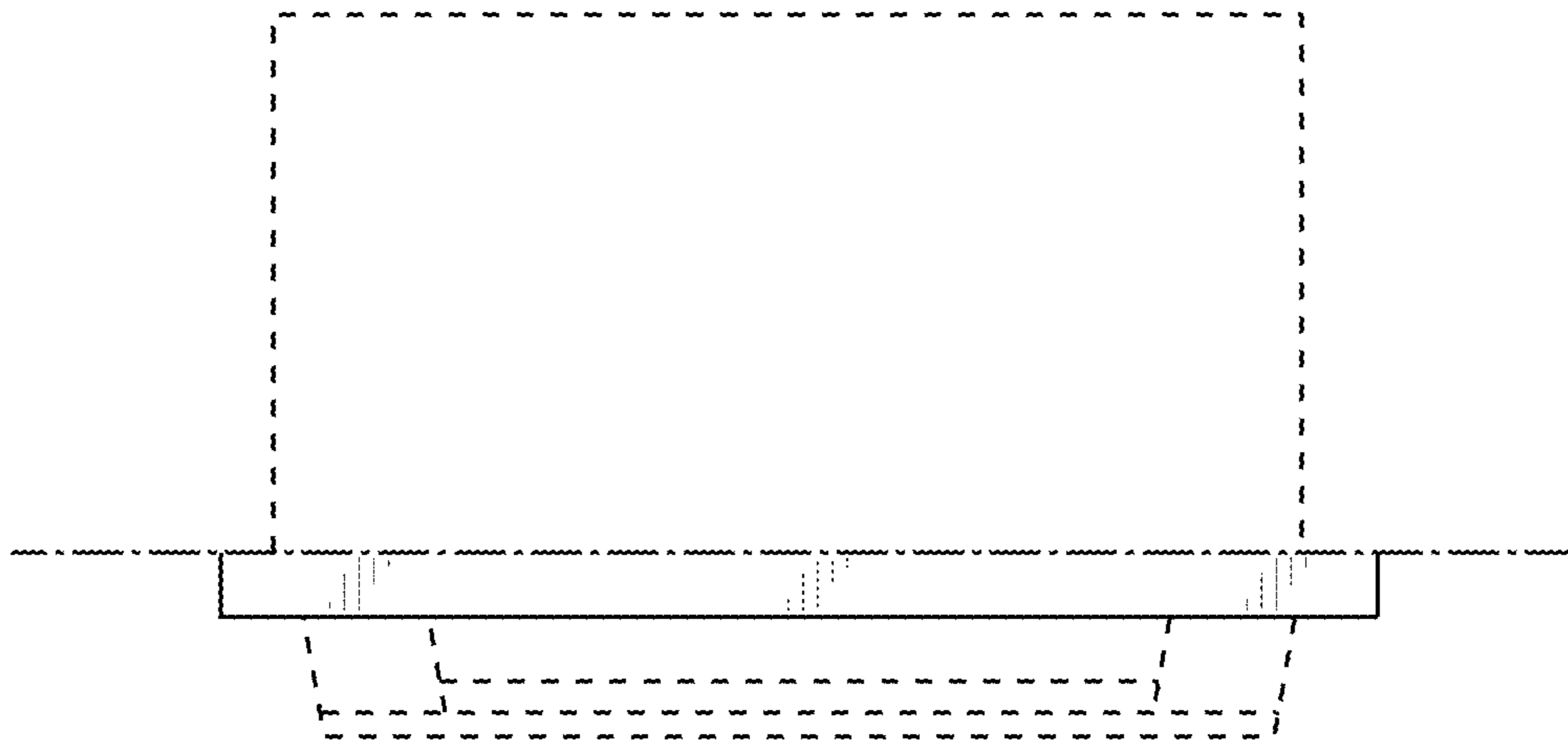


FIG. 6

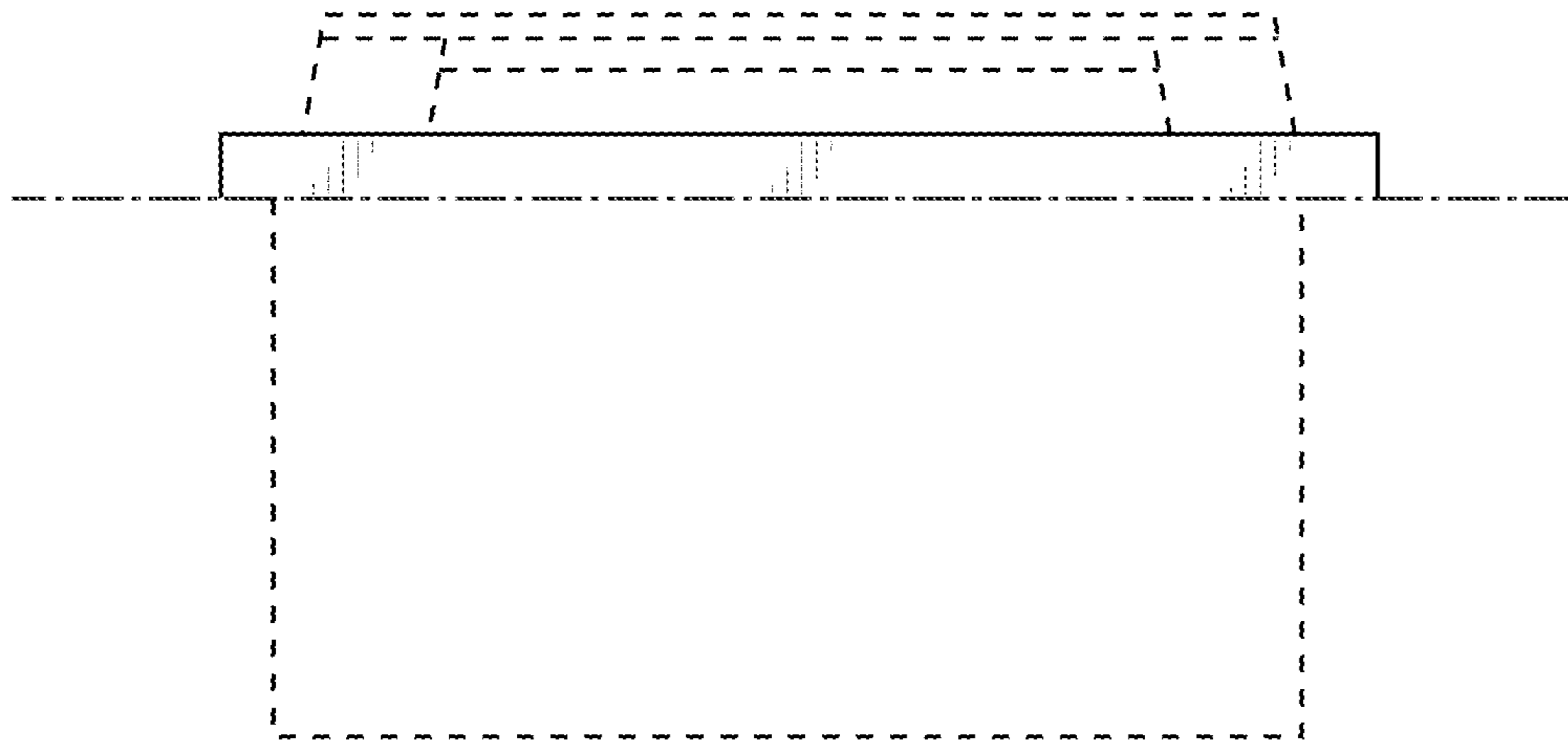


FIG. 7

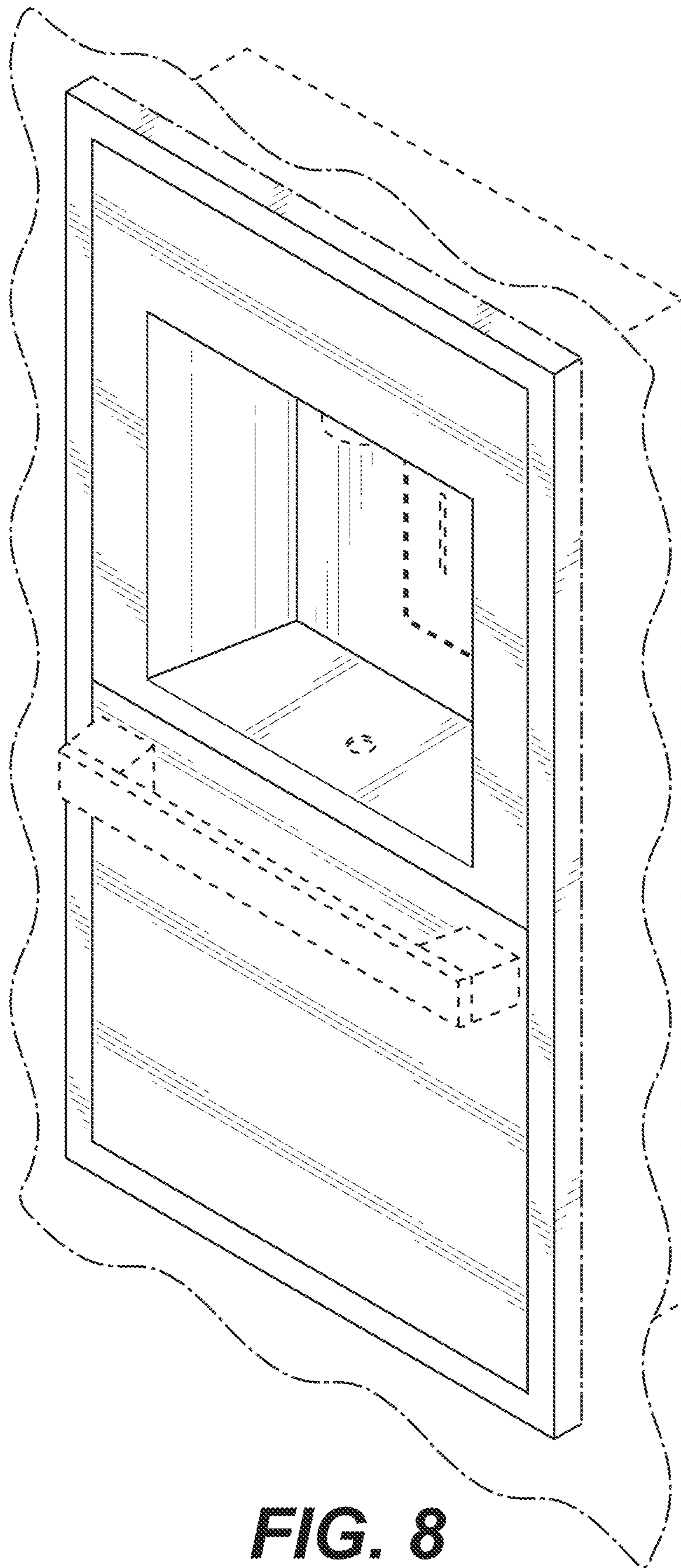


FIG. 8

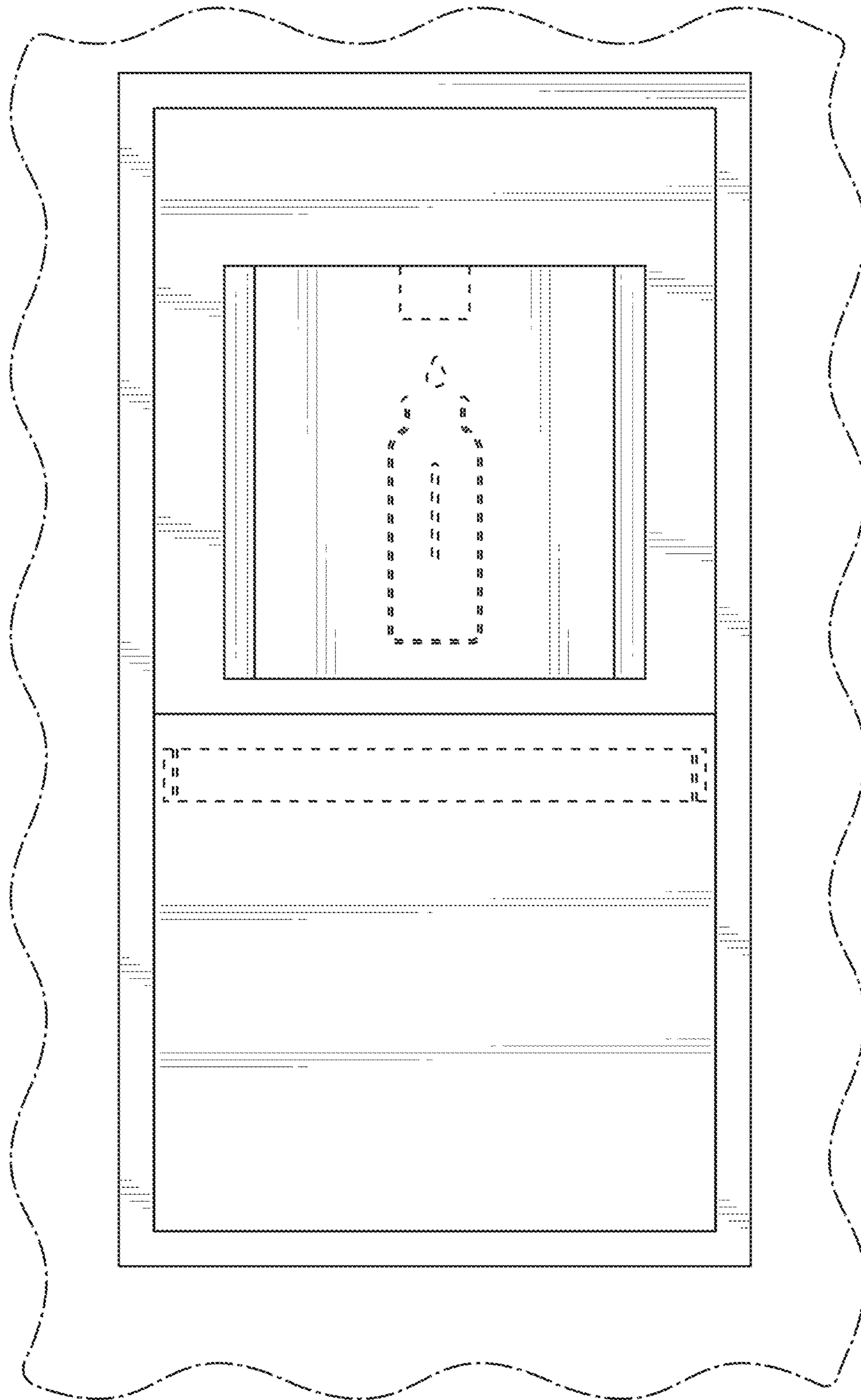


FIG. 9

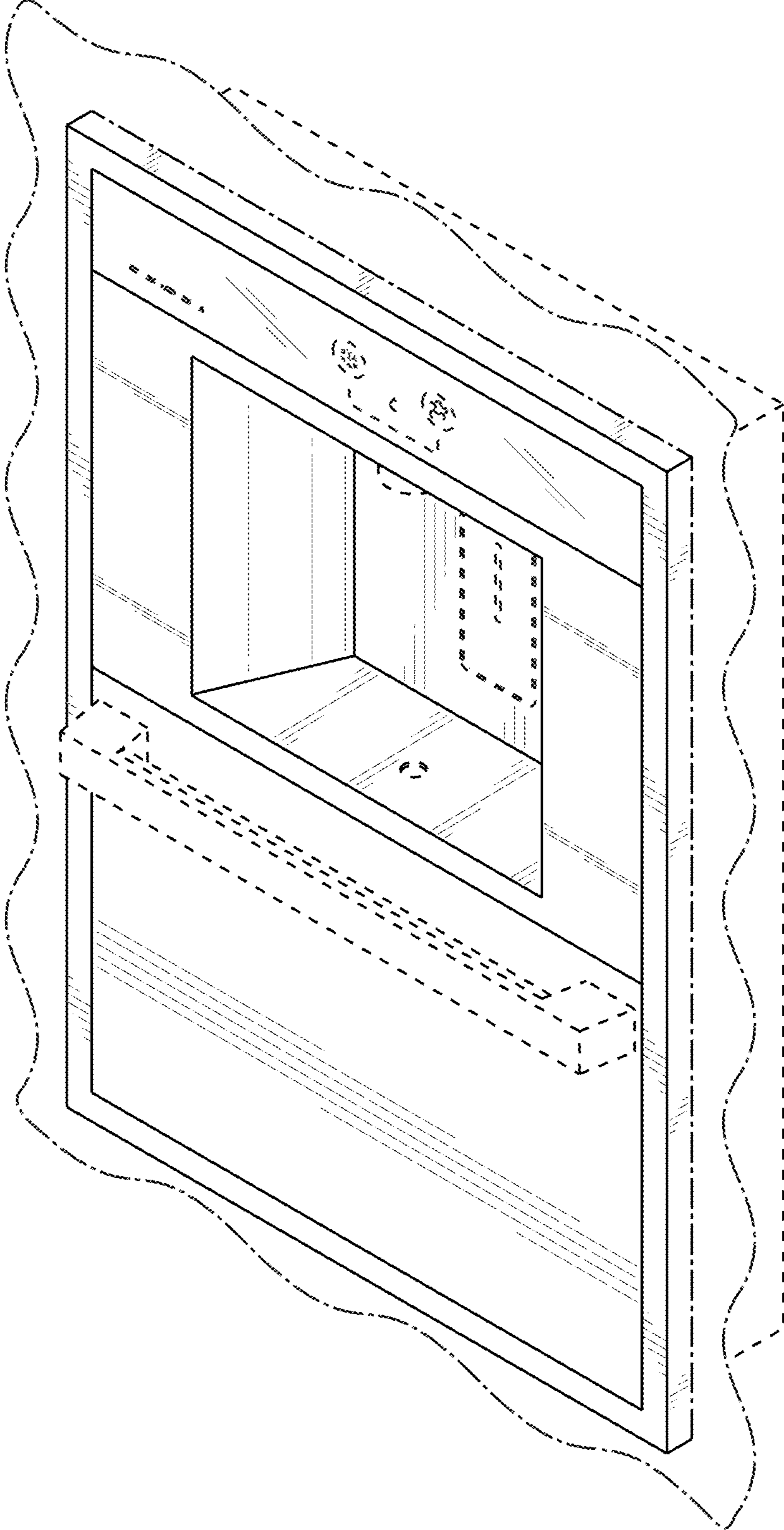


FIG. 10

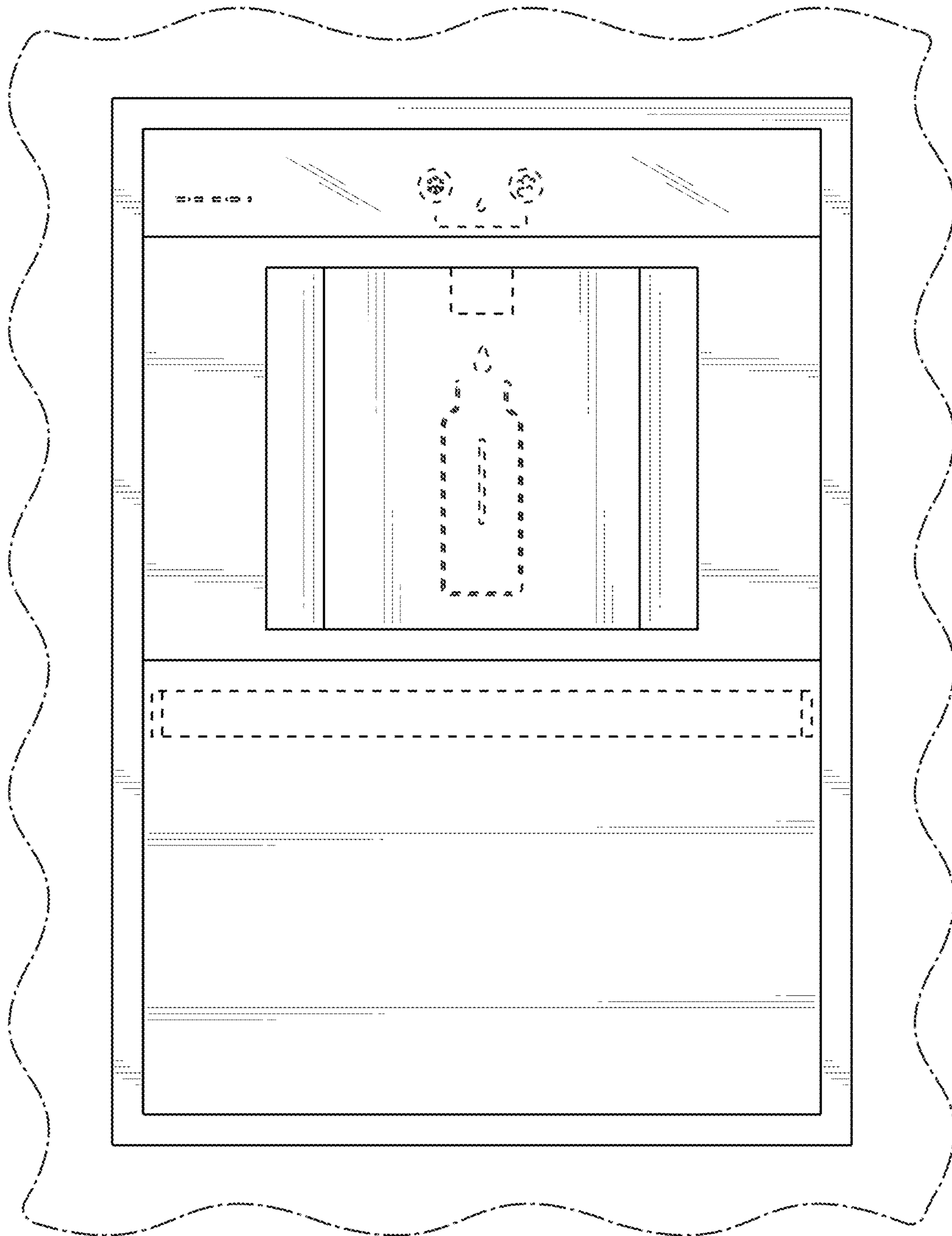


FIG. 11

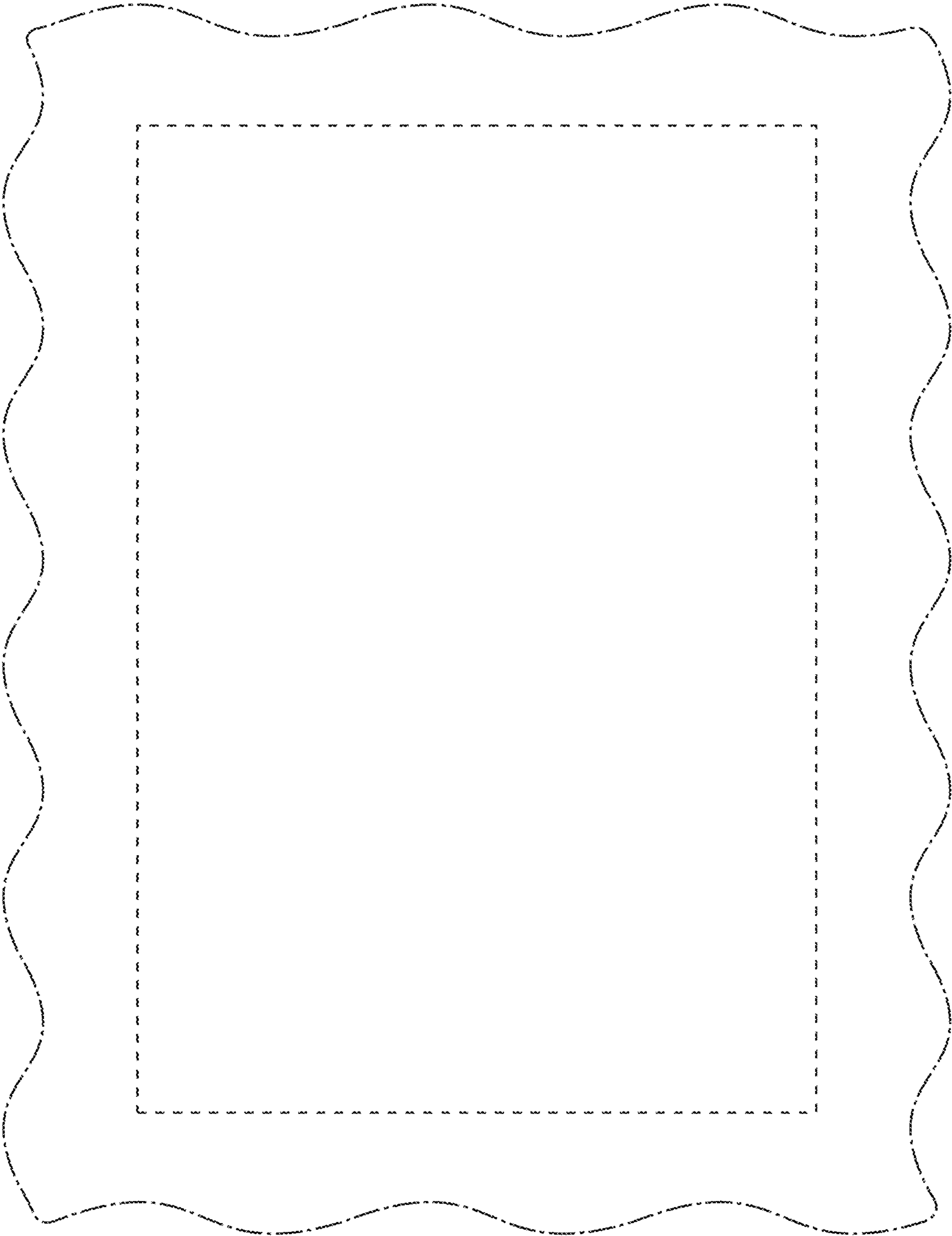


FIG. 12

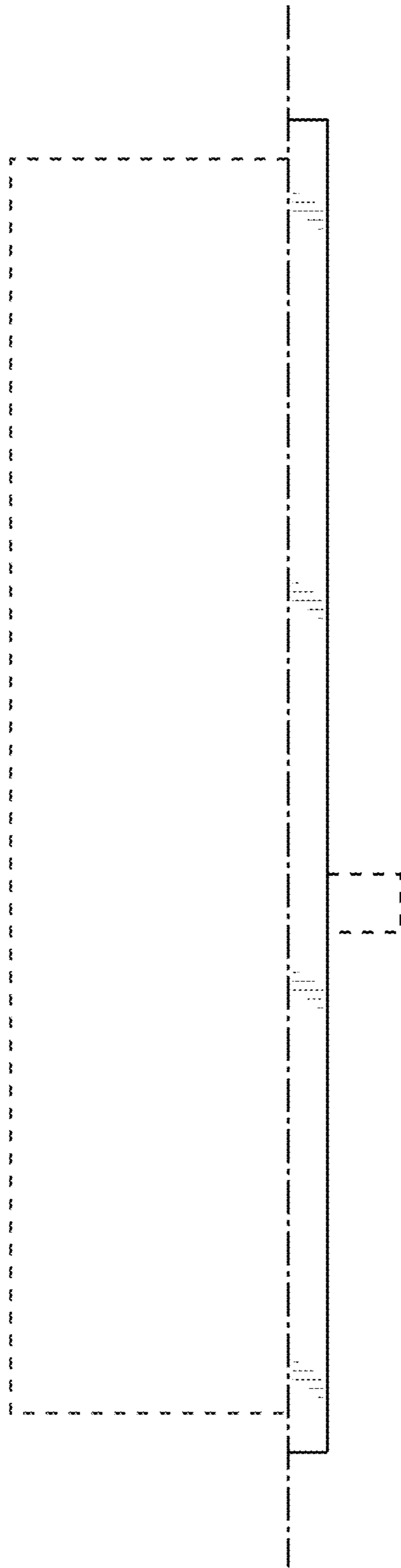


FIG. 13

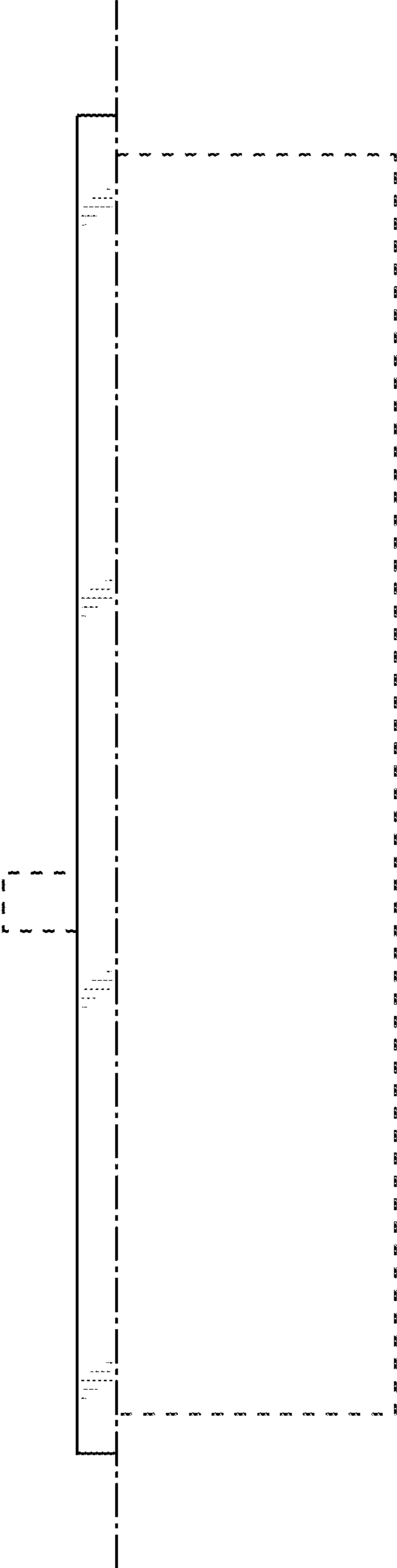


FIG. 14

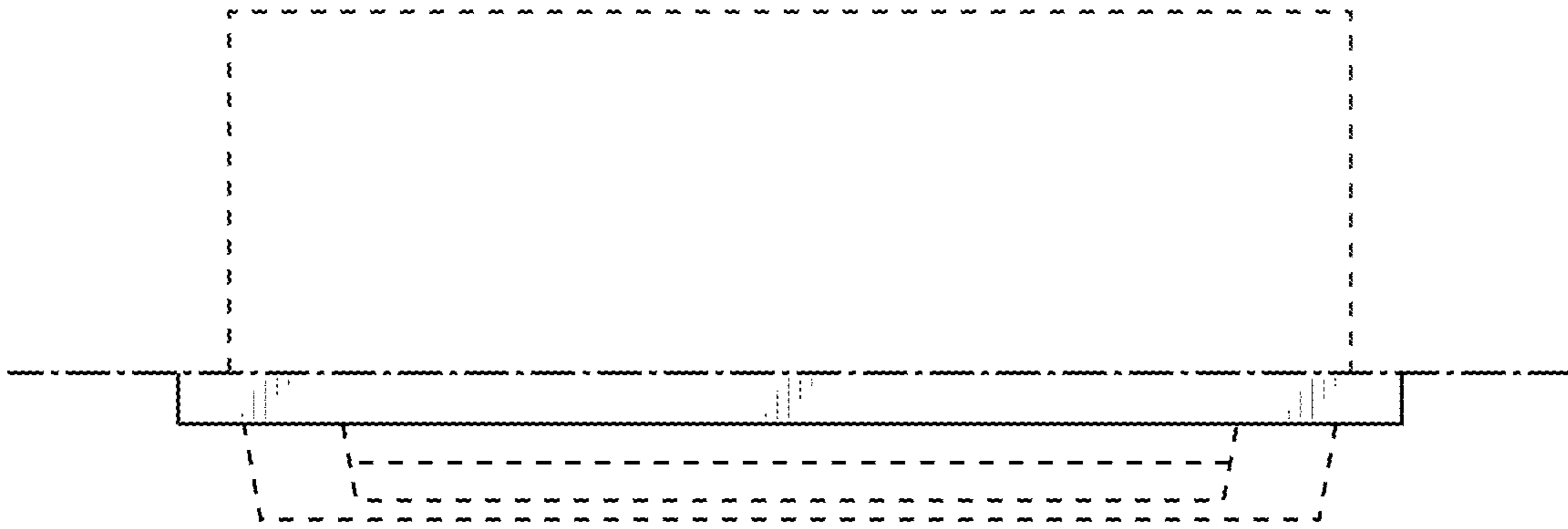


FIG. 15

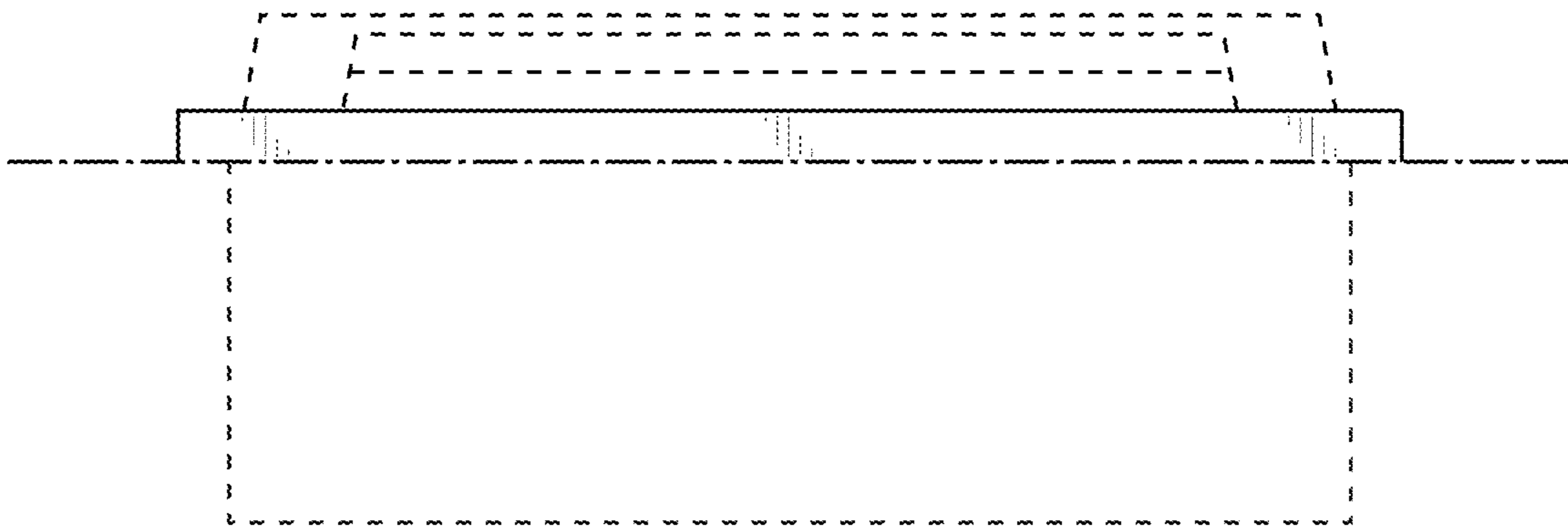


FIG. 16

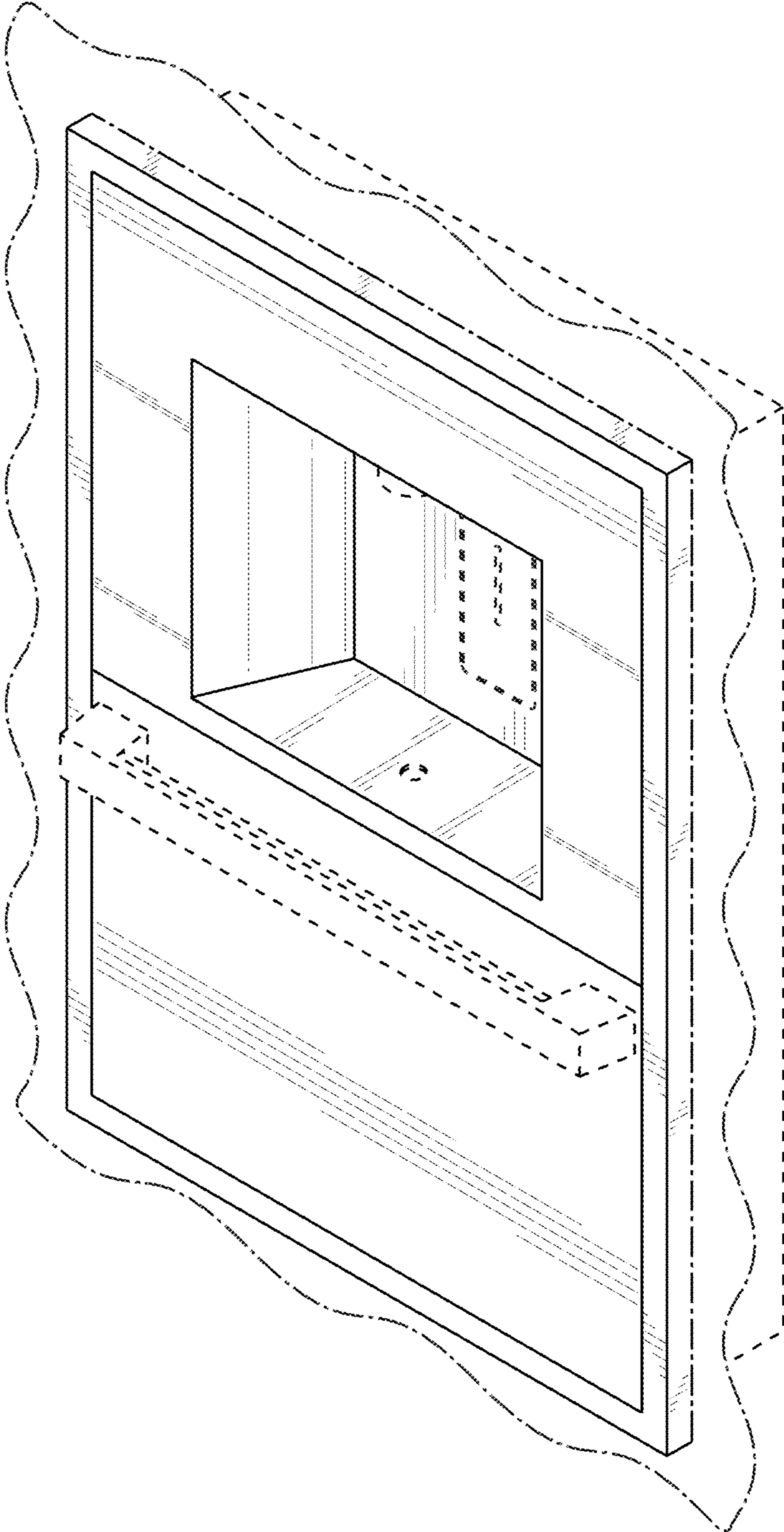


FIG. 17

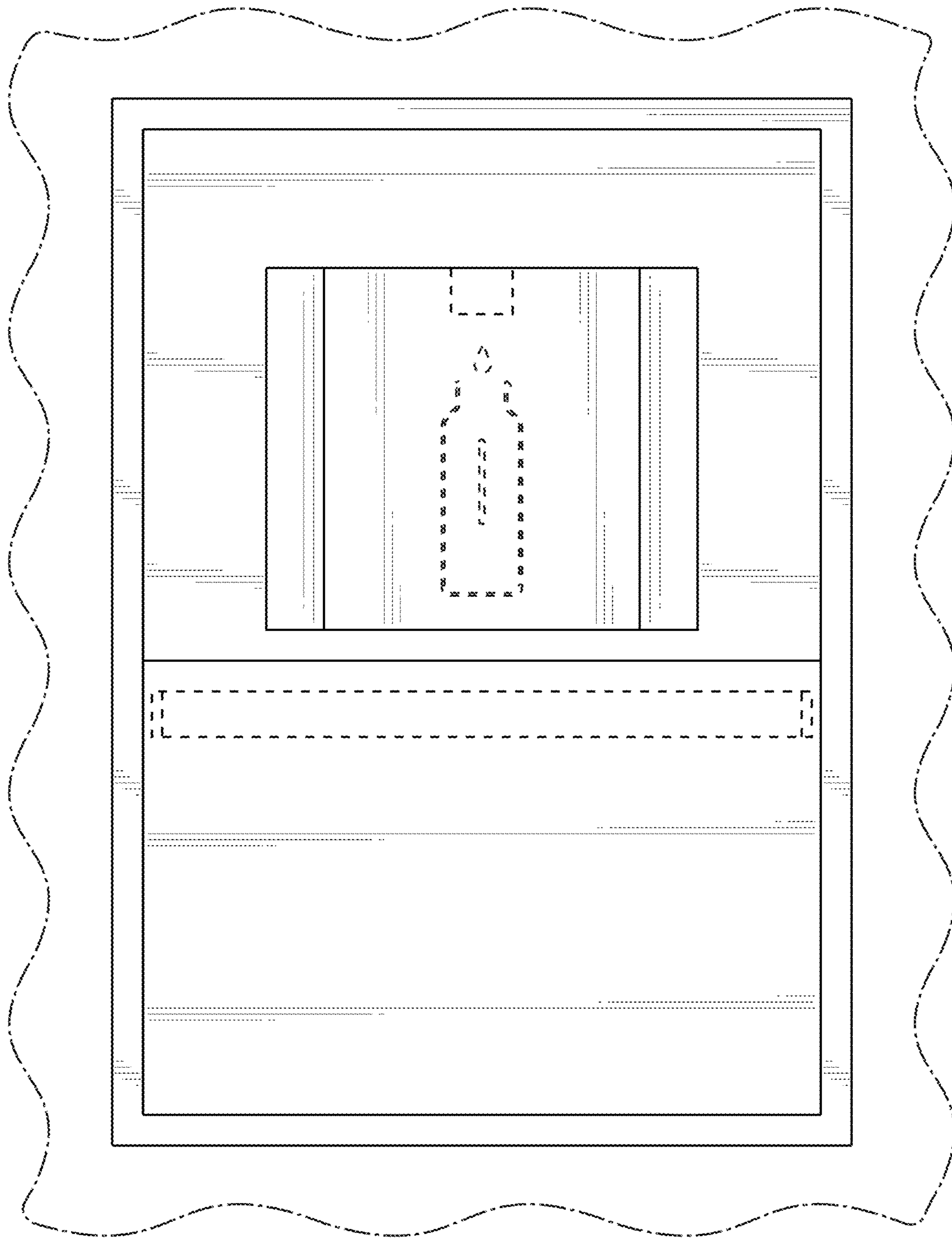


FIG. 18