



US00D914421S

(12) **United States Design Patent** (10) **Patent No.:** **US D914,421 S**
Osler (45) **Date of Patent:** **** Mar. 30, 2021**

(54) **CHAIR BASE**
(71) Applicant: **Kinetic Furniture of Vermont Inc.,**
Colchester, VT (US)
(72) Inventor: **Turner Osler,** Colchester, VT (US)
(73) Assignee: **KINETIC FURNITURE OF**
VERMONT INC., Colchester, VT (US)
(**) Term: **15 Years**
(21) Appl. No.: **29/712,706**
(22) Filed: **Nov. 11, 2019**
(51) **LOC (13) Cl.** **06-06**
(52) **U.S. Cl.**
USPC **D6/716; D6/349**
(58) **Field of Classification Search**
USPC D6/334-338, 340-343, 349-353, 355,
D6/360, 364-365, 691-691.9, 692-692.6,
D6/716-716.1; D25/65
CPC A47B 7/00-02; A47C 11/00; A47C 12/00;
A47C 13/00; A47C 16/00; A47C
16/02-04; A47C 9/00-105; A47K 17/02;
A47K 17/028
See application file for complete search history.

D275,157 S * 8/1984 Rosen D6/692.3
D295,933 S * 5/1988 Colby D6/692.5
D399,066 S * 10/1998 Malatesta D6/349
D414,617 S * 10/1999 Foussianes D6/372
6,997,511 B2 2/2006 Marchand et al.
D554,873 S * 11/2007 Ma D6/349
7,396,083 B2 7/2008 Kasner
D720,143 S * 12/2014 Barber D6/352

(Continued)

FOREIGN PATENT DOCUMENTS

CA 2601207 C 4/2014
JP 4108322 B2 6/2008

OTHER PUBLICATIONS

Stool (USA), CA. 1935. [online] Retrieved Jan. 12, 2021 from
URL: <https://collection.cooperhewitt.org/objects/18636909/>.*

(Continued)

Primary Examiner — Vy N Koenig
(74) *Attorney, Agent, or Firm* — Shawn Gordon, Esq.;
Dunkiel Saunders Elliott Raubvogel & Hand, PLLC

(57) **CLAIM**

The ornamental design for a chair base, as shown and
described.

DESCRIPTION

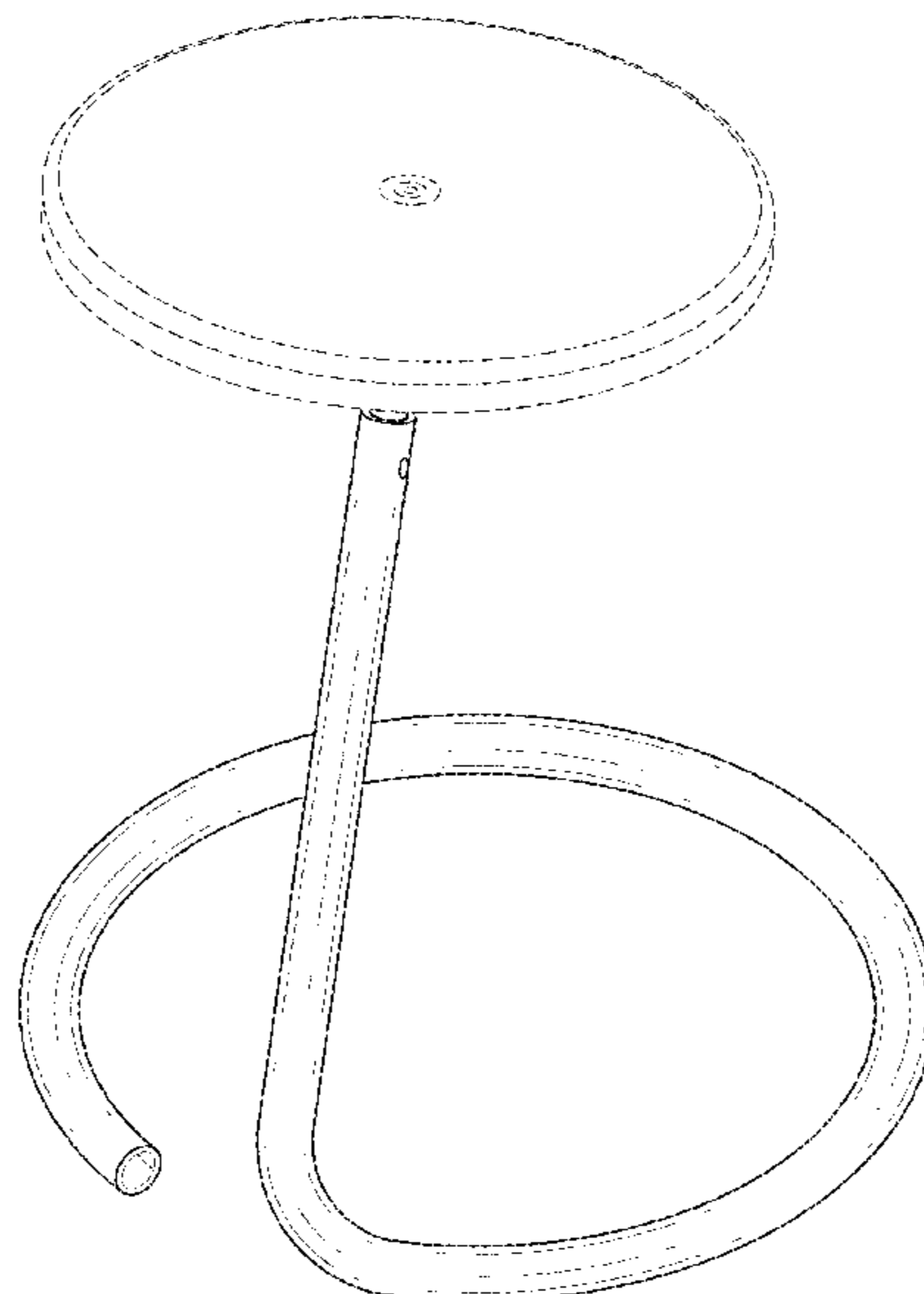
FIG. 1 is a perspective view of a chair base showing our new
design;
FIG. 2 is a front view thereof;
FIG. 3 is a rear view thereof;
FIG. 4 is a right side view thereof;
FIG. 5 is a left side view thereof;
FIG. 6 is a top view thereof; and,
FIG. 7 is a bottom view thereof.
The broken lines in the drawings depict environmental
subject matter that no part of the claimed design.

1 Claim, 7 Drawing Sheets

(56) **References Cited**

U.S. PATENT DOCUMENTS

1,976,449 A * 10/1934 Lorenz A47C 3/023
297/295
2,193,527 A 3/1940 Bentz
D137,904 S * 5/1944 Dieter D6/372
3,656,808 A * 4/1972 Chang A47C 5/06
297/451.4
D224,635 S * 8/1972 Yuenger D6/372
D234,101 S * 1/1975 Salmon et al. D6/349
D234,277 S * 2/1975 Salmon et al. D6/349
D244,643 S * 6/1977 Deaton D6/372
D273,737 S * 5/1984 Rosen D6/692.5



(56)

References Cited

U.S. PATENT DOCUMENTS

D720,161 S * 12/2014 Udagawa D6/656.13
D821,789 S * 7/2018 Traeger D6/692.3

OTHER PUBLICATIONS

Mid Century Round Chrome and Glass Cantilevered Side Table. [online] Retrieved Jan. 12, 2021 from URL: <https://www.chairish.com/product/1928081/mid-century-round-chrome-and-glass-cantilevered-side-table>.*

Round Bauhaus Style Side Table. [online] Retrieved Jan. 12, 2021 from URL: <https://www.chairish.com/product/2720474/round-bauhaus-style-side-table>.*

Safco Furniture, "Safco Office Furniture Mogo Seat by Focal Upright™", retrieved on Feb. 5, 2020 at https://www.safcofurniture2go.com/product/QBA924/Mogo-Seat-by-Focal-Upright%E2%84%A2-by-Safco-Office-Furniture.aspx?cat=120A02A02-QBA9248,origin=&kw=&cat=102A02A01-gs-lSmart_Shopping.

Via Seating, "Swopper® Classic", retrieved Feb. 5, 2020 at http://www.swopperusa.com/swopper-classic-1/?sku=SWUS_CLASSIC-A-01SW&gclid=EAlaIQobChMlwJgzpq75wIVAo7ICh3_eACpEAQYASABEgJ_PvD_BwE.

Wigli, "Wigli Junior Soft Seat", retrieved on Feb. 5, 2020 at <https://www.wiglichairs.com/Wigli-Junior-Softseater-Active-chair-for-children>.

* cited by examiner

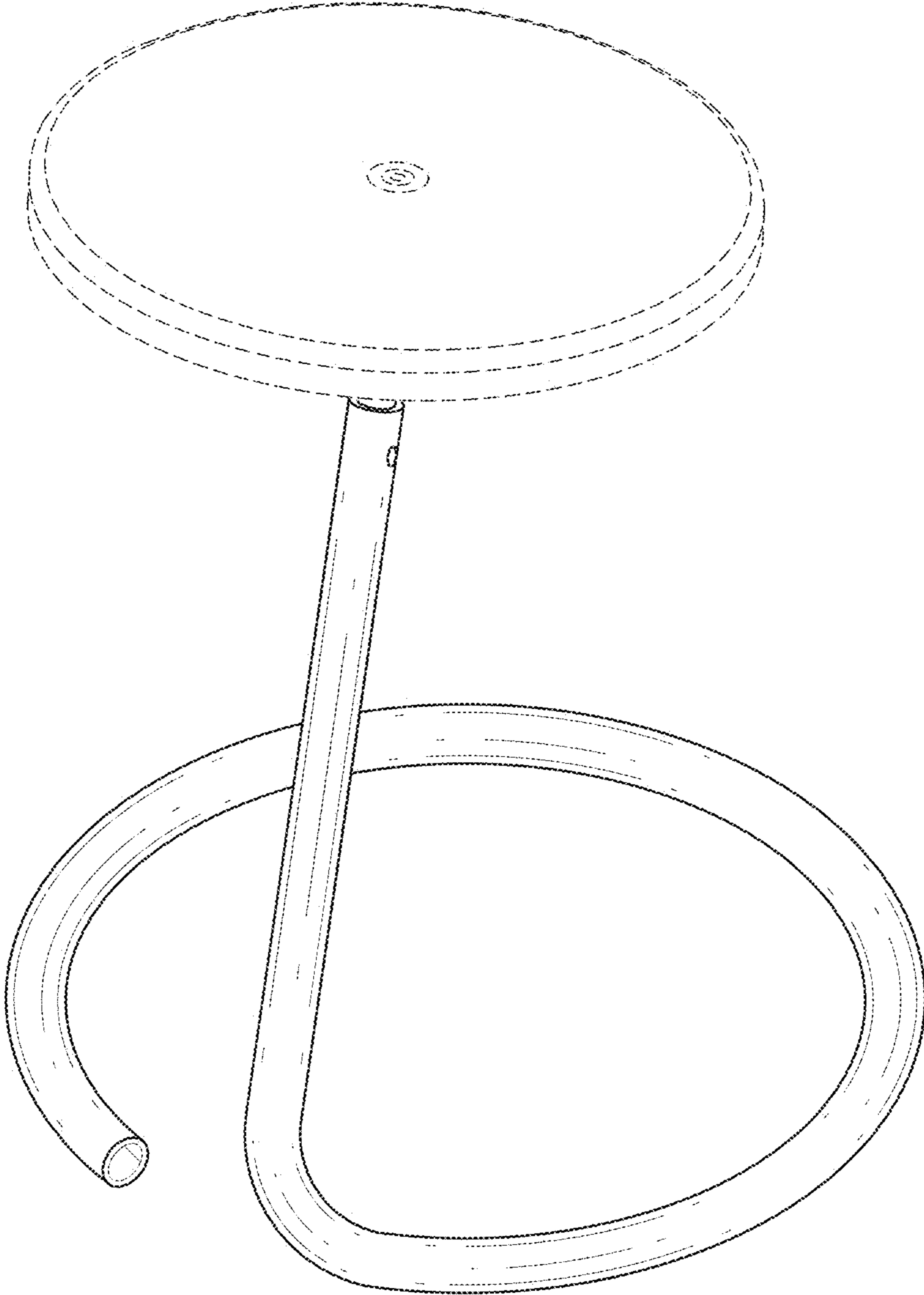


FIG. 1

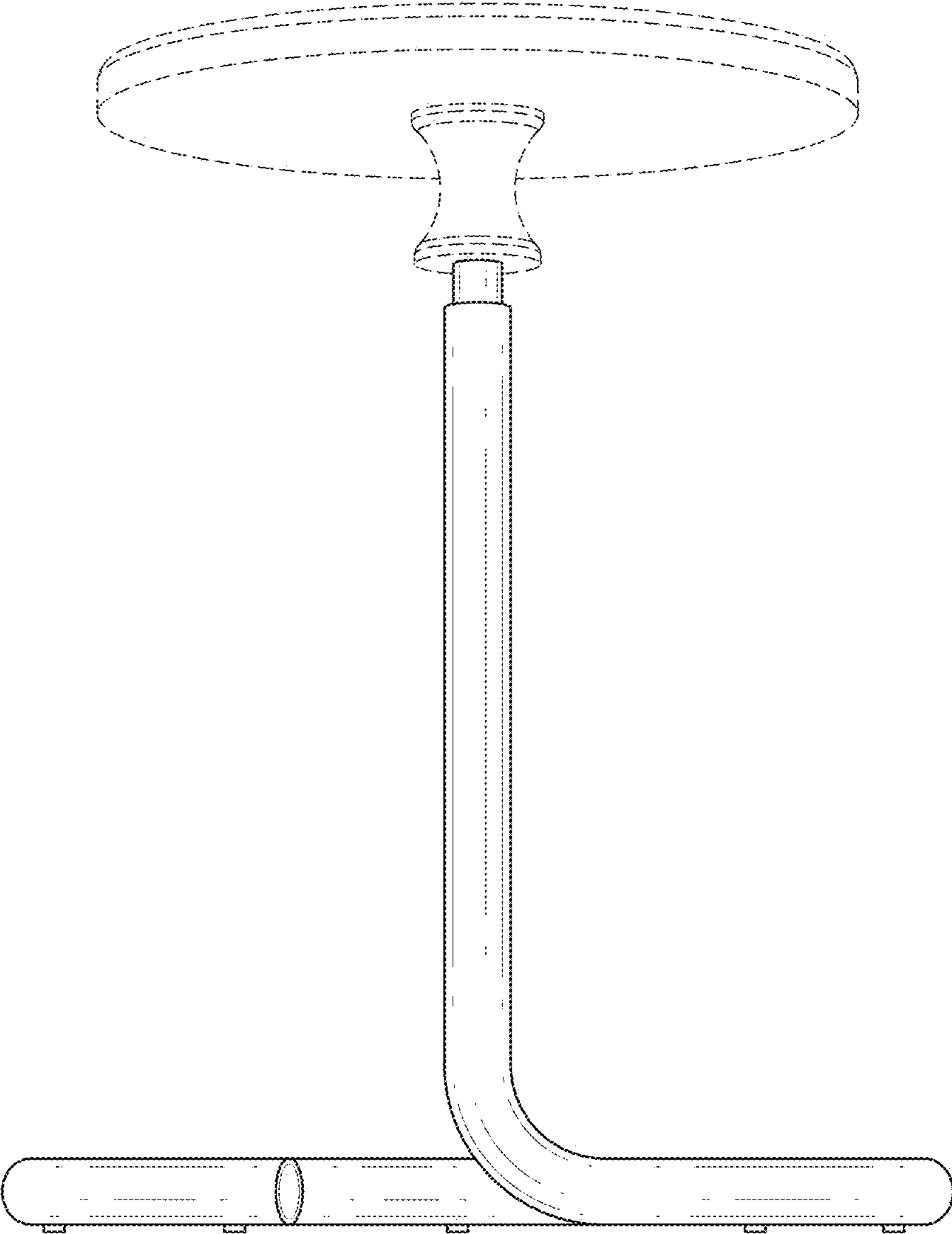


FIG. 2

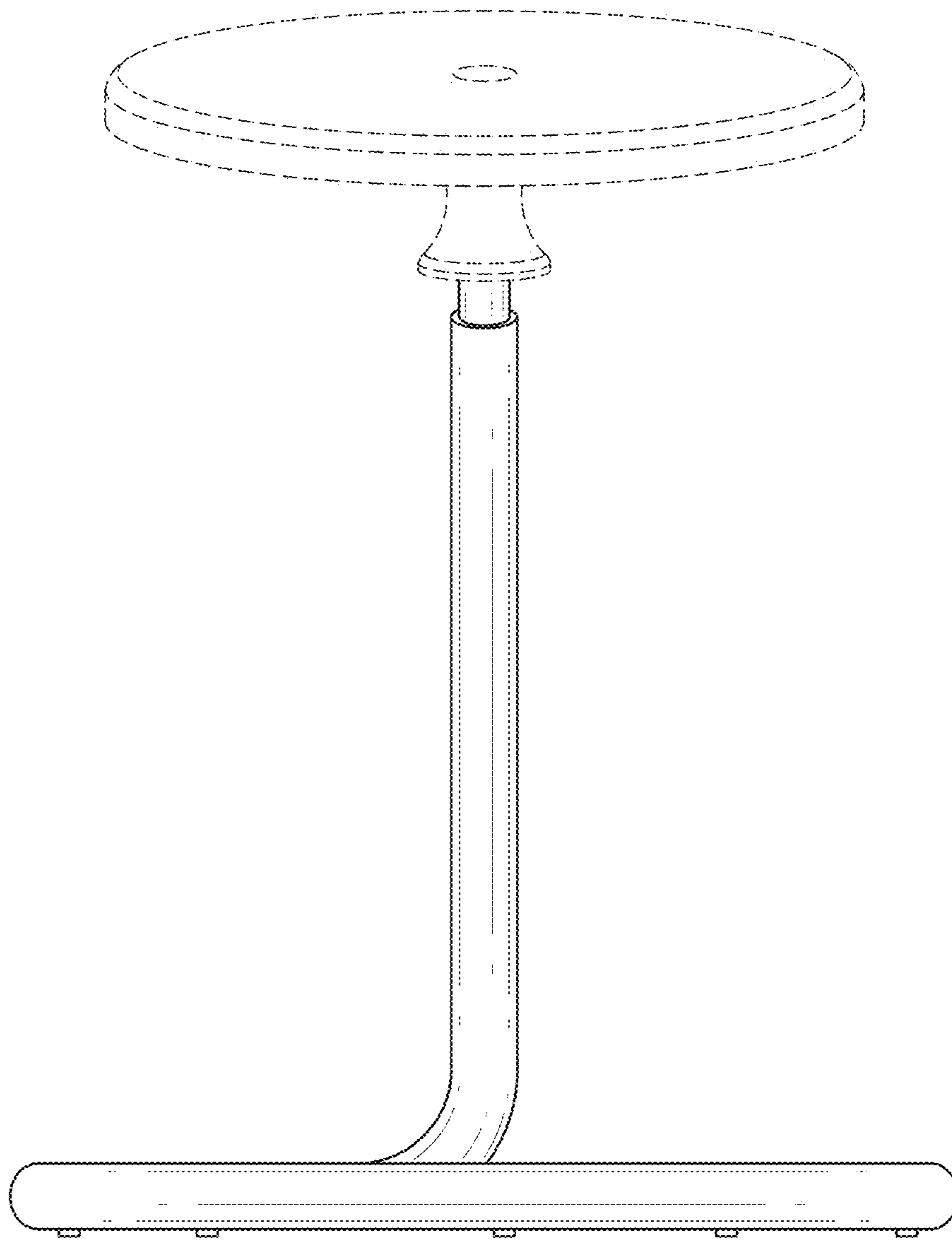


FIG. 3

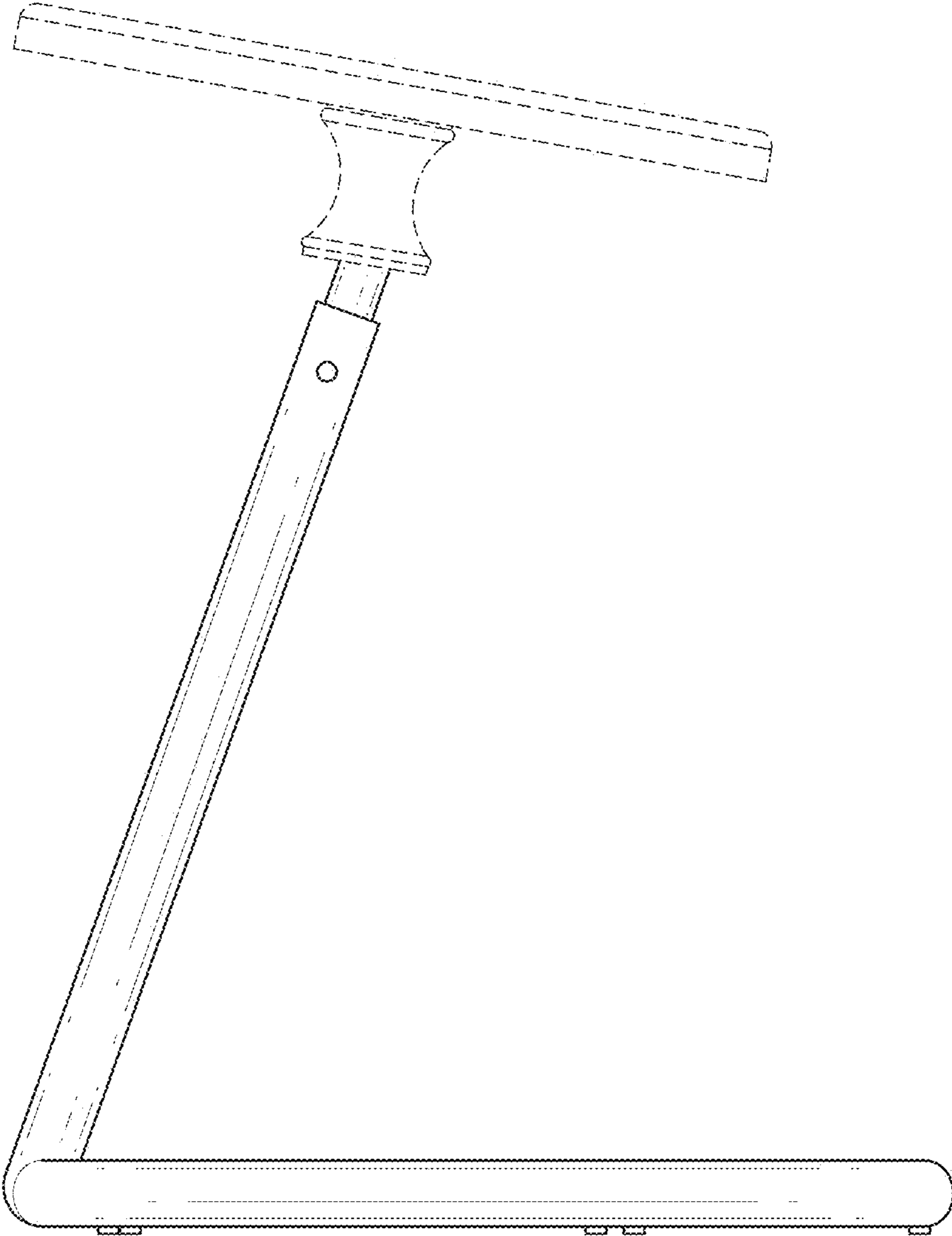


FIG. 4

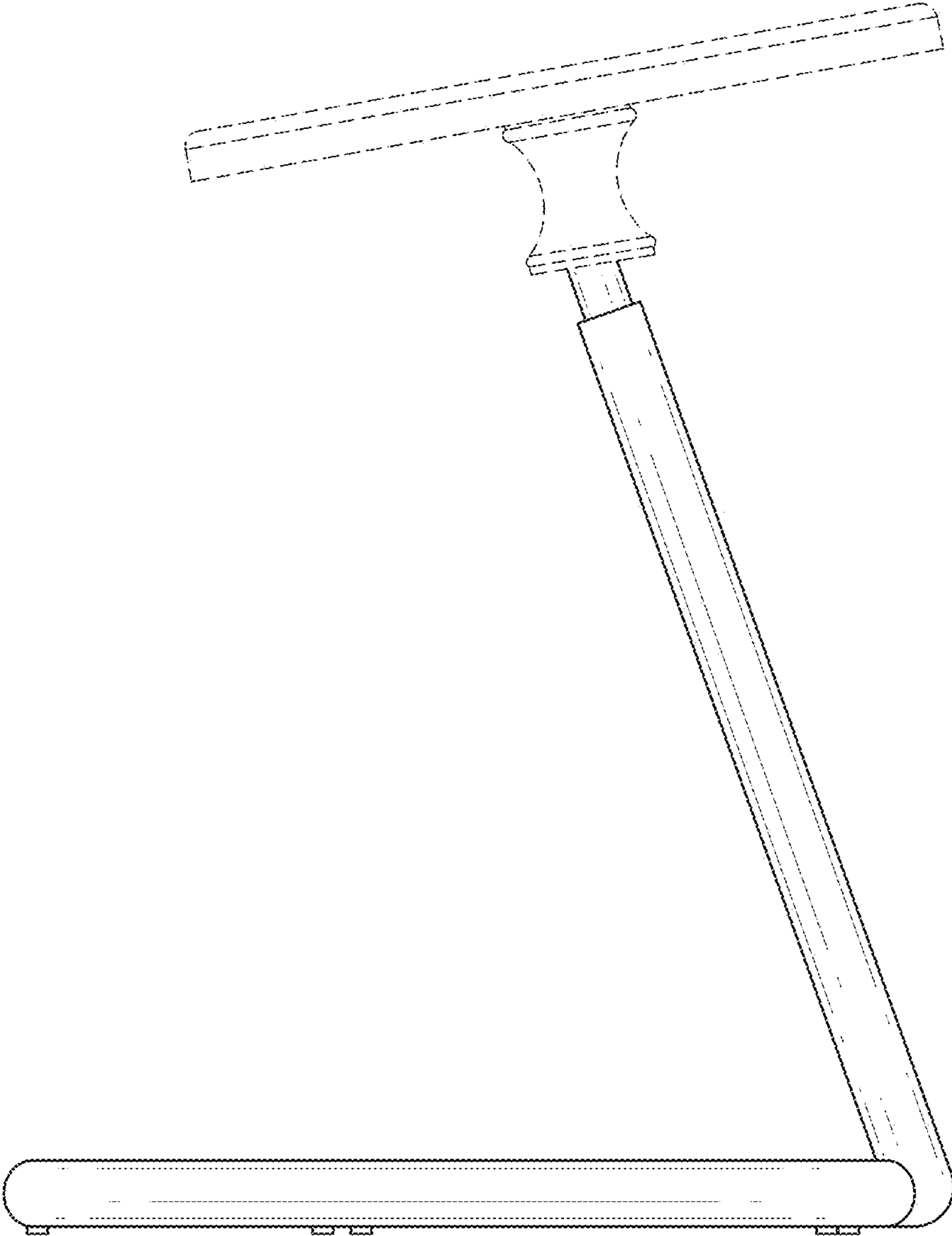


FIG. 5

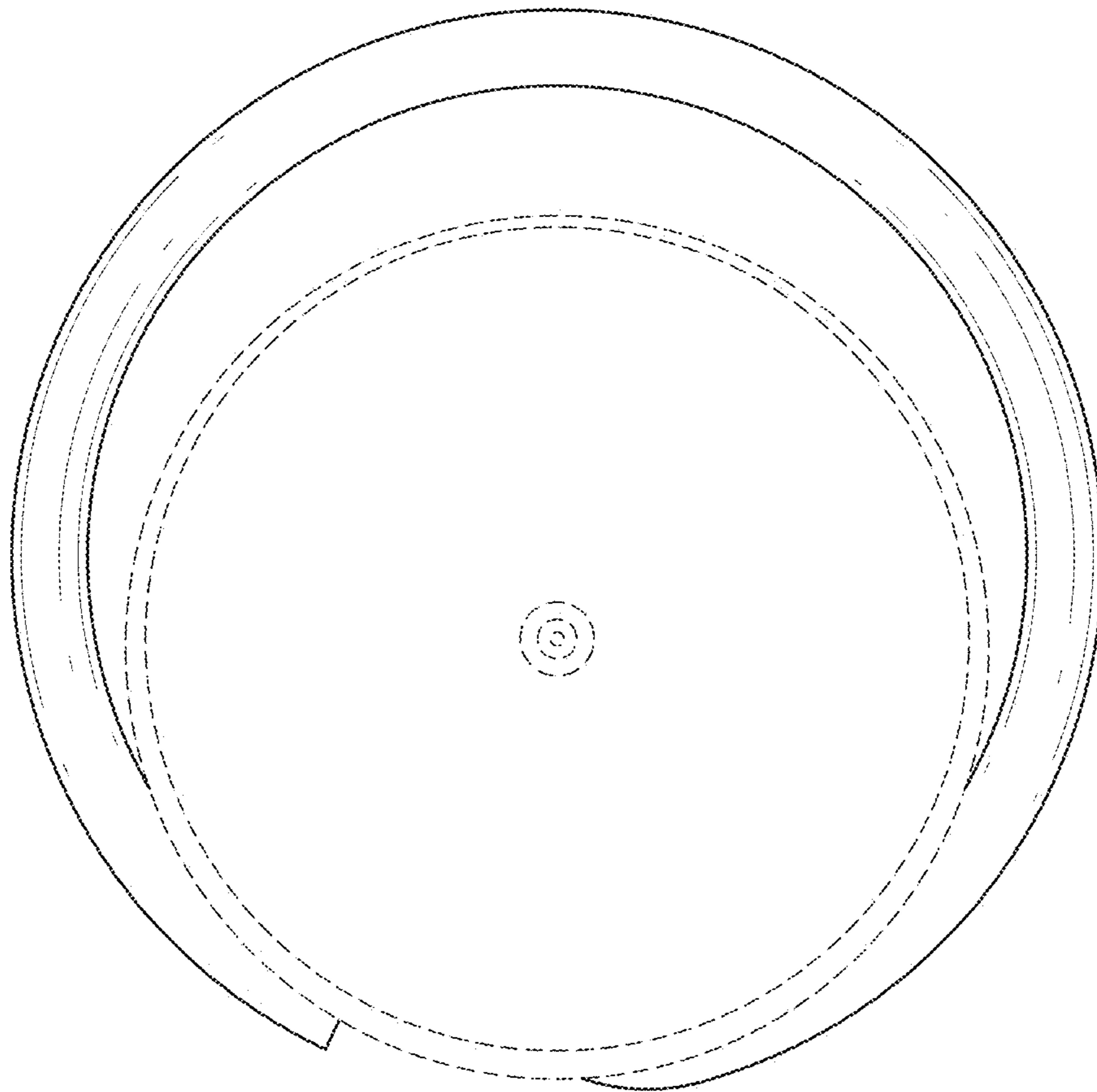


FIG. 6

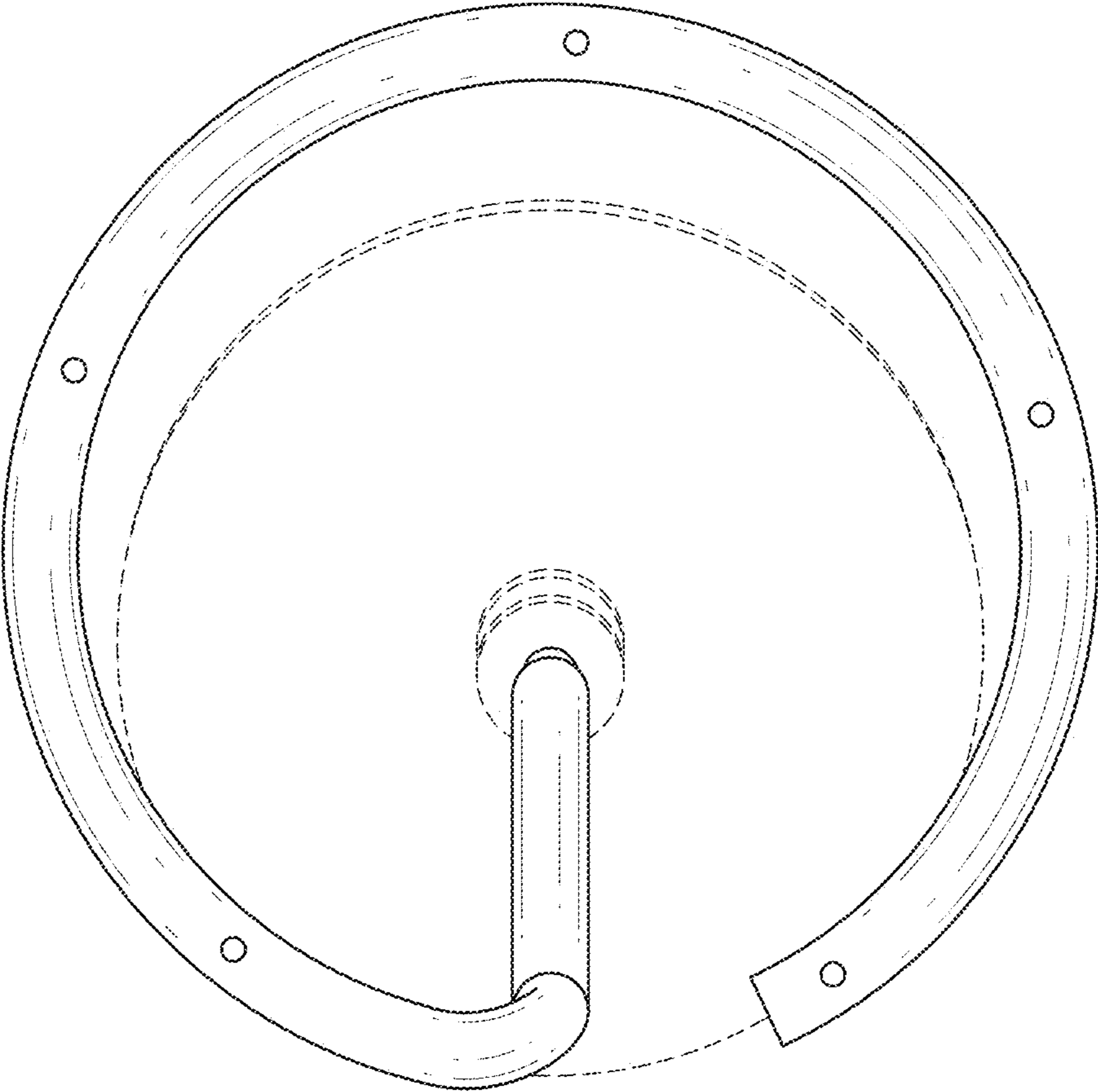


FIG. 7