



US00D914420S

(12) **United States Design Patent** (10) **Patent No.:** **US D914,420 S**
Baez (45) **Date of Patent:** **** Mar. 30, 2021**

- (54) **SHELVING SUPPORT POST**
- (71) Applicant: **CAMBRO MANUFACTURING COMPANY**, Huntington Beach, CA (US)
- (72) Inventor: **Jorge Baez**, Lake Forest, CA (US)
- (73) Assignee: **CAMBRO MANUFACTURING COMPANY**, Huntington Beach, CA (US)
- (**) Term: **15 Years**
- (21) Appl. No.: **29/722,706**
- (22) Filed: **Jan. 31, 2020**
- (51) **LOC (13) Cl.** **06-06**
- (52) **U.S. Cl.**
USPC **D6/712**
- (58) **Field of Classification Search**
USPC D6/691, 702, 707, 707.17, 707.24, 708, D6/708.16, 708.17, 708.21, 709.2, 709; D20/41; D25/119, 122, 123, 125, 126
CPC A47B 13/00; A47B 13/003; A47B 13/02; A47B 2013/006; A47B 21/02; A47B 45/00; A47B 47/0008; A47B 47/0025; A47B 91/005; A47B 91/12; A47B 95/00; A47B 2200/002
See application file for complete search history.

D508,572 S *	8/2005	Suggate	D25/134
D509,455 S *	9/2005	Nordahl	D10/106.1
D589,724 S *	4/2009	Howe	D25/126
D590,642 S *	4/2009	Singh	D6/709
D598,573 S *	8/2009	Clarke	D25/121
D620,782 S *	8/2010	Wurdack	D8/363
D700,793 S *	3/2014	Marinelli	D6/675
D877,940 S *	3/2020	Hanson	D25/126
2002/0194803 A1 *	12/2002	Mitchell	F16B 17/006 52/297

(Continued)

Primary Examiner — Kelley A Donnelly
(74) *Attorney, Agent, or Firm* — George Bethel

(57) **CLAIM**

I claim the ornamental design for a shelving support post, as shown and described.

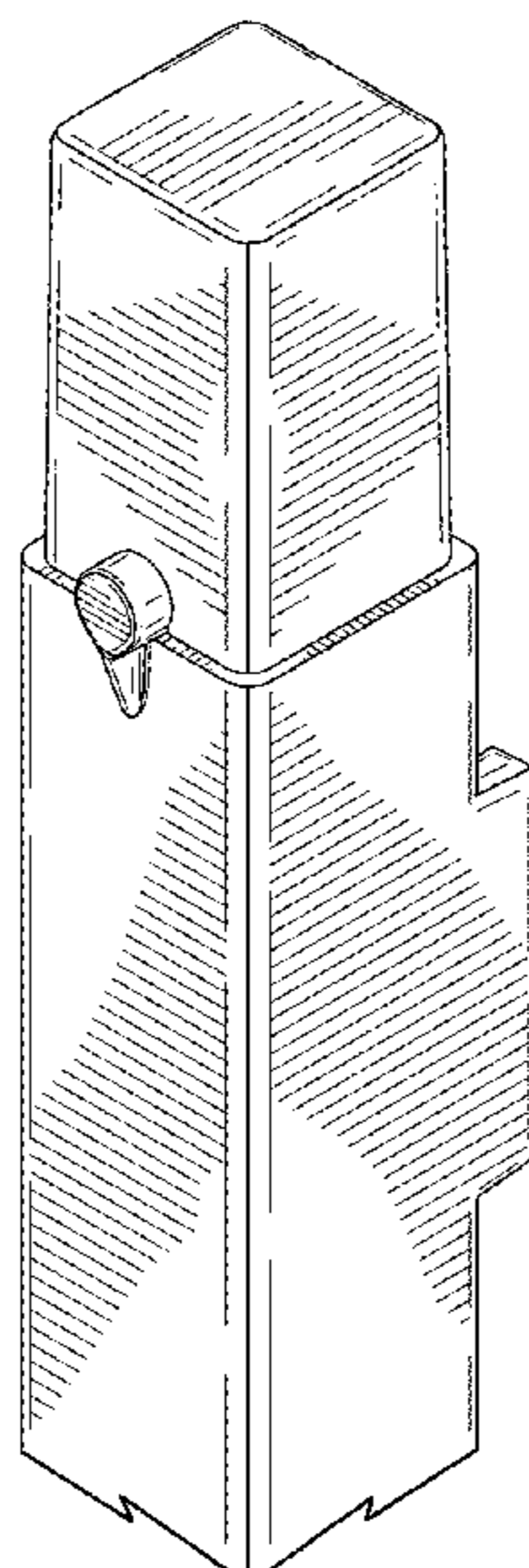
DESCRIPTION

FIG. 1 shows a right hand perspective view of the shelving support post.
 FIG. 2 shows a front elevation view thereof.
 FIG. 3 shows a right elevation thereof.
 FIG. 4 shows a rear elevation view thereof.
 FIG. 5 shows a left side elevation view thereof.
 FIG. 6 shows a top plan view thereof.
 FIG. 7 shows a bottom plan view thereof.
 FIG. 8 shows a frontal perspective view of the environment in which the shelving support post is used.
 FIG. 9 shows a righthand perspective view of an alternative embodiment of the shelving support post.
 FIG. 10 shows a front elevation view thereof.
 FIG. 11 shows a right elevation view thereof.
 FIG. 12 shows a rear elevation view thereof.
 FIG. 13 shows a left side elevation view thereof.
 FIG. 14 shows a top plan view thereof.
 FIG. 15 shows a bottom plan view thereof; and,
 FIG. 16 shows a frontal perspective view of the alternative embodiment in the environment in which it is used.

1 Claim, 8 Drawing Sheets

(56) **References Cited**
U.S. PATENT DOCUMENTS

5,481,846 A *	1/1996	Macchietto	E04C 3/32 248/158
D378,706 S *	4/1997	Valentine	D30/133
D409,768 S *	5/1999	Schiess	D25/126
D435,435 S *	12/2000	Shea	D8/363
D453,512 S *	2/2002	Campagna	D14/385
D482,912 S *	12/2003	Curotto, Jr.	D6/709
D484,252 S *	12/2003	Hughes	D25/121



(56)

References Cited

U.S. PATENT DOCUMENTS

2008/0116333 A1* 5/2008 Chang F16M 11/28
248/200.1
2008/0191183 A1* 8/2008 Rucks B66F 3/08
254/424
2014/0299829 A1* 10/2014 Herman E04H 17/20
256/46
2015/0225919 A1* 8/2015 Wagler E02D 27/42
52/166
2016/0237712 A1* 8/2016 Finnegan E04H 12/2215
2019/0376308 A1* 12/2019 Tersigni E04H 12/2292

* cited by examiner

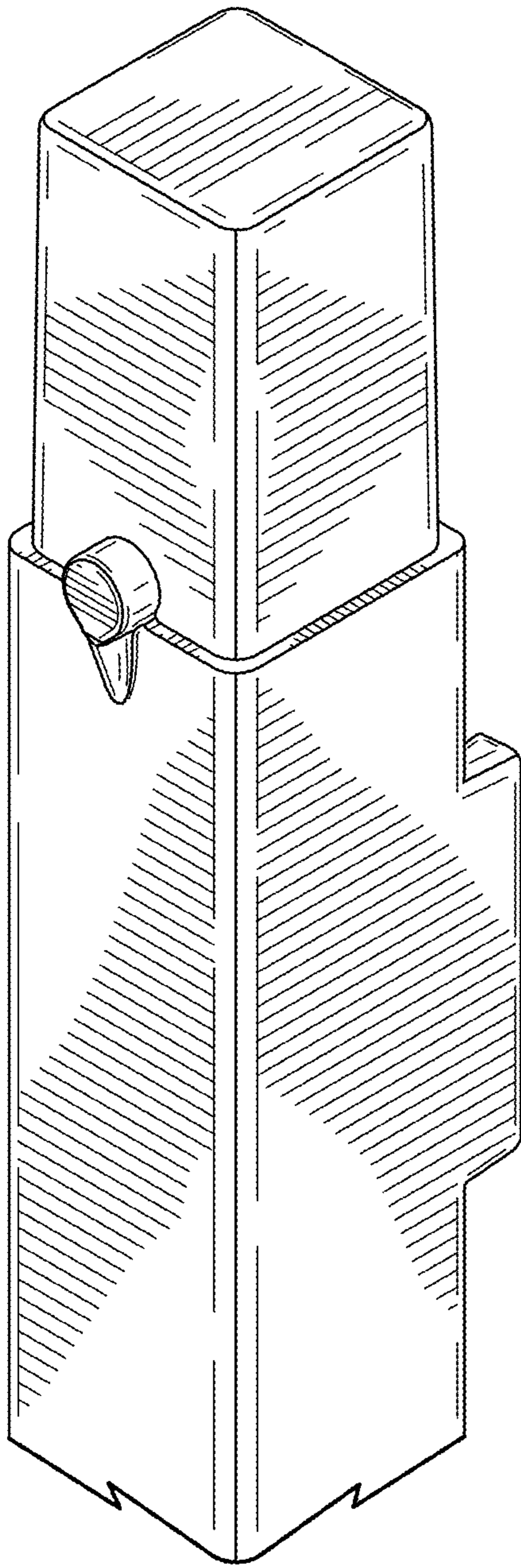


FIG. 1

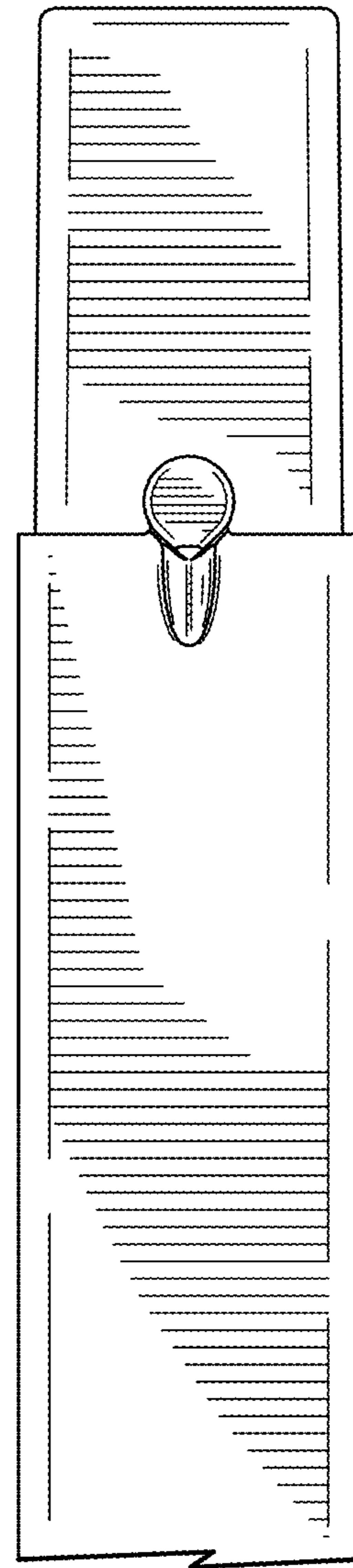


FIG. 2

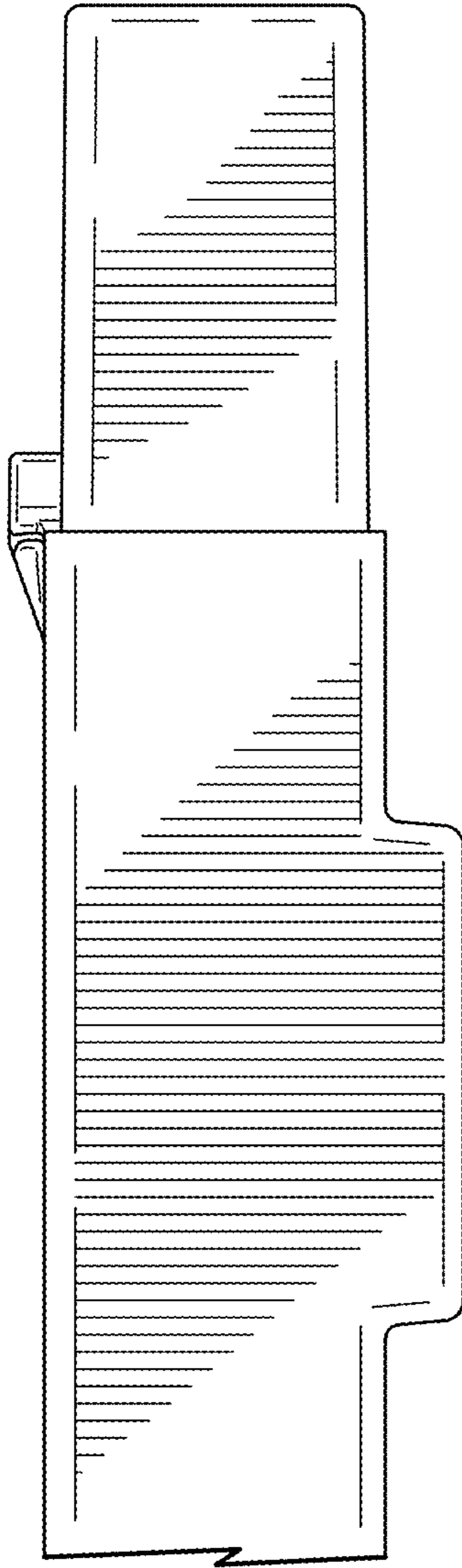


FIG. 3

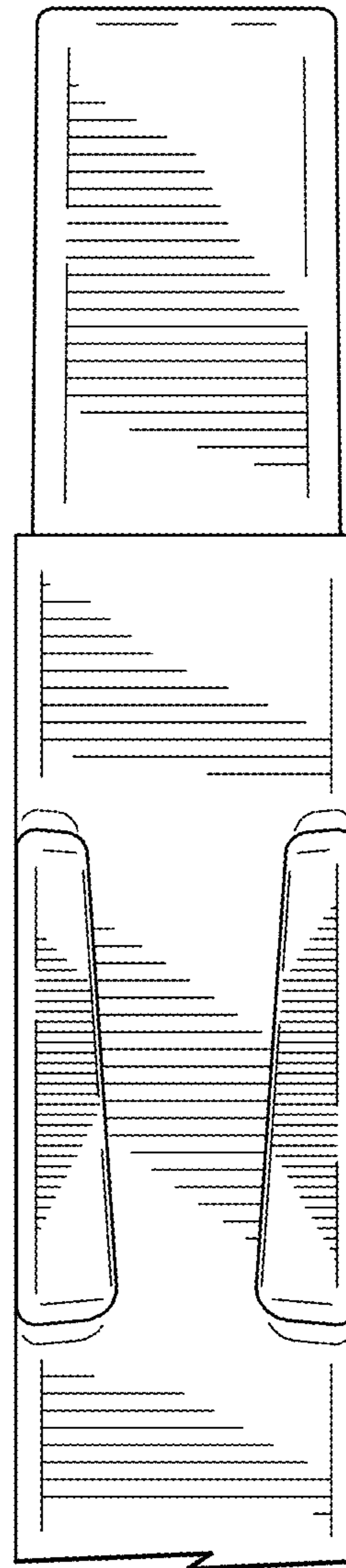


FIG. 4

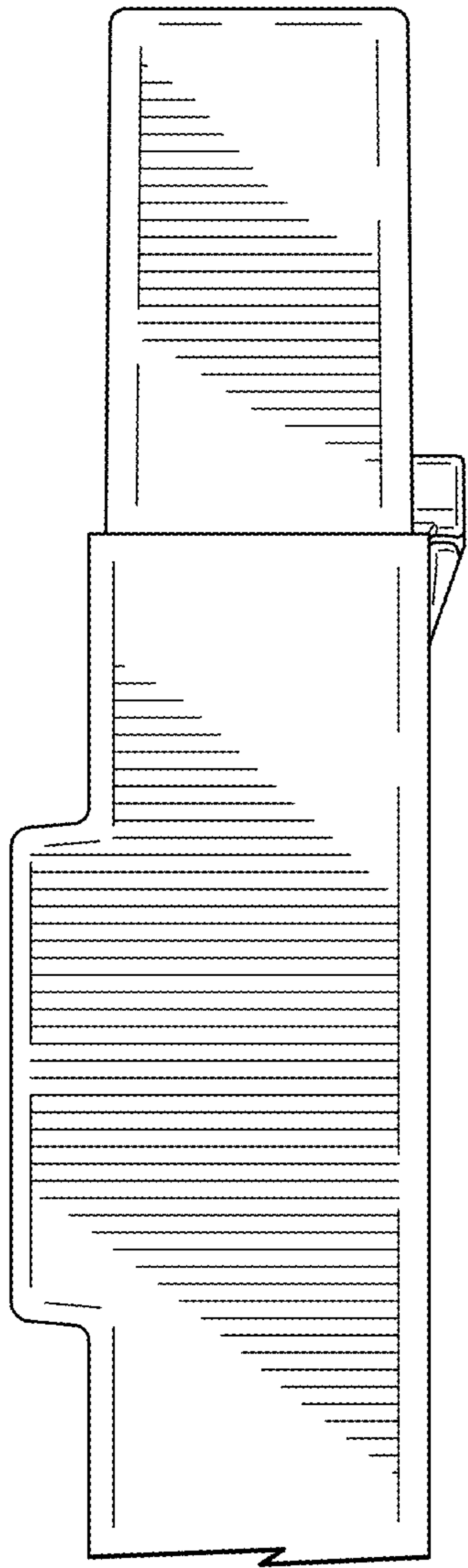


FIG. 5

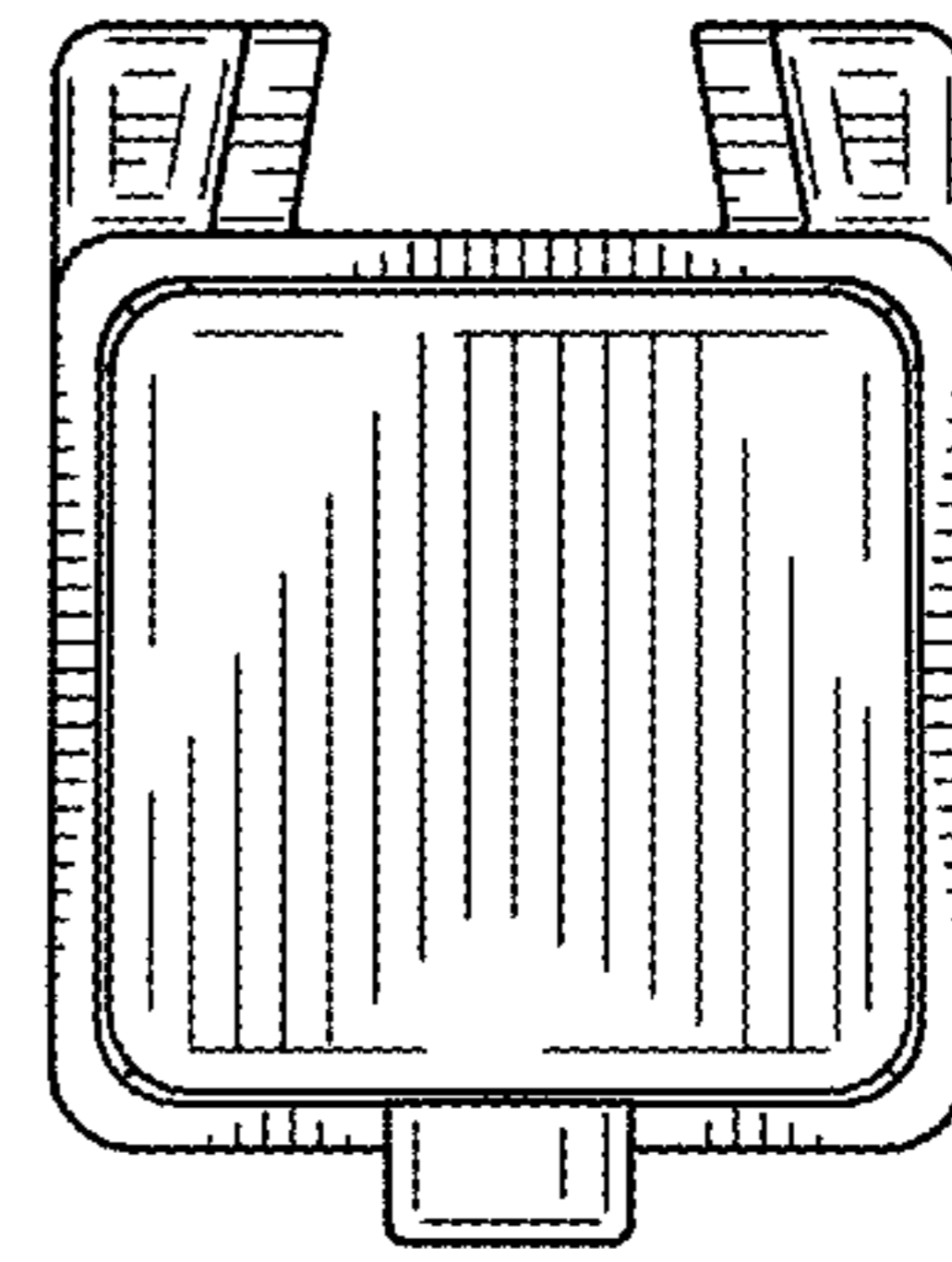


FIG. 6

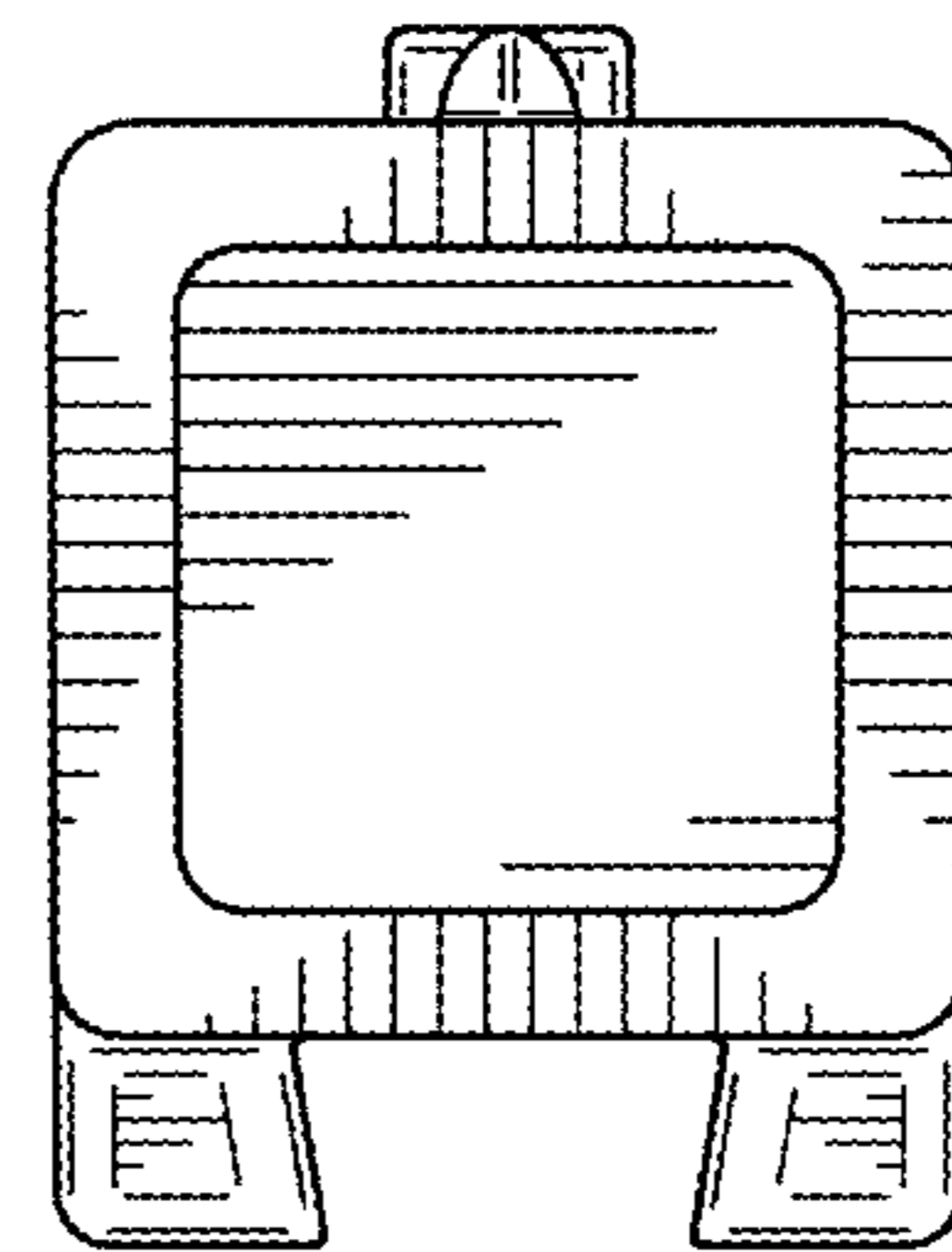
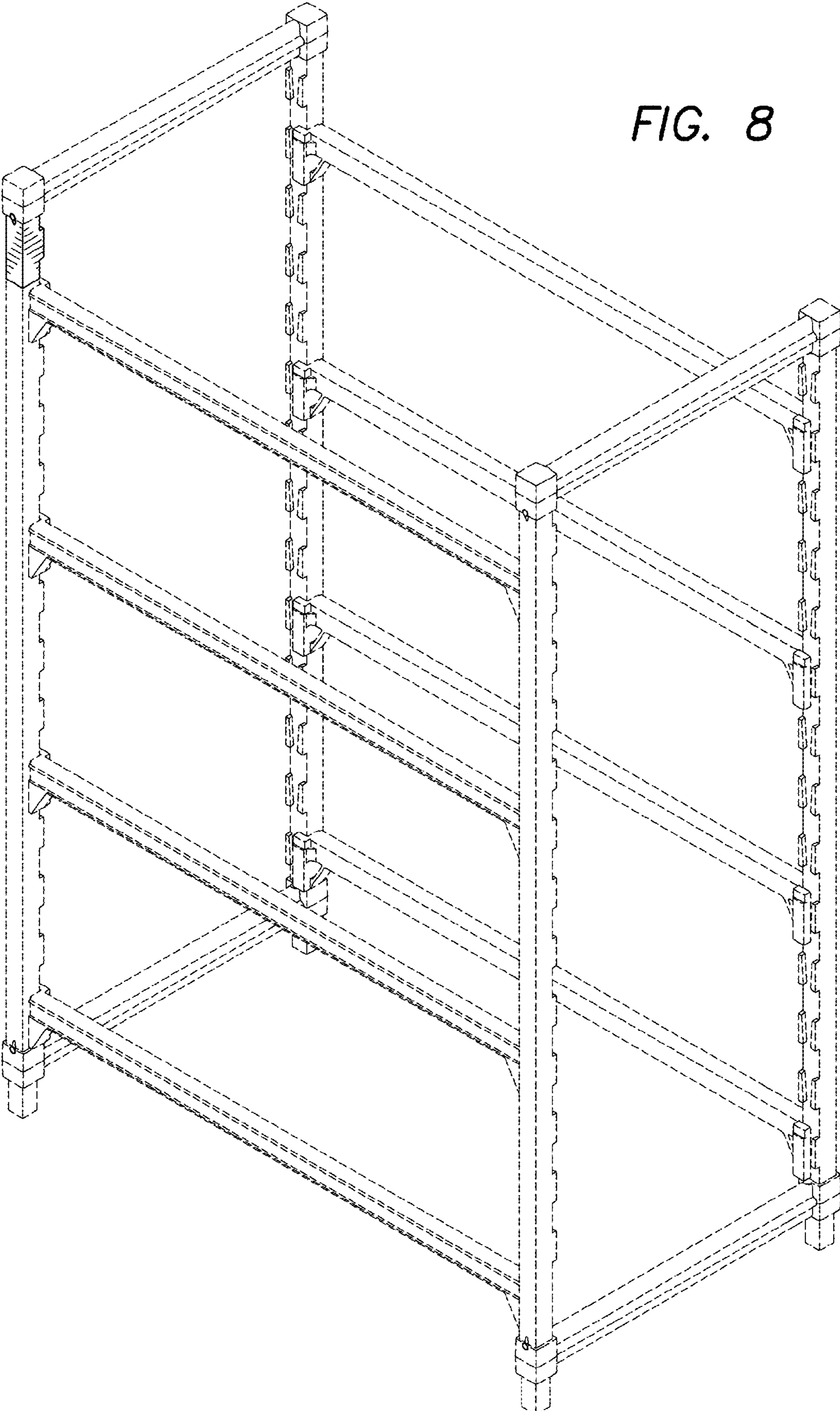


FIG. 7

FIG. 8



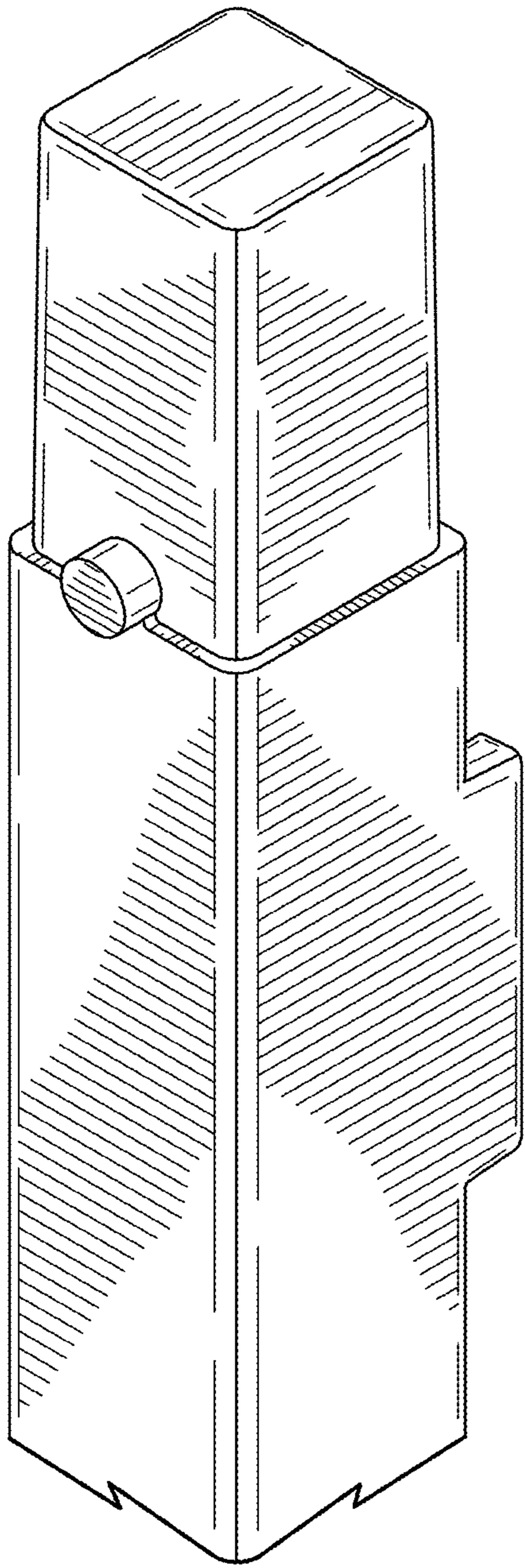


FIG. 9

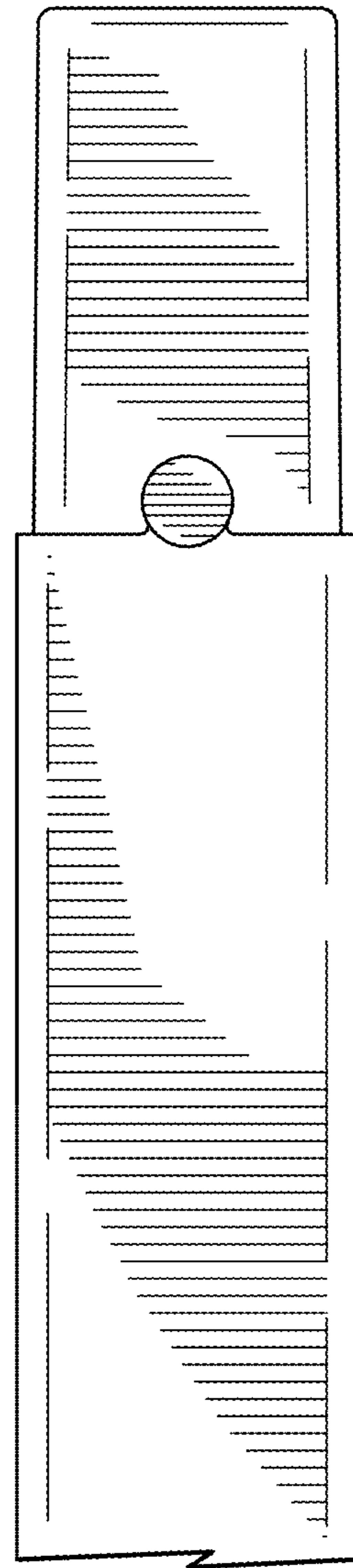


FIG. 10

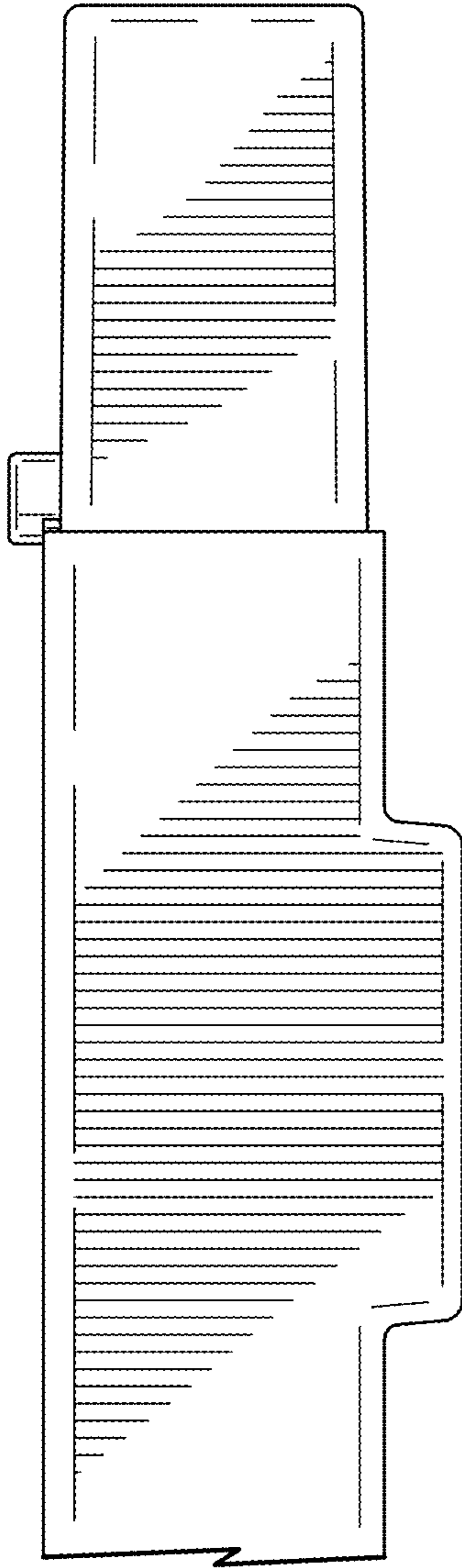


FIG. 11

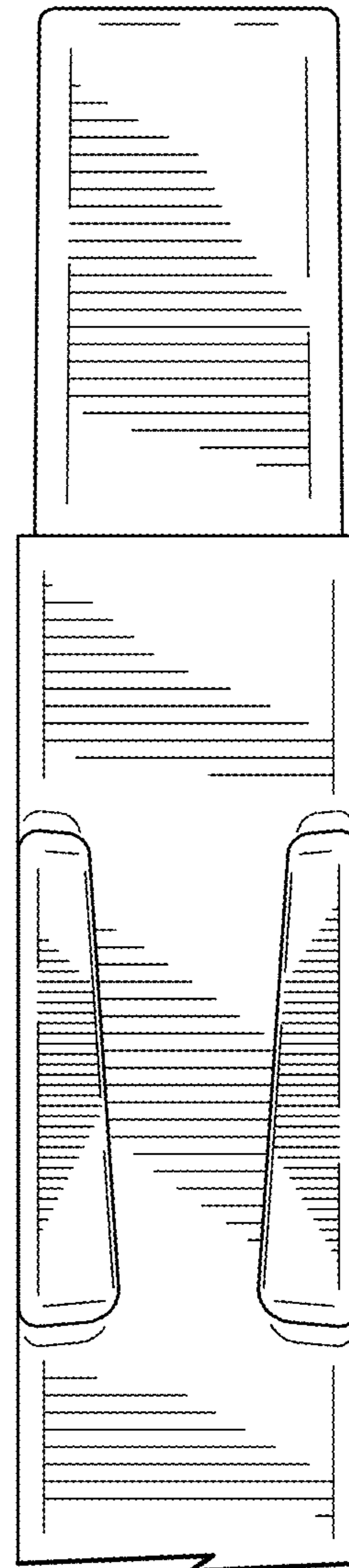


FIG. 12

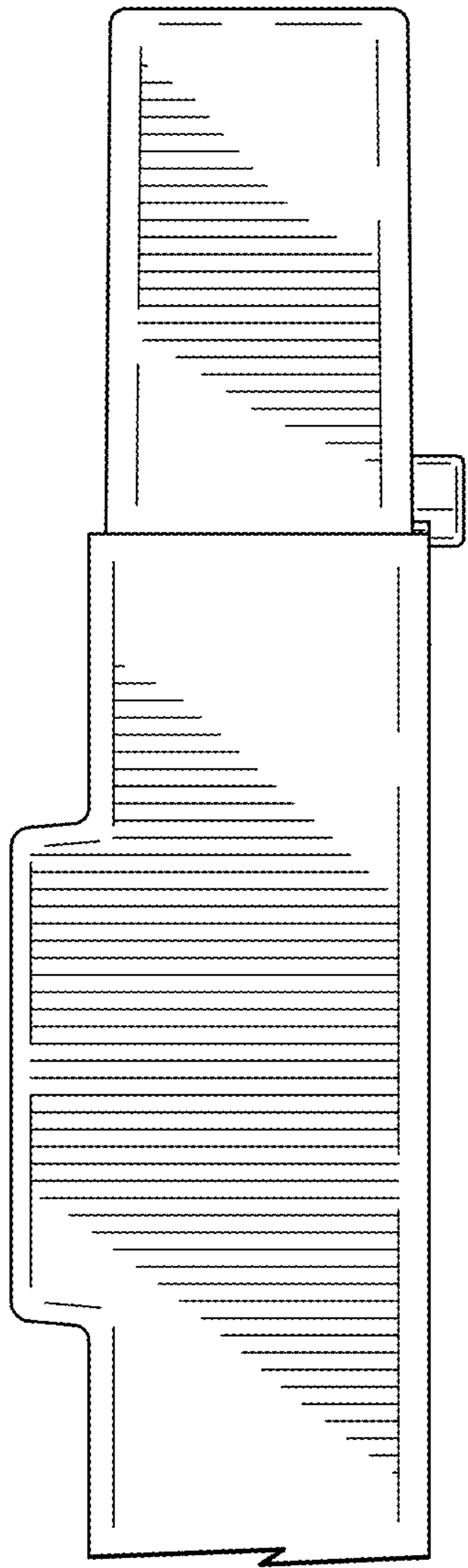


FIG. 13

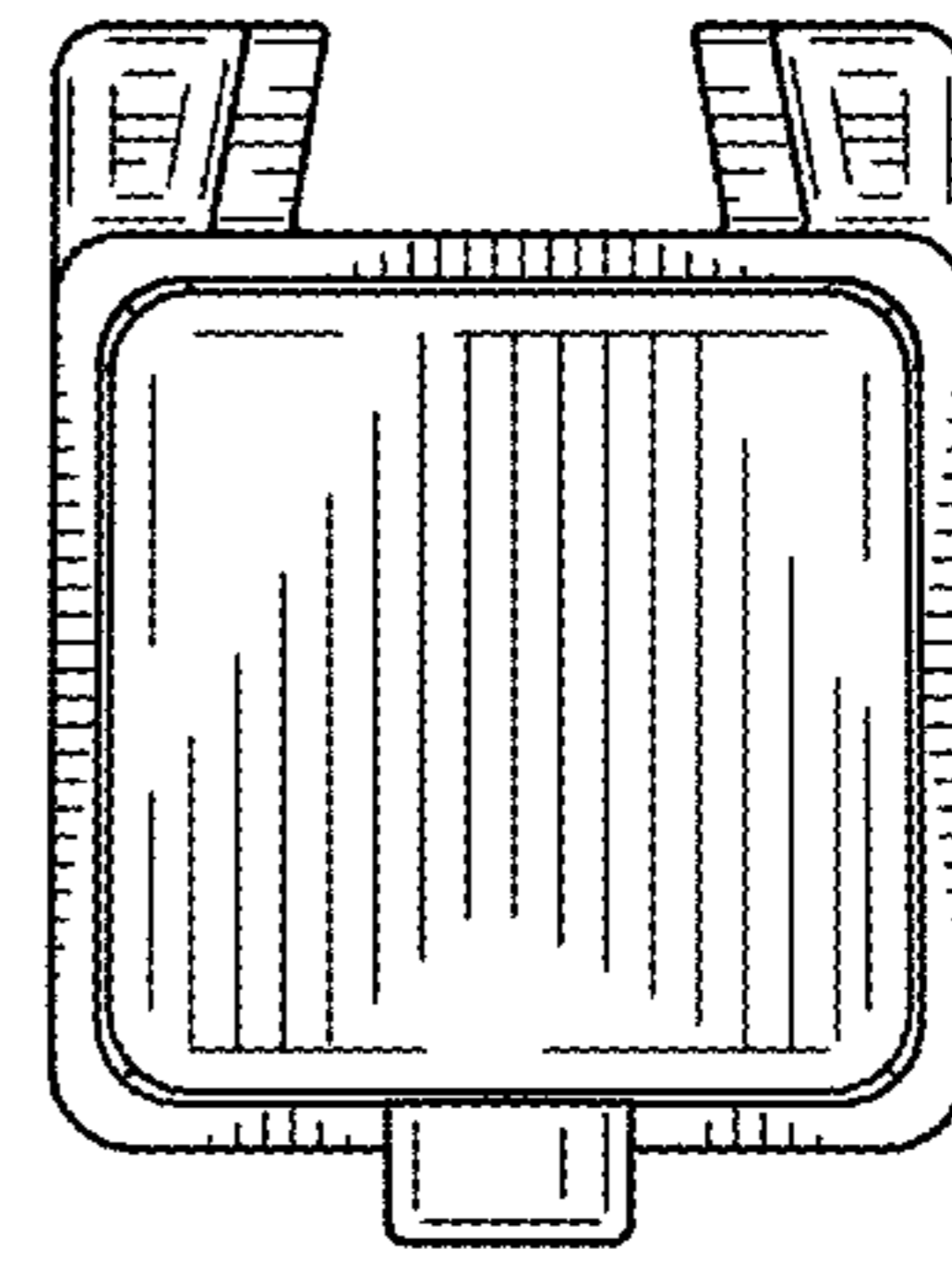


FIG. 14

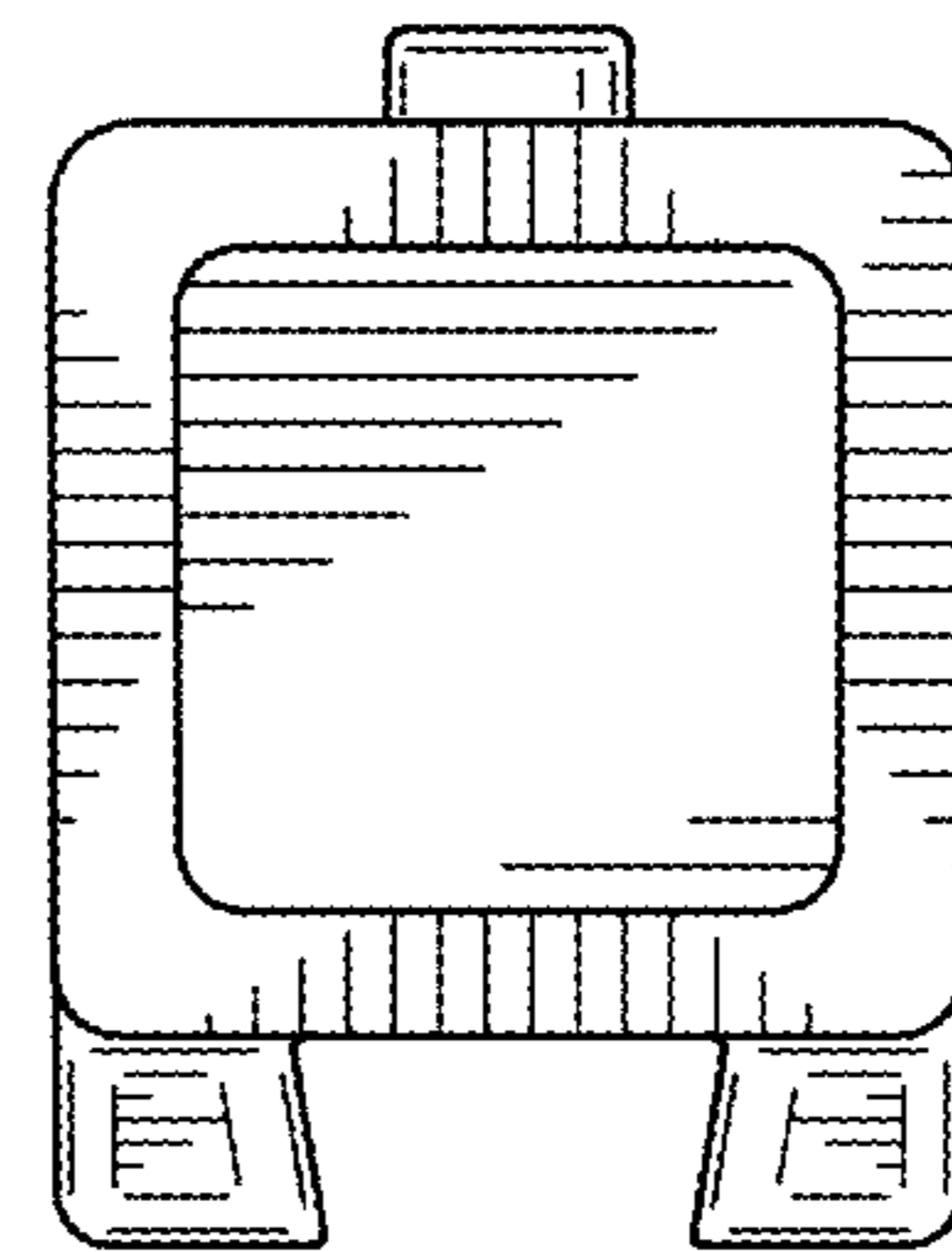


FIG. 15

FIG. 16

