



US00D914418S

(12) **United States Design Patent**  
**Kilburn**

(10) **Patent No.:** **US D914,418 S**

(45) **Date of Patent:** **\*\* Mar. 30, 2021**

- (54) **CABINET FRAME SYSTEM**
- (71) Applicant: **SWITCH BLADE DESIGN LLC**,  
Buskirk, NY (US)
- (72) Inventor: **Chris Kilburn**, Buskirk, NY (US)
- (73) Assignee: **Switch Blade Design LLC**, Buskirk,  
NY (US)
- (\*\*) Term: **15 Years**
- (21) Appl. No.: **29/680,367**
- (22) Filed: **Feb. 15, 2019**
- (51) **LOC (13) Cl.** ..... **06-06**
- (52) **U.S. Cl.**  
USPC ..... **D6/702**
- (58) **Field of Classification Search**  
USPC ..... D6/300, 310, 320, 329, 512, 513, 514,  
D6/515, 545, 567, 574, 641, 642, 661,  
D6/662.1, 663-691, 694, 702, 705, 705.2,  
D6/705.4, 705.5, 705.6, 705.7, 706,  
D6/708.16, 712, 719; D7/300, 301, 302,  
D7/303, 304, 305, 306, 307, 308, 309,  
D7/310, 311, 312, 313, 314, 315, 316,  
D7/317, 318, 319, 320, 321, 322, 396.1,  
D7/552.2, 600, 600.1, 600.4, 701; D8/71,  
D8/354, 363, 373, 374, 377, 381, 394;  
D3/201, 297, 304, 306; D20/44  
CPC ..... A47B 51/00; A47B 57/00; A47B 57/08;  
A47B 57/10; A47B 57/16; A47B 57/30;  
A47B 45/00; A47B 47/00; A47B 47/021;  
A47B 47/025; A47B 47/027; A47B  
87/00; A47B 87/008; A47B 87/02; A47B  
87/02; A47B 43/00; A47B 43/03; A47B  
43/04; A47B 88/00; A47B 88/40; A47B  
88/423; A47B 88/427; A47B 19/00; A47B  
31/00;

(Continued)

(56) **References Cited**

U.S. PATENT DOCUMENTS

1,714,909 A	5/1929	Illmer	
1,802,245 A *	4/1931	Foretich	..... A47B 57/10 108/186

(Continued)

FOREIGN PATENT DOCUMENTS

EP 1570765 B1 5/2008

OTHER PUBLICATIONS

International Search Report and Written Opinion dated Nov. 2, 2017 for PCT/US17/46463 filed Aug. 11, 2017 pp. 12.

*Primary Examiner* — Michael A. Pratt

*Assistant Examiner* — Adam C Mager

(74) *Attorney, Agent, or Firm* — Hoffman Warnick LLC

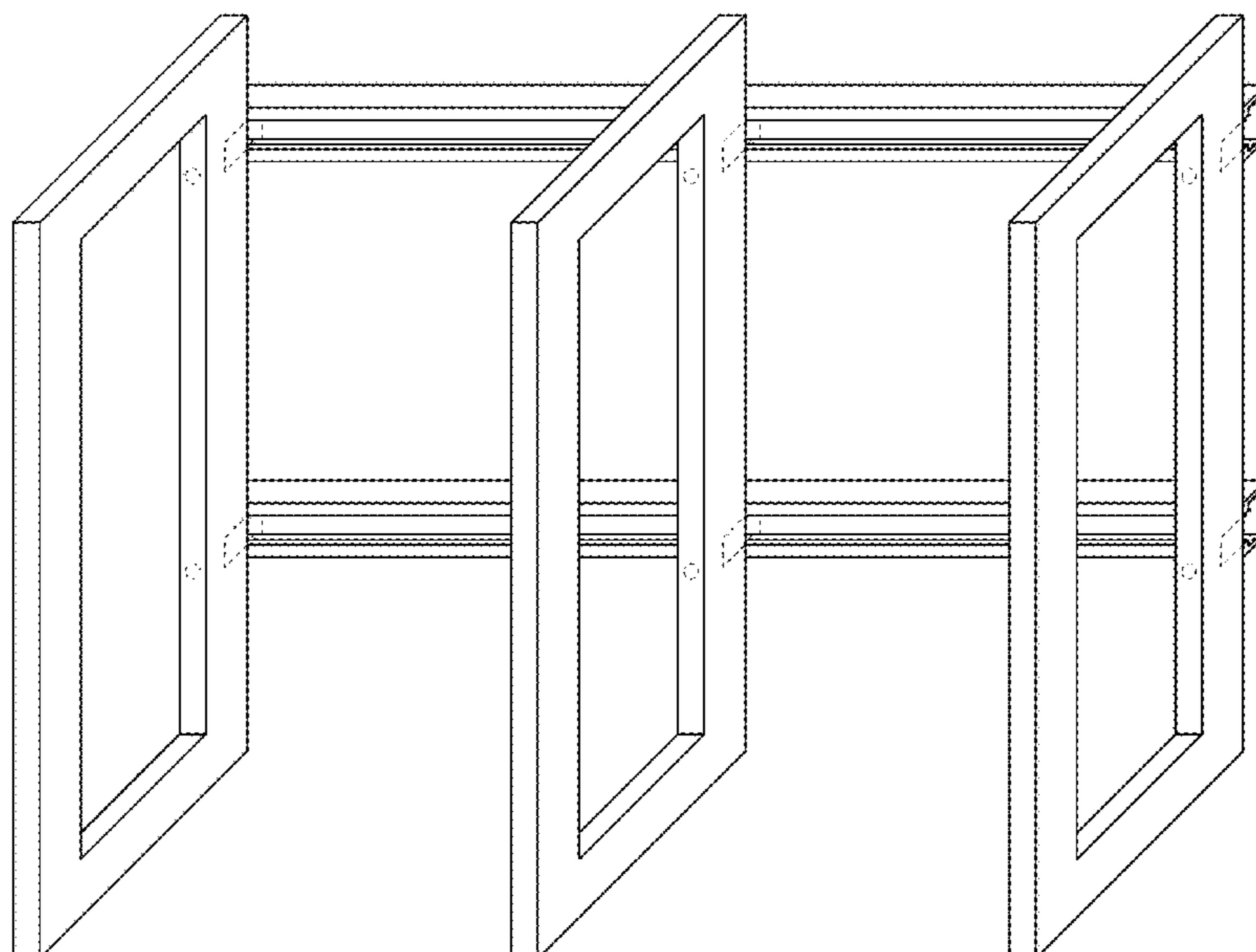
(57) **CLAIM**

The design for a cabinet frame system, as shown and described.

**DESCRIPTION**

FIG. 1 is a front perspective view of a first embodiment of a cabinet frame system;  
 FIG. 2 is front view of the cabinet frame system of FIG. 1;  
 FIG. 3 is a rear view of the cabinet frame system of FIG. 1;  
 FIG. 4 is a top view of the cabinet frame system of FIG. 1;  
 FIG. 5 is a side view of the cabinet frame system of FIG. 1;  
 FIG. 6 is a front perspective view of the cabinet frame system of FIG. 1;  
 FIG. 7 is a front perspective view of the second embodiment of the cabinet frame system; and,  
 FIG. 8 is another front perspective view of the second embodiment of the cabinet frame system.  
 The broken lines showing of the cabinet frame system is for the purpose of illustrating portions of the article and forms no part of the claimed design.

**1 Claim, 8 Drawing Sheets**



# US D914,418 S

Page 2

(58) **Field of Classification Search**

CPC ..... A47B 2031/002; A47B 2031/003; A47B  
2031/008; A47B 63/00; A47B 61/02;  
A47F 1/00; A47F 1/04; A47F 1/12; A47F  
3/00; A47F 3/02; A47F 3/0439; A47F  
5/00; A47F 5/00; A47F 5/0018; A47F  
5/0043; A47F 10/02

See application file for complete search history.

(56)

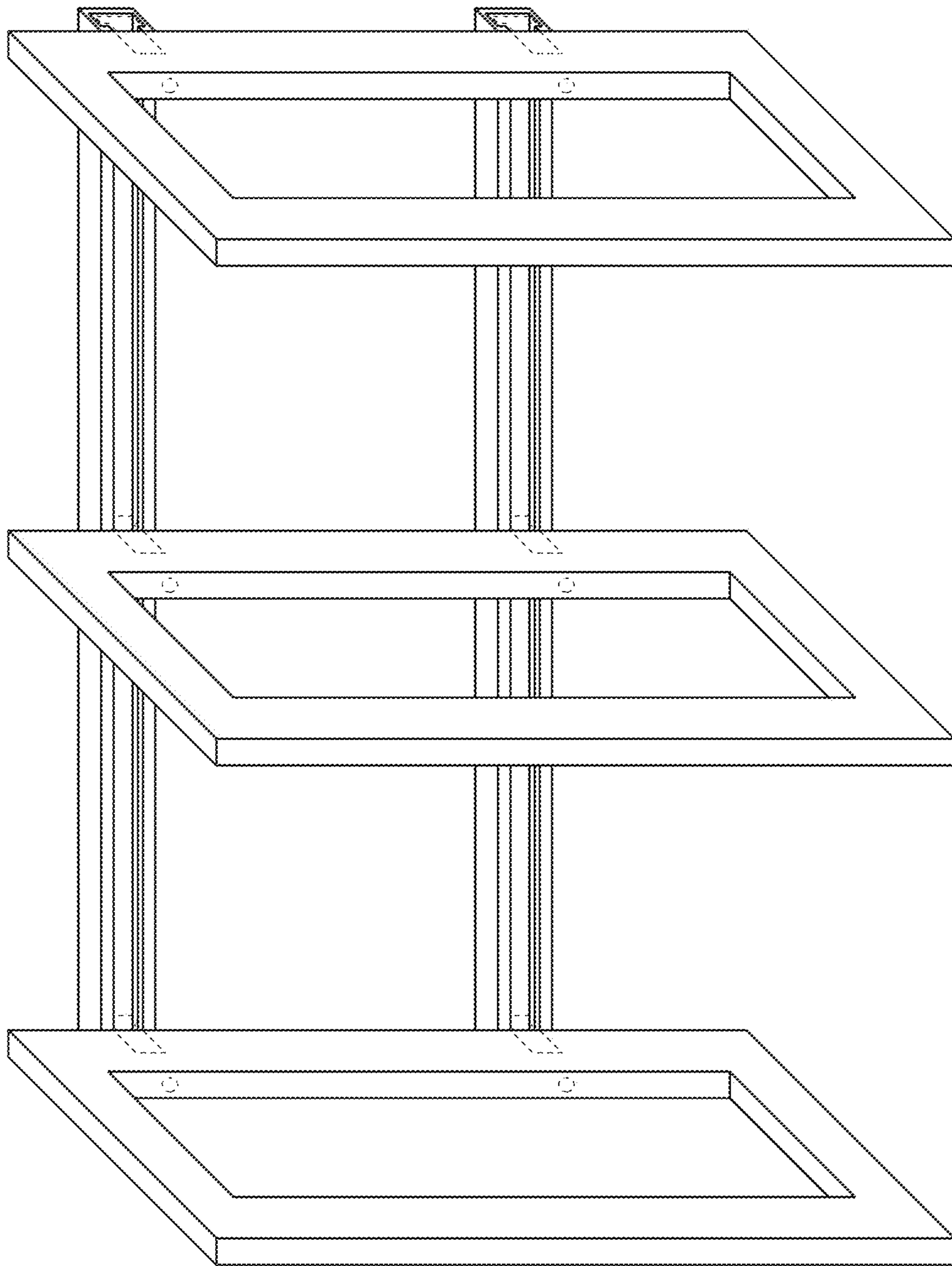
**References Cited**

U.S. PATENT DOCUMENTS

3,484,810 A \* 12/1969 Boss ..... A47B 57/425  
108/152  
3,950,049 A 4/1976 Drass  
4,329,003 A 5/1982 Manchester  
4,457,436 A 7/1984 Kelley  
5,050,832 A 9/1991 Lee et al.  
5,104,080 A \* 4/1992 Berger ..... A47J 37/0786  
108/152  
5,152,593 A 10/1992 Domenig  
5,564,809 A \* 10/1996 Kane ..... A47B 57/16  
211/193

5,718,493 A 2/1998 Nikolai  
5,799,588 A \* 9/1998 Engel ..... A47B 57/06  
108/108  
5,964,438 A 10/1999 Camilleri  
7,228,977 B2 6/2007 Perkins et al.  
D564,797 S \* 3/2008 Yamaguchi ..... D6/675.3  
8,684,195 B1 4/2014 Caruso  
9,098,823 B2 \* 8/2015 Slesinger ..... A47B 96/021  
10,104,959 B2 \* 10/2018 Nilsson ..... A47F 5/103  
10,130,196 B2 \* 11/2018 Burns ..... A47B 96/021  
10,139,038 B2 \* 11/2018 Kohshima ..... F16M 11/24  
10,271,652 B2 \* 4/2019 Kilburn ..... A47B 96/067  
2008/0224579 A1 9/2008 Juten  
2009/0152217 A1 \* 6/2009 Gmerek ..... A47B 95/008  
211/27  
2010/0140202 A1 \* 6/2010 Janis ..... A47B 57/34  
211/183  
2011/0147551 A1 6/2011 Richard et al.  
2011/0309731 A1 7/2011 Hardy et al.  
2011/0169386 A1 12/2011 Lindvall  
2013/0180202 A1 7/2013 Woods et al.  
2016/0351538 A1 12/2016 Hagiwara et al.  
2017/0340142 A1 11/2017 Gonzalez et al.

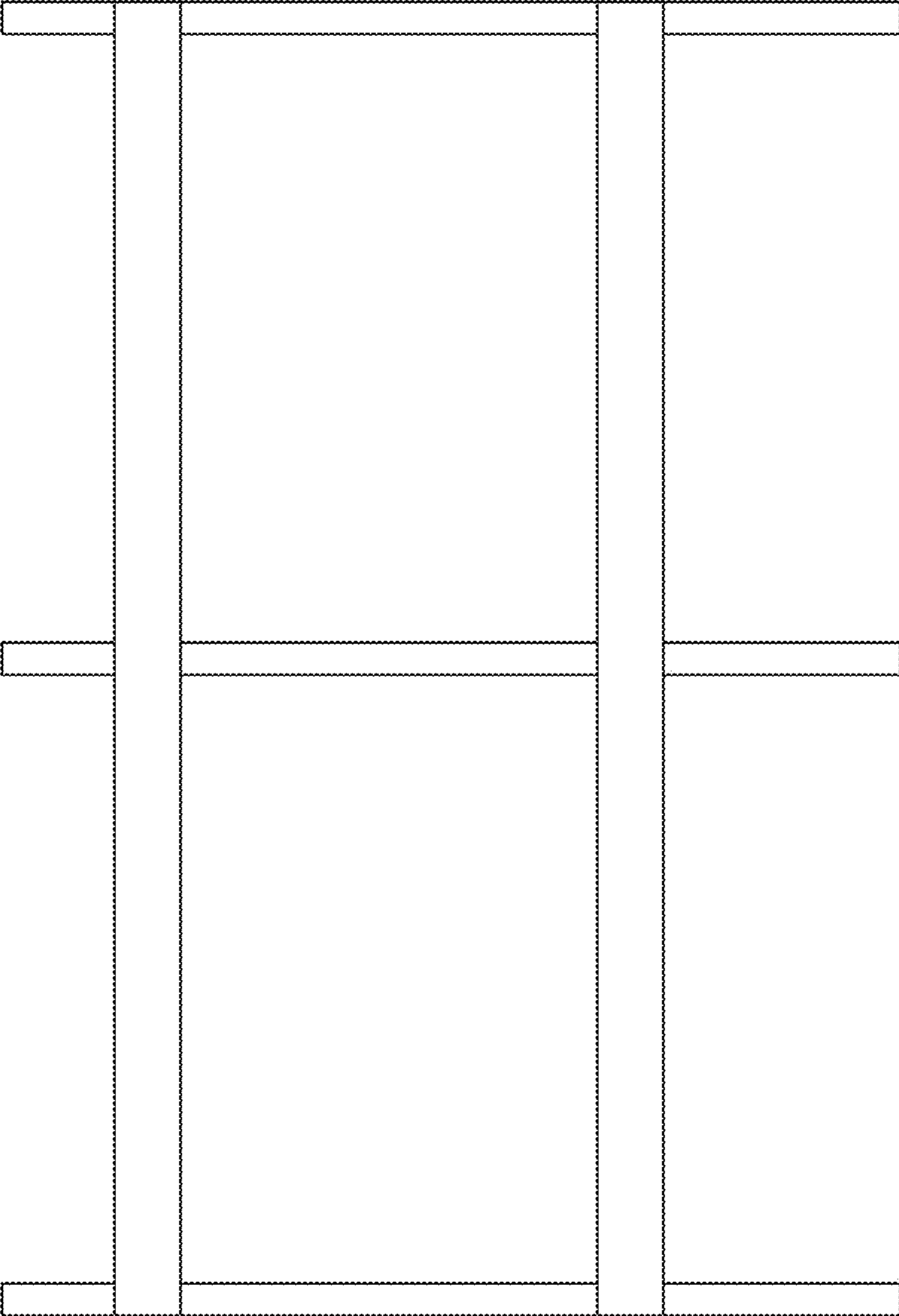
\* cited by examiner



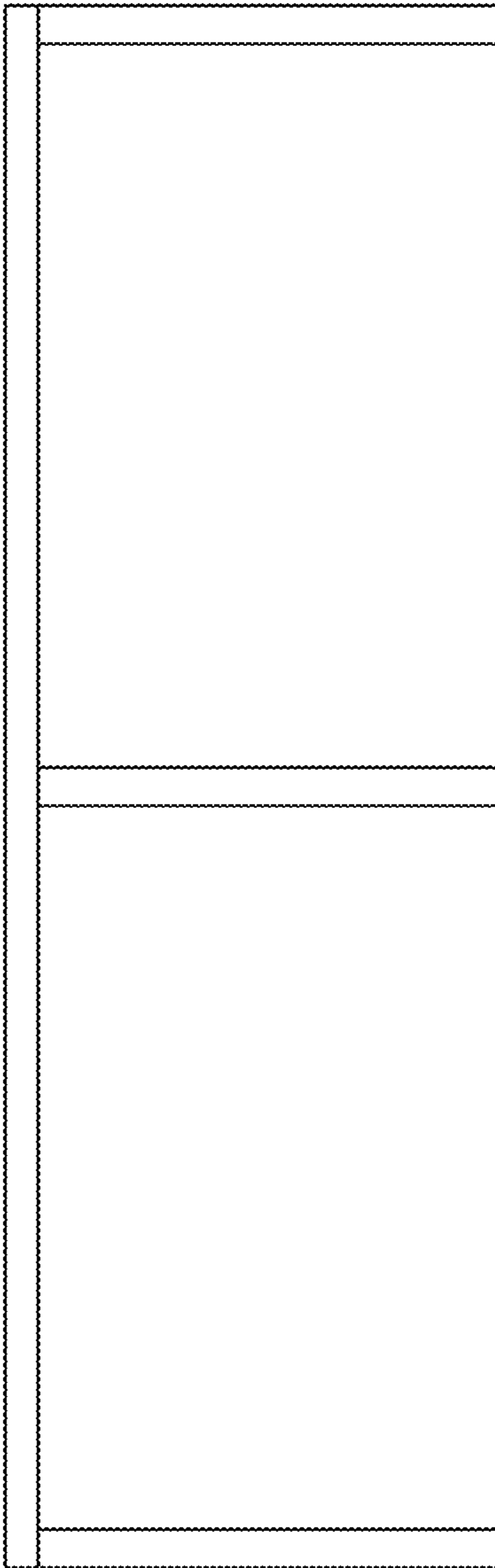
**FIG. 1**



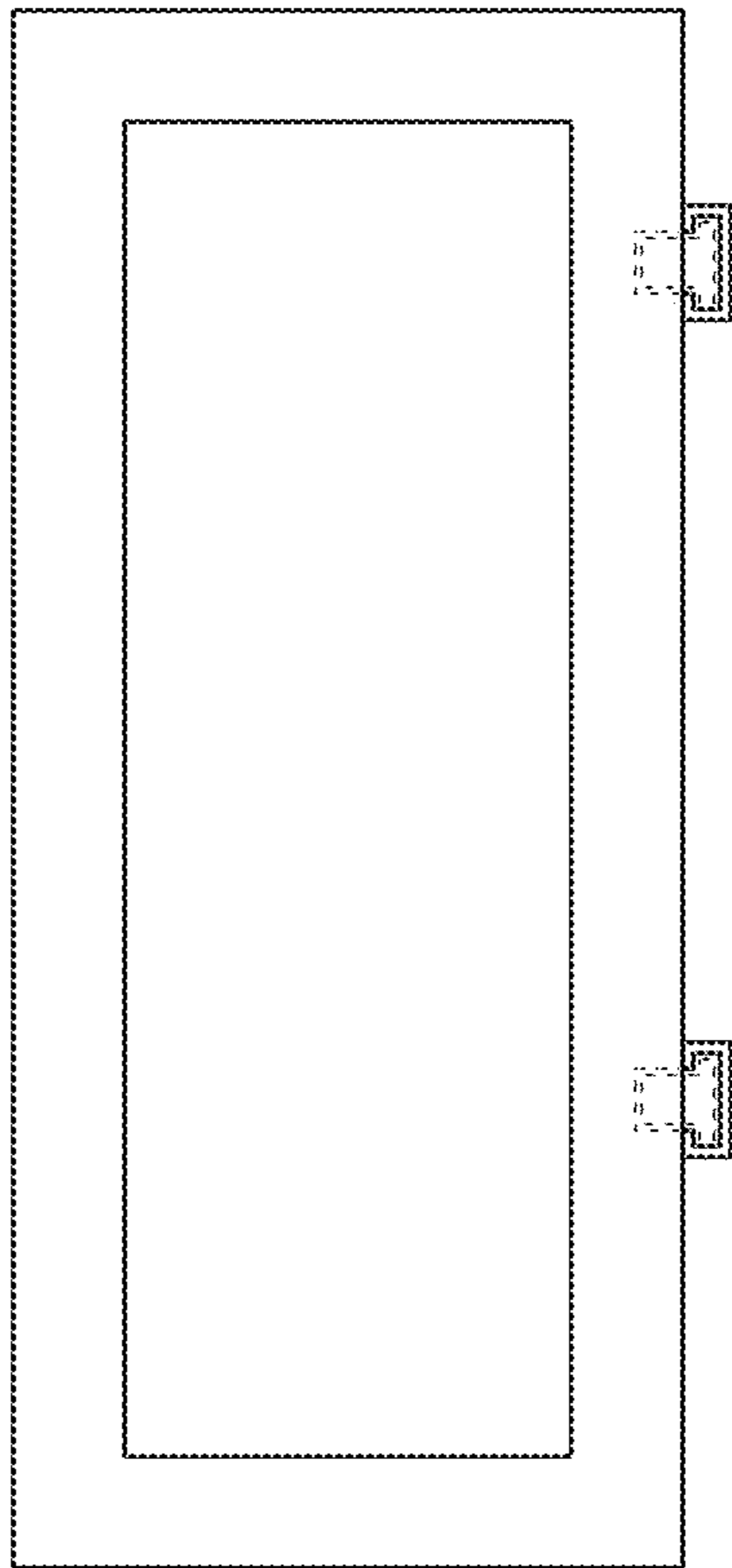
**FIG. 2**



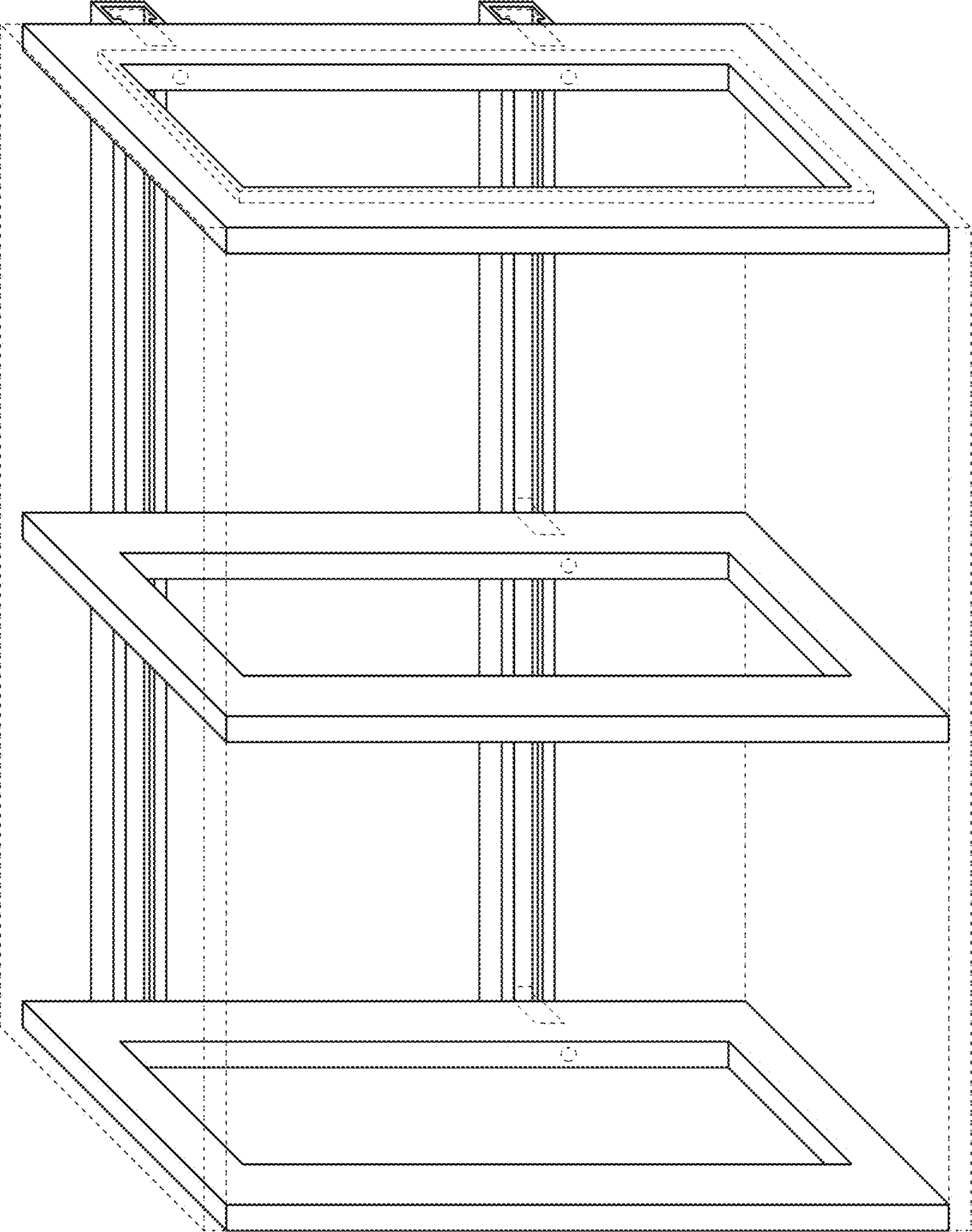
**FIG. 3**



**FIG. 4**

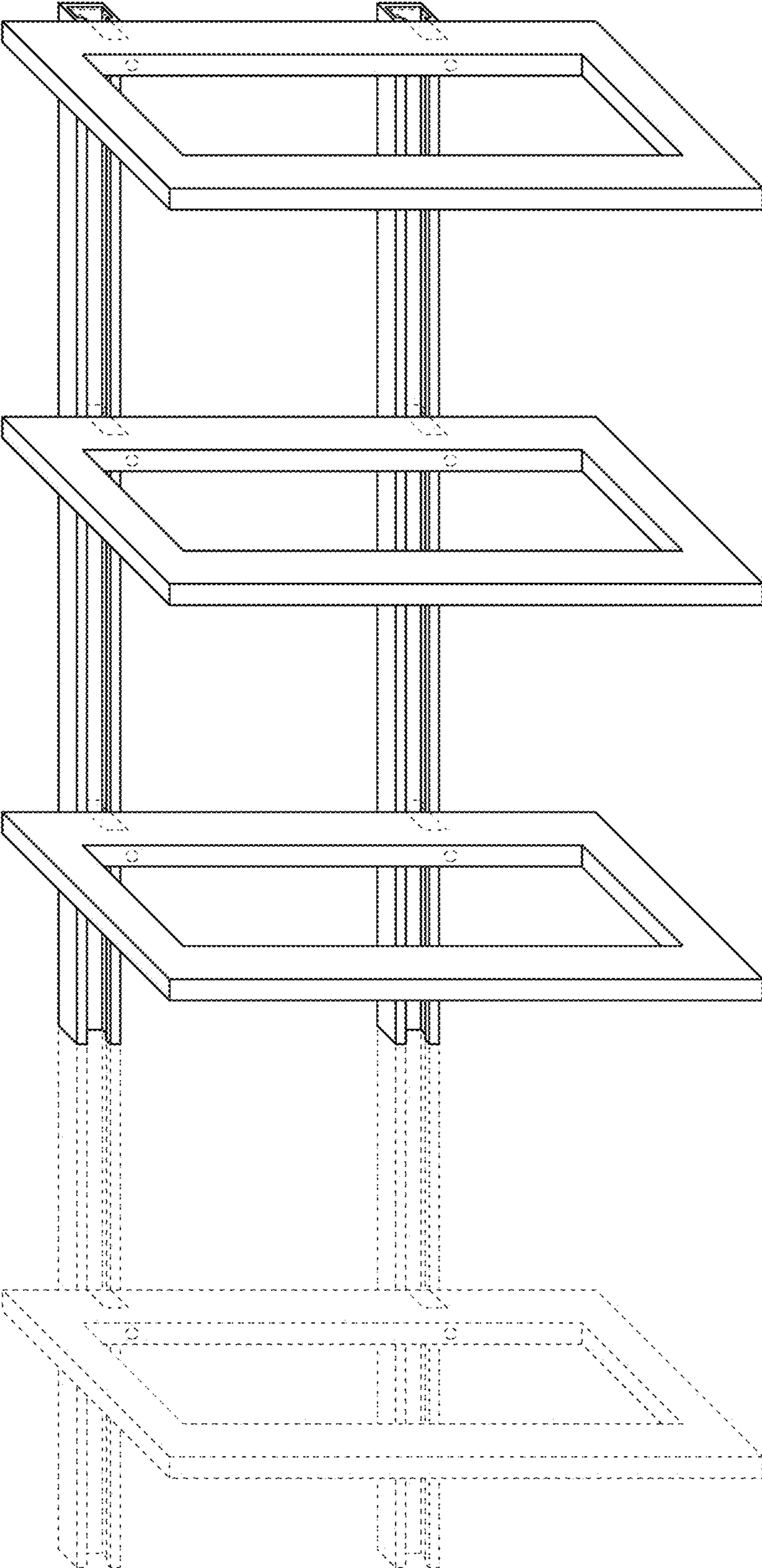


***FIG. 5***

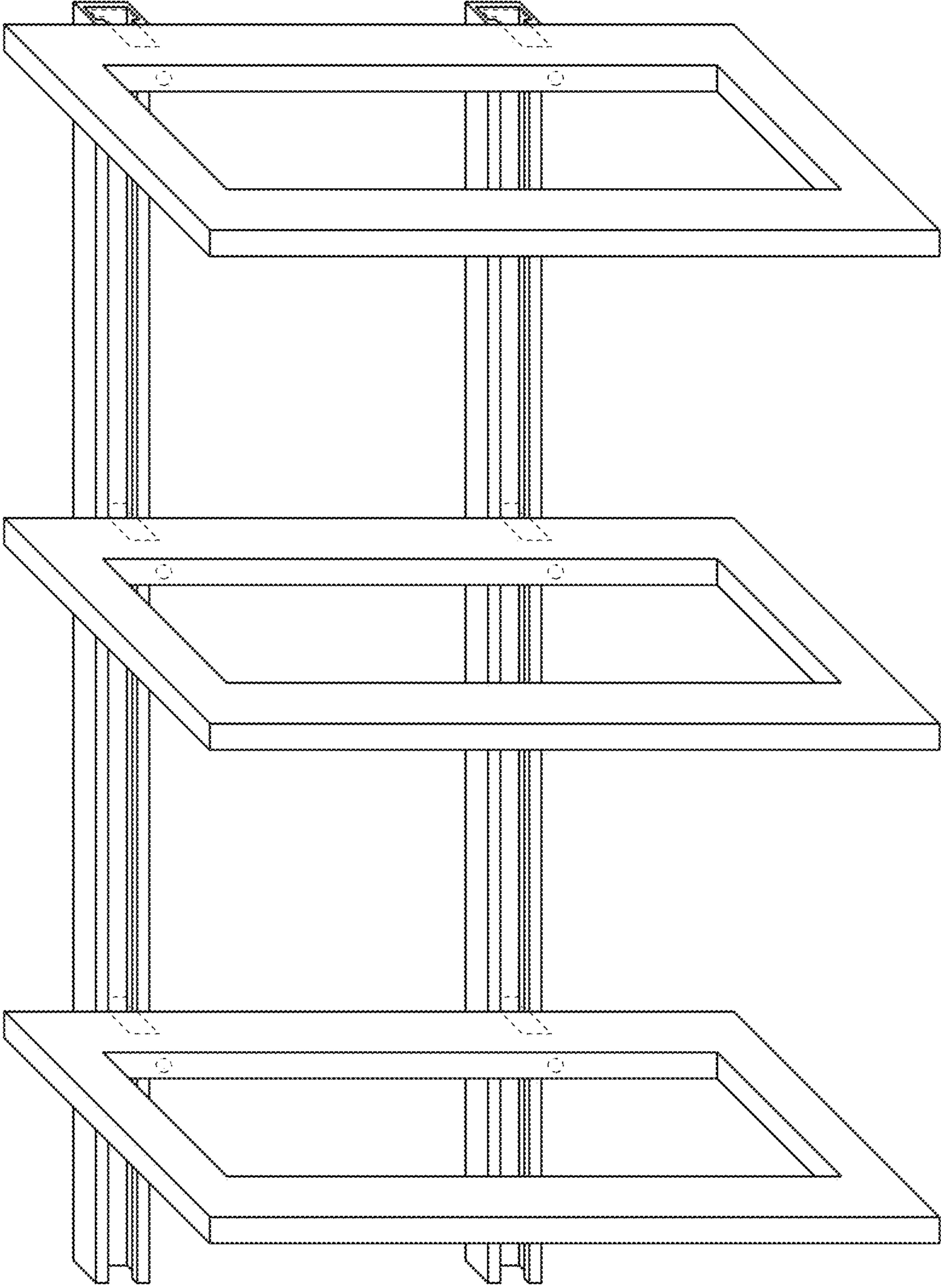


**FIG. 6**





**FIG. 7**



**FIG. 8**