



US00D914417S

(12) **United States Design Patent**  
**Massaud**

(10) **Patent No.:** **US D914,417 S**  
(45) **Date of Patent:** **\*\* Mar. 30, 2021**

(54) **COFFEE TABLE**

13/024; A47B 21/00; A47B 2200/0001;  
A47B 2200/0011; A47B 2200/002

See application file for complete search history.

(71) Applicant: **ARPER S.P.A.**, Monastier di Treviso  
(IT)

(56) **References Cited**

(72) Inventor: **Jean-Marie Massaud**, Monastier di  
Treviso (IT)

U.S. PATENT DOCUMENTS

(73) Assignee: **ARPER S.p.A.**, Monastier di Treviso  
(IT)

66,813 A *	7/1867	Doty	.....	A47B 3/00
				108/115
2,582,791 A *	1/1952	Page	.....	A47B 9/16
				108/138
2,977,169 A *	3/1961	Geller	.....	A47B 9/16
				108/19
D247,402 S *	3/1978	Cohen	.....	D6/680.3
D560,082 S *	1/2008	Theemann	.....	D6/692.6
D683,556 S *	6/2013	Stromborg	.....	A47B 3/00
				D6/708
D793,134 S *	8/2017	Nigro	.....	A47B 9/16
				D6/692

(\*\*) Term: **15 Years**

(21) Appl. No.: **35/507,930**

(22) Filed: **Sep. 13, 2019**

(80) **Hague Agreement Data**

Int. Filing Date: **Sep. 13, 2019**

Int. Reg. No.: **DM/204291**

Int. Reg. Date: **Sep. 13, 2019**

Int. Reg. Pub. Date: **Nov. 29, 2019**

(30) **Foreign Application Priority Data**

Mar. 29, 2019 (WO) ..... WIPO82094

(51) **LOC (13) Cl.** ..... **06-03**

(52) **U.S. Cl.**

USPC ..... **D6/692.6; D6/692.4**

(58) **Field of Classification Search**

USPC ..... D6/349, 641, 642, 685, 686, 690, 692,  
D6/692.1-692.6

CPC .. A47B 7/00; A47B 9/00; A47B 13/00; A47B  
13/003; A47B 13/02; A47B 13/023; A47B  
13/04; A47B 13/06; A47B 13/12; A47B

OTHER PUBLICATIONS

Japanese Patent Office Action of JP Application No. 2019-500980  
dated Jun. 18, 2020.

\* cited by examiner

*Primary Examiner* — Mary Ann Calabrese  
(74) *Attorney, Agent, or Firm* — Thomas | Horstemeyer,  
LLP

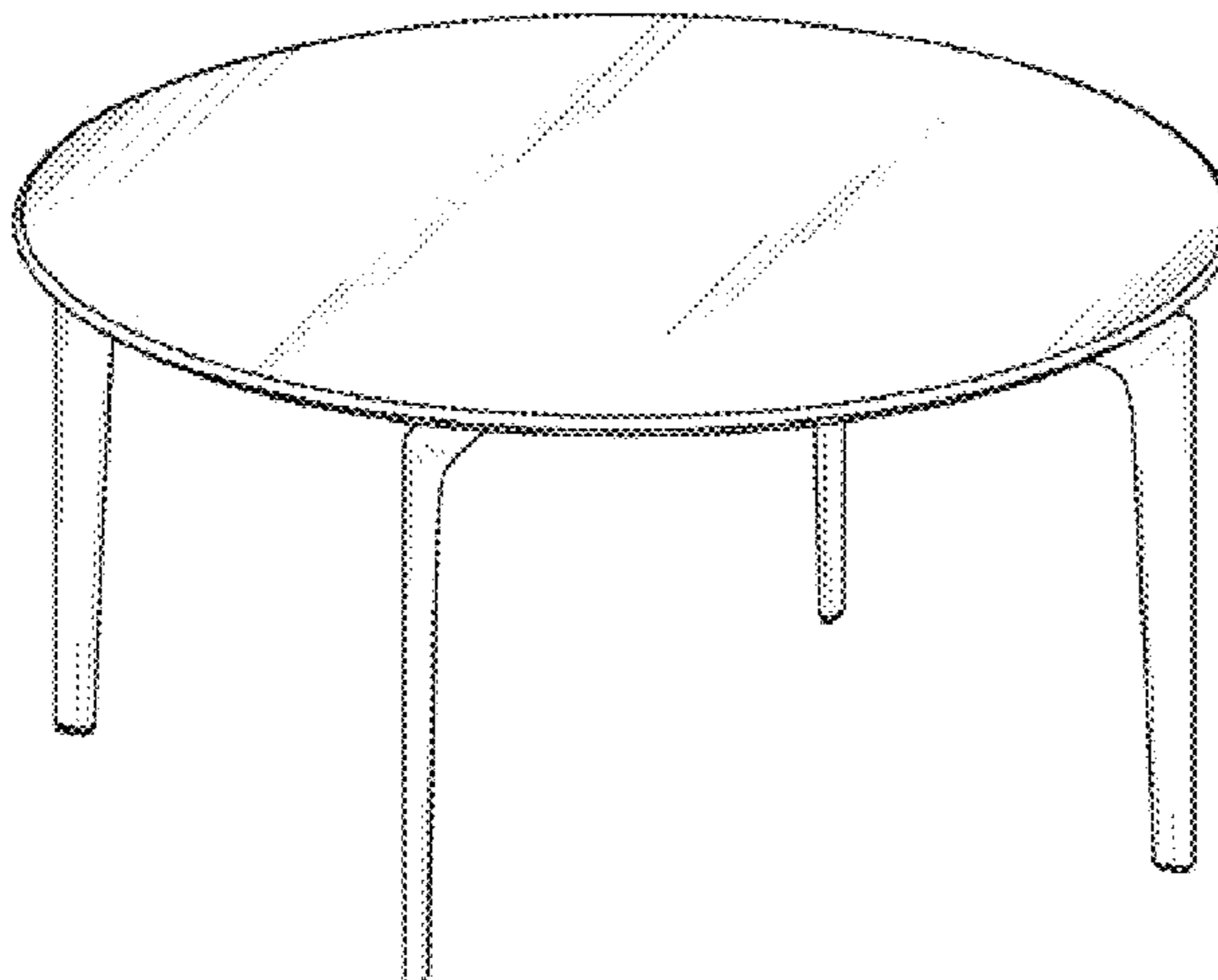
(57) **CLAIM**

The ornamental design for a coffee table, as shown and  
described.

**DESCRIPTION**

**1.1** is a front perspective view of a coffee table, showing my  
new design;  
**1.2** is a side view thereof;  
**1.3** is a top view thereof; and  
**1.4** is a bottom view thereof.

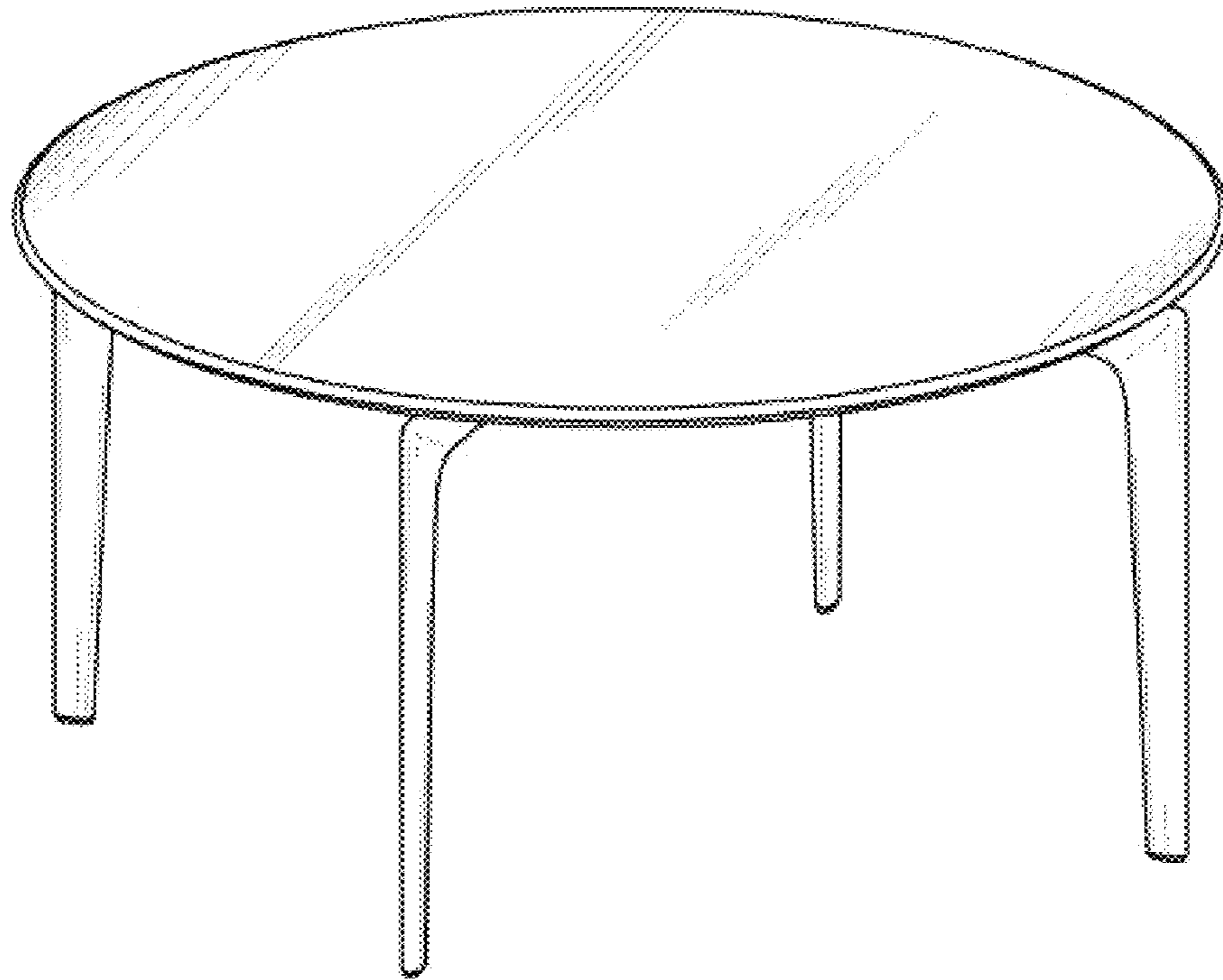
(Continued)



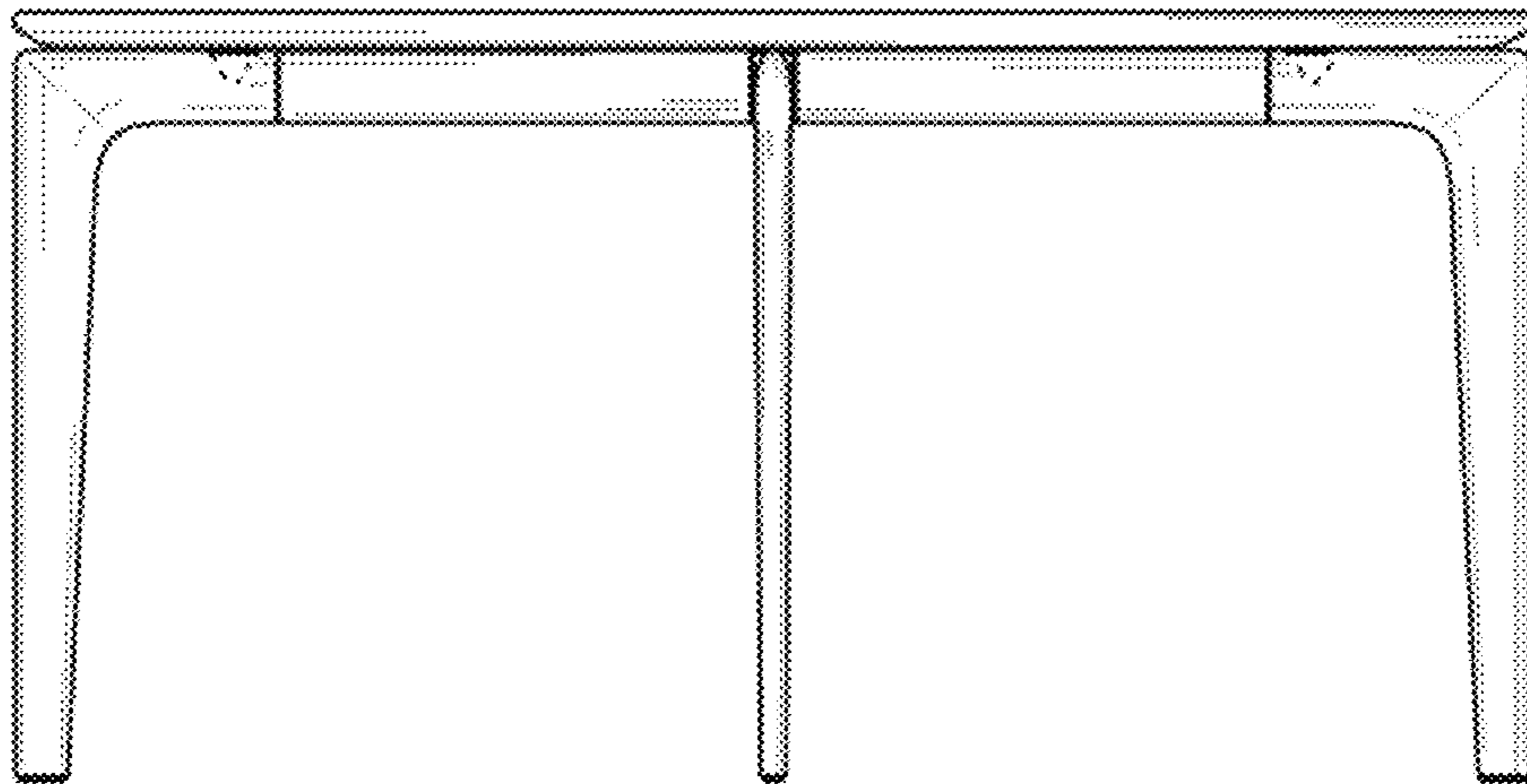
The broken lines shown in the drawing of the coffee table are for the purpose of illustrating the environment and form no part of the claimed design.

**1 Claim, 4 Drawing Sheets**

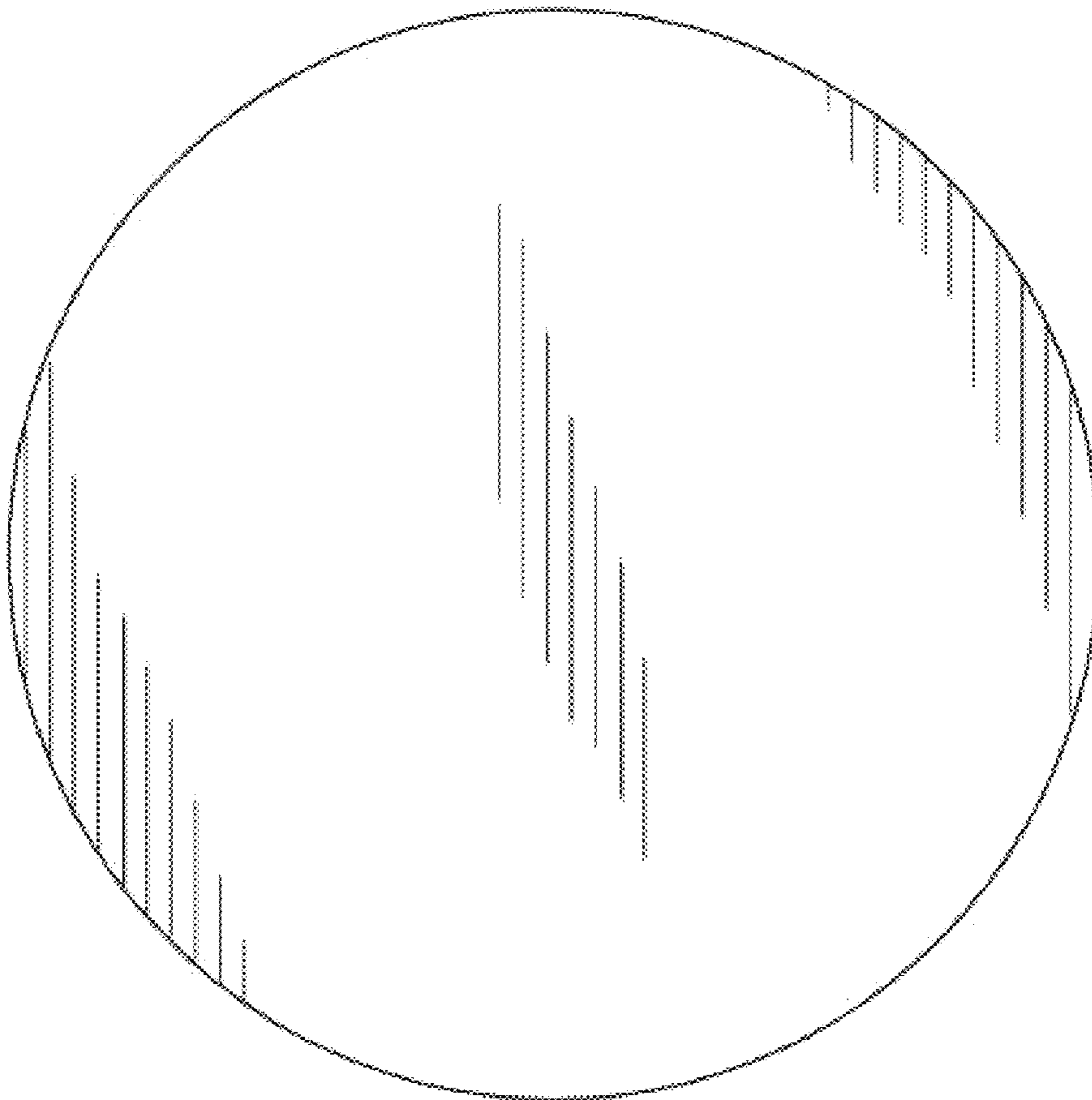
1.1



1.2



1.3



1.4

