



US00D914416S

(12) **United States Design Patent** (10) **Patent No.:** **US D914,416 S**  
**Massaud** (45) **Date of Patent:** **\*\* Mar. 30, 2021**

(54) **COFFEE TABLE**

(71) Applicant: **ARPER S.P.A.**, Monastier di Treviso (IT)

(72) Inventor: **Jean-Marie Massaud**, Monastier di Treviso (IT)

(73) Assignee: **ARPER S.p.A.**, Monastier di Treviso (IT)

(\*\*) Term: **15 Years**

(21) Appl. No.: **35/507,942**

(22) Filed: **Sep. 13, 2019**

(80) **Hague Agreement Data**

Int. Filing Date: **Sep. 13, 2019**

Int. Reg. No.: **DM/204292**

Int. Reg. Date: **Sep. 13, 2019**

Int. Reg. Pub. Date: **Nov. 29, 2019**

(30) **Foreign Application Priority Data**

Mar. 29, 2019 (WO) ..... DM/201035

(51) **LOC (13) Cl.** ..... **06-03**

(52) **U.S. Cl.**  
USPC ..... **D6/691.8; D6/691.4**

(58) **Field of Classification Search**  
USPC ..... D6/349, 641, 642, 685, 686, 691, D6/691.1-691.9  
CPC ..... A47B 7/00; A47B 13/00; A47B 13/02; A47B 13/04; A47B 13/06; A47B 13/05; A47B 13/012; A47B 21/00; A47B 2200/0001; A47B 2200/001; A47B 2200/0011; A47B 2200/002

See application file for complete search history.

(56) **References Cited**

U.S. PATENT DOCUMENTS

3,000,679	A *	9/1961	Silverman .....	A47B 13/06 248/167
D278,577	S *	4/1985	Gwathmey .....	D6/691.8
D376,712	S *	12/1996	Mezger .....	D6/656
D508,625	S *	8/2005	Frenkler .....	D6/647
D685,216	S *	7/2013	Stromborg .....	A47B 3/002 D6/708
D752,909	S *	4/2016	Pengelly .....	D6/707.19
D792,136	S *	7/2017	High .....	D6/691.6
D837,578	S *	1/2019	Rundle .....	D6/686
D851,432	S *	6/2019	Salto .....	D6/691
2019/0090625	A1 *	3/2019	Rundle .....	A47B 3/002

OTHER PUBLICATIONS

Japanese Patent Office Action of JP Application No. 2019-500980 dated Jun. 18, 2020.

\* cited by examiner

*Primary Examiner* — Mary Ann Calabrese  
(74) *Attorney, Agent, or Firm* — Thomas I Horstemeyer, LLP

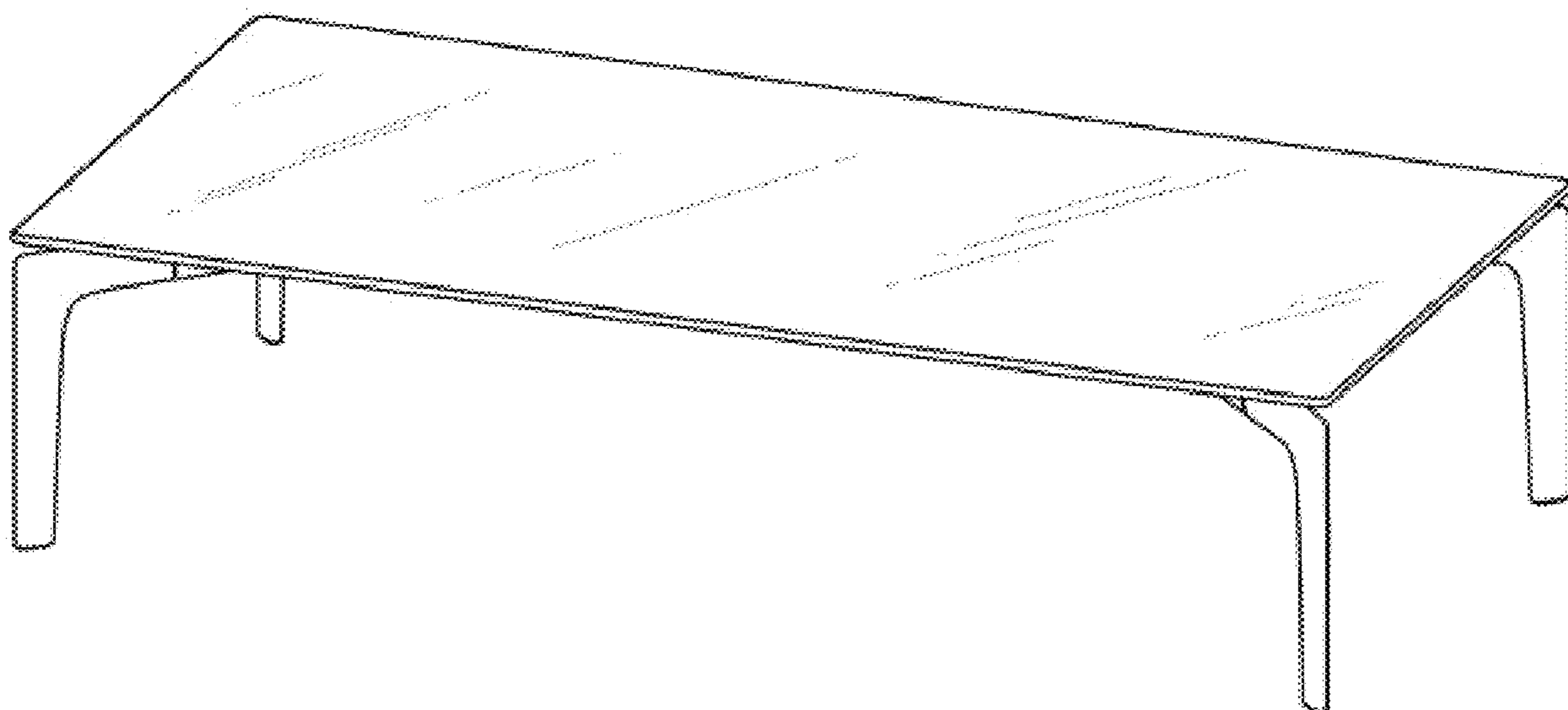
(57) **CLAIM**

The ornamental design for a coffee table, as shown and described.

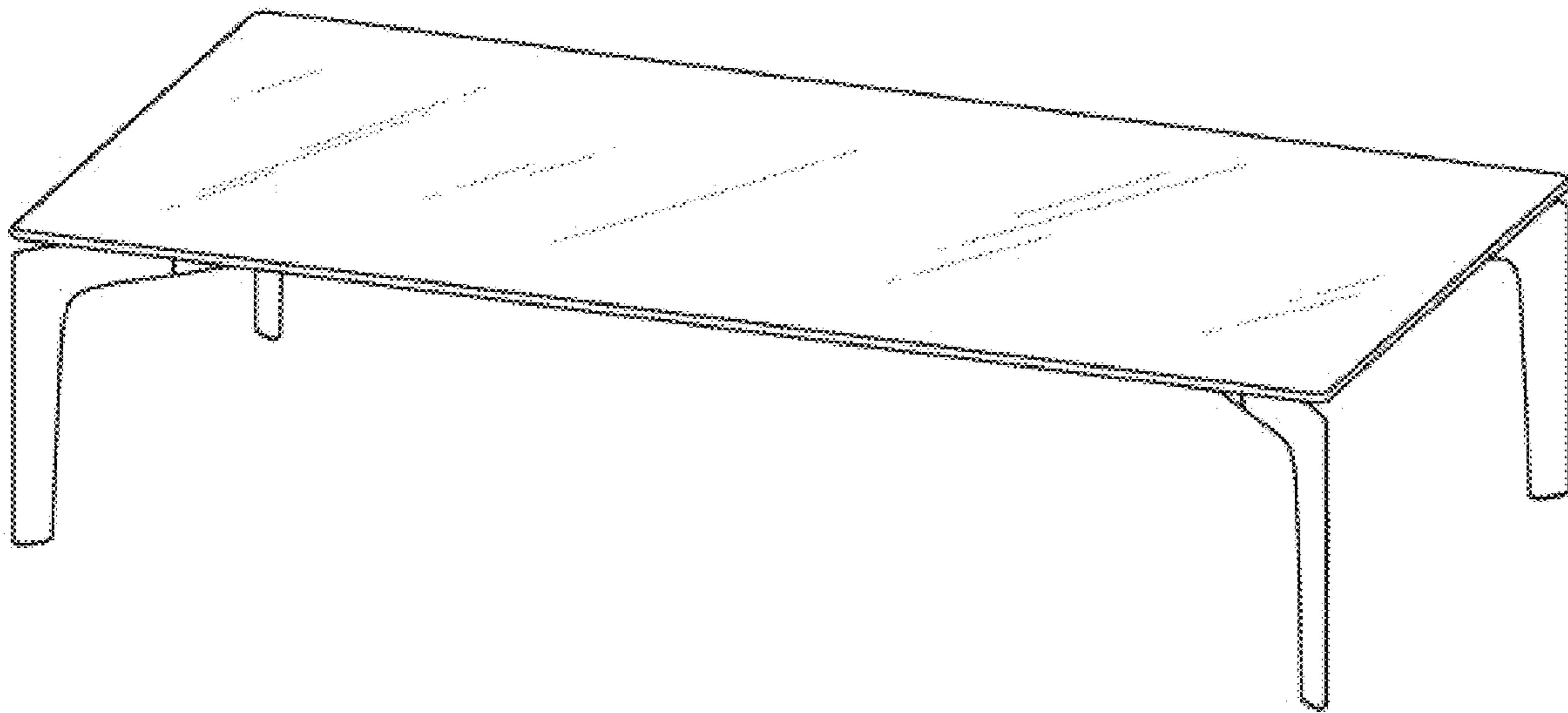
**DESCRIPTION**

**1.1** is a front perspective view of a coffee table, showing my new design;  
**1.2** is a left view thereof, the right view being a mirror image thereof;  
**1.3** is a front view thereof;  
**1.4** is a top view thereof; and  
**1.5** is a bottom view thereof.  
The broken lines shown in the drawing of the coffee table are for the purpose of illustrating the environment and form no part of the claimed design.

**1 Claim, 5 Drawing Sheets**



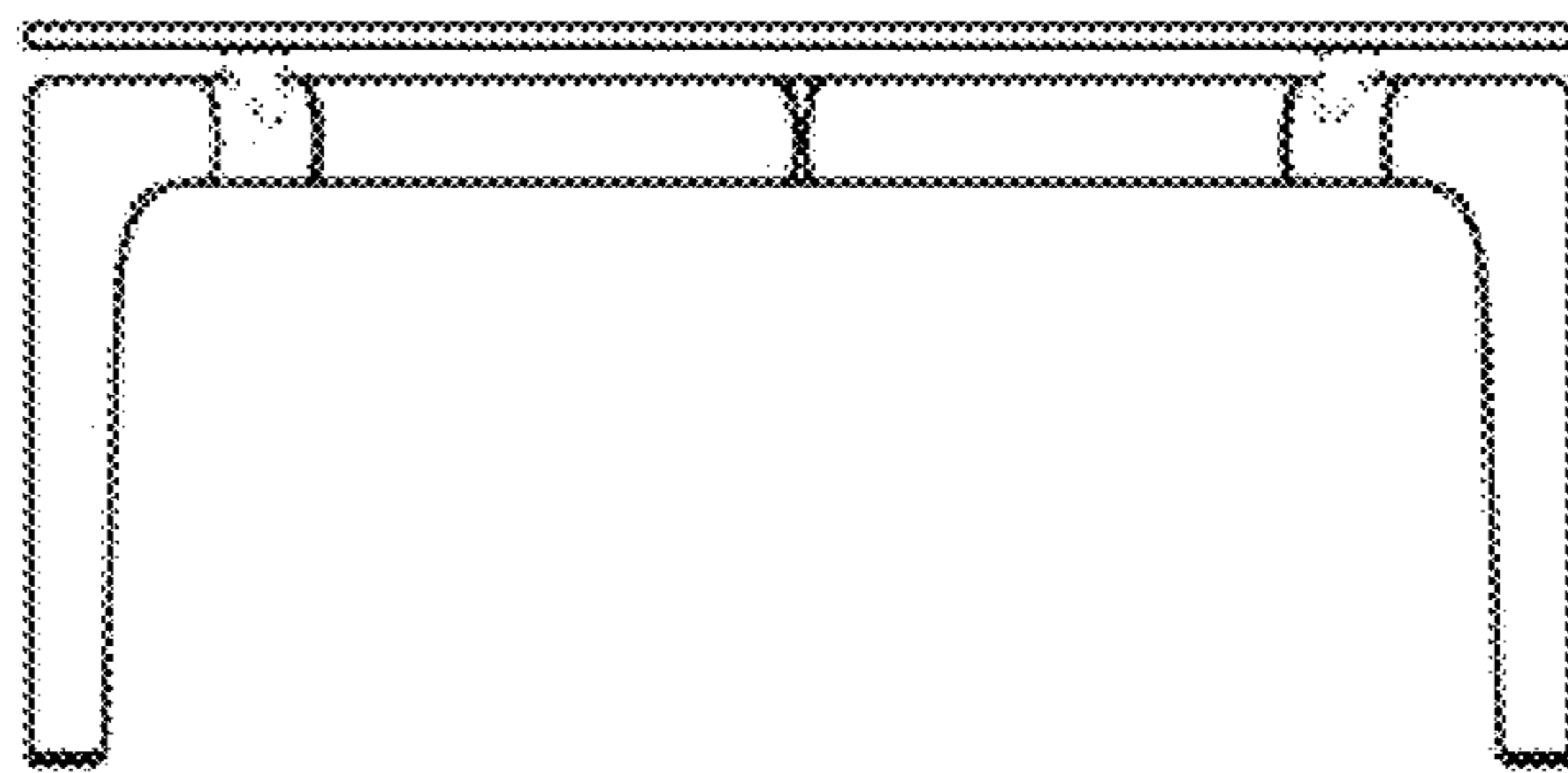
1.1



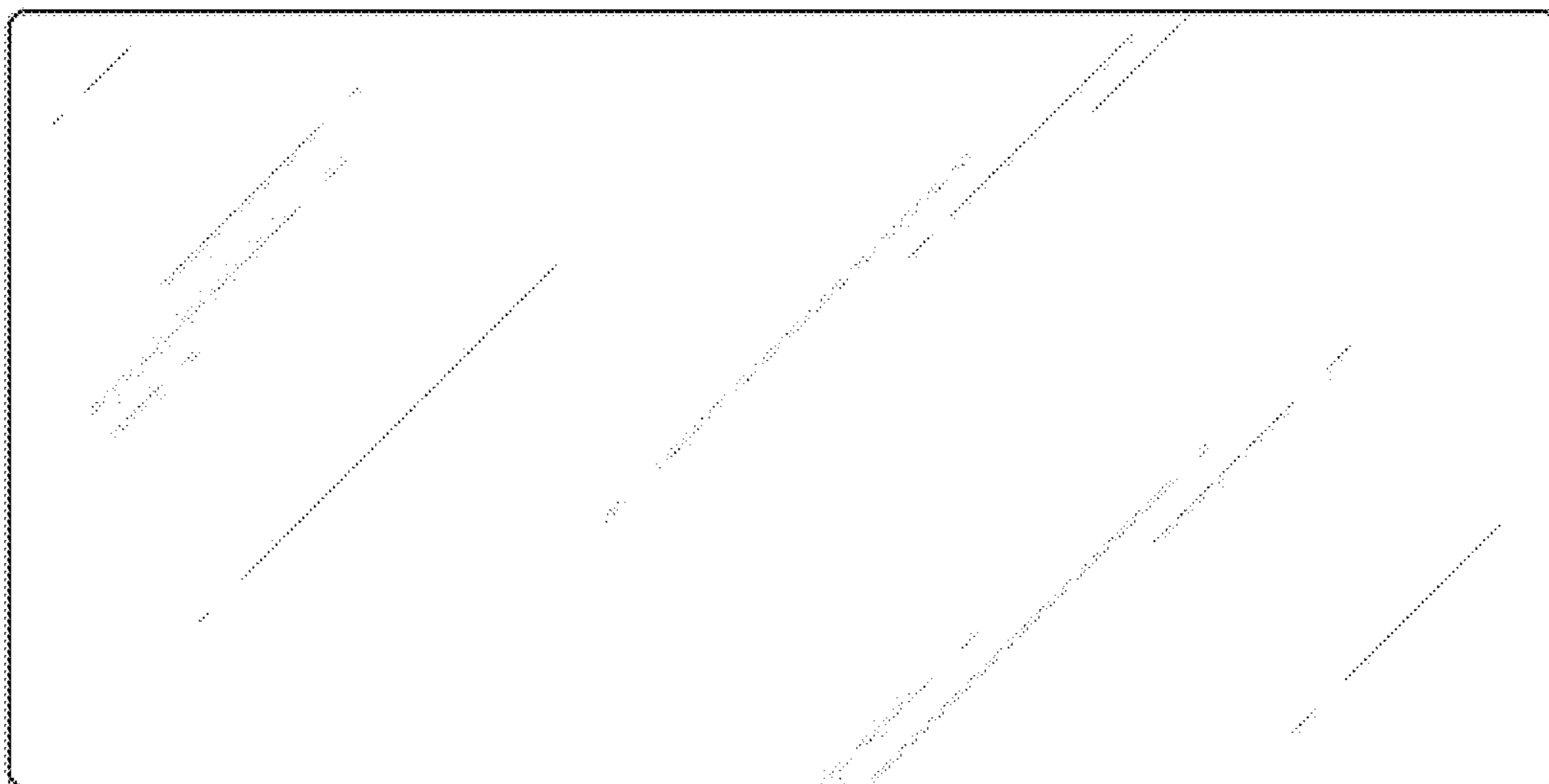
1.2



1.3



1.4



1.5

