



US00D914415S

(12) **United States Design Patent**
Lim

(10) **Patent No.:** **US D914,415 S**

(45) **Date of Patent:** **** Mar. 30, 2021**

(54) **TABLE**

(71) Applicant: **Seville Classics Inc.**, Torrance, CA
(US)

(72) Inventor: **Gary Lim**, Palos Verdes Peninsula, CA
(US)

(73) Assignee: **Seville Classics Inc.**, Torrance, CA
(US)

(**) Term: **15 Years**

(21) Appl. No.: **29/682,787**

(22) Filed: **Mar. 7, 2019**

(51) **LOC (13) Cl.** **06-03**

(52) **U.S. Cl.**
USPC **D6/691**

(58) **Field of Classification Search**
USPC D6/641, 642, 656, 656.1, 565.16, 685,
D6/686, 691, 691.1-691.9
CPC A47B 7/00; A47B 13/00; A47B 13/02;
A47B 13/04; A47B 13/06; A47B 13/08;
A47B 13/12; A47B 17/00; A47B 19/00;
A47B 21/00; A47B 2200/0001; A47B
2200/0011; A47B 2200/0016; A47B
2200/002; A47B 2200/0066
See application file for complete search history.

(56) **References Cited**

U.S. PATENT DOCUMENTS

D415,371 S * 10/1999 Lewis D6/691
D475,869 S * 6/2003 Jackson D6/691.1
D757,470 S * 5/2016 Pedersen D6/686
D784,740 S * 4/2017 Chipperfield D6/691
D784,744 S * 4/2017 Burden D6/691.1

D812,399 S * 3/2018 Gharabegian D6/691
D832,011 S * 10/2018 Hughes D6/691.6
D868,515 S * 12/2019 Velez D6/686
D868,516 S * 12/2019 Velez D6/691.1

* cited by examiner

Primary Examiner — Mary Ann Calabrese

(74) *Attorney, Agent, or Firm* — Raymond Sun

(57) **CLAIM**

The ornamental design for a table, as shown and described.

DESCRIPTION

FIG. 1 is a top perspective view of a table showing a first embodiment of my new design.

FIG. 2 is a bottom perspective view of the table of FIG. 1. FIG. 3 is a front view of the table of FIG. 1, with the rear view being a mirror image thereof.

FIG. 4 is a right side view of the table of FIG. 1, with the left side view being a mirror image thereof.

FIG. 5 is a top view of the table of FIG. 1.

FIG. 6 is a bottom view of the table of FIG. 1.

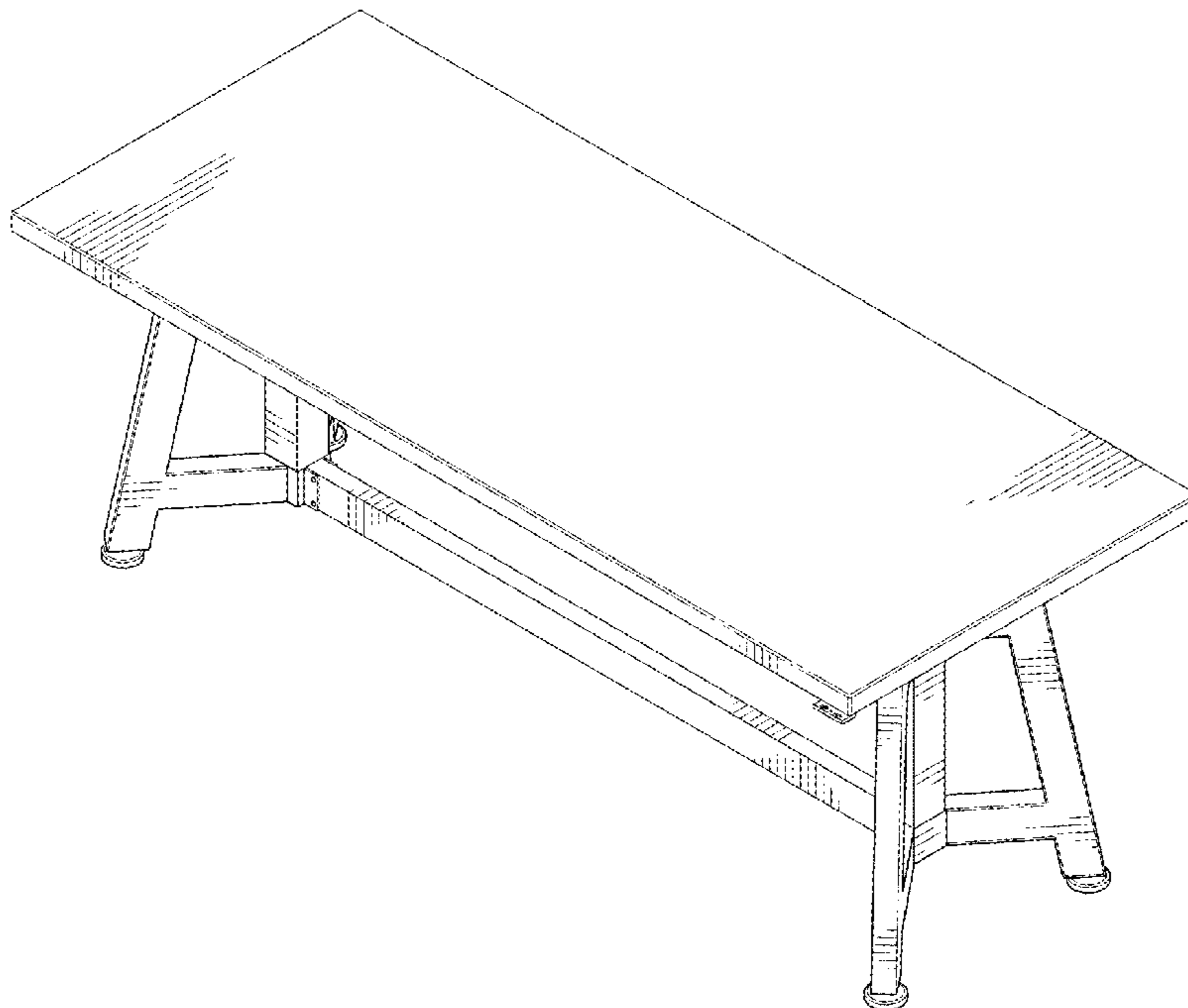
FIG. 7 is a top perspective view of the table of FIG. 1 showing the legs raised.

FIG. 8 is a right side view of the table of FIG. 1 showing the legs raised.

FIG. 9 is a front view of a table showing a second embodiment, with the rear view being a mirror image thereof; and, FIG. 10 is a bottom perspective view of the table of FIG. 9. The top, left, right and bottom views of the table of FIG. 9 are the same as set forth in FIGS. 4-6.

The table is shown with a symbolic break in the length of its supporting structure in FIG. 8. The appearance of any portion of the article between the break lines forms no part of the claimed design.

1 Claim, 10 Drawing Sheets



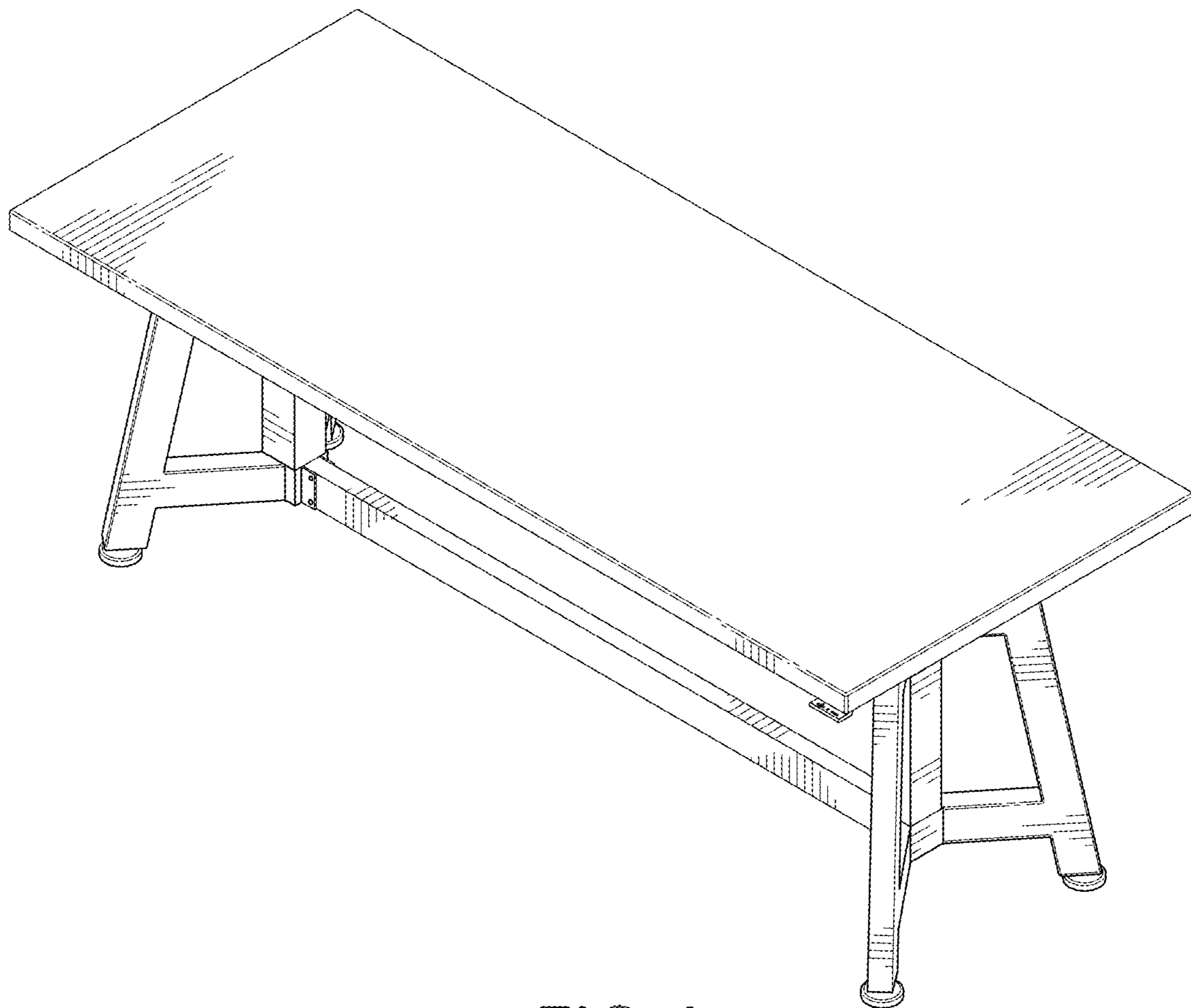


FIG. 1

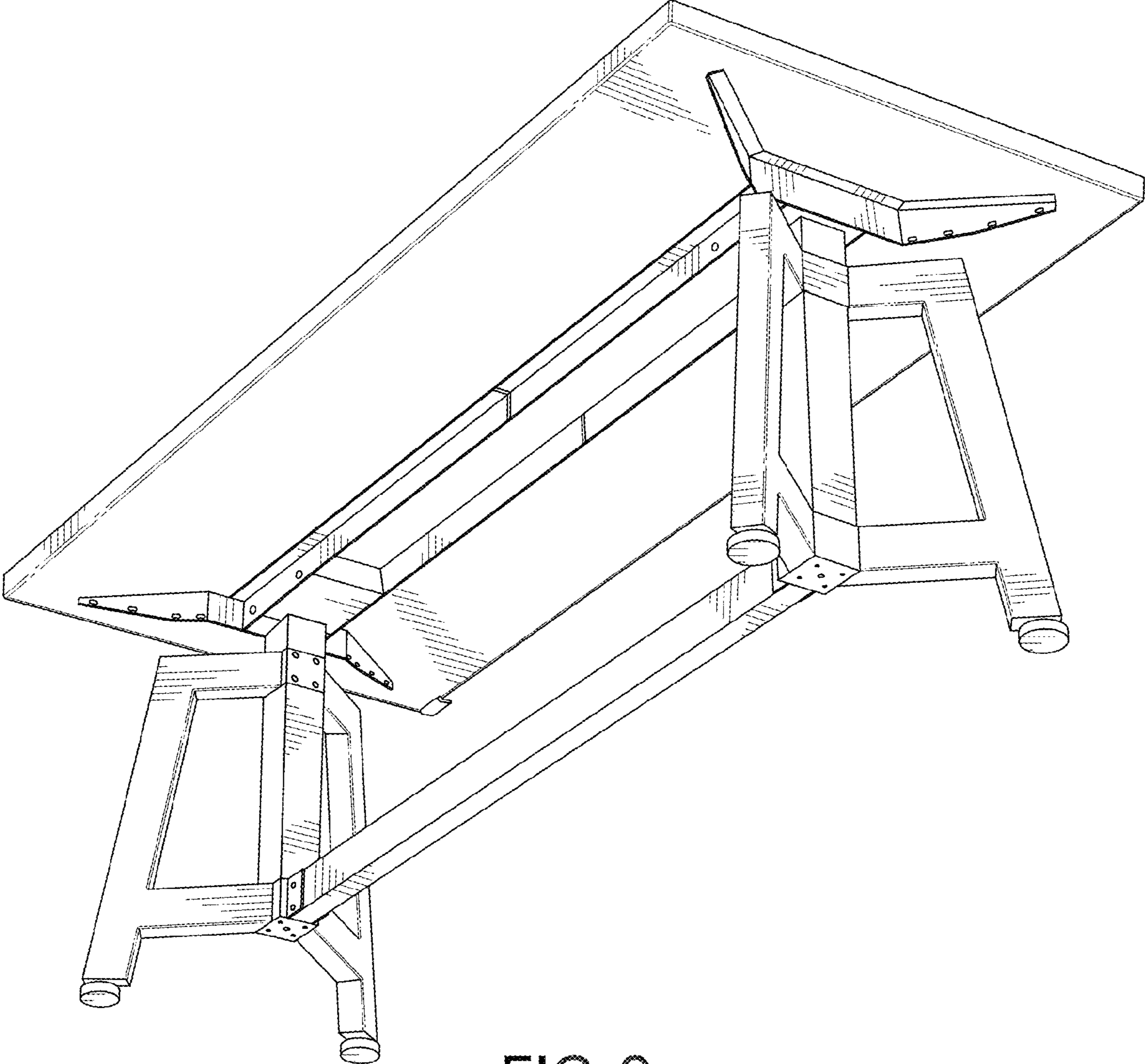


FIG. 2

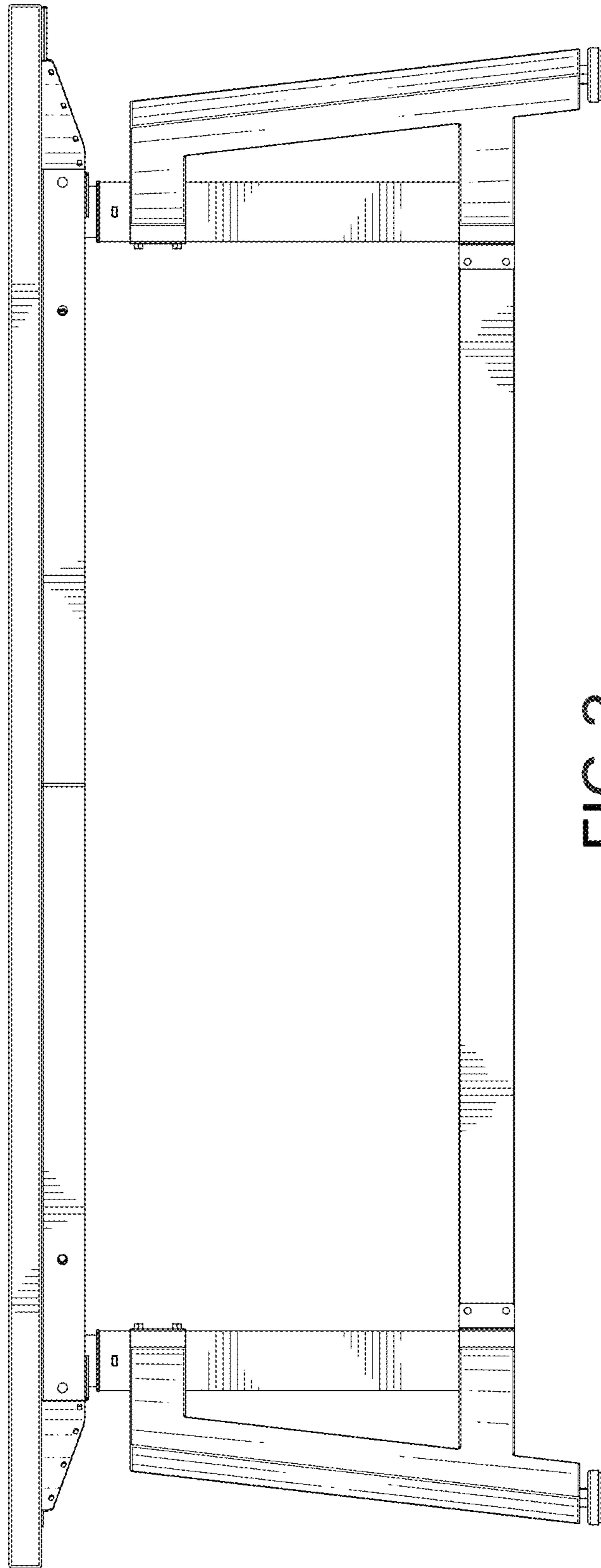


FIG. 3

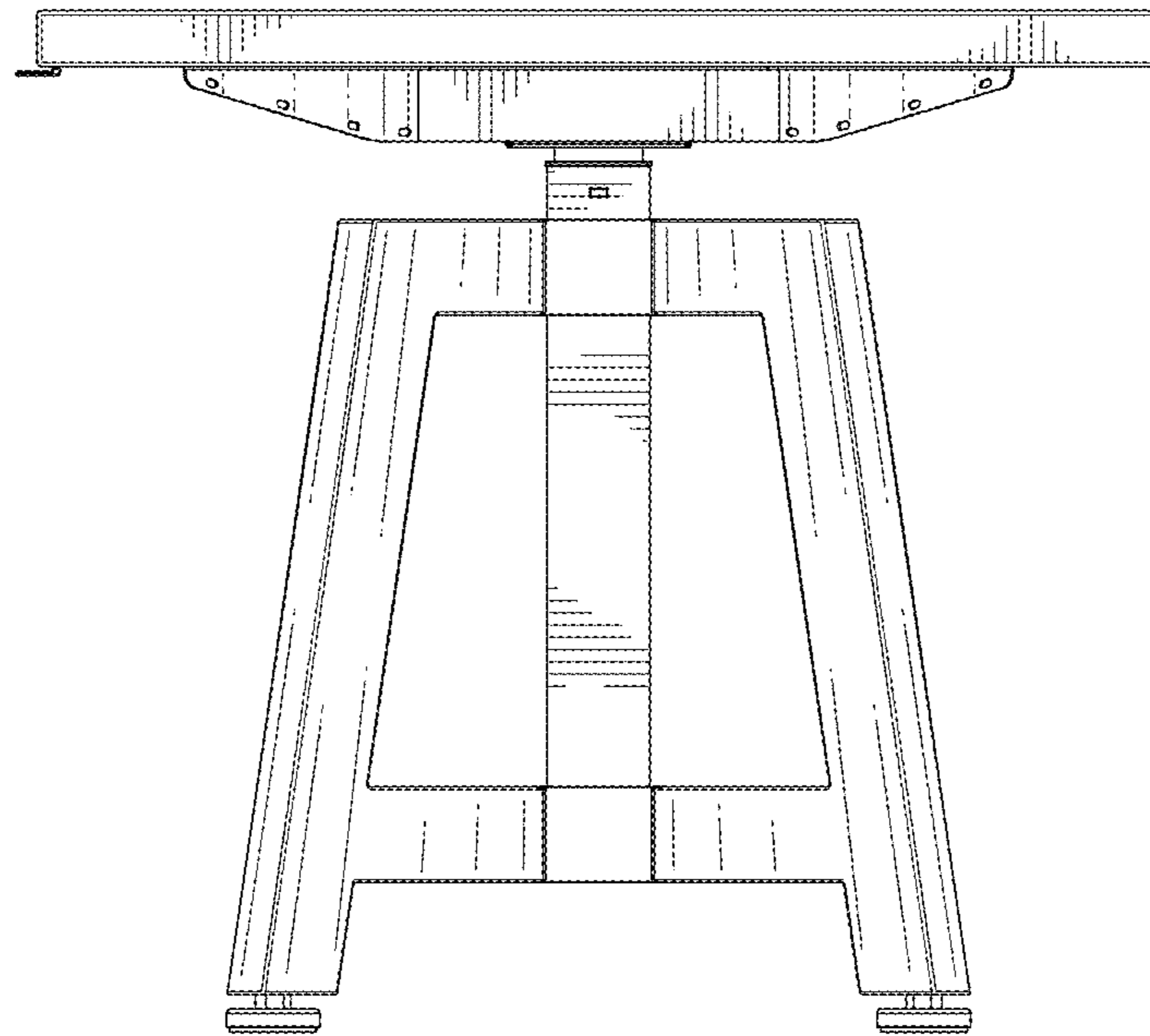


FIG. 4

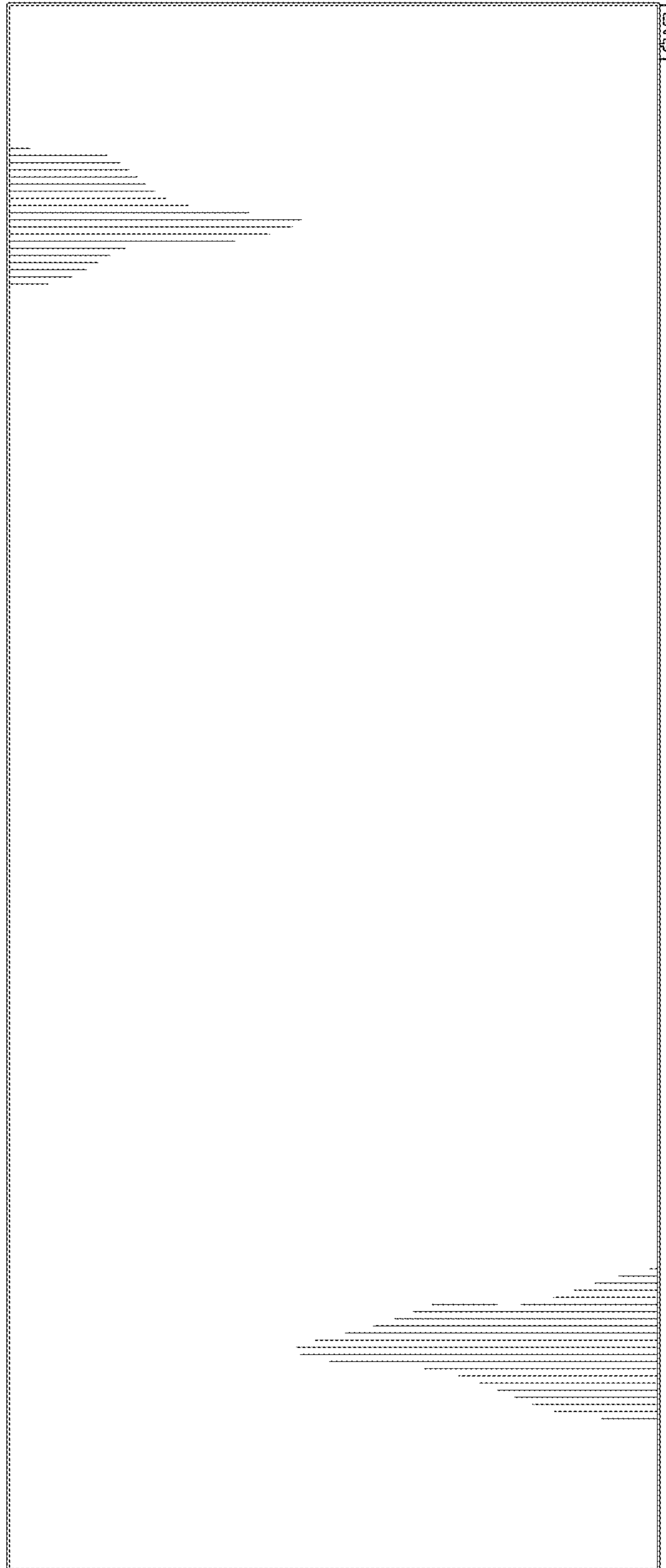


FIG. 5

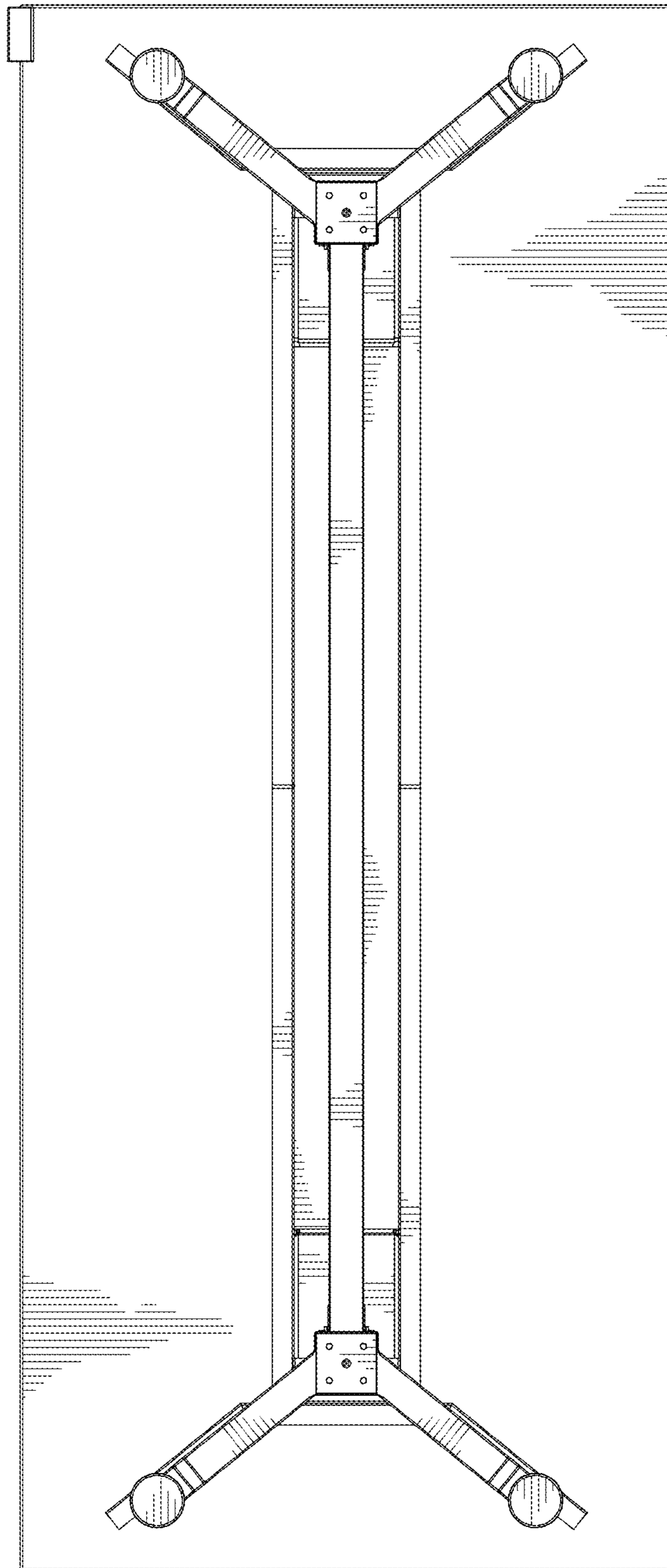
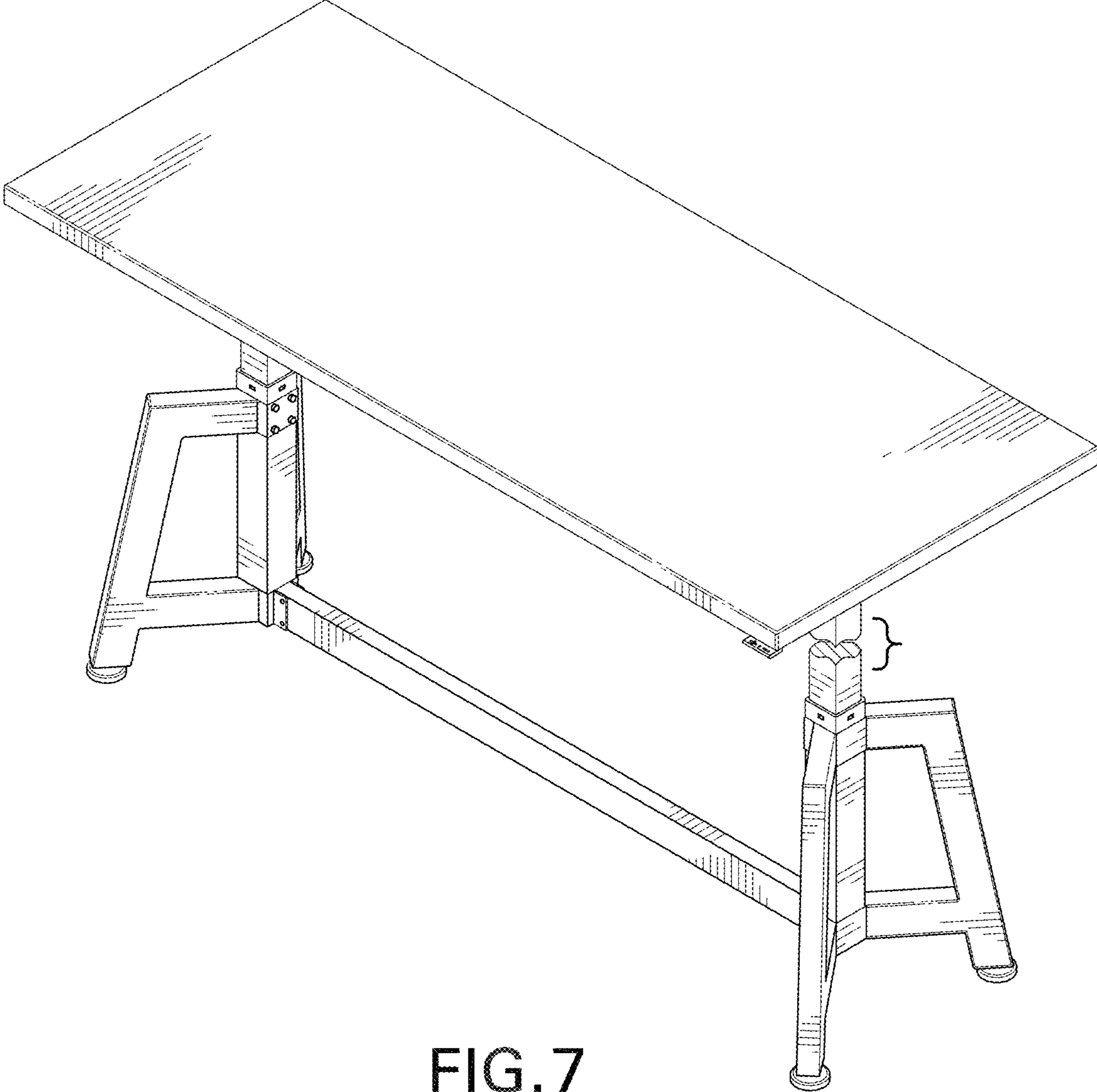


FIG. 6



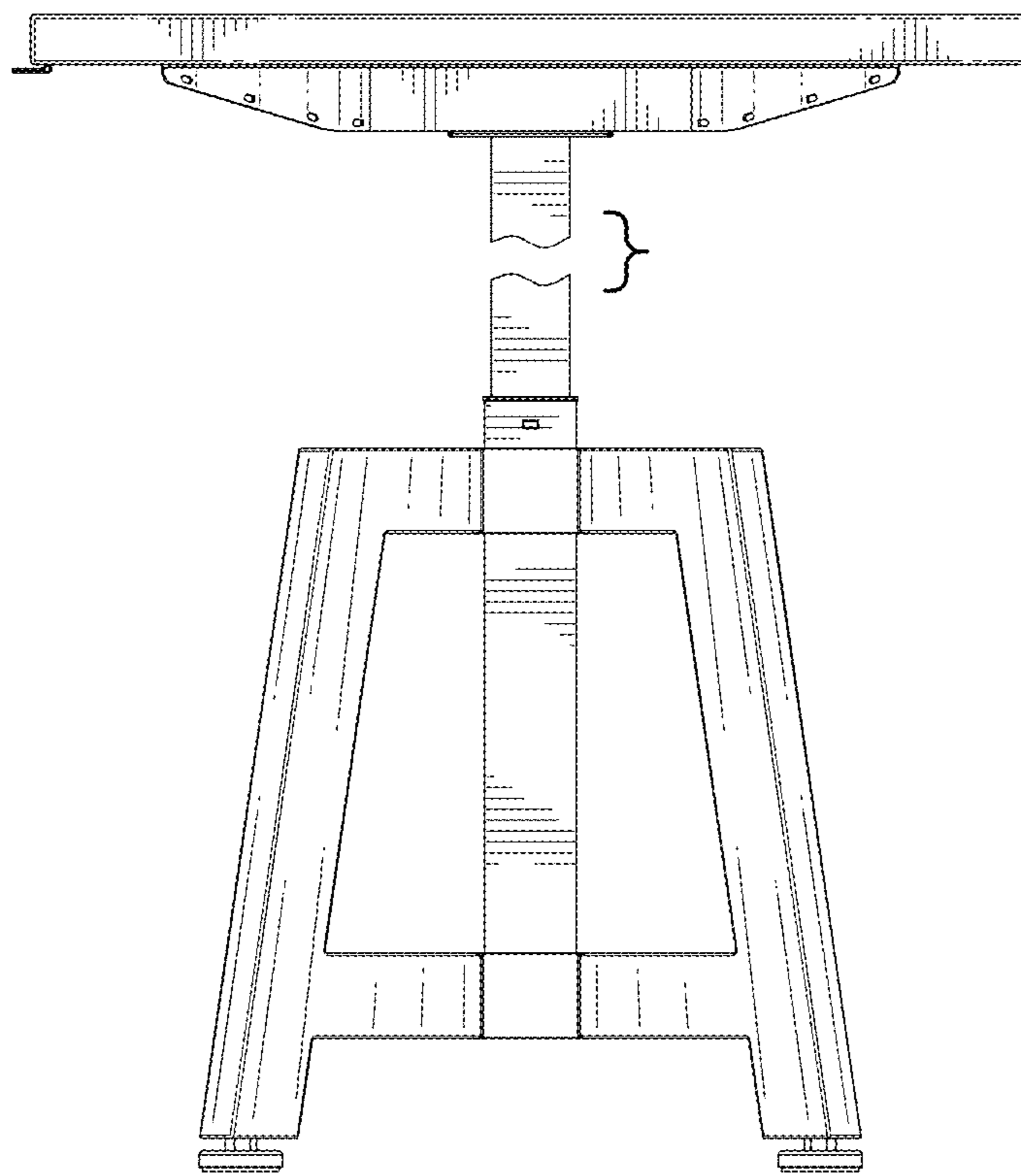


FIG. 8

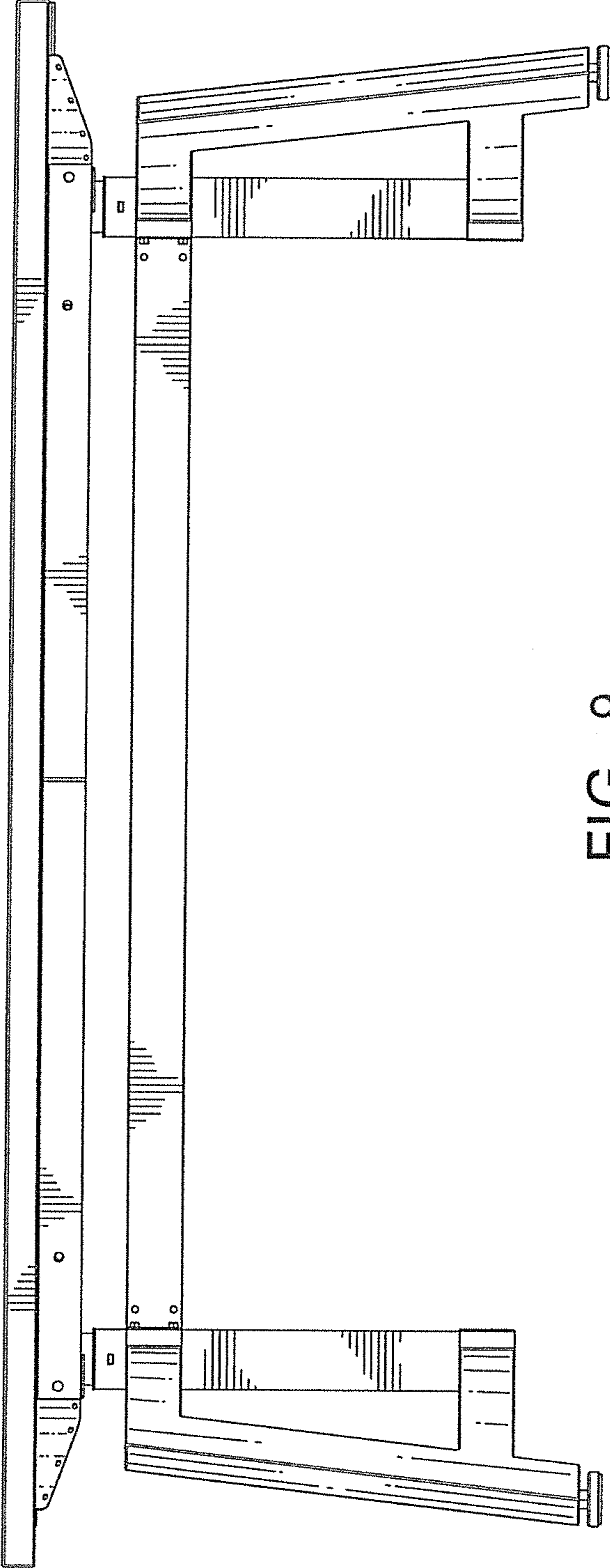


FIG. 9

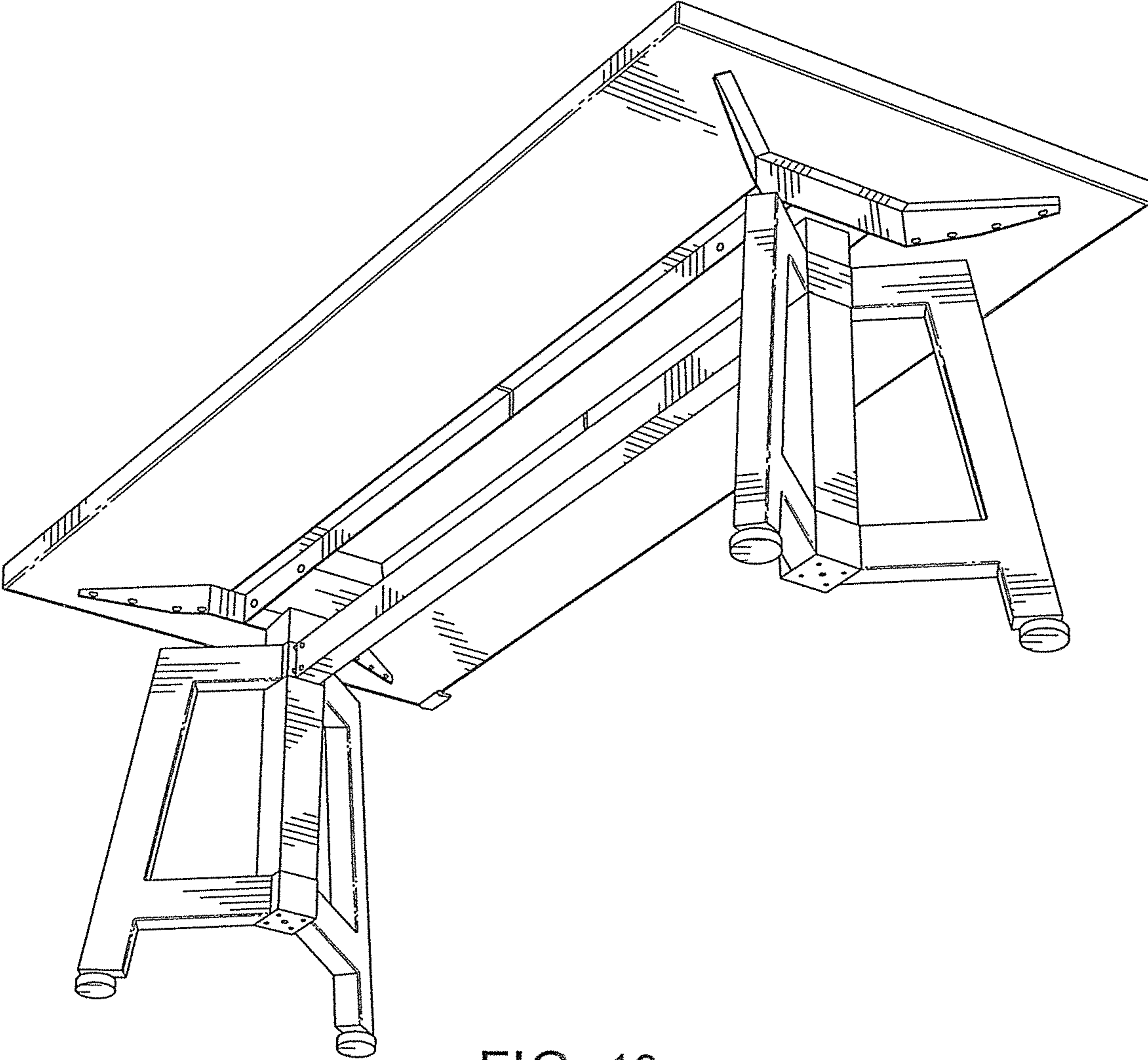


FIG. 10