



US00D914414S

(12) **United States Design Patent** (10) **Patent No.:** **US D914,414 S**
Fleming (45) **Date of Patent:** **** Mar. 30, 2021**

(54) **LEG SUPPORT STAND**
(71) Applicant: **Vincent Fleming**, Seminole, FL (US)
(72) Inventor: **Vincent Fleming**, Seminole, FL (US)
(**) Term: **15 Years**
(21) Appl. No.: **29/719,686**
(22) Filed: **Jan. 7, 2020**
(51) **LOC (13) Cl.** **20-02**
(52) **U.S. Cl.**
USPC **D6/681.3**
(58) **Field of Classification Search**
USPC D6/672, 675, 675.5, 681, 681.1, 681.2,
D6/681.3, 682, 682.5, 683, 708.23;
D24/183; D21/699, 302
CPC .. A47F 5/00; A47F 5/0018; A47F 5/01; A47F
5/04; A47F 5/05; A47F 5/06; A61B 6/04;
A61B 6/0407; A61F 5/37; A61G 7/075;
A61G 7/0755
See application file for complete search history.

D290,793 S * 7/1987 Lukezich D6/681.2
5,322,250 A * 6/1994 Wilhite, Jr. F16M 11/38
248/166
D379,878 S * 6/1997 Vassallo D6/681.1
D386,332 S * 11/1997 Grosfillex D6/708
D429,583 S * 8/2000 Black D6/708
D435,365 S * 12/2000 Eason D16/244
6,250,635 B1 * 6/2001 Chittenden A63B 67/06
273/400
6,554,285 B2 * 4/2003 Chittenden A63B 67/06
273/400
D479,415 S * 9/2003 Berry D6/708
6,776,417 B1 * 8/2004 Holgate A63B 67/06
273/400
D504,805 S * 5/2005 Sorkin D14/224
(Continued)

(56) **References Cited**
U.S. PATENT DOCUMENTS
376,767 A * 1/1888 Creque et al. F24H 9/06
248/172
881,345 A * 3/1908 Sabin et al. F16M 11/00
248/165
910,938 A * 1/1909 Miller et al. F16M 11/00
248/173
922,909 A * 5/1909 Jensen et al. F16M 11/00
248/150
927,746 A * 7/1909 Murphy et al. F16M 11/00
248/165
D147,902 S * 11/1947 Gray et al. D6/708.23
2,474,318 A * 6/1949 Molla A47B 3/12
108/158
D207,647 S * 5/1967 Wormley et al. D6/708
D214,798 S * 7/1969 Court et al. D6/672
D281,039 S * 10/1985 Hurst D6/681.2

OTHER PUBLICATIONS

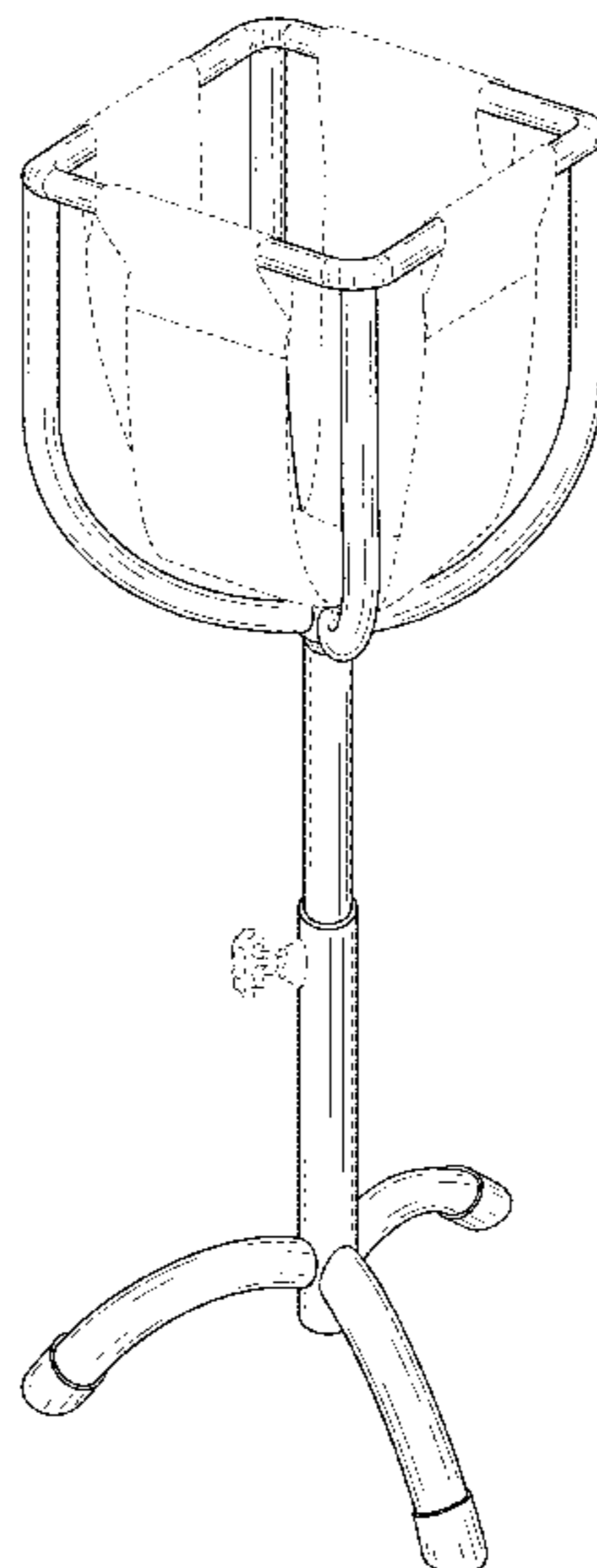
Leg Support Stand, pjaxray.com, <https://pjaxray.com/leg-support-stand-lgs-10.html> (Year: 2020).*
Primary Examiner — Steven J Czyz
(74) *Attorney, Agent, or Firm* — Larson & Larson, P.A.;
Justin P. Miller; Frank Liebenow

(57) **CLAIM**
I claim the ornamental design for a leg support stand, as shown and described.

DESCRIPTION

FIG. 1 is a perspective view of a leg support stand showing my new design;
FIG. 2 is a front elevation view thereof;
FIG. 3 is a back elevation thereof;
FIG. 4 is a left-side elevation view thereof;
FIG. 5 is a right-side elevation view thereof;
FIG. 6 is a top plan view thereof; and,
FIG. 7 is a bottom plan view thereof.
The broken lines depict portions of the article that form no part of the claimed design.

1 Claim, 6 Drawing Sheets



(56)

References Cited

U.S. PATENT DOCUMENTS

D512,859 S * 12/2005 Garvey D6/708.16
D534,382 S * 1/2007 Trott A47B 3/12
D6/708.16
D552,897 S * 10/2007 Joseph D6/708
D557,529 S * 12/2007 Cheng F16M 11/00
D6/708
7,500,675 B2 * 3/2009 Sandman A63B 63/08
273/400
D595,518 S * 7/2009 Zapanta F16M 11/00
D6/681.1
D628,412 S * 12/2010 Lambert F16M 11/00
D6/708.23
D655,418 S * 3/2012 Hancock D24/183
D734,967 S * 7/2015 Lundy A63B 63/08
D6/681
D779,241 S * 2/2017 Terada A63B 67/06
D6/681.1
D813,581 S * 3/2018 Denby D6/683
D822,413 S * 7/2018 Tinetti A63B 67/06
D6/681.3
D833,783 S * 11/2018 Tinetti D6/681.3
D854,863 S * 7/2019 Majer D6/681.1
10,806,650 B2 * 10/2020 Di Lauro A61G 13/101

* cited by examiner

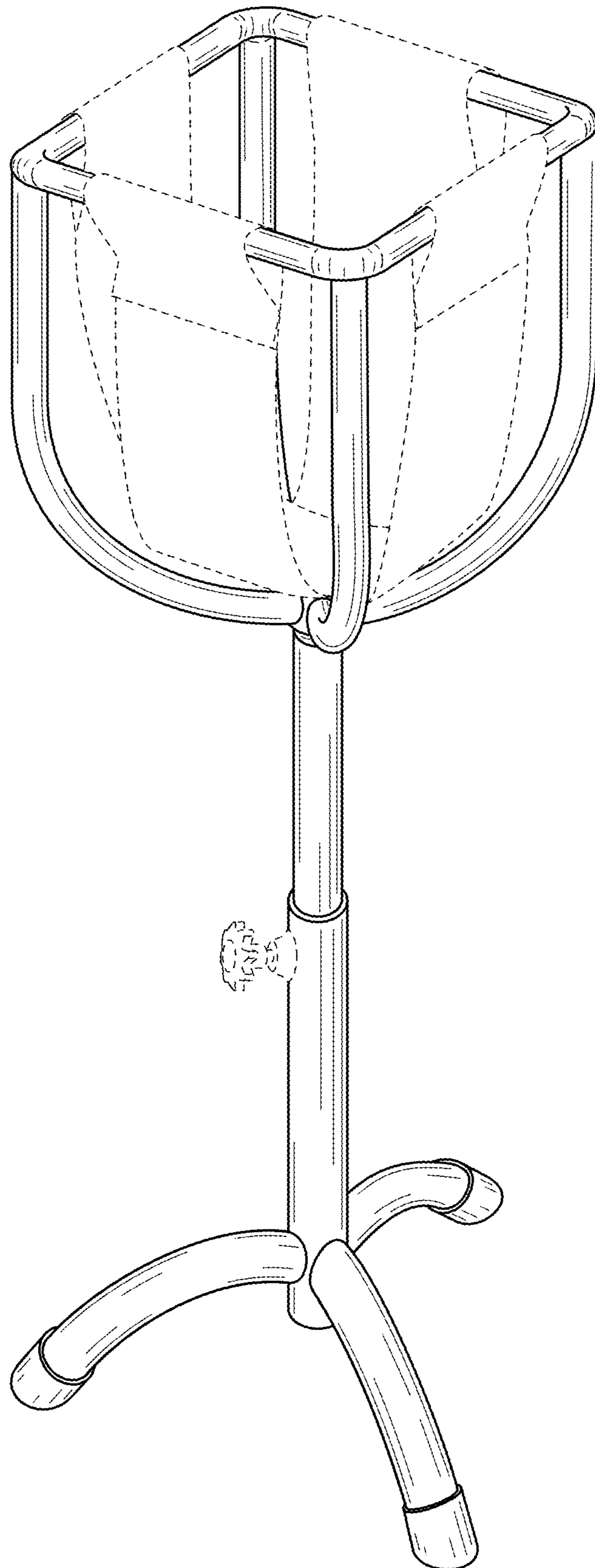


FIG. 1

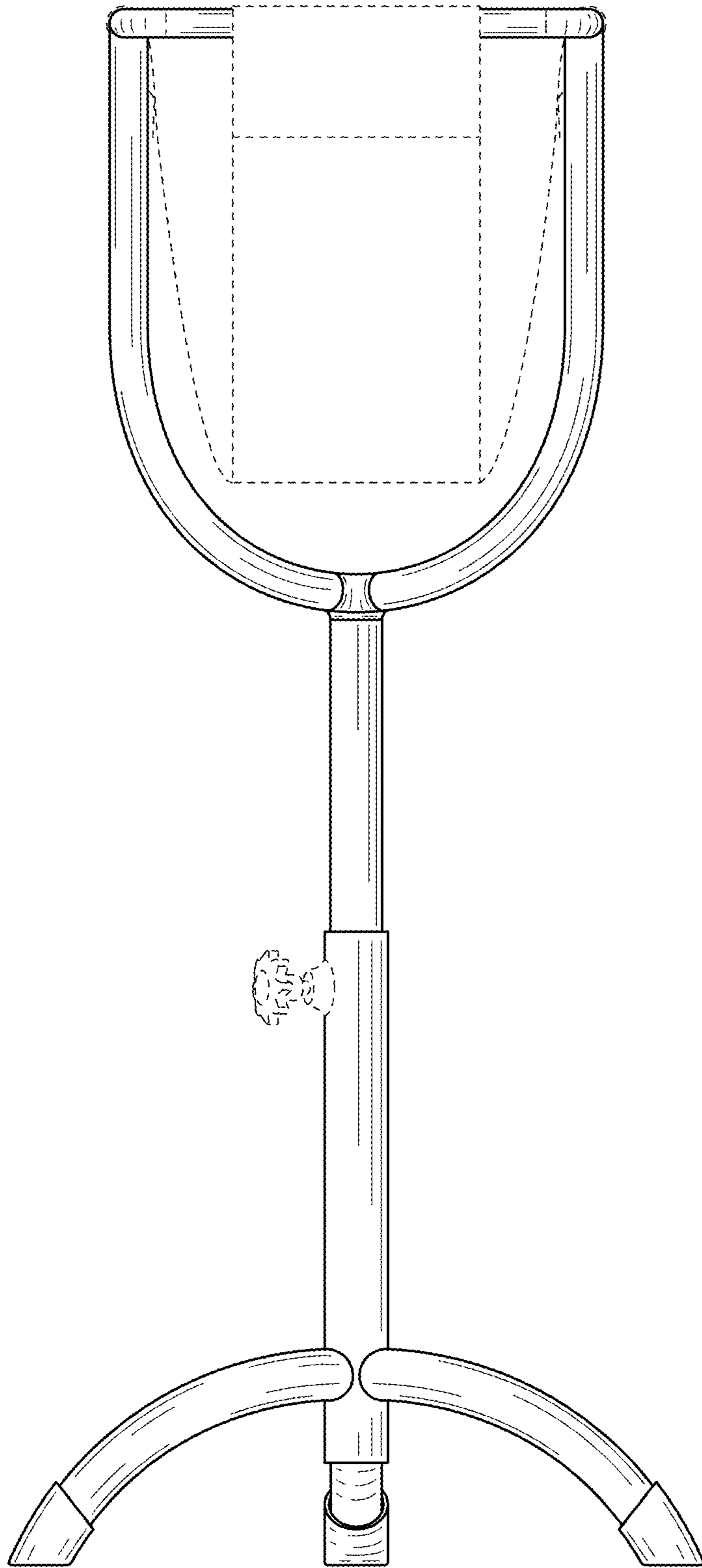


FIG. 2

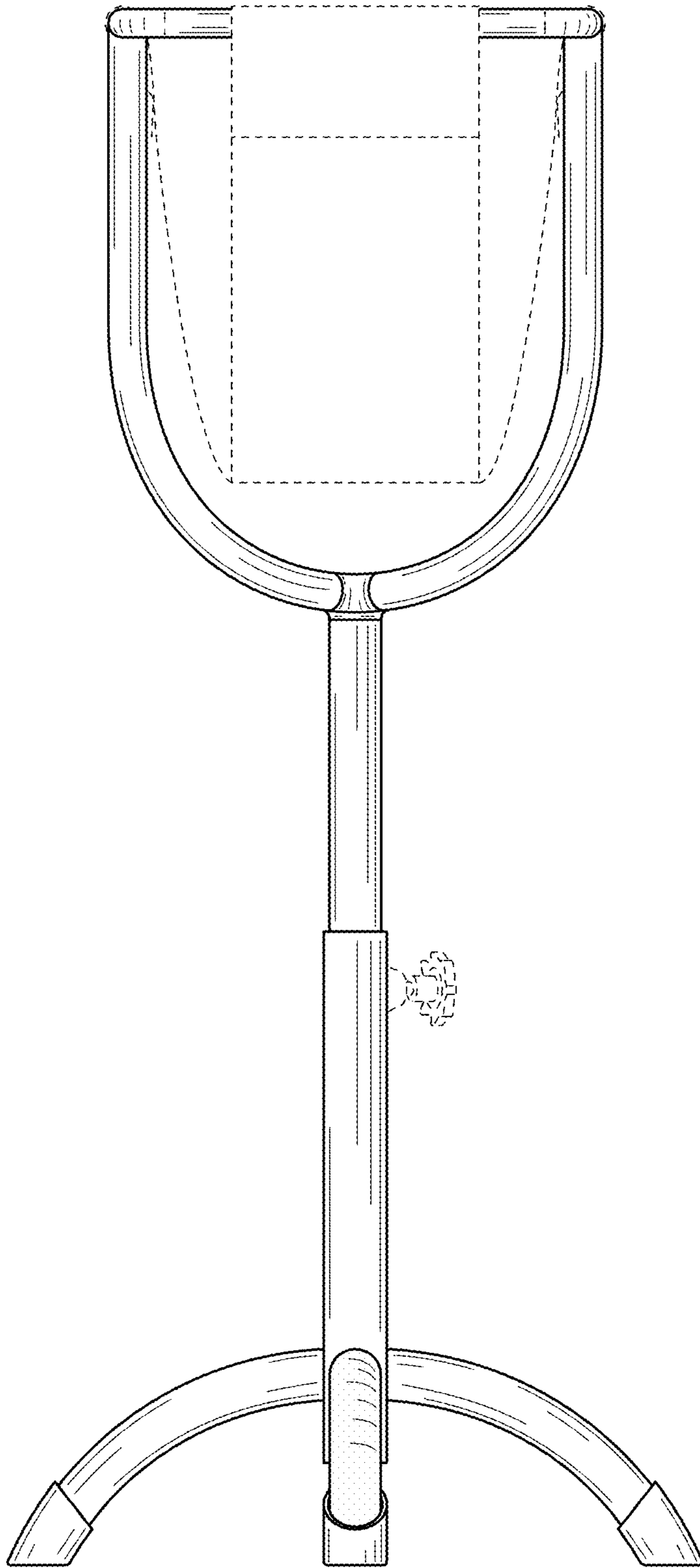


FIG. 3

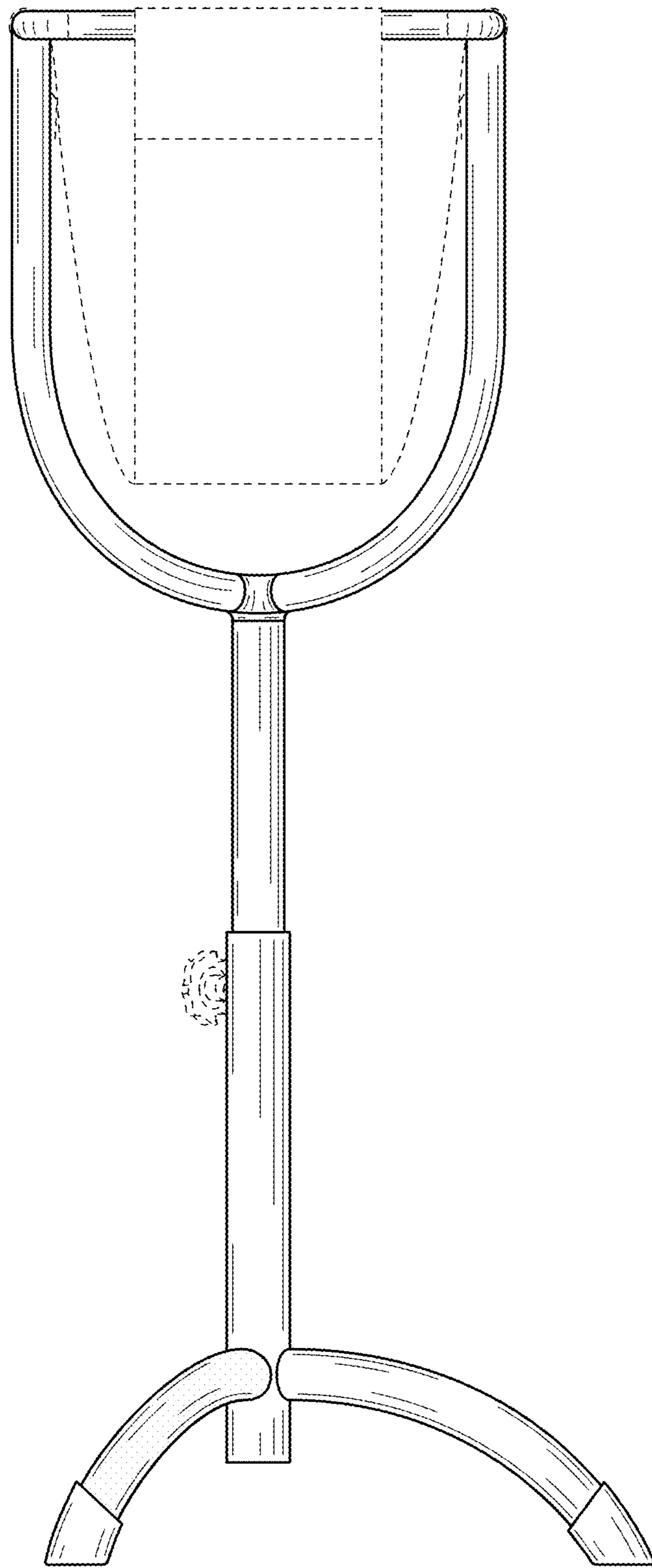


FIG. 4

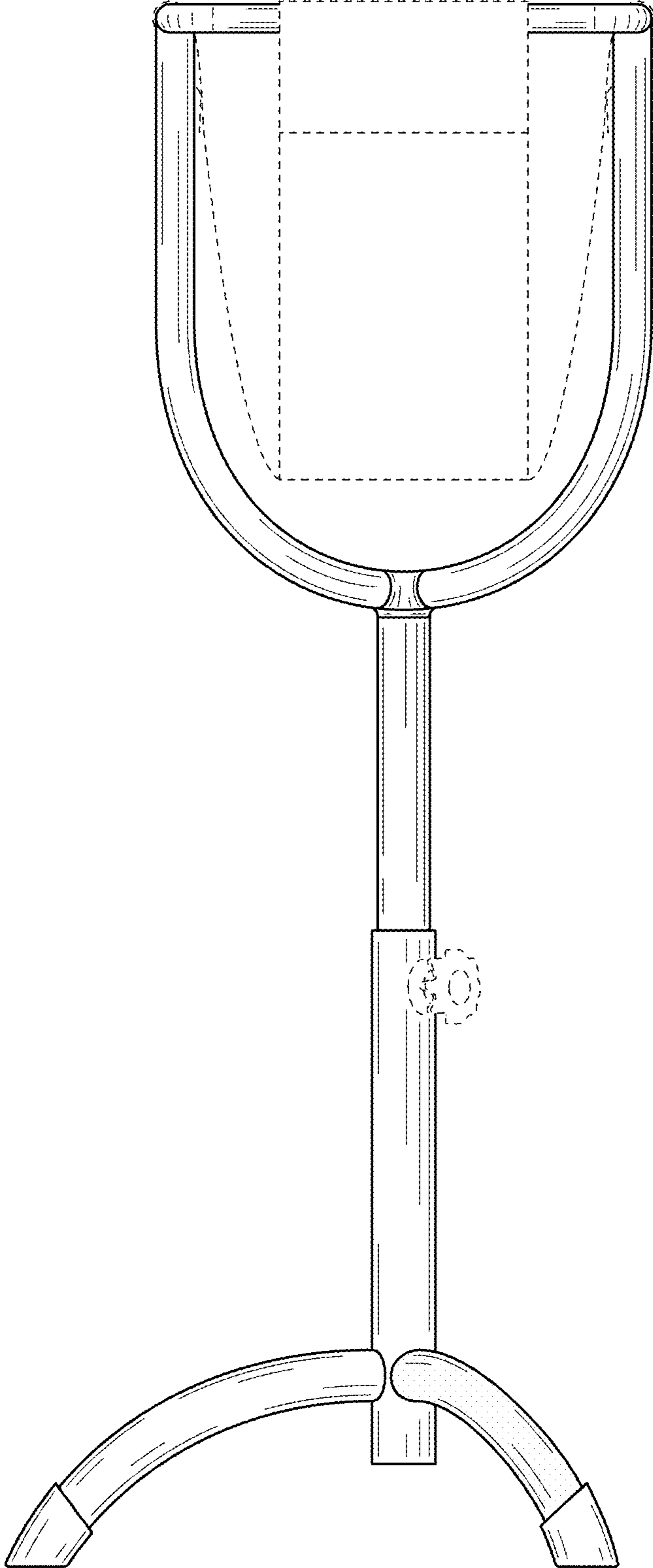


FIG. 5

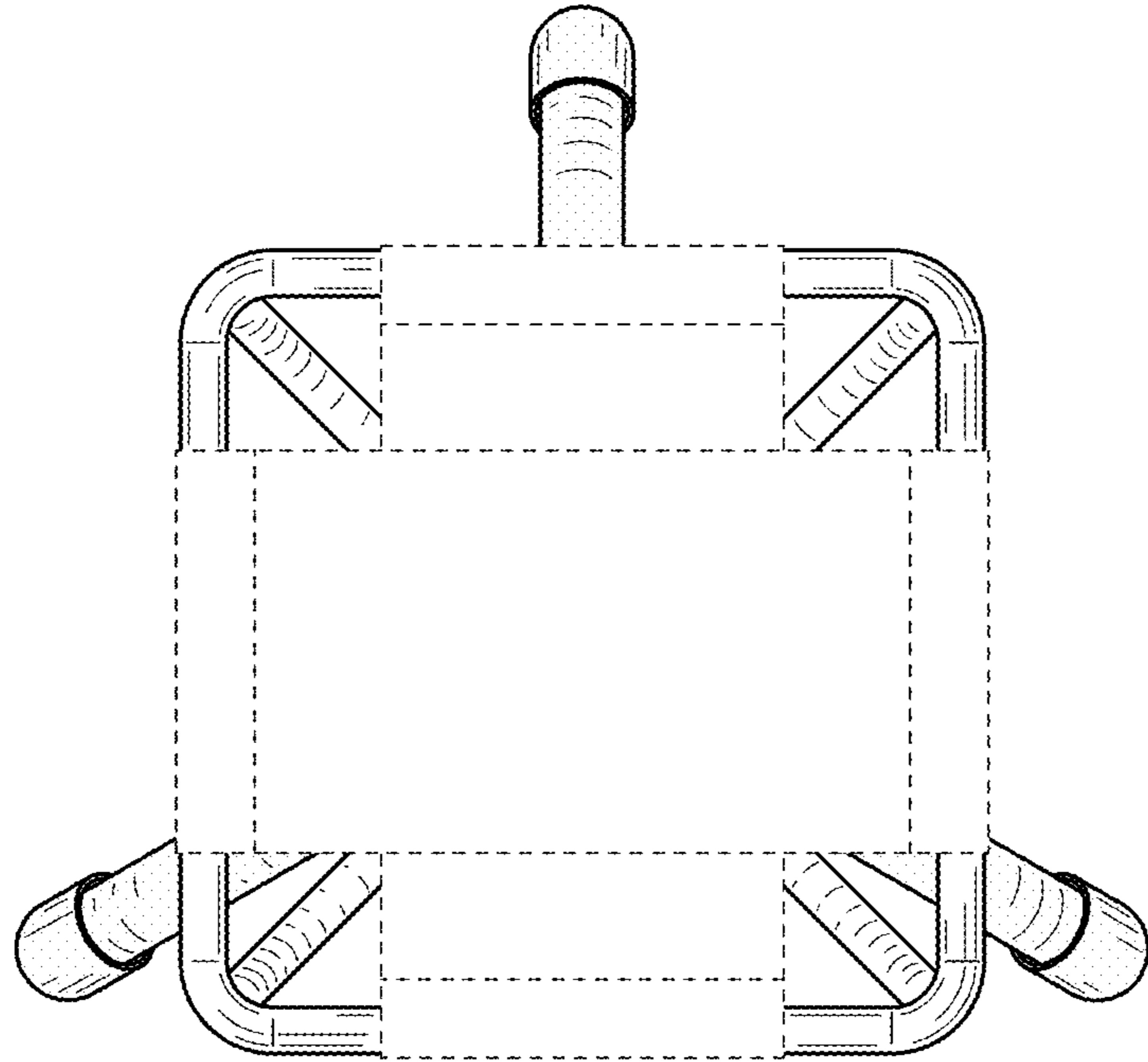


FIG. 6

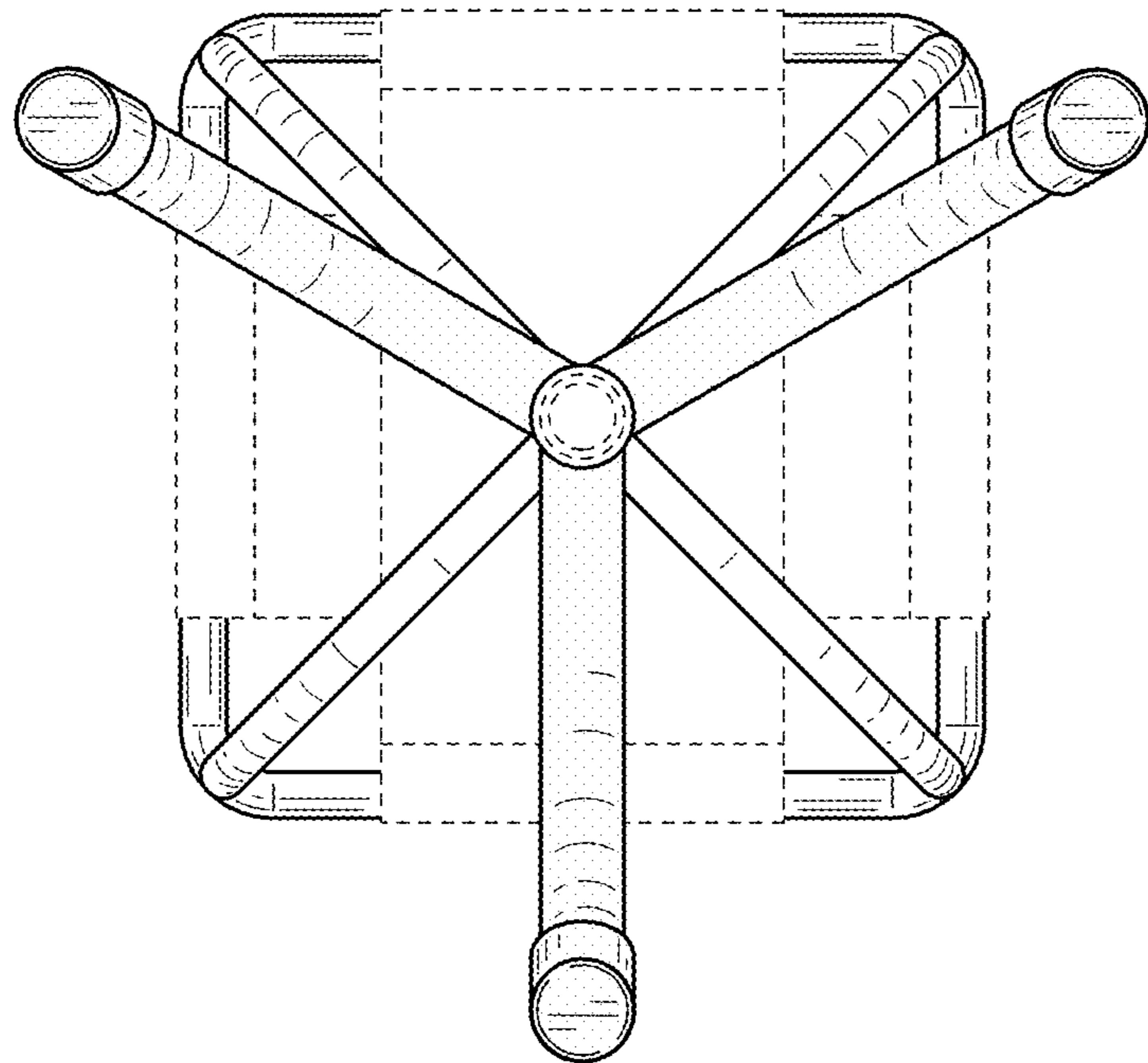


FIG. 7