



US00D914413S

(12) **United States Design Patent** (10) **Patent No.:** **US D914,413 S**  
**Cui** (45) **Date of Patent:** **\*\* Mar. 30, 2021**

(54) **CORNER SHELF**  
(71) Applicant: **ZHEJIANG HYNWIN**  
**E-COMMERCE CO., LTD.**, Taizhou  
(CN)  
(72) Inventor: **Mengdong Cui**, Taizhou (CN)  
(\*\*) Term: **15 Years**  
(21) Appl. No.: **29/751,308**  
(22) Filed: **Sep. 21, 2020**  
(51) **LOC (13) Cl.** ..... **06-06**  
(52) **U.S. Cl.**  
USPC ..... **D6/678.2**  
(58) **Field of Classification Search**  
USPC ..... D6/672, 675, 675.1, 675.2, 675.3, 675.4,  
D6/675.5, 678, 678.1, 678.2  
CPC ..... A47F 5/0043; A47F 5/0081; A47F 7/00;  
A47F 5/0062; A47B 96/00; A47B 96/02;  
A47B 47/00; A47B 47/04; A47B 49/00  
See application file for complete search history.

(56) **References Cited**  
U.S. PATENT DOCUMENTS  
D170,616 S \* 10/1953 Yarger ..... D26/58  
D179,079 S \* 10/1956 Hopper ..... D6/678.2  
D179,616 S \* 1/1957 Steidel ..... D6/678.2  
D273,919 S \* 5/1984 Pasinski ..... D25/65  
D520,267 S \* 5/2006 Berger ..... D6/678.2  
D540,067 S \* 4/2007 Chung ..... D6/675.3

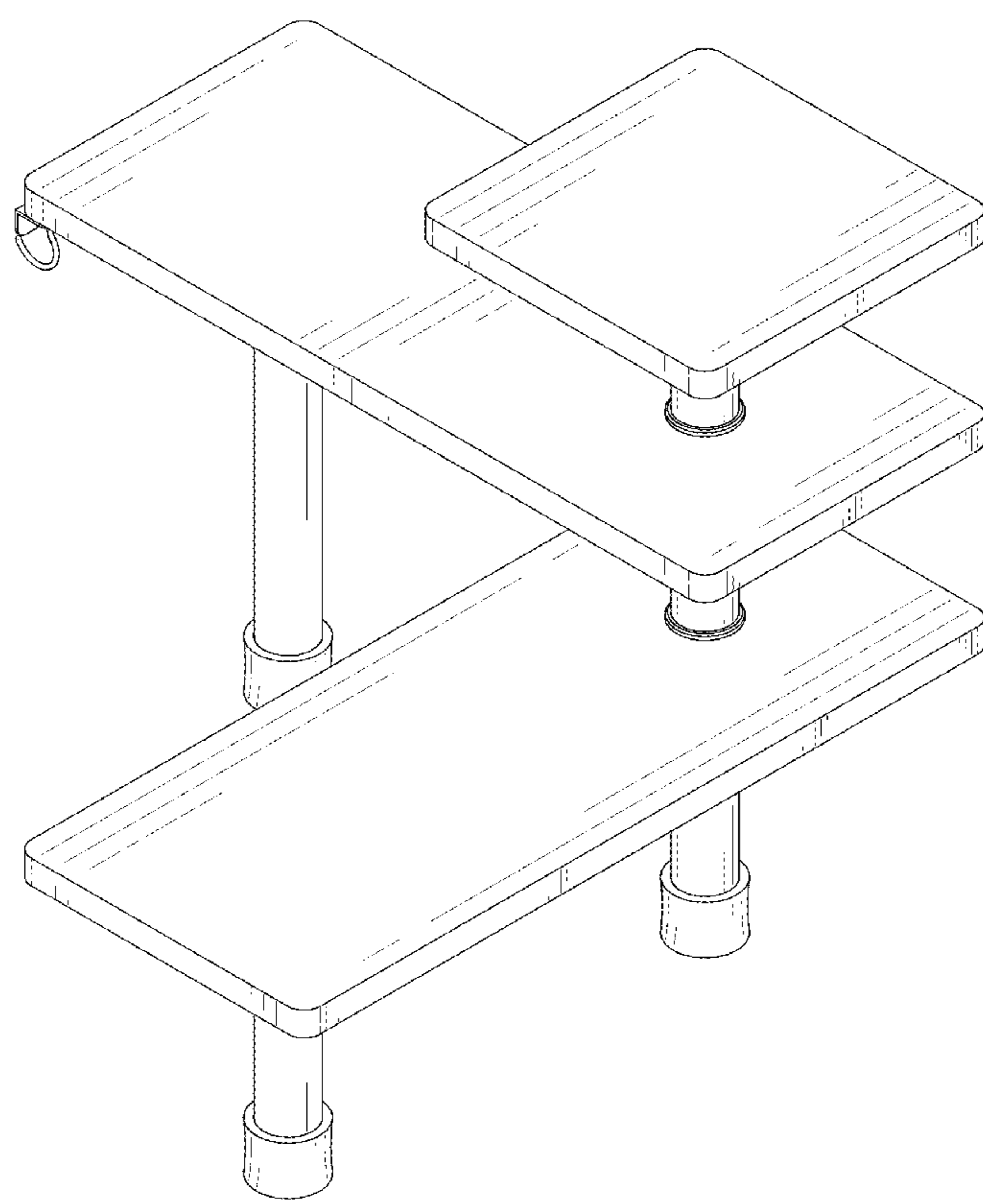
D545,086 S \* 6/2007 Turco-Rivas ..... D6/383  
D723,310 S \* 3/2015 Goodman et al.  
D746,618 S \* 1/2016 Clark ..... D6/675.3  
D760,852 S \* 7/2016 Appleton ..... D21/671  
D766,625 S \* 9/2016 Johnson ..... D6/675.3  
D777,481 S \* 1/2017 Denby ..... D6/675.3  
D831,364 S \* 10/2018 Brown ..... D6/350  
D848,768 S \* 5/2019 Johnson ..... D6/662.1  
D866,228 S \* 11/2019 Pedersen ..... D6/675.1

\* cited by examiner  
*Primary Examiner* — Kelley A Donnelly  
(74) *Attorney, Agent, or Firm* — ZANIP

(57) **CLAIM**  
The ornamental design for a corner shelf, as shown and described.

**DESCRIPTION**  
FIG. 1 is a front and top perspective view of a corner shelf showing my new design;  
FIG. 2 is a rear and bottom perspective view thereof;  
FIG. 3 is a front elevational view thereof;  
FIG. 4 is a rear elevational view thereof;  
FIG. 5 is a left side elevational view thereof;  
FIG. 6 is a right side elevational view thereof;  
FIG. 7 is a top plan view thereof; and,  
FIG. 8 is a bottom plan view thereof.  
The broken lines in the figures illustrate portions of the article that form no part of the claimed design.

**1 Claim, 8 Drawing Sheets**



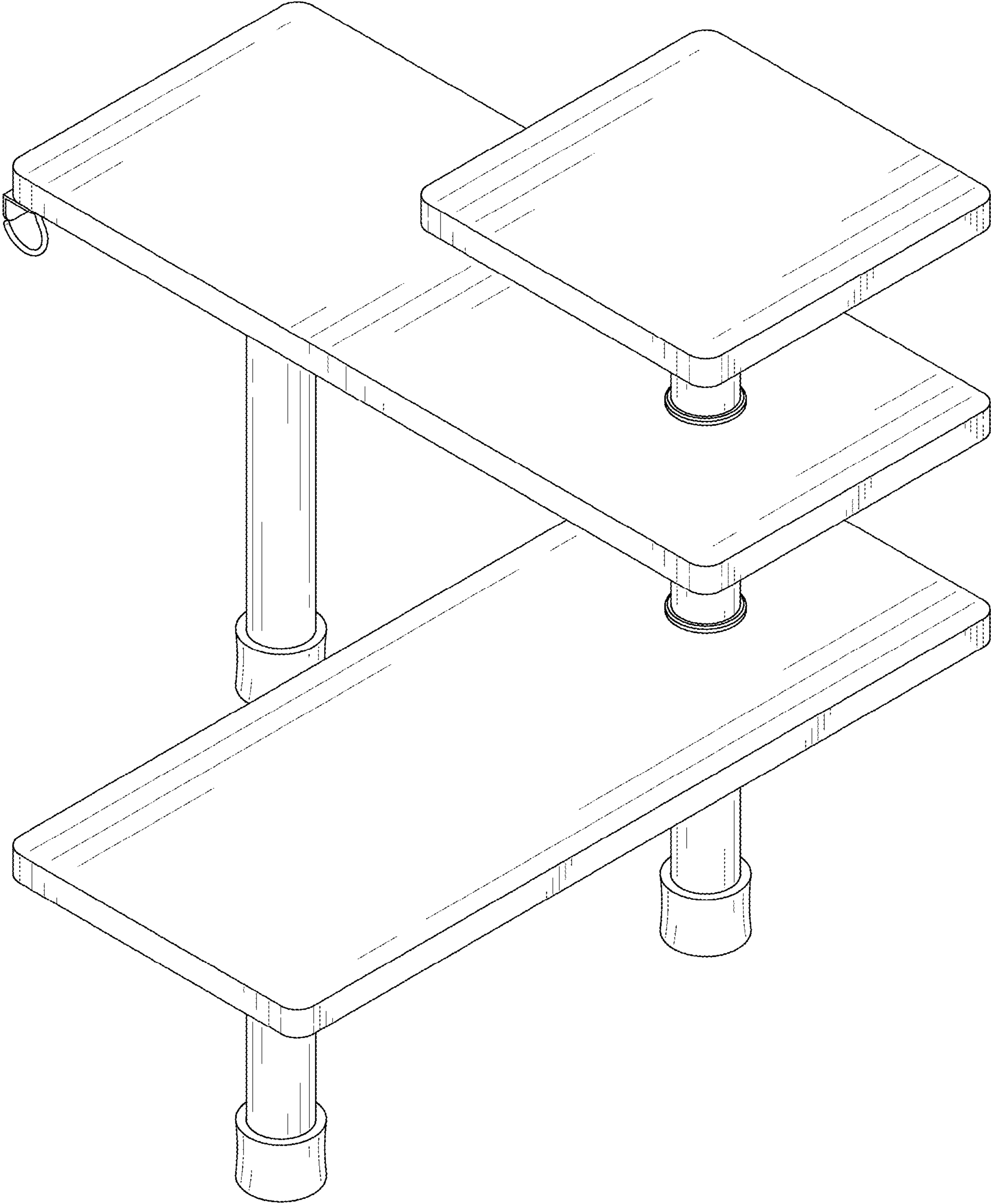


FIG. 1

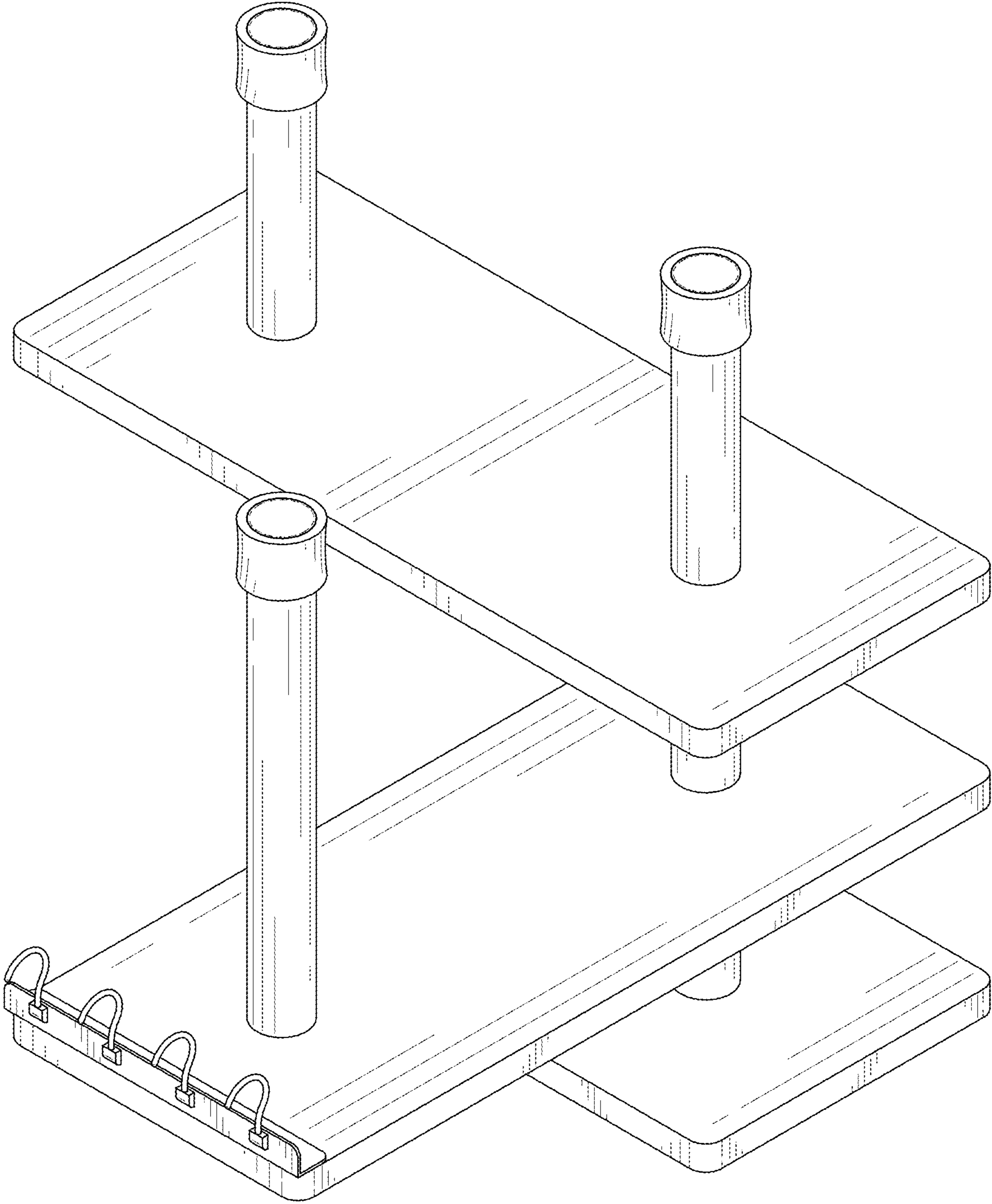


FIG. 2

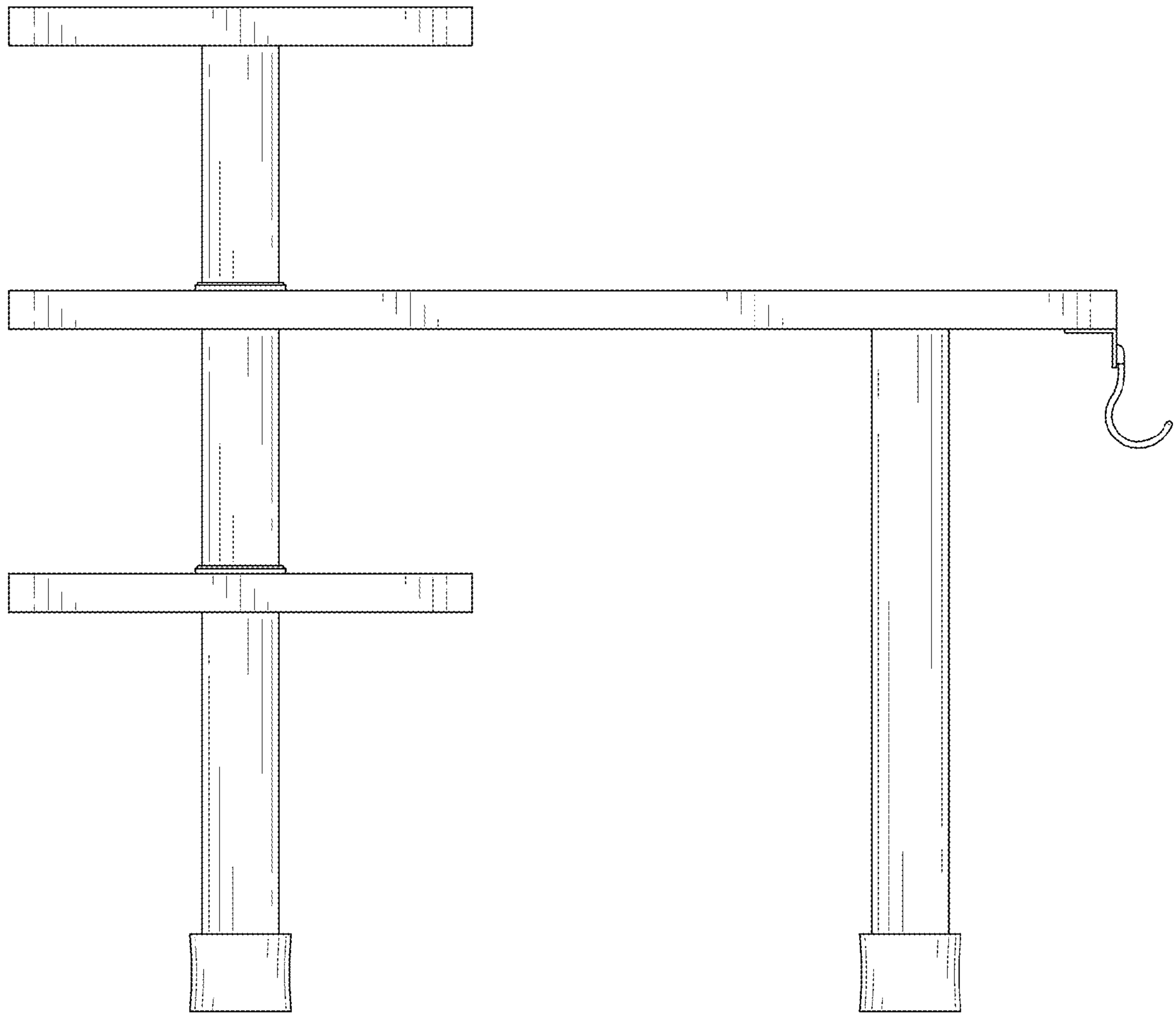


FIG. 3

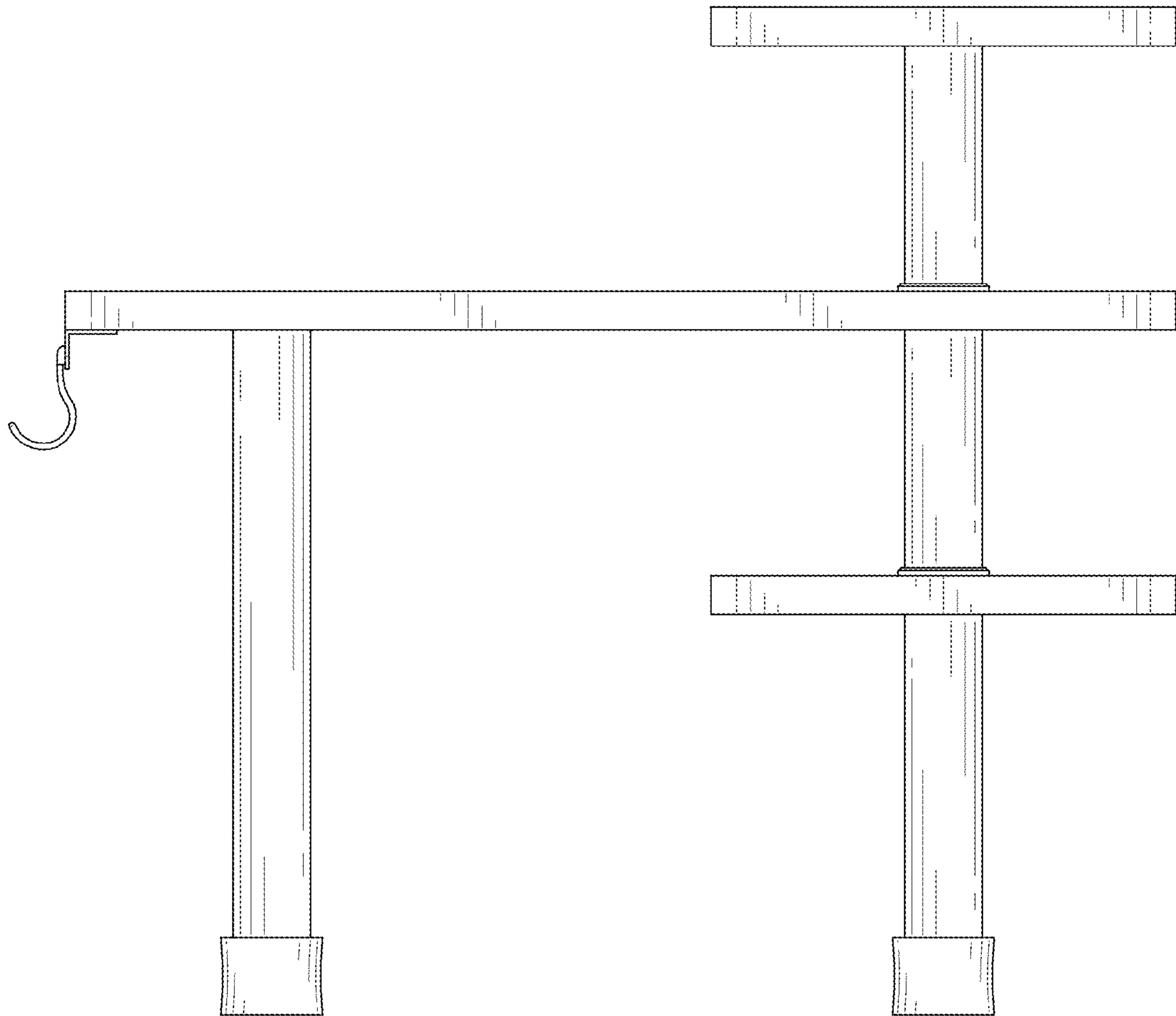


FIG. 4

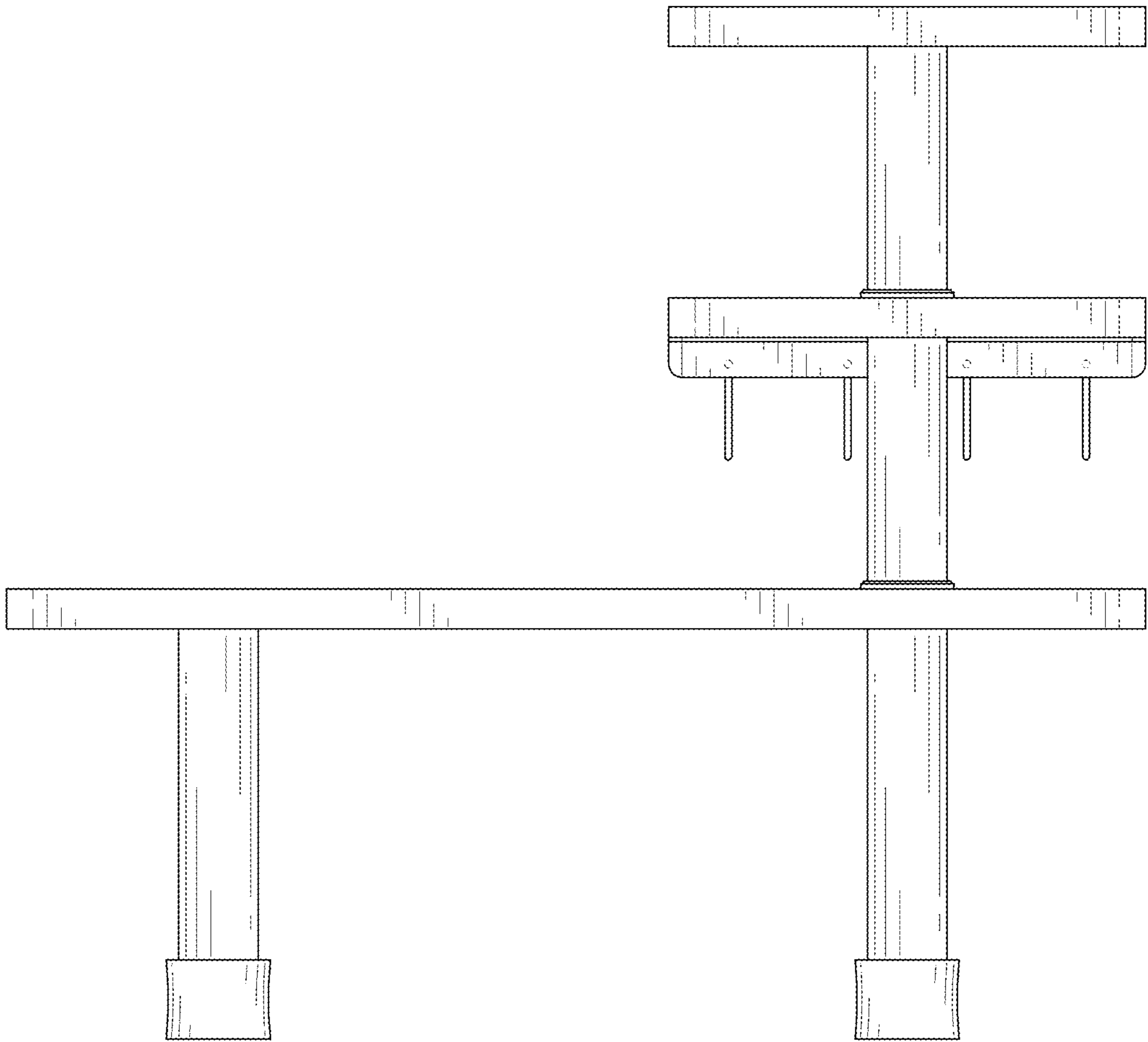


FIG. 5

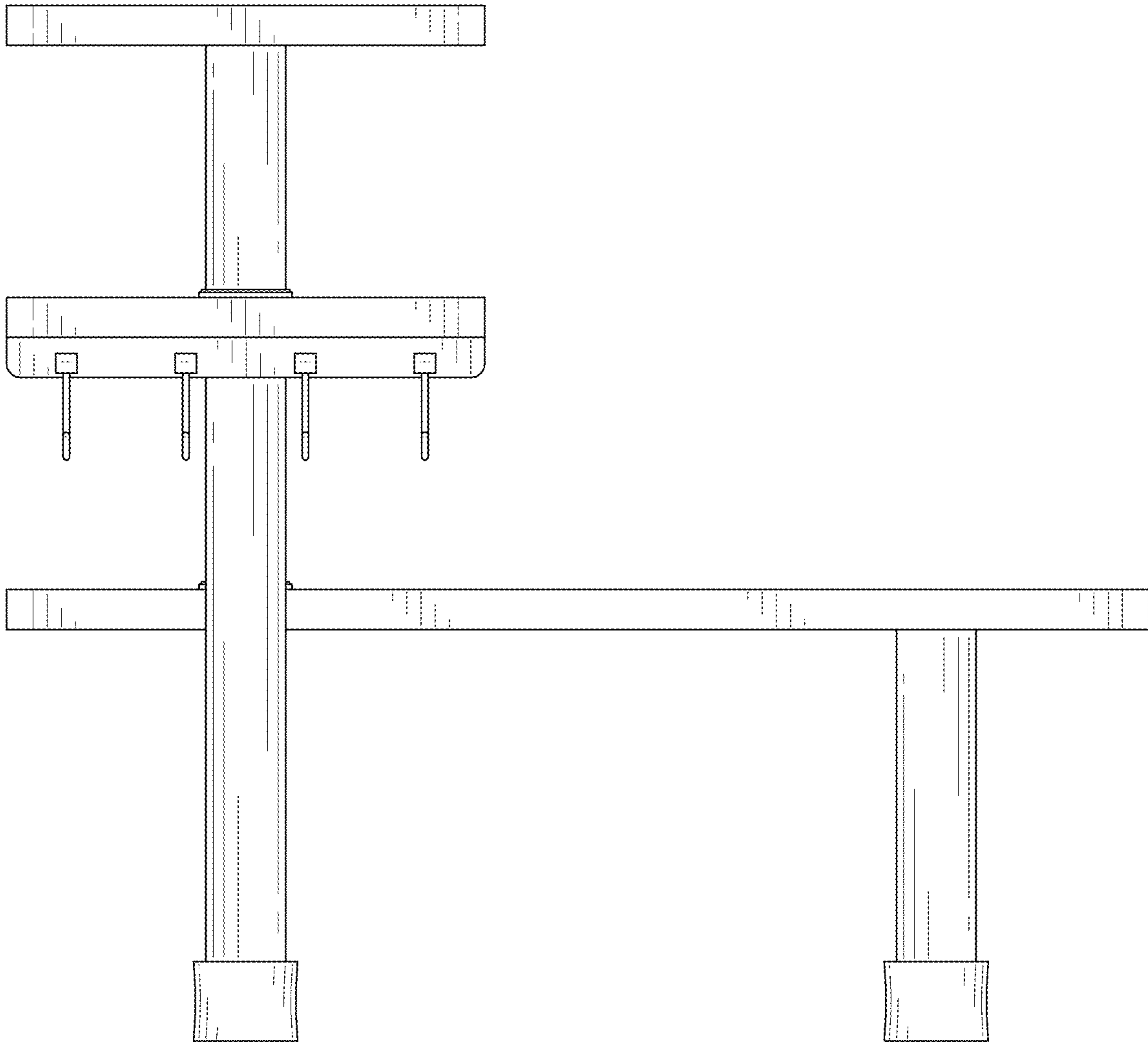


FIG. 6

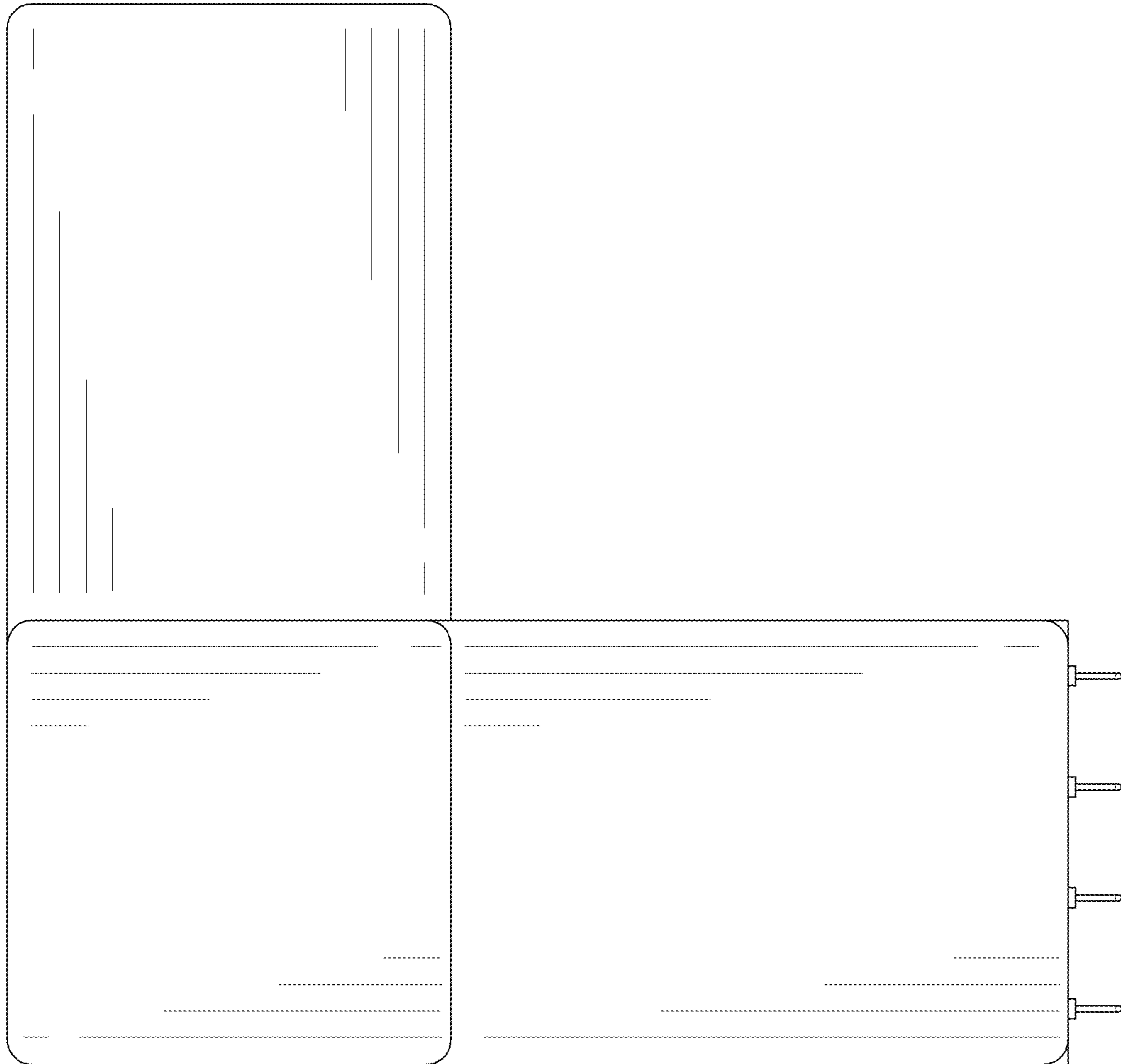


FIG. 7



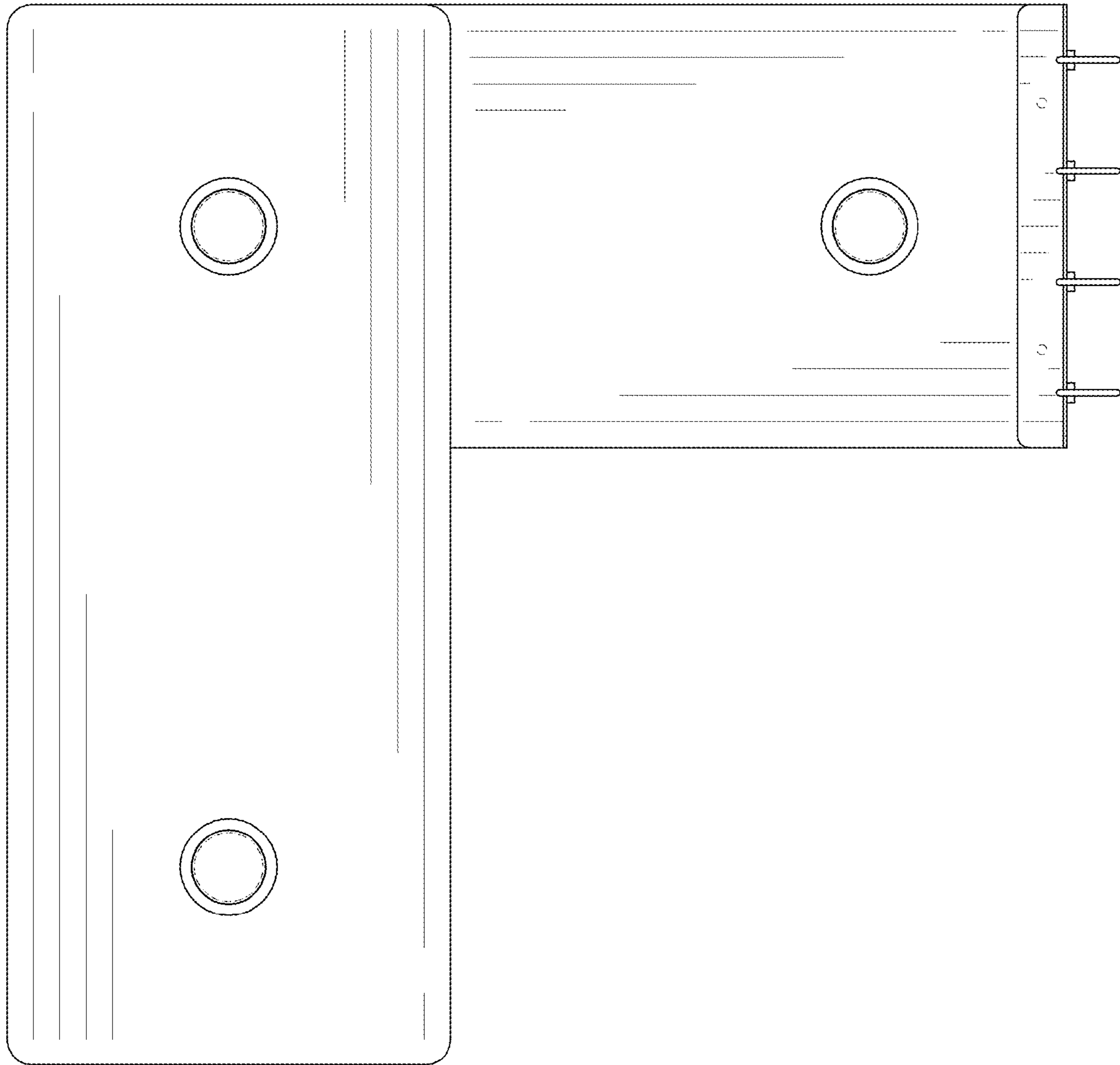


FIG. 8