



US00D914412S

(12) **United States Design Patent** (10) **Patent No.:** **US D914,412 S**
Angeles (45) **Date of Patent:** **** Mar. 30, 2021**

(54) **TRANSPARENT DISPLAY CASE**
(71) Applicant: **MM Enterprises USA, LLC**, Culver City, CA (US)
(72) Inventor: **Marianne Angeles**, Culver City, CA (US)
(73) Assignee: **MM Enterprises USA, LLC**, Culver City, CA (US)

D765,389 S * 9/2016 Martin D3/203.5
D812,939 S * 3/2018 Modlin D6/677
D814,831 S * 4/2018 Modlin D6/677
D859,894 S * 9/2019 Smith D6/682.1
D876,945 S * 3/2020 Smith D9/414
D891,253 S * 7/2020 Smith D9/504
D899,920 S * 10/2020 Smith D9/424
D902,028 S * 11/2020 Smith D9/428
D904,185 S * 12/2020 Smith D9/431
2017/0275075 A1 * 9/2017 Bamonte B65D 21/0219
2018/0362215 A1 * 12/2018 Whetsel B65D 25/54

* cited by examiner

(**) Term: **15 Years**

(21) Appl. No.: **29/698,653**

(22) Filed: **Jul. 18, 2019**

(51) **LOC (13) Cl.** **06-06**

(52) **U.S. Cl.**
USPC **D6/677**

(58) **Field of Classification Search**
USPC D6/677, 677.1, 672, 682, 682.1
CPC A47F 3/00; A47F 3/005; A47F 3/08; A47F 3/004; A47F 3/007; A47F 3/14; A47F 3/145; A63B 22/0605
See application file for complete search history.

(56) **References Cited**

U.S. PATENT DOCUMENTS

D292,887 S * 11/1987 Schouten D9/424
D322,323 S * 12/1991 Moir D24/224
D703,055 S * 4/2014 Park D9/504
D746,156 S * 12/2015 Bondioli D9/772
D756,226 S * 5/2016 In D9/504
D758,847 S * 6/2016 Stuart D9/428

Primary Examiner — Kelley A Donnelly
(74) *Attorney, Agent, or Firm* — Kevin Sobreven; Anooj Patel; Hankin Patent Law, APC

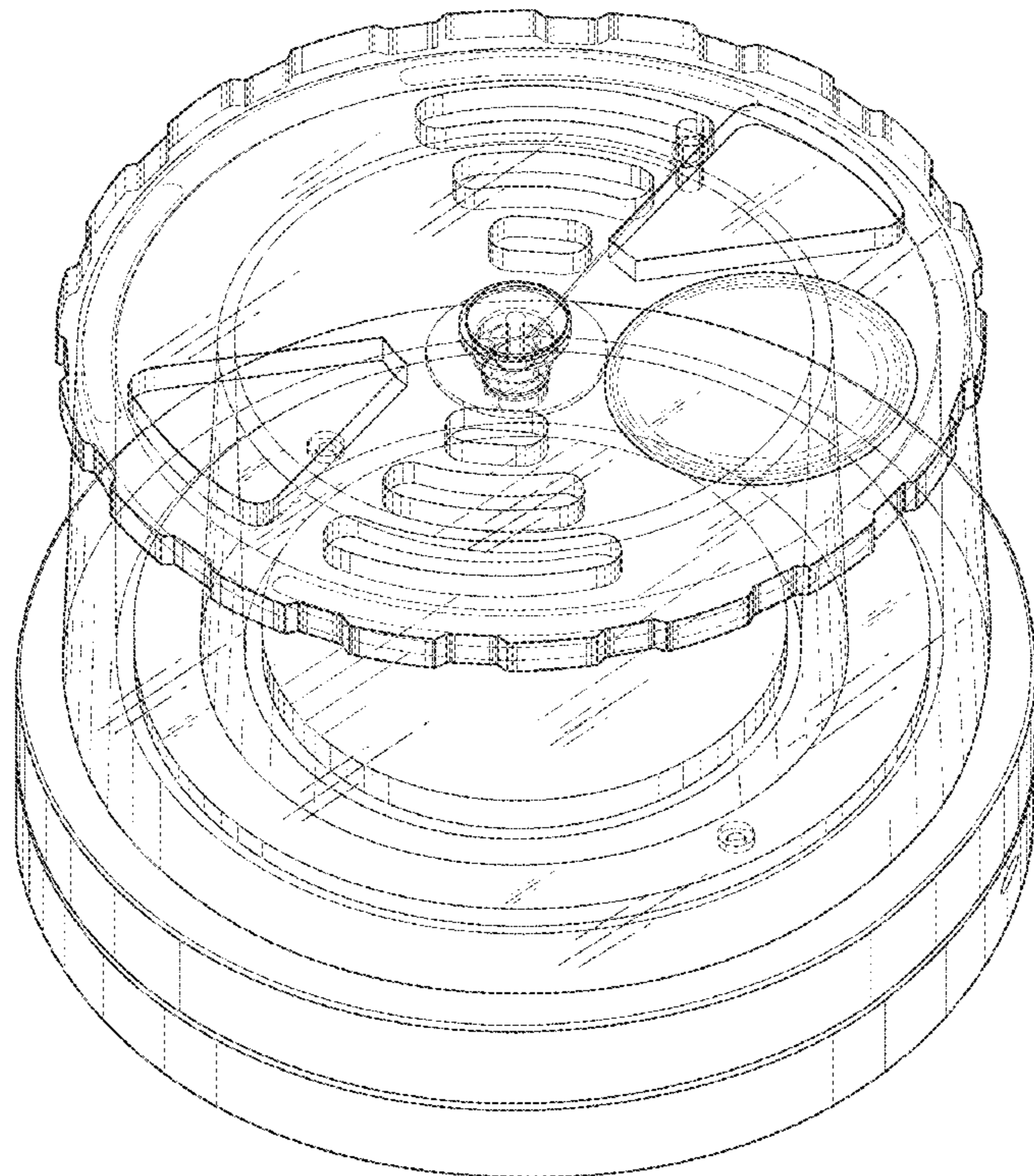
(57) **CLAIM**

The ornamental design for a transparent display case, as shown and described.

DESCRIPTION

FIG. 1 is a top perspective view of a transparent display case, showing my new design.
FIG. 2 is a bottom perspective view thereof.
FIG. 3 is a front elevational view thereof.
FIG. 4 is a rear elevational view thereof.
FIG. 5 is a right side elevational view thereof.
FIG. 6 is a left side elevational view thereof.
FIG. 7 is a top plan view thereof; and,
FIG. 8 is a bottom plan view thereof.

1 Claim, 8 Drawing Sheets



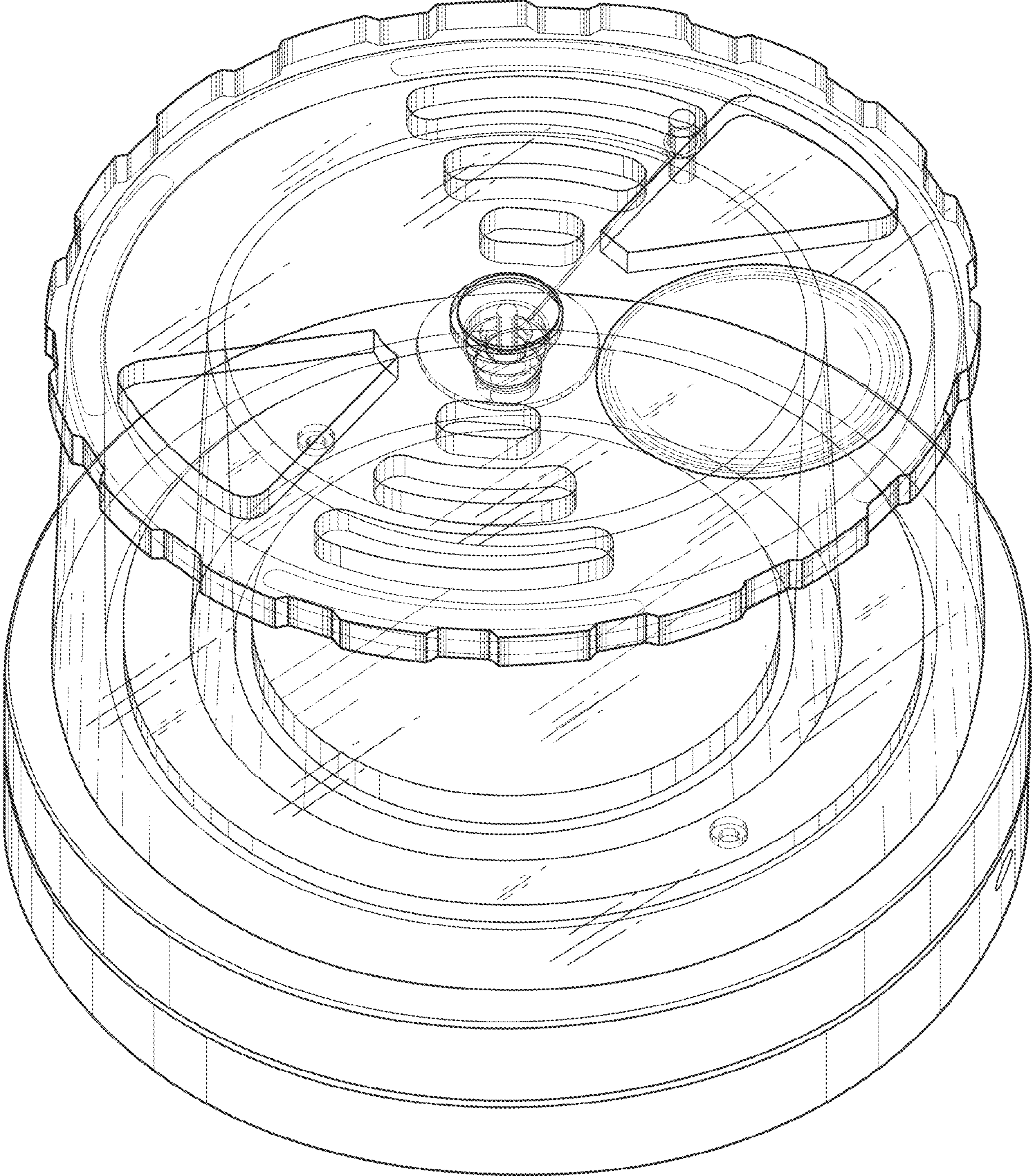


Fig. 1

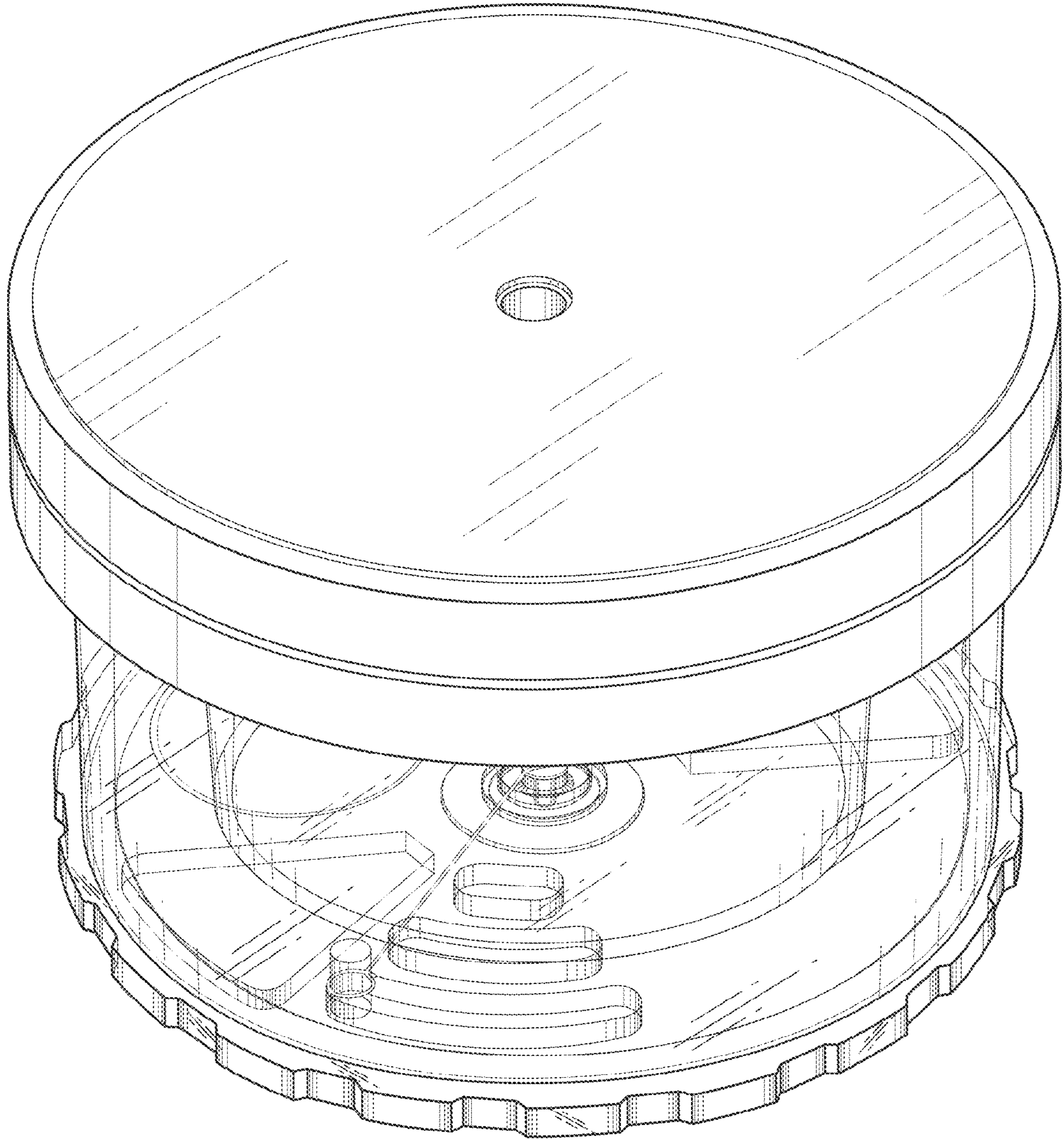


Fig.2

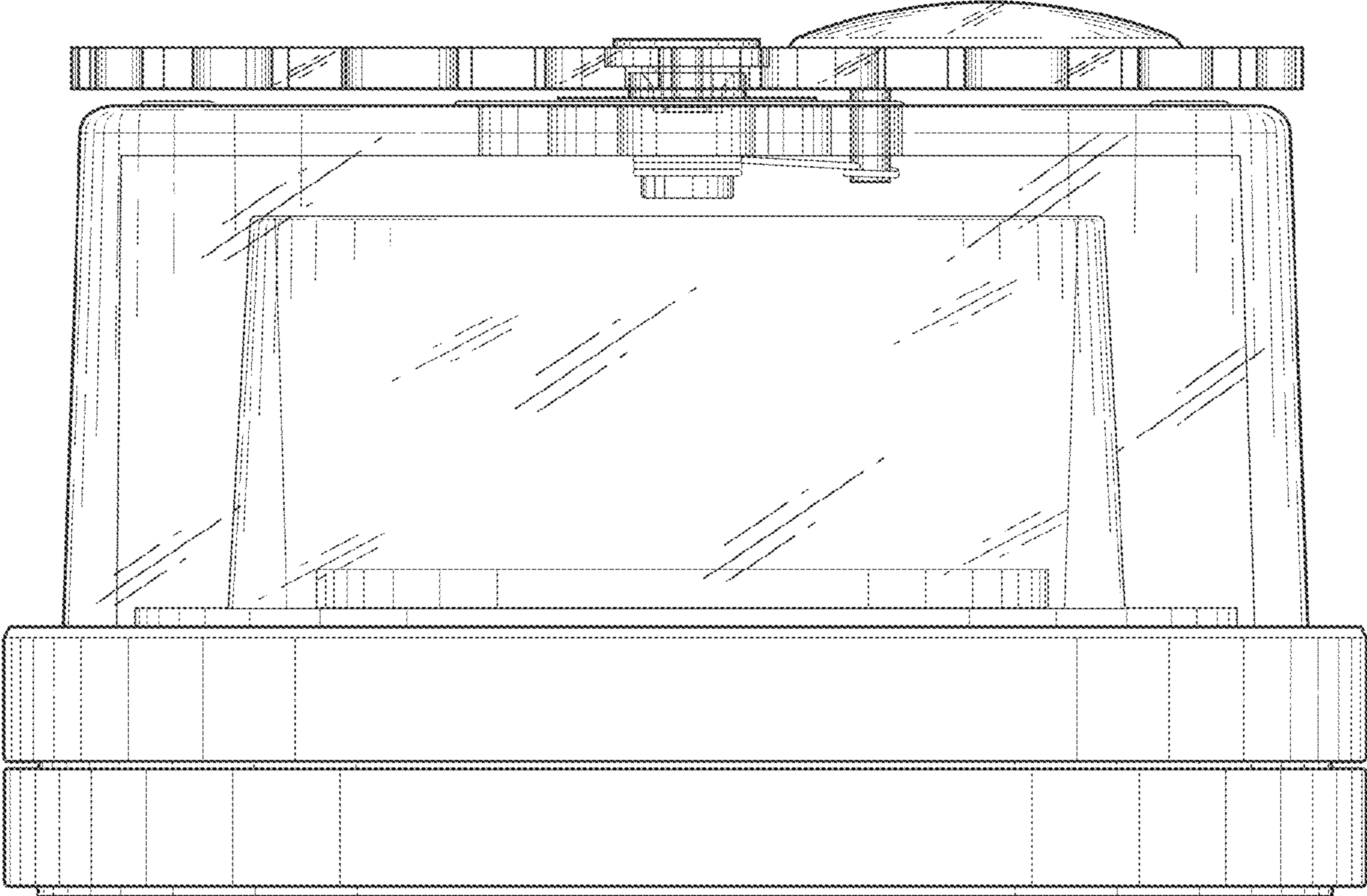


Fig.3

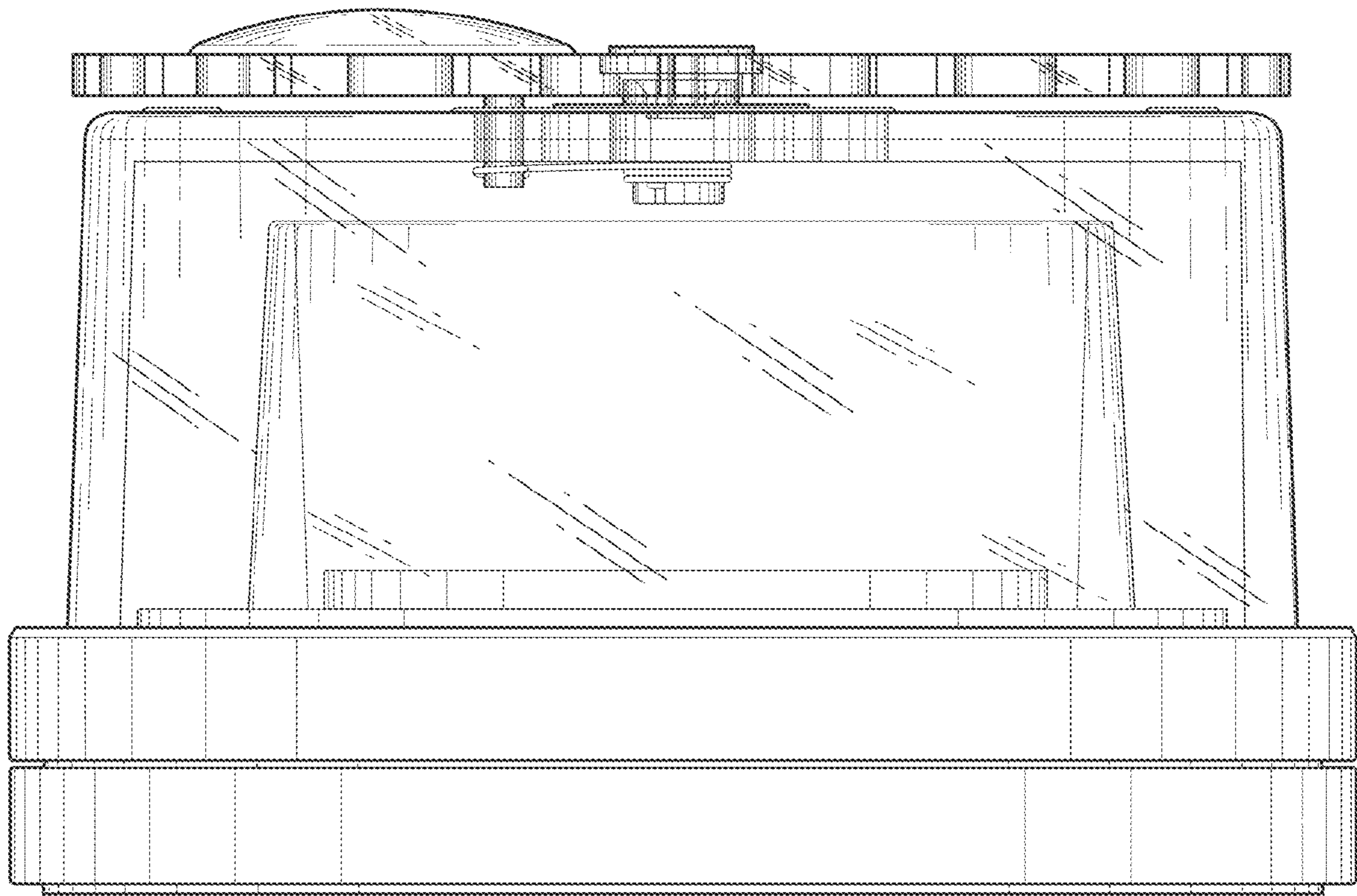


Fig.4

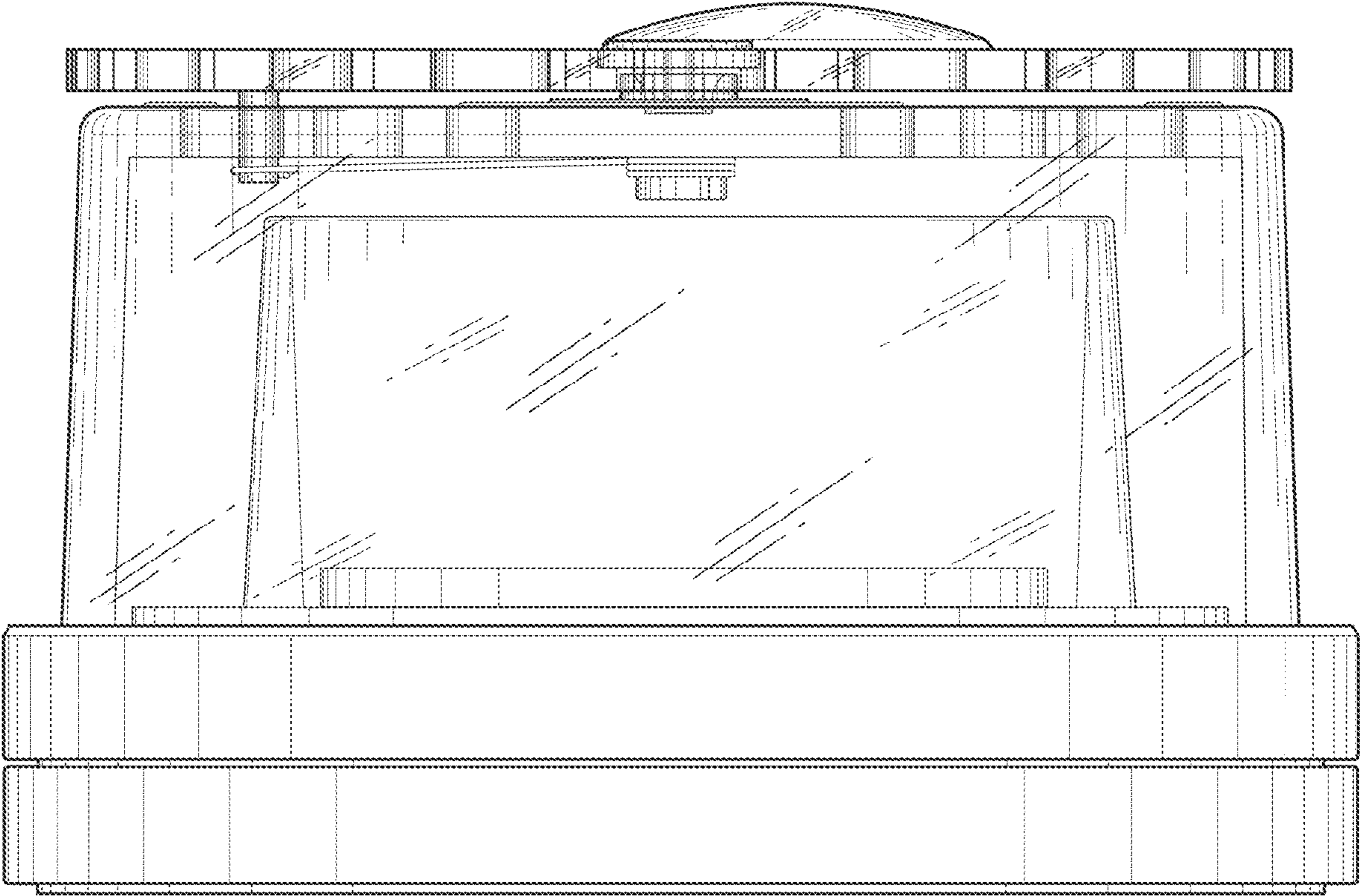


Fig. 5

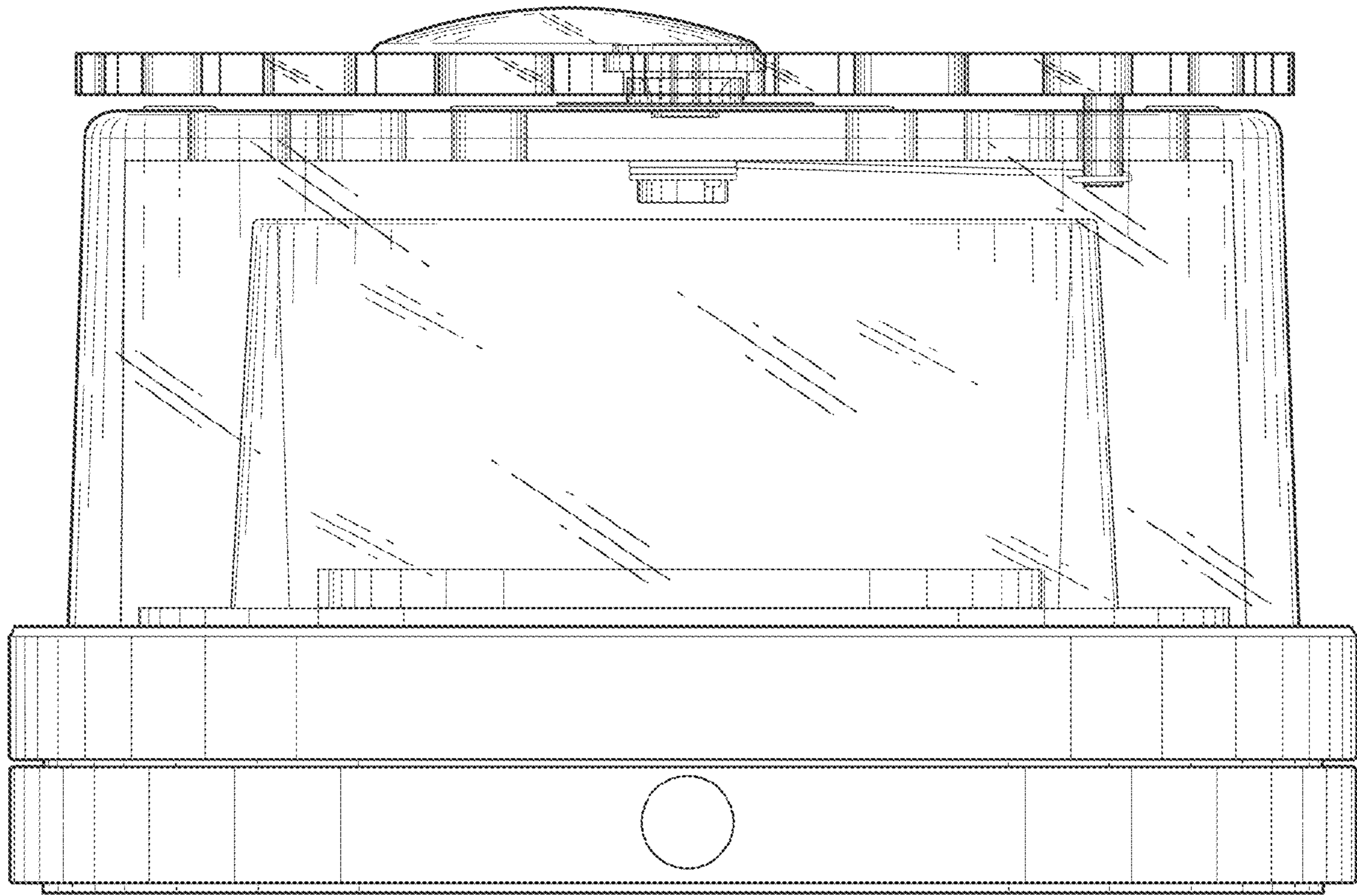


Fig.6

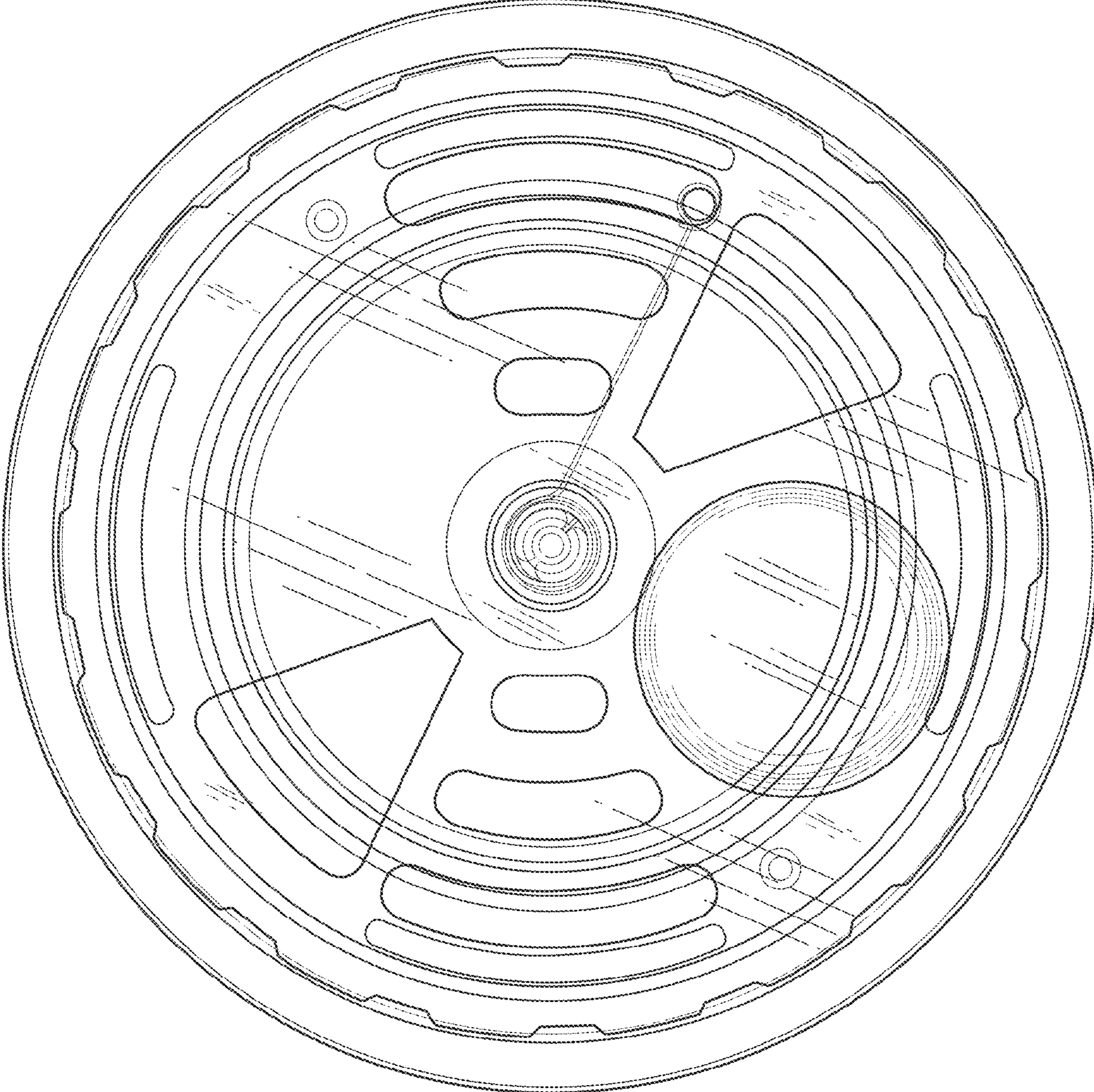


Fig. 7



Fig.8