



US00D914411S

(12) **United States Design Patent** (10) **Patent No.:** **US D914,411 S**  
**Lu** (45) **Date of Patent:** **\*\* Mar. 30, 2021**

(54) **CABINET**

(71) Applicant: **SHENZHEN PRIME TECHNOLOGY CO., LTD**, Shenzhen (CN)

(72) Inventor: **Chengan Lu**, Shenzhen (CN)

(73) Assignee: **SHENZHEN PRIME TECHNOLOGY CO., LTD**, Shenzhen (CN)

(\*\*) Term: **15 Years**

(21) Appl. No.: **29/751,902**

(22) Filed: **Sep. 24, 2020**

(51) **LOC (13) Cl.** ..... **06-06**

(52) **U.S. Cl.**  
USPC ..... **D6/675.4**

(58) **Field of Classification Search**  
USPC ..... D6/672, 675, 675.1, 675.4, 678, 678.1, 678.2, 678.3  
CPC ..... A47B 63/00; A47B 96/02; A47B 43/00; A47B 47/00  
See application file for complete search history.

(56) **References Cited**

**U.S. PATENT DOCUMENTS**

1,648,277	A *	11/1927	Korb	.....	A47B 47/00
					312/107
D109,489	S *	5/1938	Lacy	.....	D6/675.1
2,366,677	A *	1/1945	Rosenthal	.....	A47B 47/042
					108/60
D160,830	S *	11/1950	Aron	.....	D6/675.4
D161,774	S *	1/1951	McCowan	.....	D6/675.3
D173,627	S *	12/1954	Nichols	.....	D6/678.3

D186,005	S *	8/1959	Hosley	.....	D6/683.1
D240,584	S *	7/1976	McGrann	.....	D6/675.1
D249,215	S *	9/1978	Offredi	.....	D6/662.1
D257,104	S *	9/1980	Fortuin	.....	D6/675.4
D291,166	S *	8/1987	Morris	.....	D6/683.1
D337,673	S *	7/1993	Goetz	.....	D6/675.4
D358,281	S *	5/1995	Moher	.....	D6/678.3
D364,258	S *	11/1995	Whittington	.....	D34/21
D389,657	S *	1/1998	Sigal	.....	D6/675.4
D424,332	S *	5/2000	Skrzelowksi	.....	D6/675.3
D741,630	S *	10/2015	Meissner	.....	D6/675.1
D777,430	S	1/2017	Thomas		
D825,922	S	8/2018	He		
D844,352	S *	4/2019	Felsenthal	.....	D6/675.4
D903,386	S *	12/2020	Smrstick	.....	D6/675.1

\* cited by examiner

*Primary Examiner* — Kelley A Donnelly

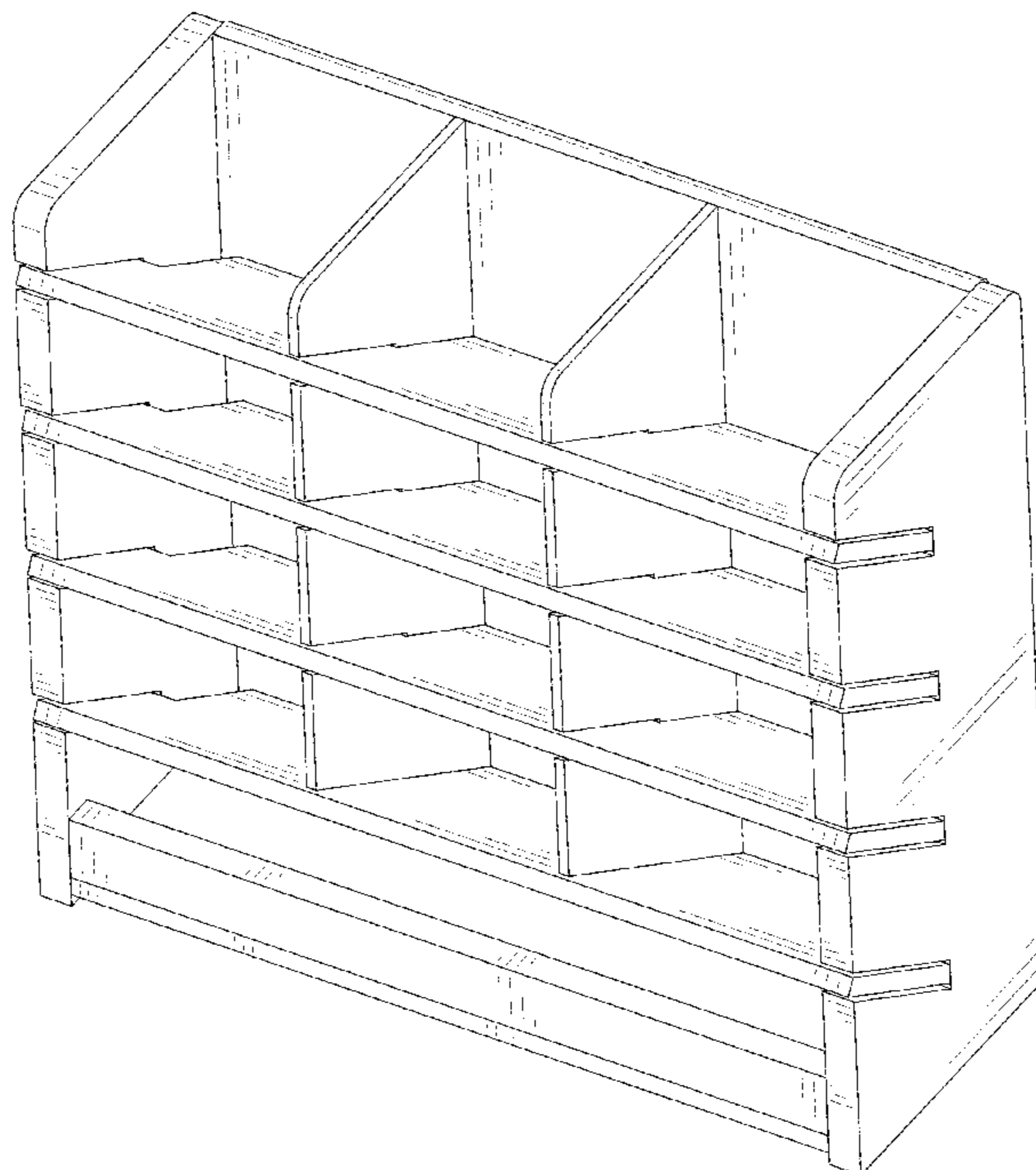
(57) **CLAIM**

The ornamental design for a cabinet, as shown and described.

**DESCRIPTION**

FIG. 1 is a perspective view of a cabinet showing my new design;  
FIG. 2 is another perspective view thereof;  
FIG. 3 is a front elevational view thereof;  
FIG. 4 is a rear elevational view thereof;  
FIG. 5 is a left side elevational view thereof;  
FIG. 6 is a right side elevational view thereof;  
FIG. 7 is a top plan view thereof;  
FIG. 8 is a bottom plan view thereof; and,  
FIG. 9 is a perspective view of the cabinet where the cabinet is in a configuration of use.  
The broken lines in the drawings depict portions of the cabinet that form no part of the claimed design.

**1 Claim, 9 Drawing Sheets**



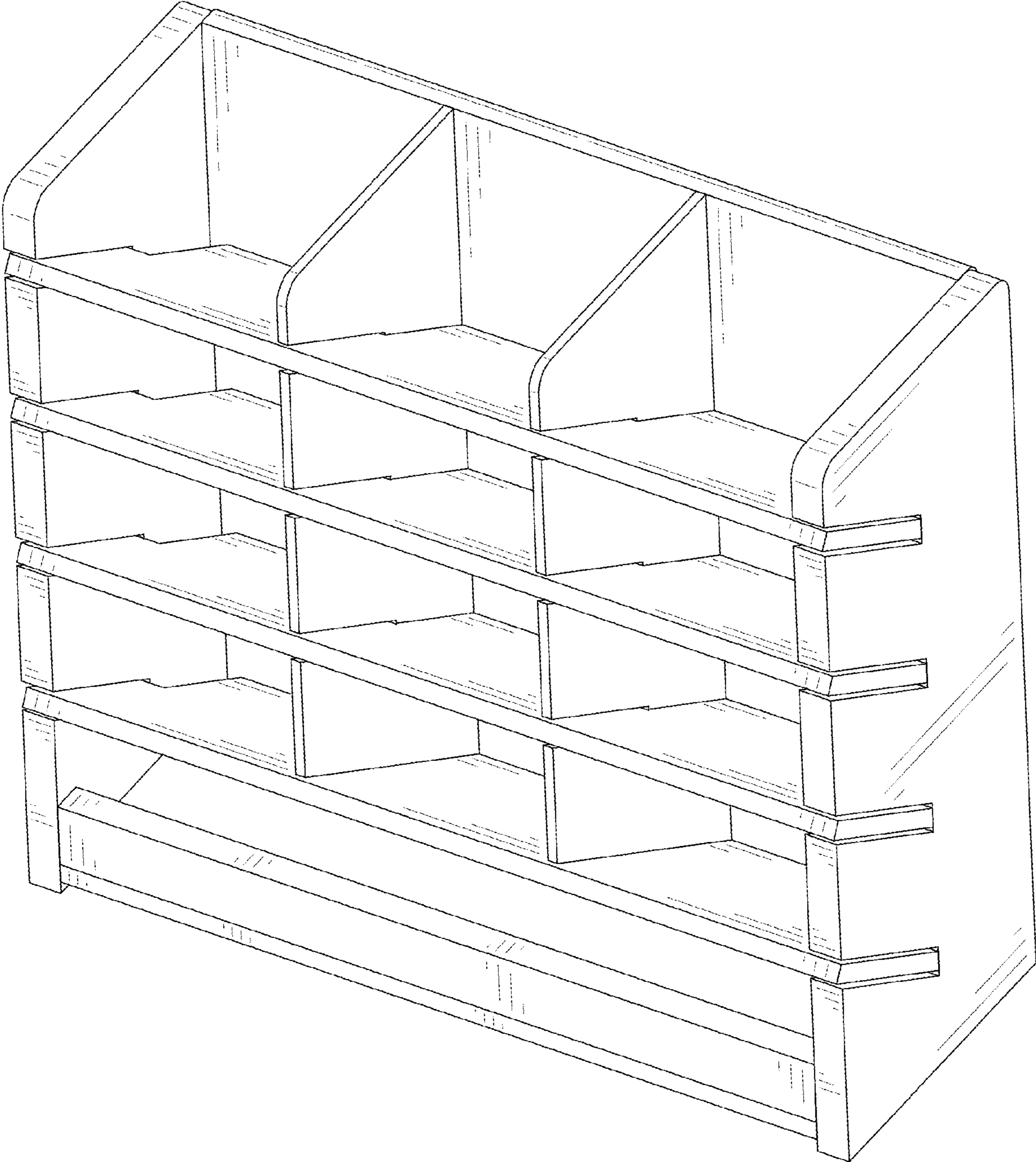


FIG. 1

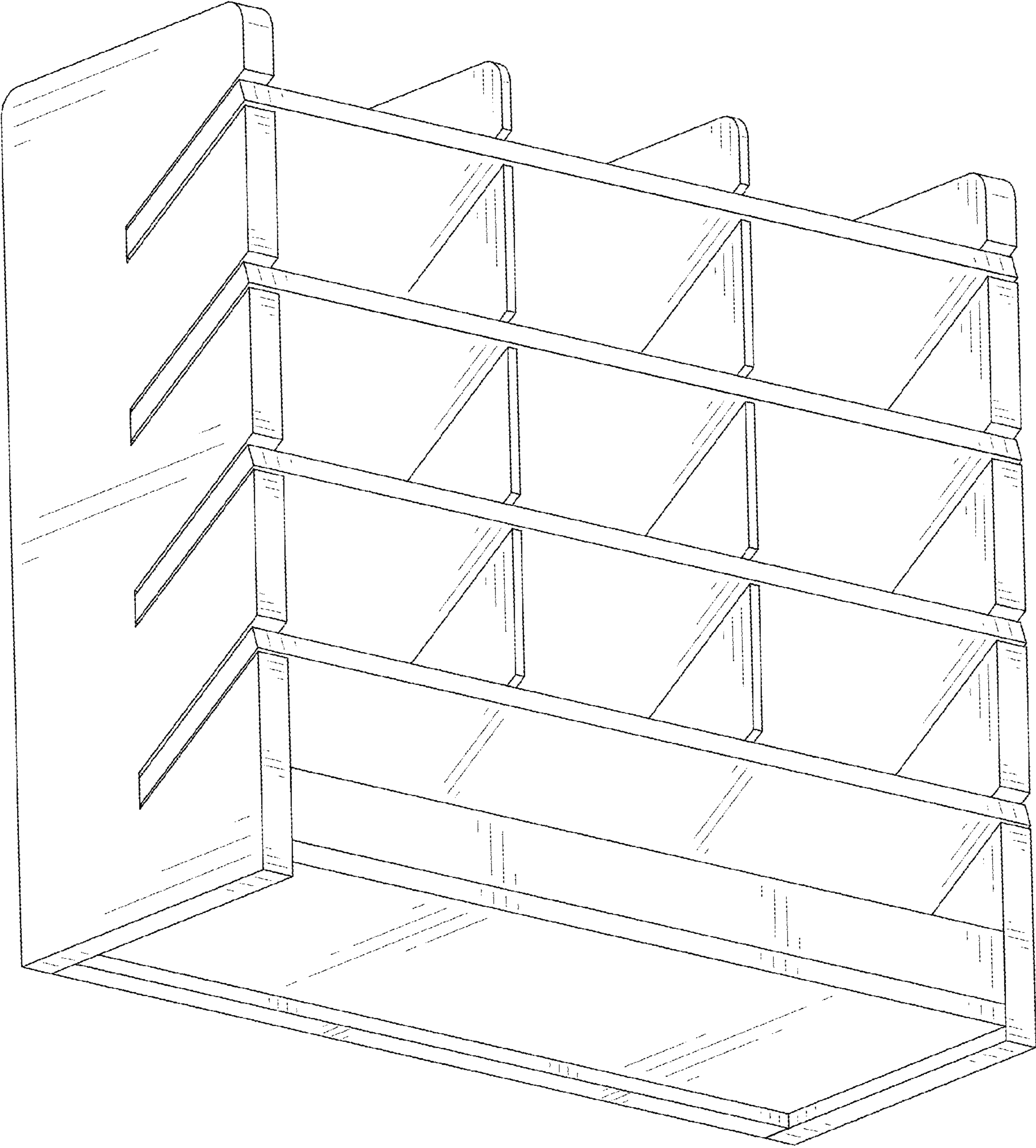


FIG. 2

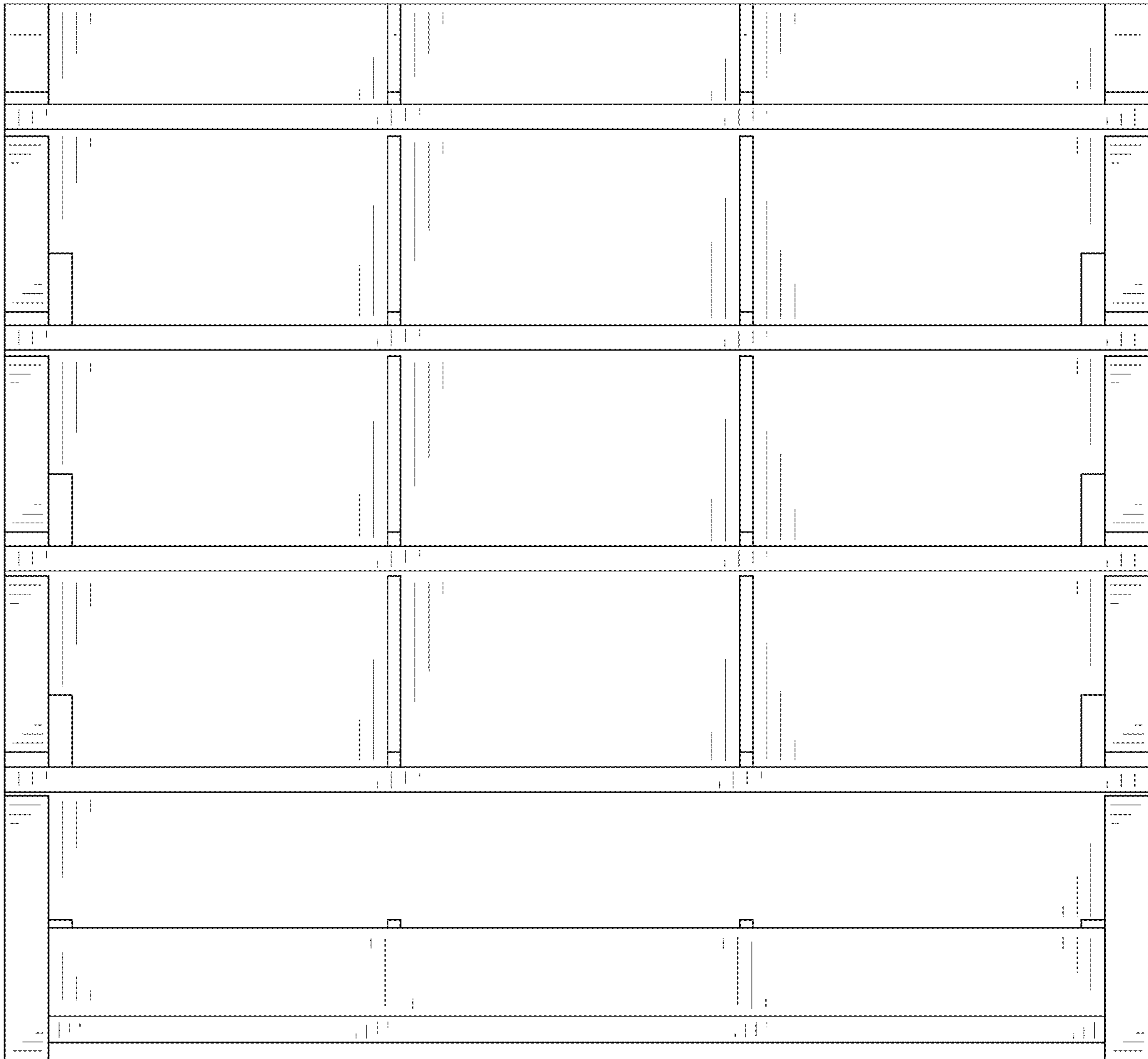


FIG. 3

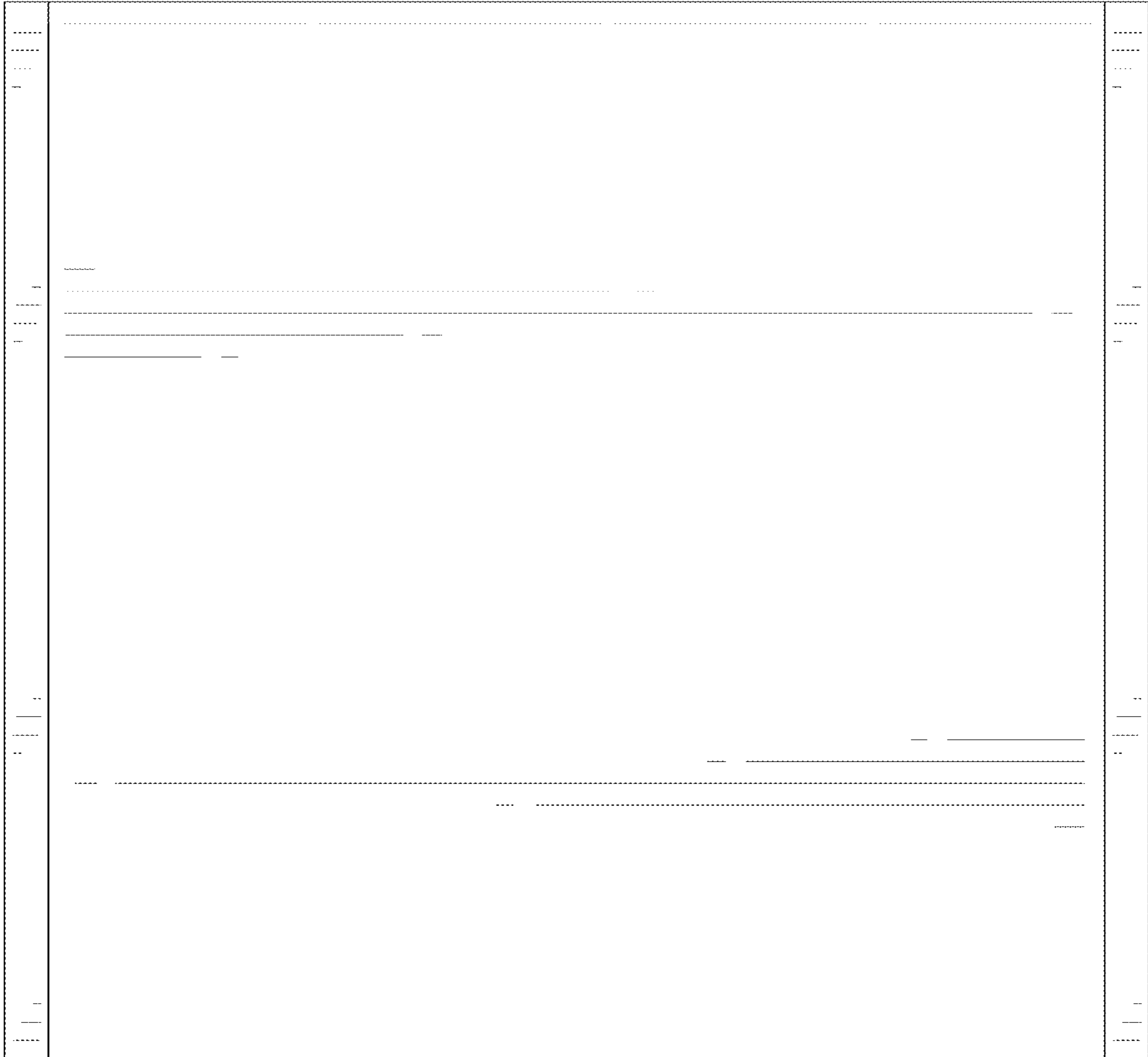


FIG. 4

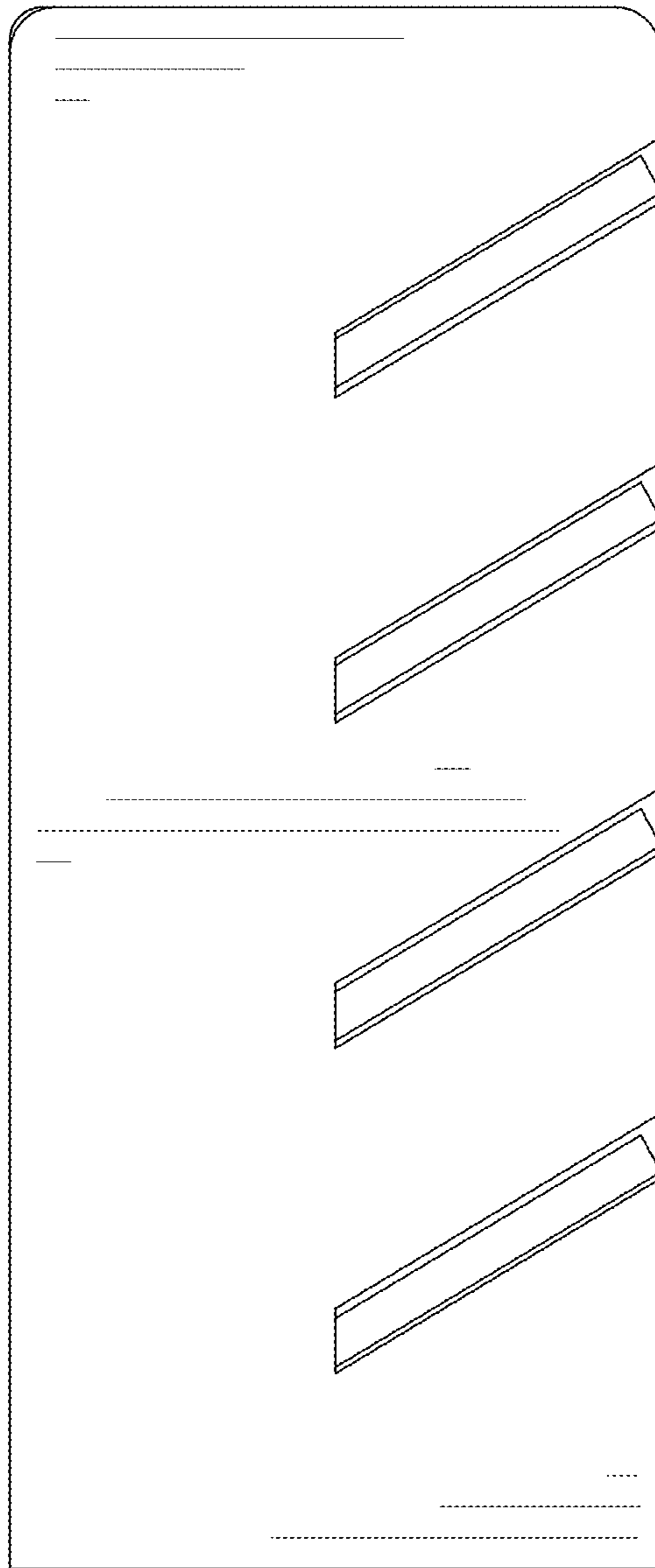


FIG. 5

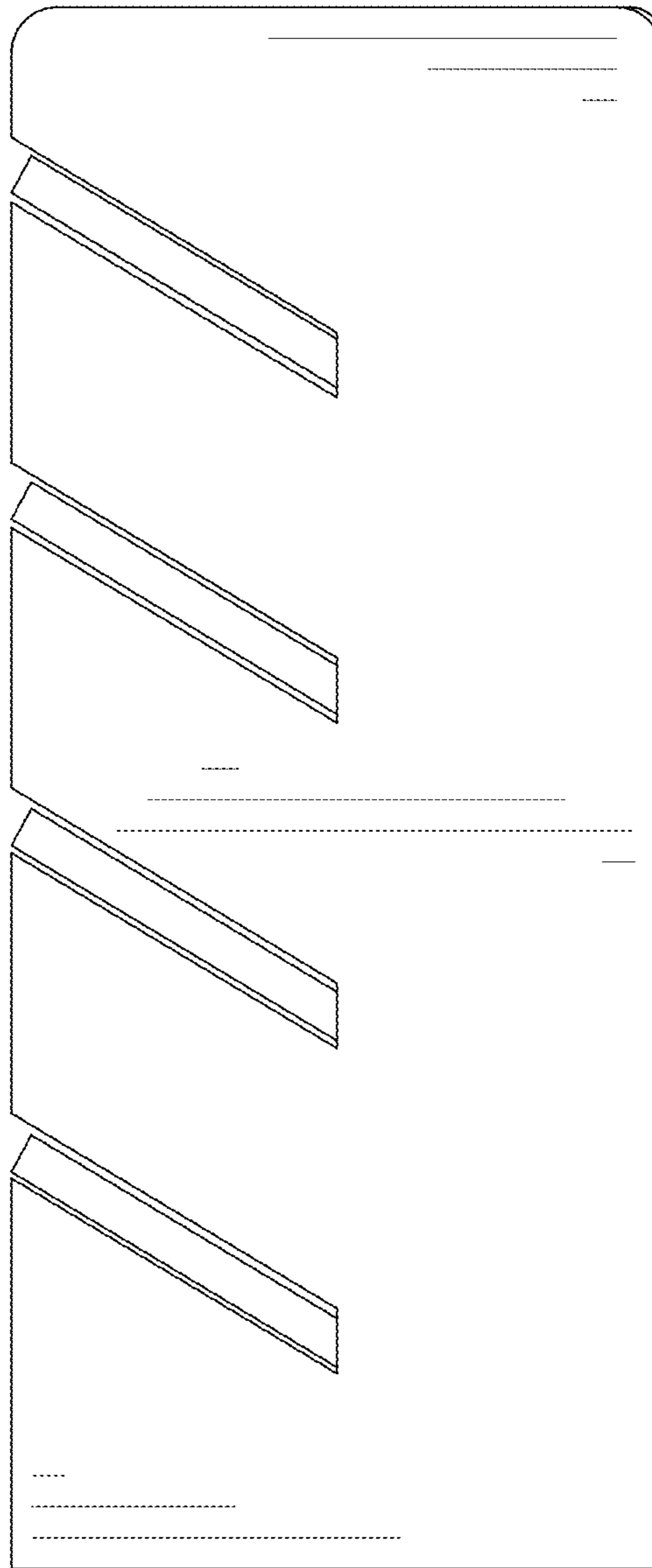


FIG. 6

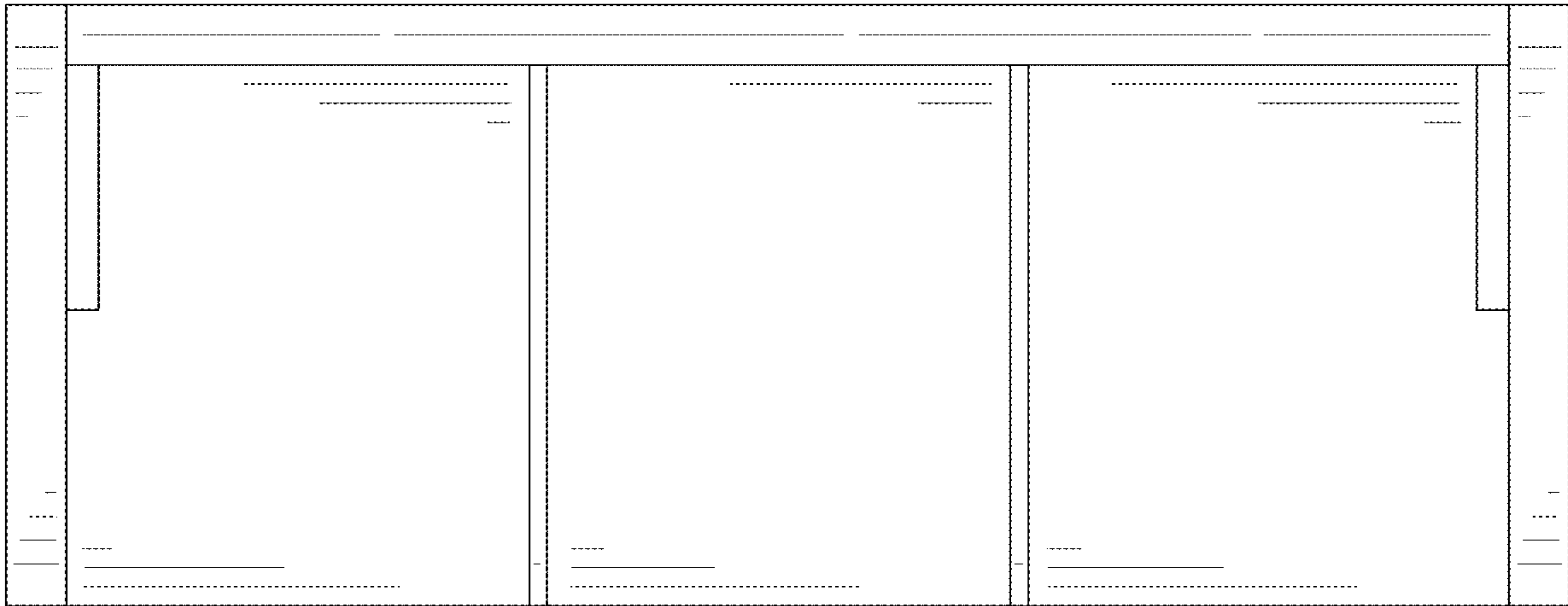


FIG. 7



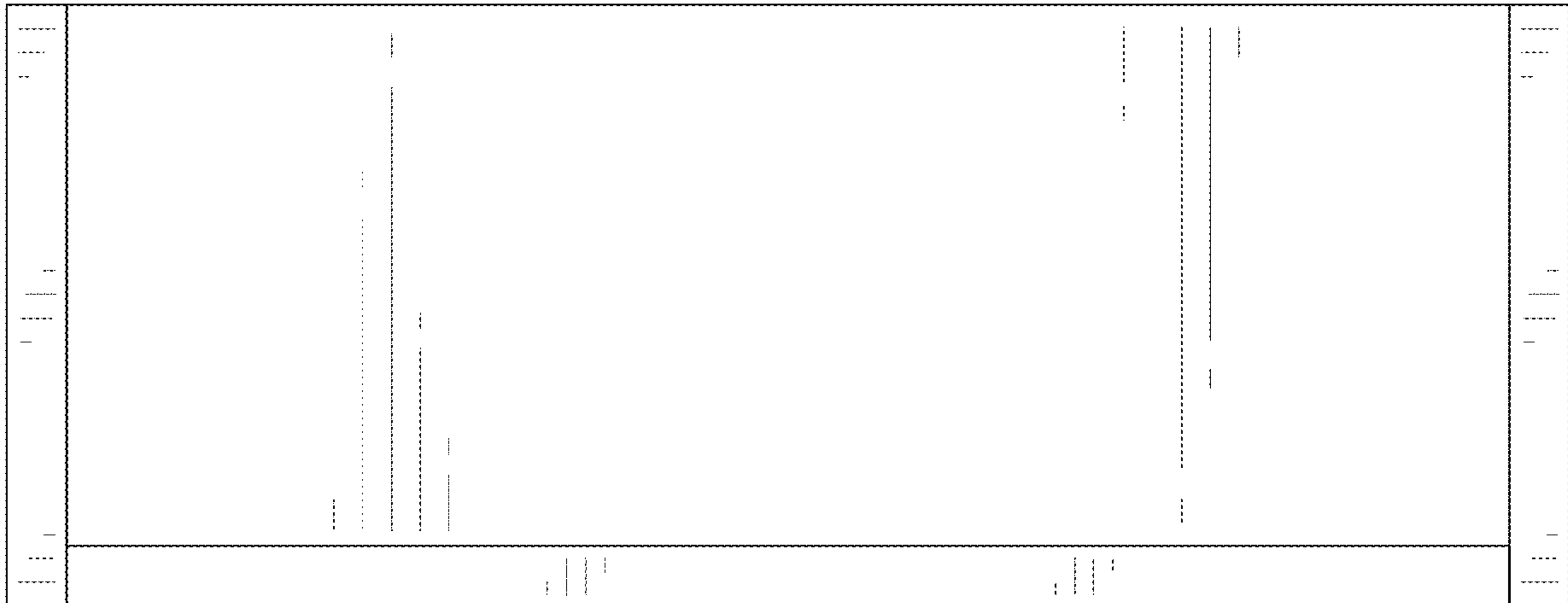


FIG. 8

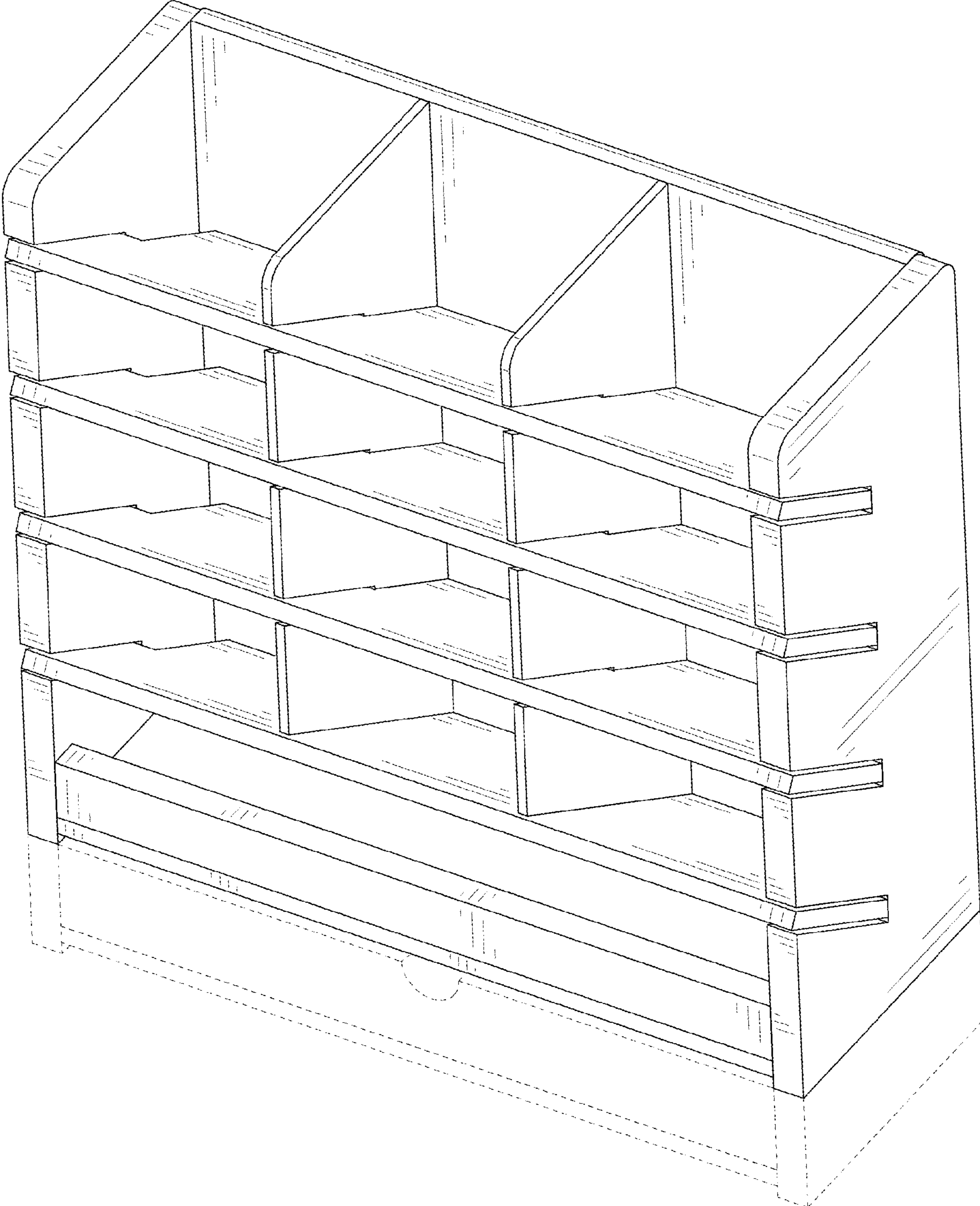


FIG. 9