



US00D914410S

(12) **United States Design Patent**
Lo

(10) **Patent No.:** **US D914,410 S**
(45) **Date of Patent:** **** Mar. 30, 2021**

(54) **SHELF FOR BOOKS OR NEWSPAPERS**

(71) Applicant: **Ten Square Inc**, Bethpage, NY (US)

(72) Inventor: **Feng-Jung Lo**, Bethpage, NY (US)

(73) Assignee: **Ten Square Inc**, Bethpage, NY (US)

(**) Term: **15 Years**

(21) Appl. No.: **29/699,042**

(22) Filed: **Jul. 23, 2019**

(51) **LOC (13) Cl.** **06-06**

(52) **U.S. Cl.**
USPC **D6/675.3**

(58) **Field of Classification Search**
USPC D6/672, 675, 675.2, 675.1, 675.3;
D7/600.1, 600.4
CPC A47B 53/00; A47B 63/00; A47B 63/02;
A47F 5/0018; A47F 5/0006; A47F
5/0807; A47F 5/0876; A47F 7/16
See application file for complete search history.

(56) **References Cited**

U.S. PATENT DOCUMENTS

- 2,333,717 A * 11/1943 Heed A47F 5/0037
312/50
- D293,399 S * 12/1987 Persitza D6/672
- D294,899 S * 3/1988 Anderson, III D6/570
- 5,009,335 A * 4/1991 Jonker A47F 7/145
211/128.1
- D338,575 S * 8/1993 Takaya D6/682.4

- D340,156 S * 10/1993 Bonazza D6/683.1
- D381,362 S * 7/1997 Meyer D19/86
- D422,432 S * 4/2000 Ray D6/682.4
- D468,559 S * 1/2003 Hollingsworth D6/682.2
- 6,955,268 B2 * 10/2005 Waldron A47F 7/145
211/194
- D526,826 S * 8/2006 Franklin D6/630
- D532,218 S * 11/2006 Caldwell D6/675.4
- D591,085 S * 4/2009 Burns D6/681.1
- D873,588 S * 1/2020 Xiaojun D6/675.3

* cited by examiner

Primary Examiner — Kelley A Donnelly

(74) *Attorney, Agent, or Firm* — Alan D. Kamrath; Mayer & Williams PC

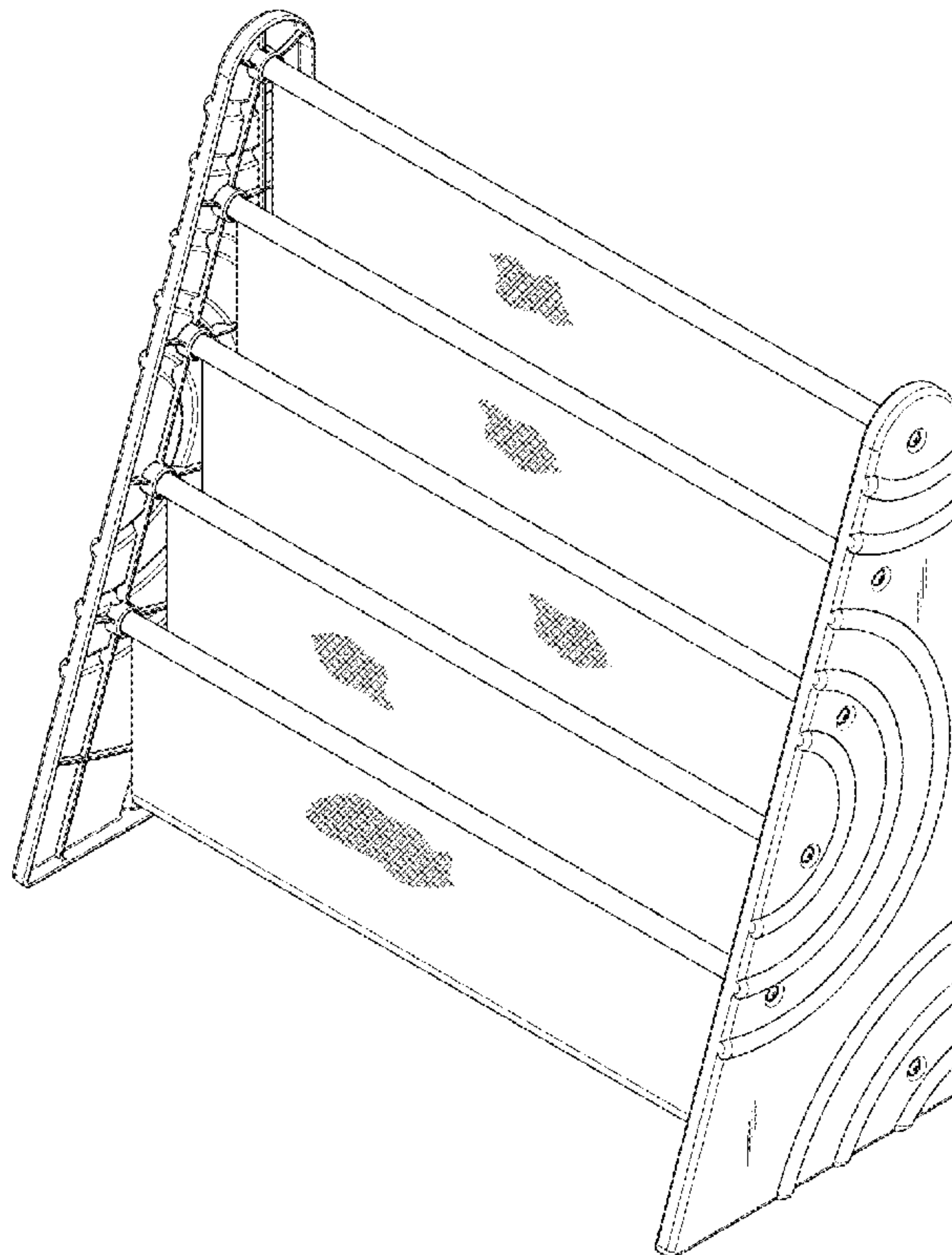
(57) **CLAIM**

The ornamental design for a shelf for books or newspaper, as shown and described.

DESCRIPTION

FIG. 1 is a perspective view of a shelf for books or newspaper showing my design.
 FIG. 2 is a front elevational view thereof.
 FIG. 3 is a rear elevational view thereof.
 FIG. 4 is a left side elevational view thereof.
 FIG. 5 is a right side elevational view thereof.
 FIG. 6 is a top plan view thereof; and,
 FIG. 7 is a bottom plan view thereof.

1 Claim, 7 Drawing Sheets



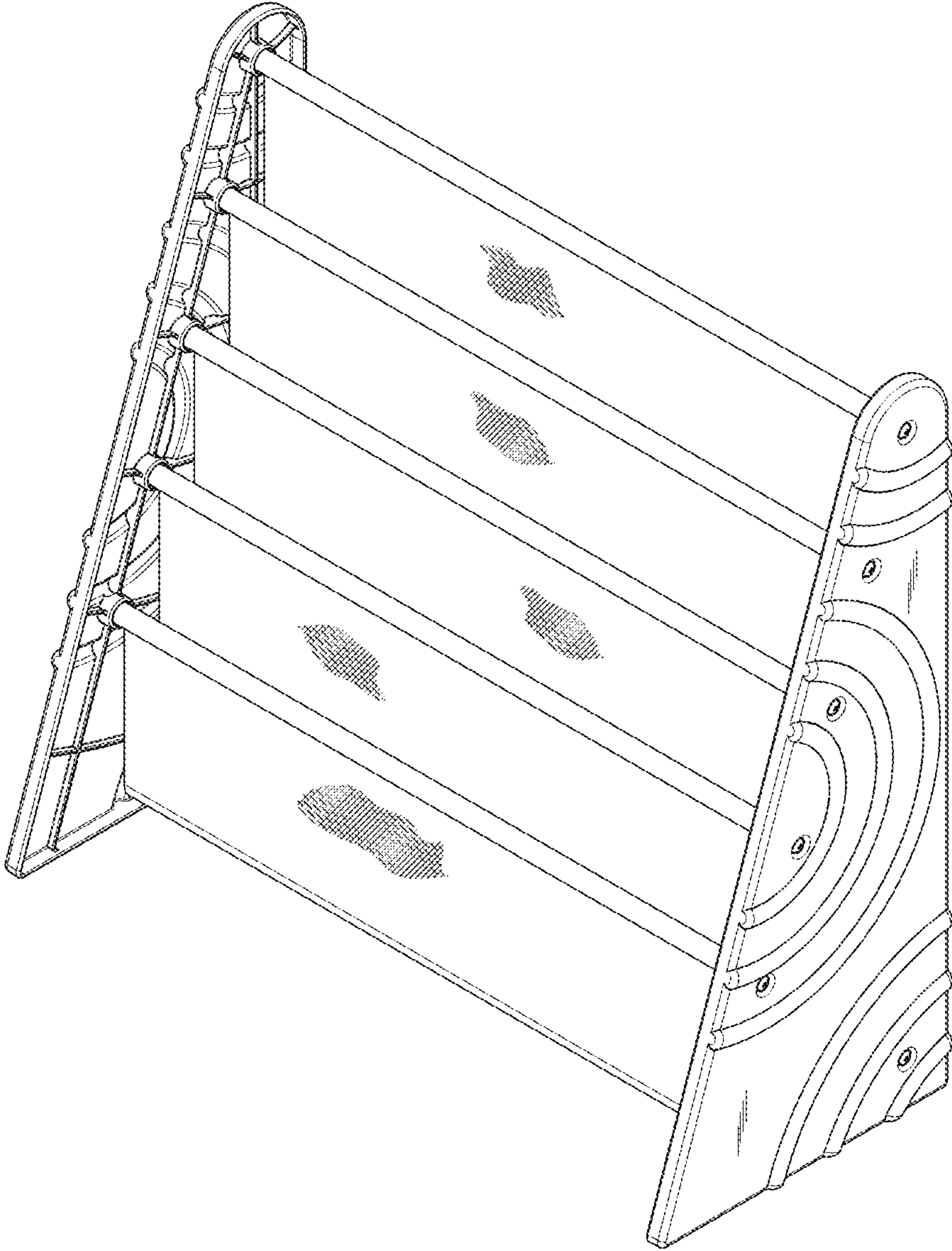


FIG. 1

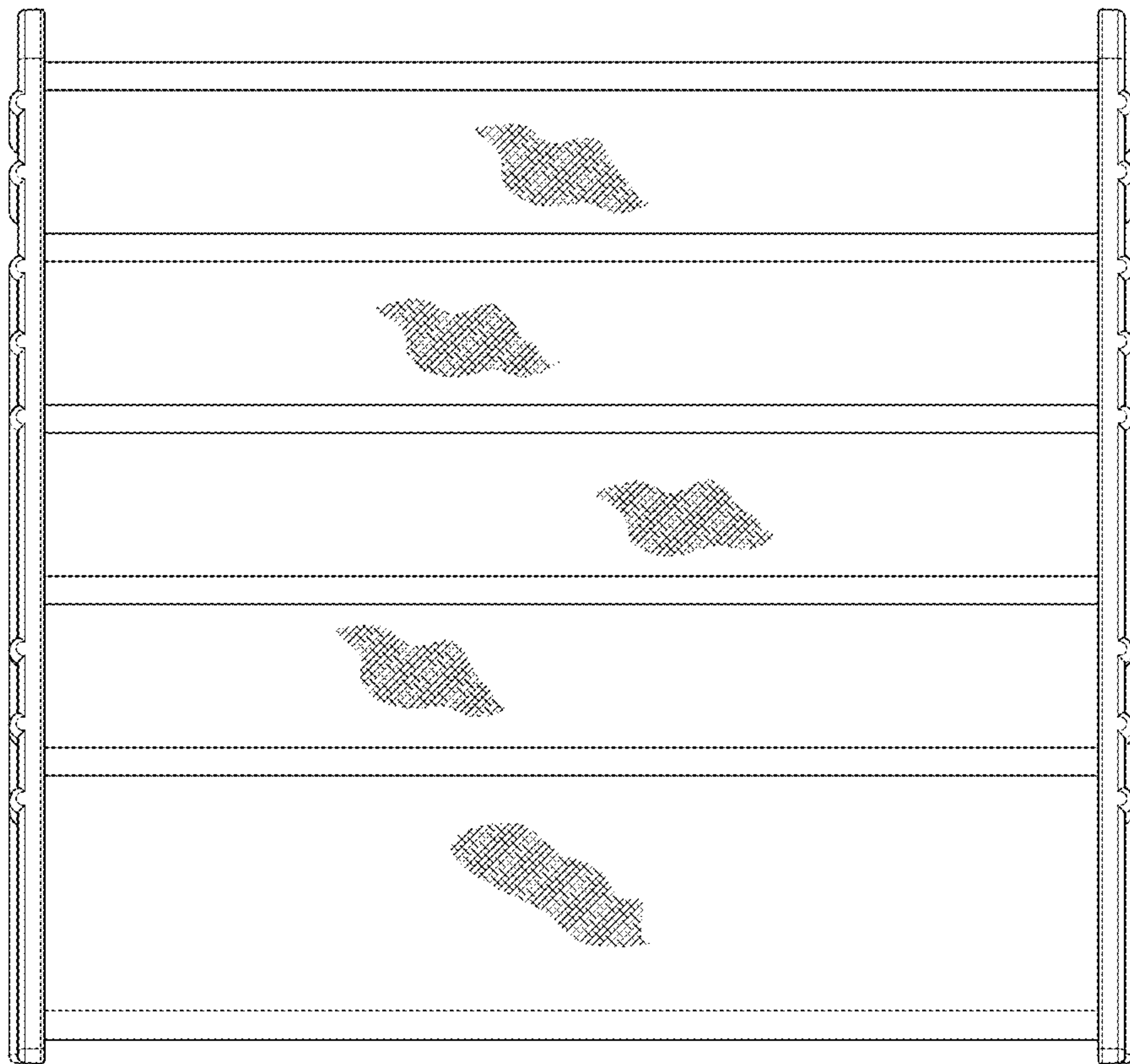


FIG. 2

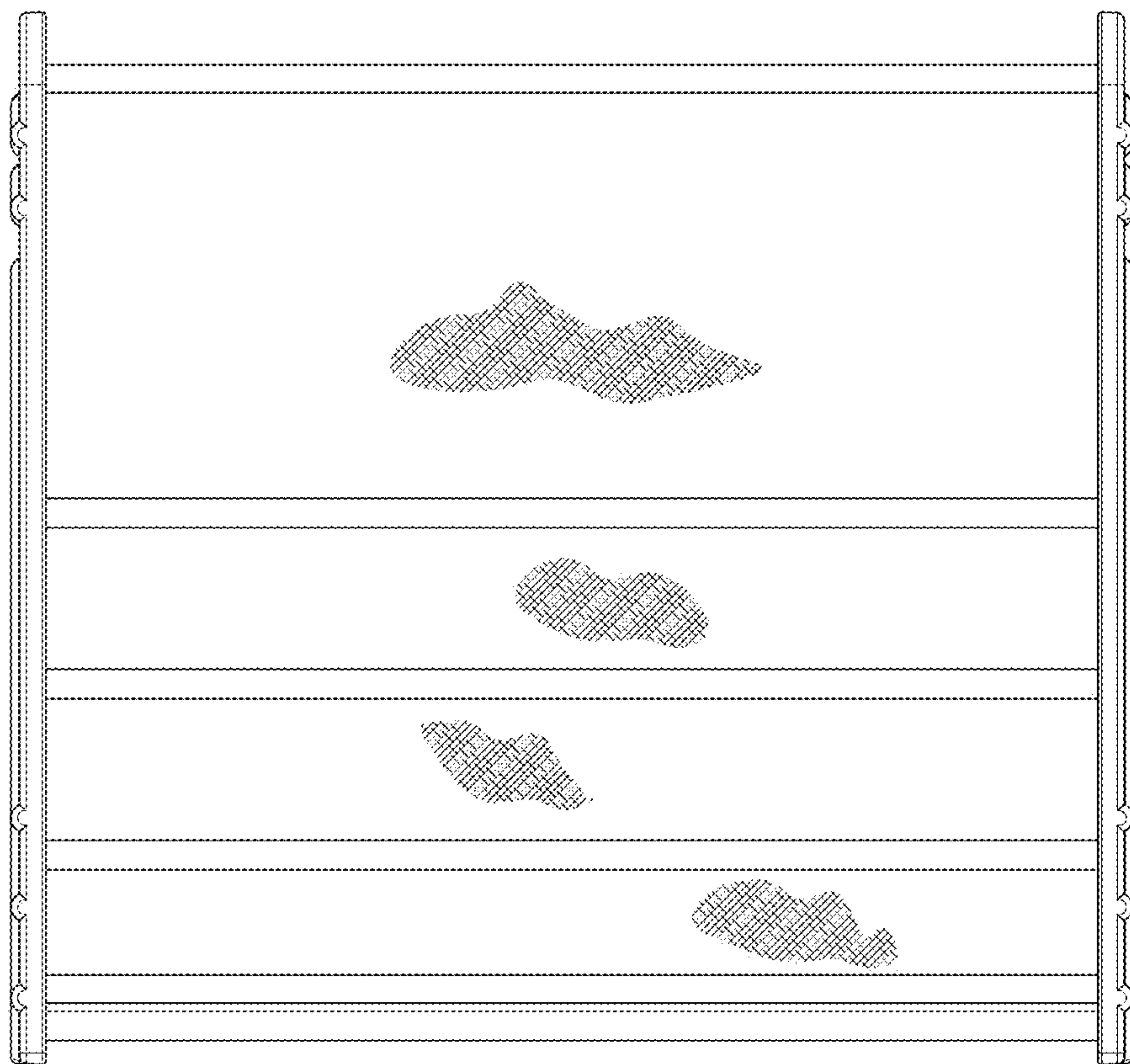


FIG. 3

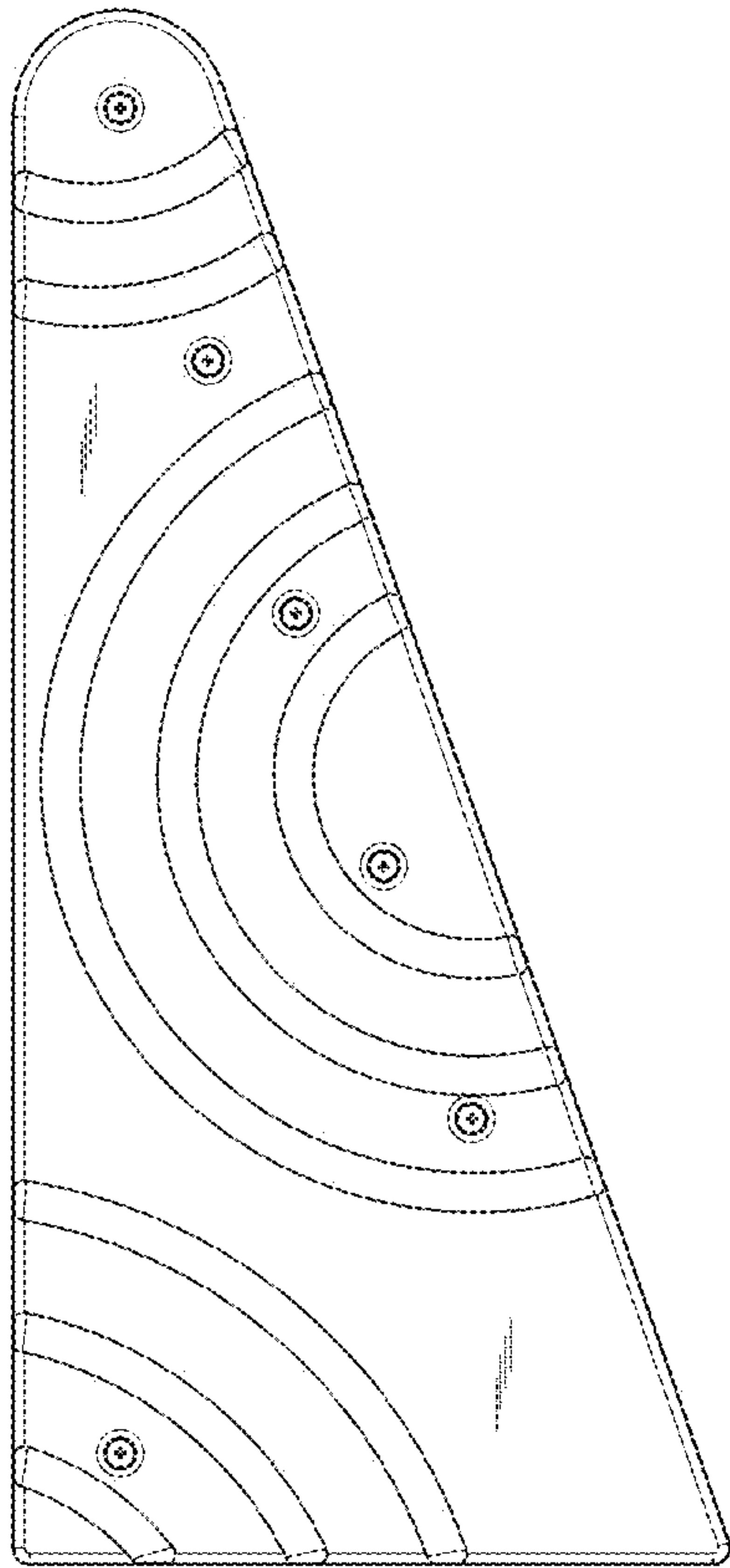


FIG. 4

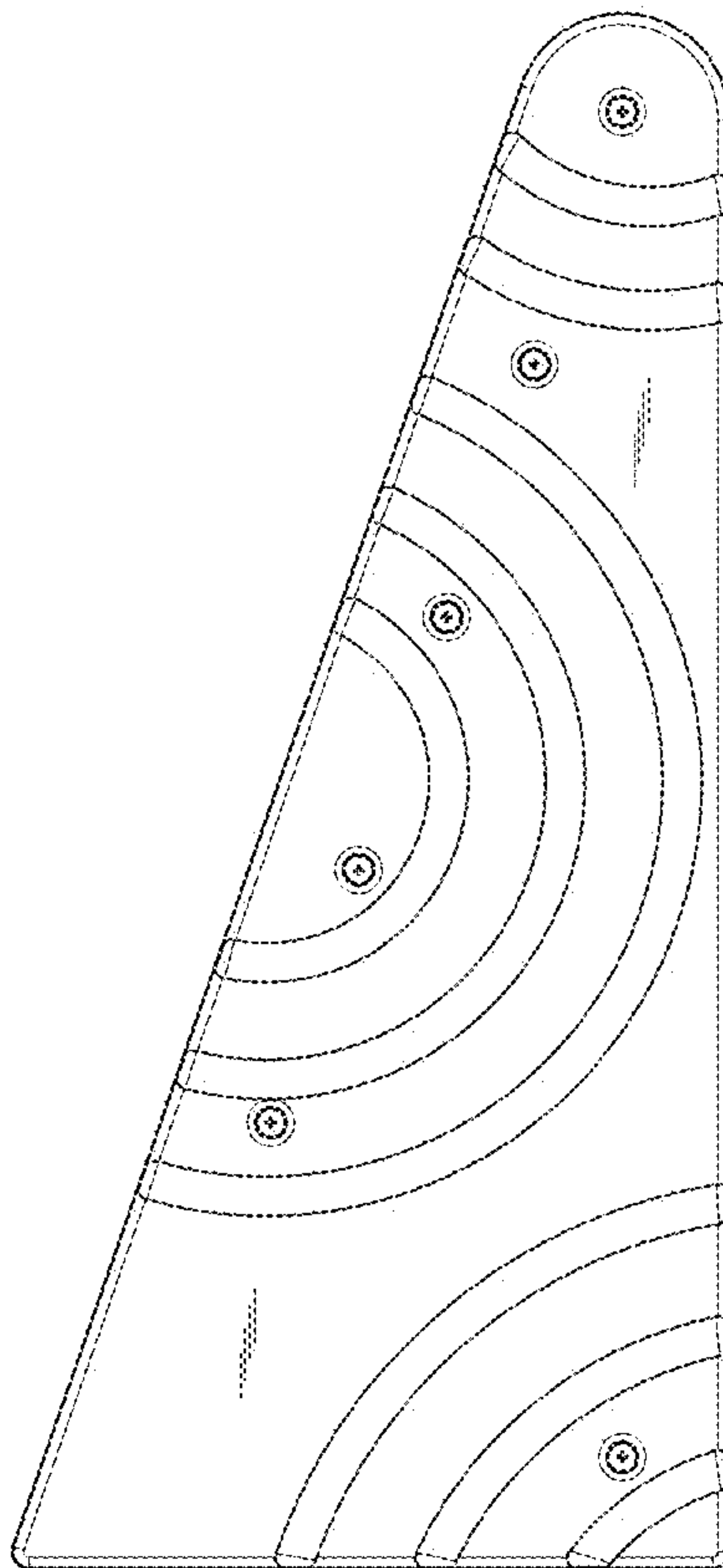


FIG. 5

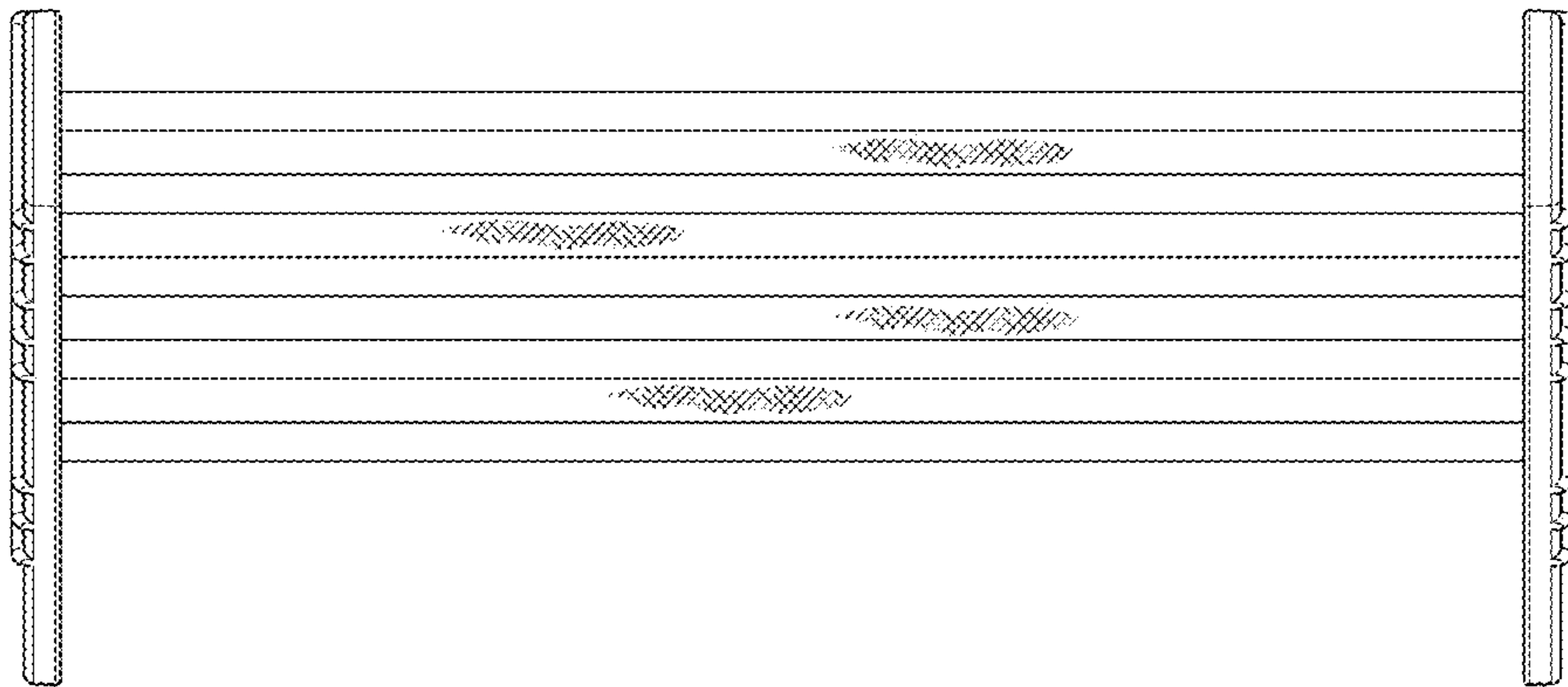


FIG. 6

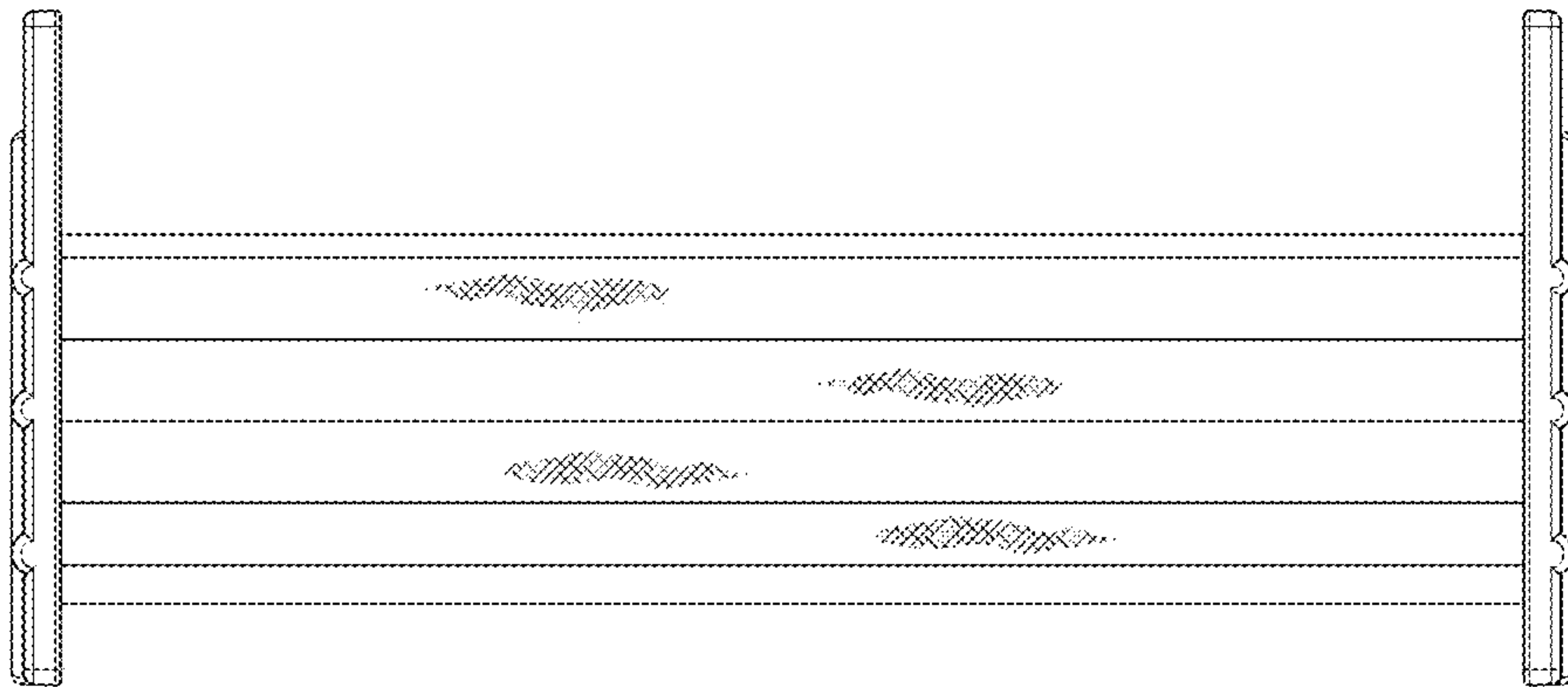


FIG. 7