



US00D914408S

(12) **United States Design Patent** (10) **Patent No.:** **US D914,408 S**  
**Li** (45) **Date of Patent:** **\*\* Mar. 30, 2021**

(54) **ORGANIZER WITH SLIDING STORAGE DRAWERS**

(71) Applicant: **Xuewen Li**, Nanning (CN)

(72) Inventor: **Xuewen Li**, Nanning (CN)

(\*\*) Term: **15 Years**

(21) Appl. No.: **29/752,492**

(22) Filed: **Sep. 28, 2020**

(51) **LOC (13) Cl.** ..... **06-06**

(52) **U.S. Cl.**  
USPC ..... **D6/675.1; D34/21**

(58) **Field of Classification Search**  
USPC ..... D3/304–315; D6/653, 653.1, 672, 675,  
D6/675.1, 675.2, 675.5; D34/12, 21, 23  
CPC ..... B62B 3/00; B62B 3/002; B62B 3/005;  
A61G 12/001; B25H 3/06; B25H 3/021;  
B25H 3/028

See application file for complete search history.

(56) **References Cited**

**U.S. PATENT DOCUMENTS**

D301,652 S *	6/1989	Roberts	.....	D34/21
6,079,719 A *	6/2000	Tisbo	.....	B62B 3/006 280/47.19
D436,239 S *	1/2001	Walsh	.....	D34/17
D477,933 S	8/2003	Wood		
D517,769 S *	3/2006	Post	.....	D34/21
D734,914 S *	7/2015	Tsai	.....	D34/21
D748,359 S *	1/2016	Lustig	.....	D34/21
D756,584 S *	5/2016	Dunford	.....	D34/12
D758,688 S *	6/2016	Nai	.....	D34/12
D761,043 S	7/2016	Snider		
D832,549 S *	10/2018	Cao	.....	D34/21
D846,824 S *	4/2019	Cao	.....	D34/21
D850,753 S *	6/2019	Cao	.....	D34/21
D852,448 S *	6/2019	Hu	.....	D34/21

D852,449 S *	6/2019	Hu	.....	D34/21
D858,928 S *	9/2019	Cao	.....	D34/21
D875,476 S *	2/2020	Tuang	.....	D7/600.4
D887,101 S *	6/2020	Beasley	.....	D34/21
D899,826 S *	10/2020	Cheng	.....	D6/675.1
D901,123 S *	11/2020	Liu	.....	D34/21
D901,816 S *	11/2020	Liu	.....	D34/21
D901,817 S *	11/2020	Li	.....	D34/21
D902,521 S *	11/2020	Tsai	.....	D34/21
2010/0288717 A1 *	11/2010	Morandi	.....	A47B 43/00 211/187
2020/0216104 A1 *	7/2020	Leblanc	.....	B62B 3/022

\* cited by examiner

*Primary Examiner* — Kelly A Donnelly

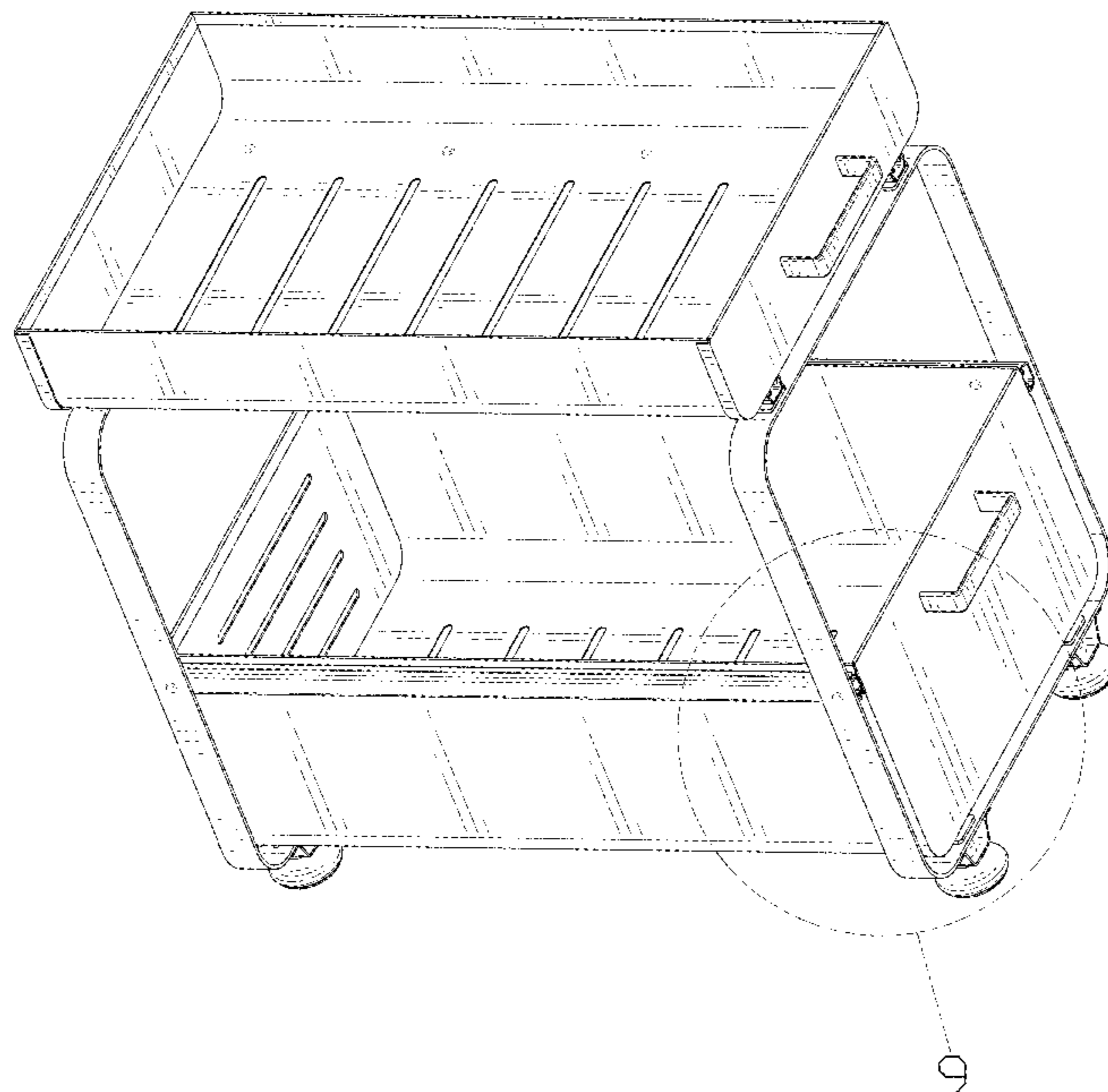
(57) **CLAIM**

The ornamental design for an organizer with sliding storage drawers, as shown and described.

**DESCRIPTION**

FIG. 1 is a perspective view of an organizer with sliding storage drawers showing my new design; FIG. 2 is another perspective view thereof; FIG. 3 is a front elevational view thereof; FIG. 4 is a rear elevational view thereof; FIG. 5 is a left side elevational view thereof; FIG. 6 is a right side elevational view thereof; FIG. 7 is a top plan view thereof; FIG. 8 is a bottom plan view thereof; FIG. 9 is an enlarged view of portion 9 shown in FIG. 1; FIG. 10 is an enlarged view of portion 10 shown in FIG. 2; and, FIG. 11 is an enlarged view of portion 11 shown in FIG. 2. The broken lines in the drawings depict portions of the organizer with sliding storage drawers that form no part of the claimed design.

**1 Claim, 11 Drawing Sheets**



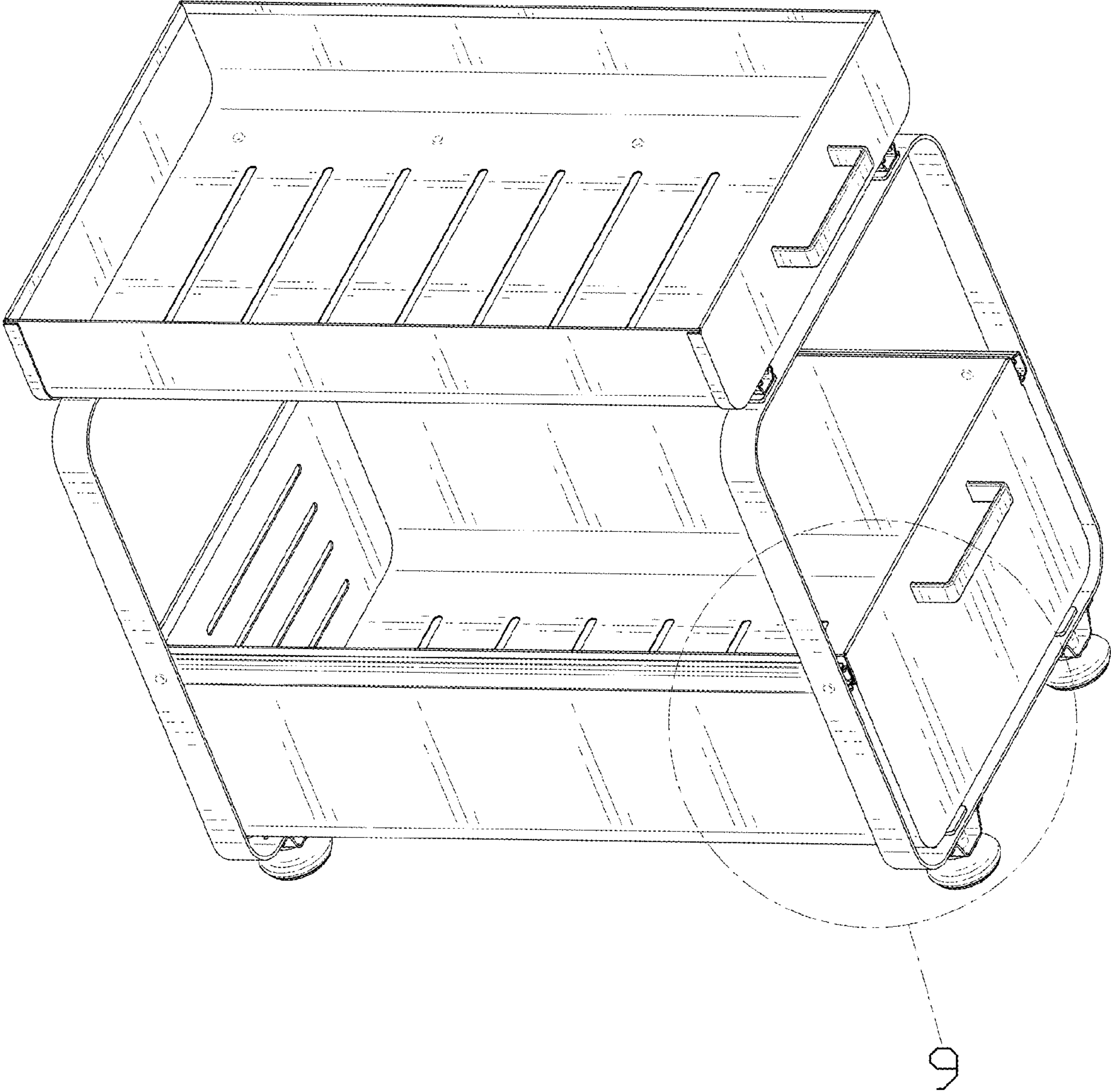


FIG. 1

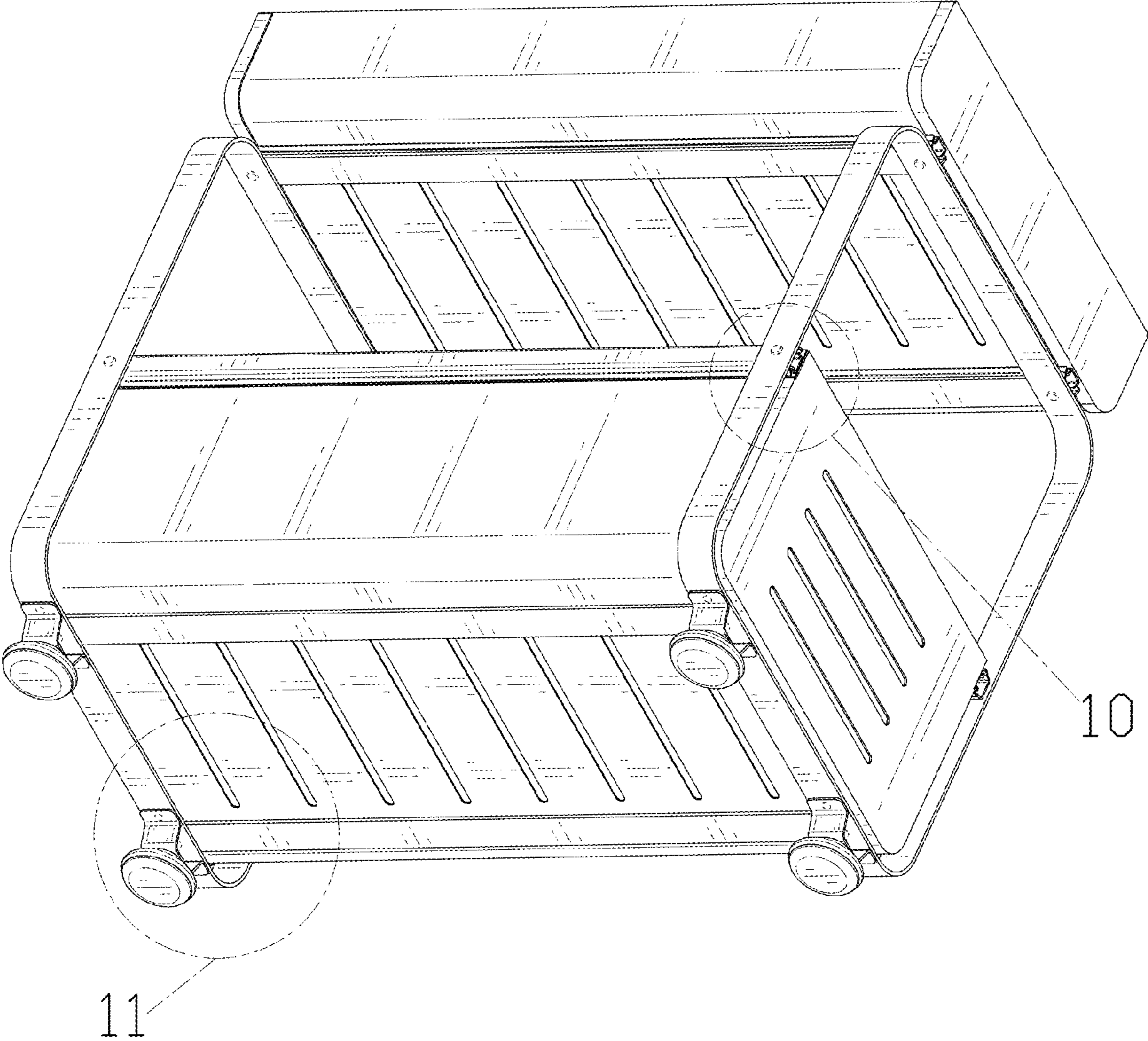


FIG. 2

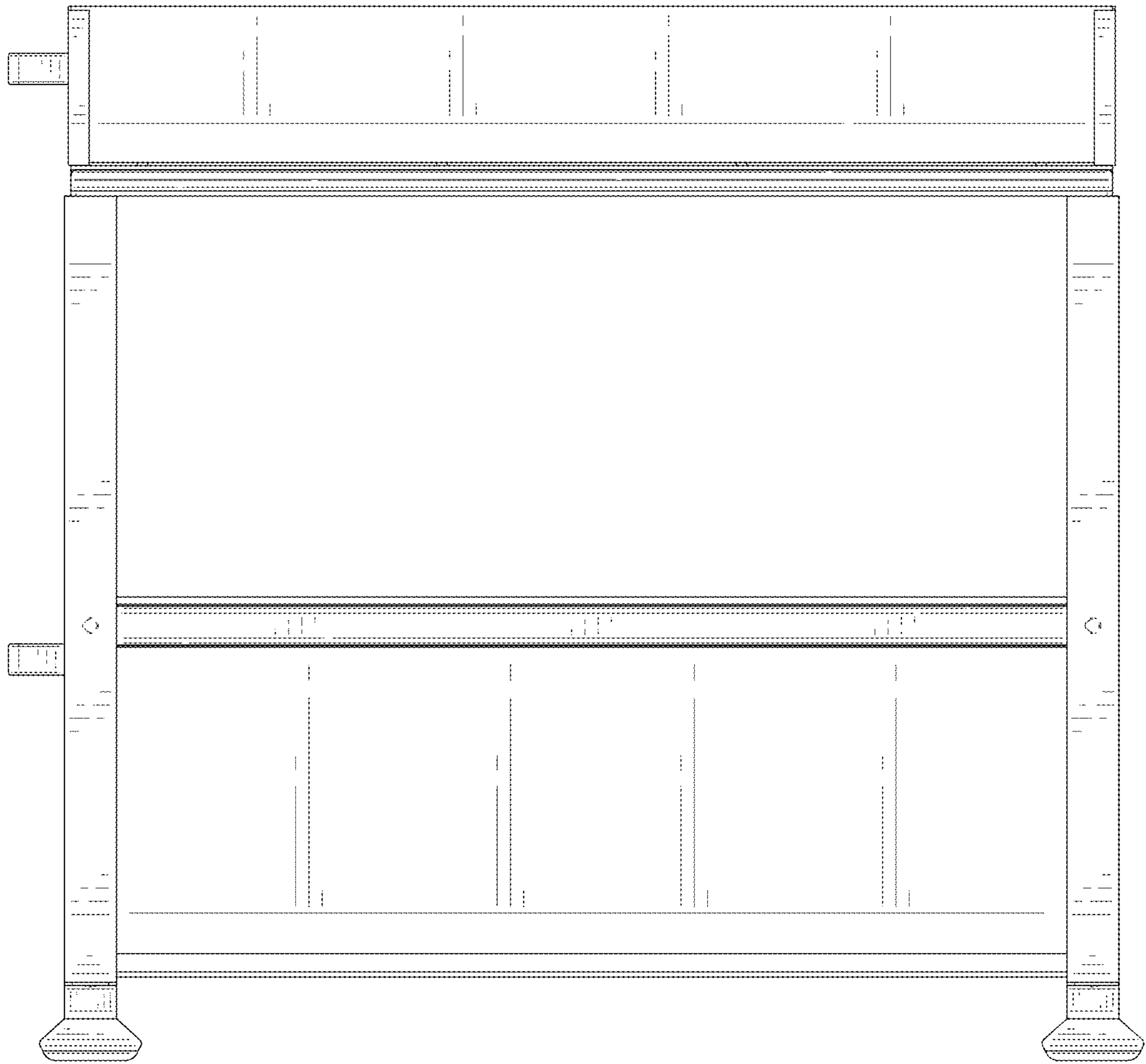


FIG. 3

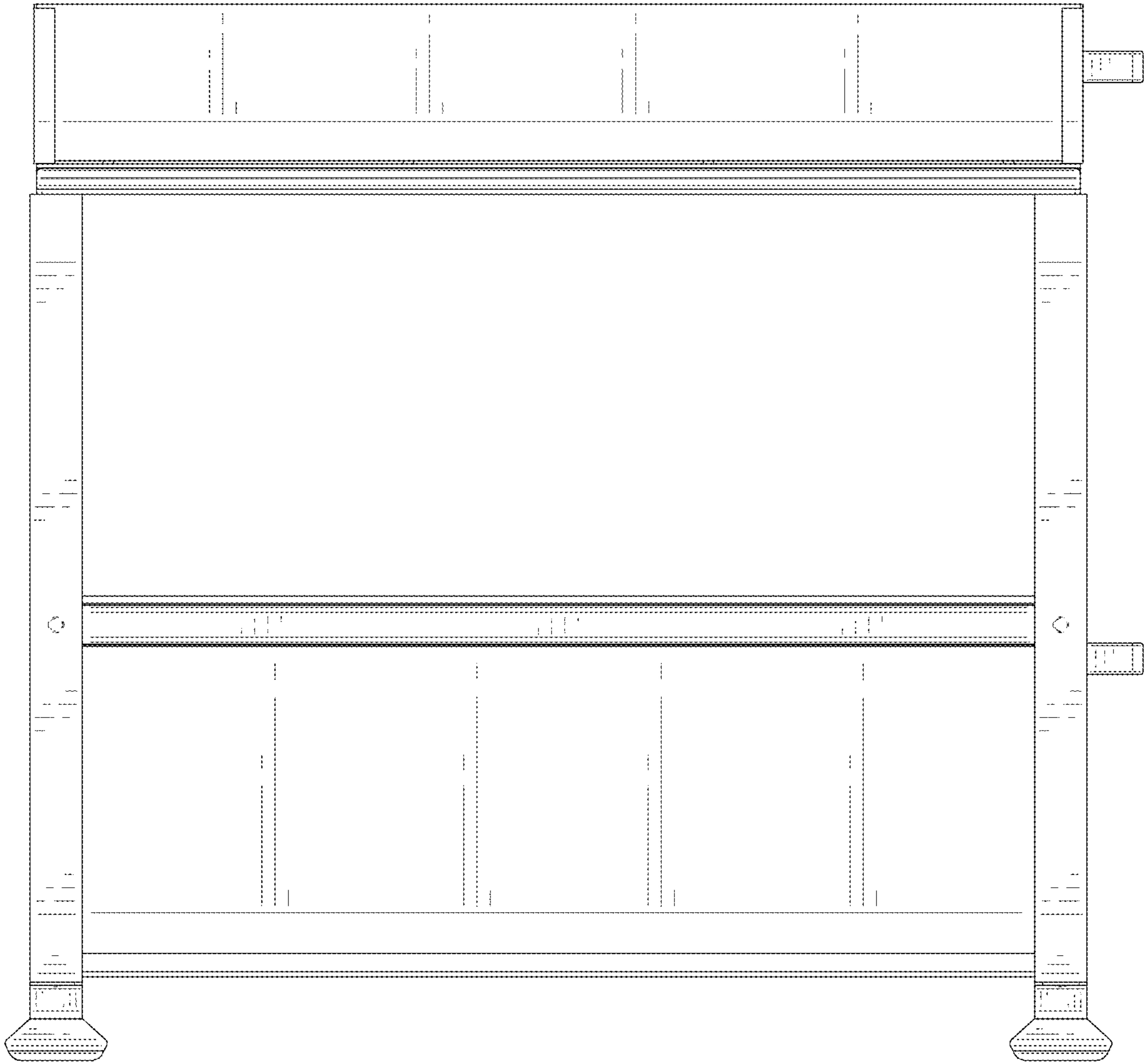


FIG. 4

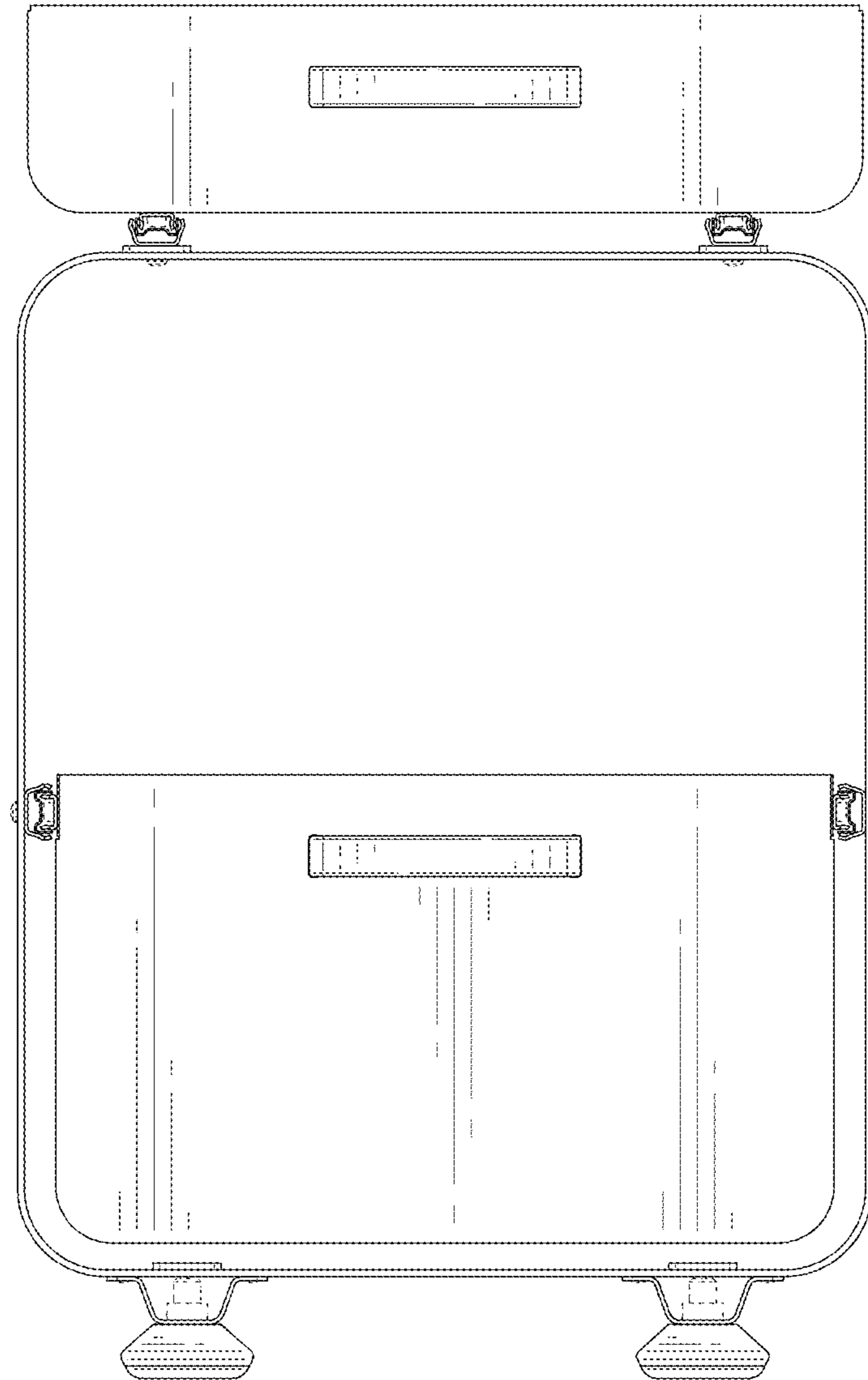


FIG. 5

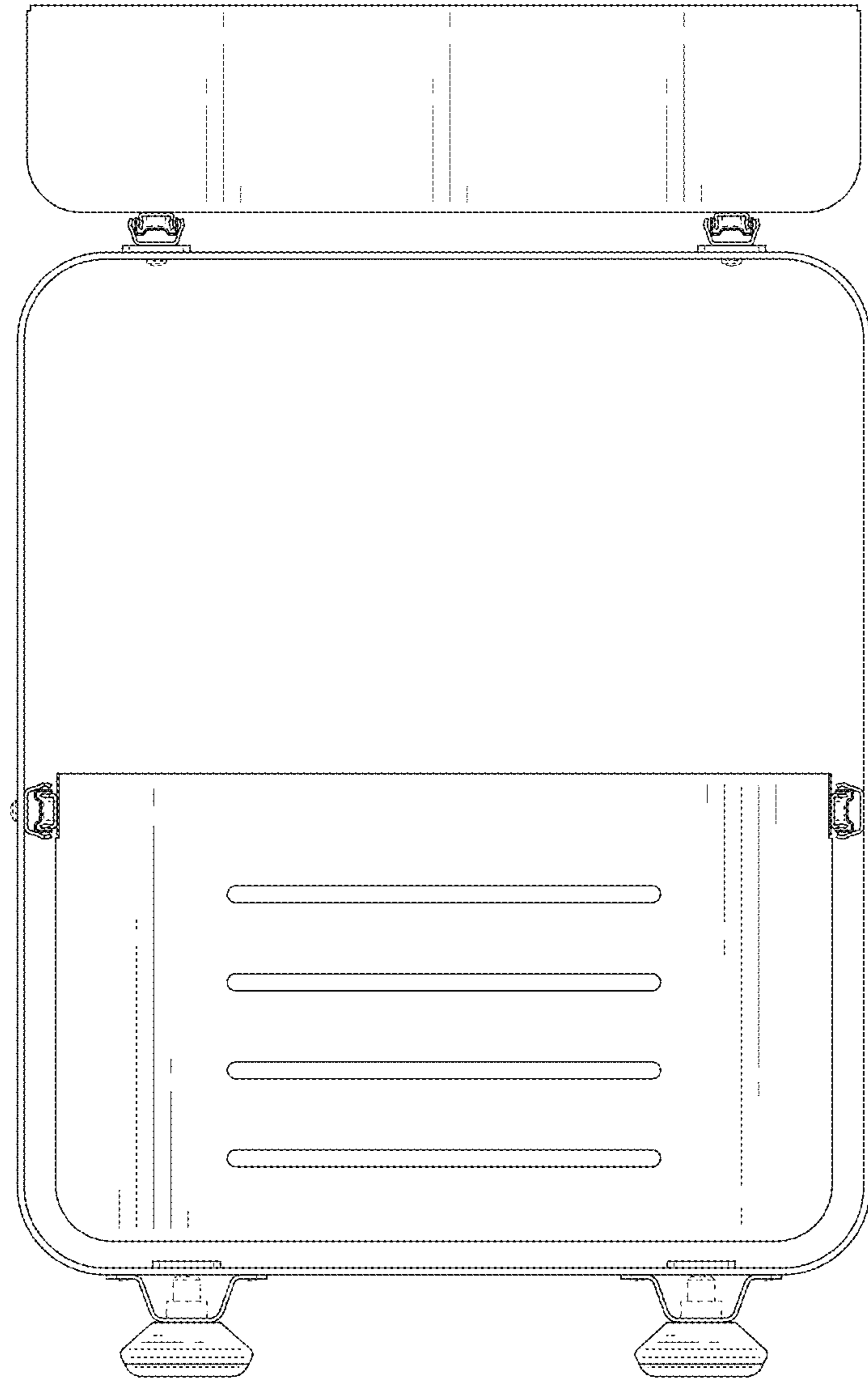


FIG. 6

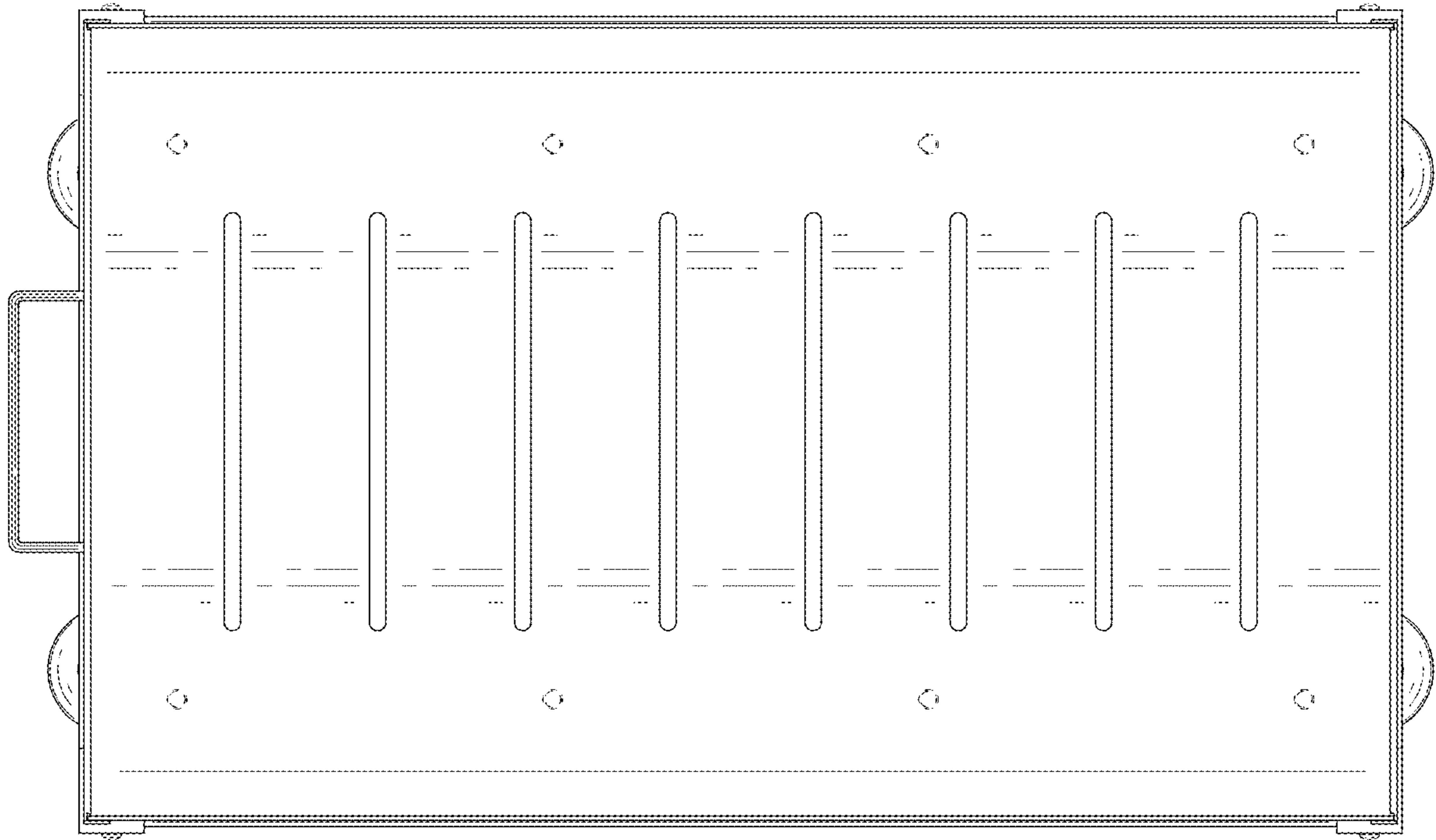


FIG. 7



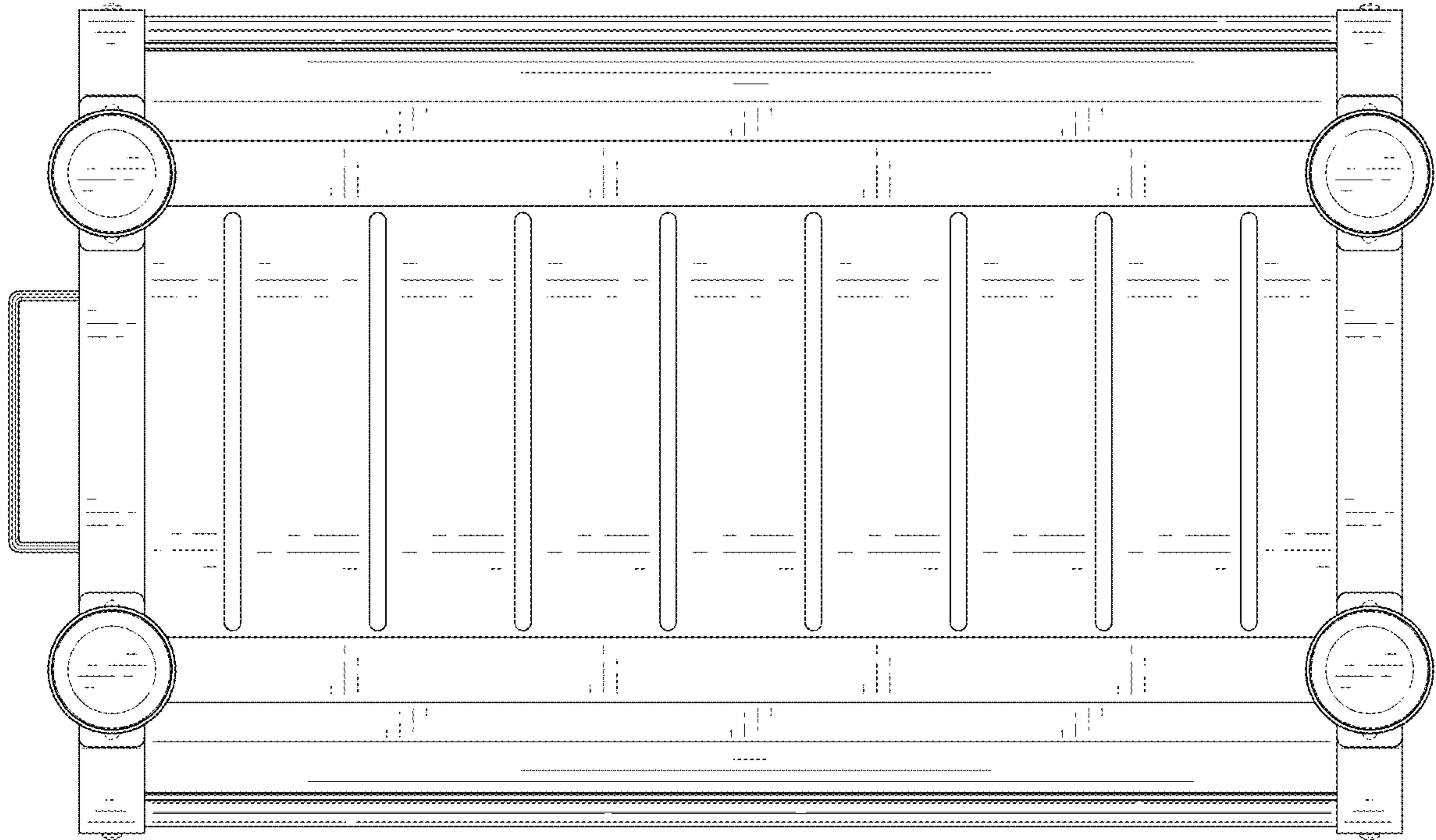


FIG. 8

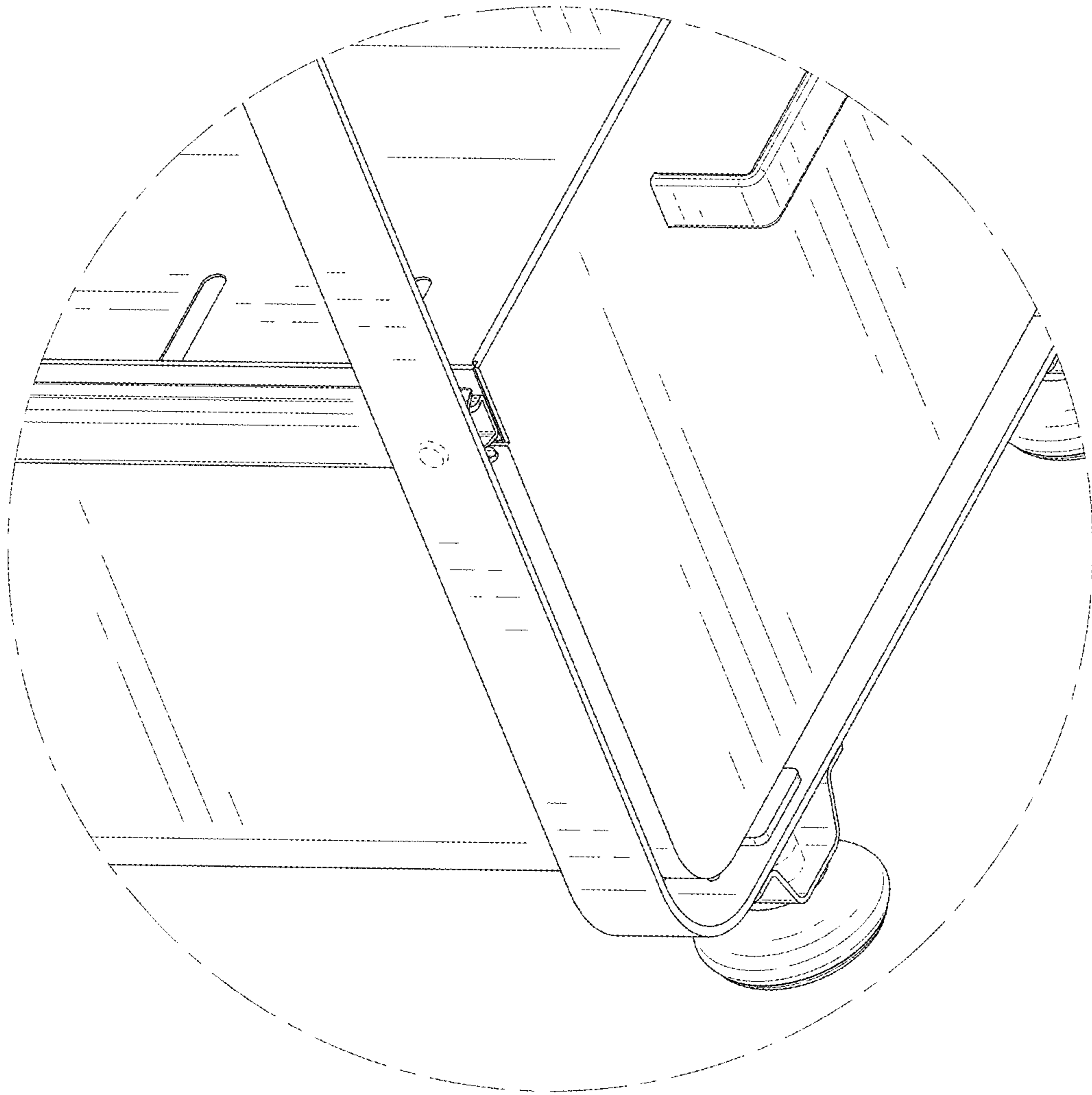


FIG. 9

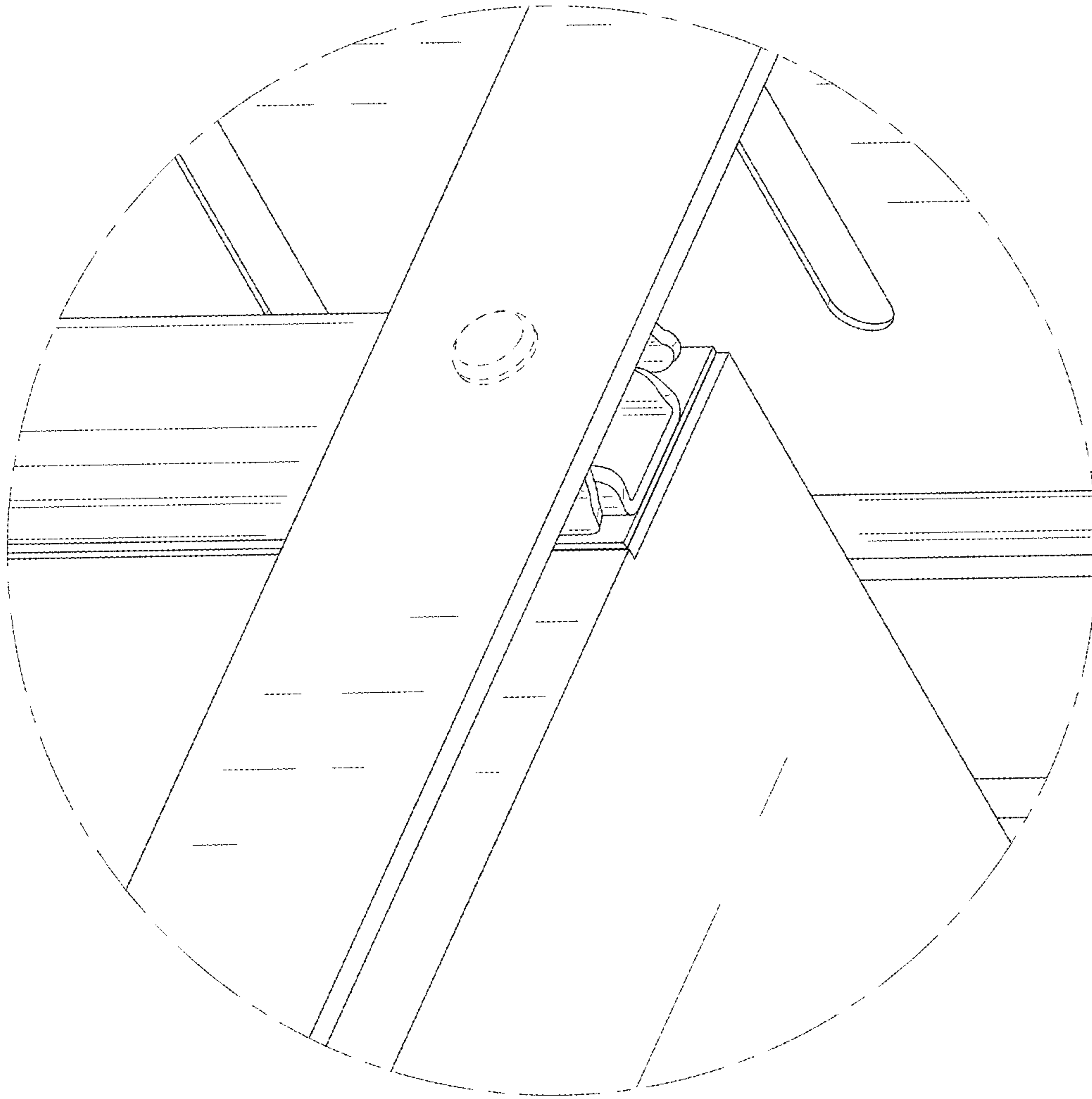


FIG. 10

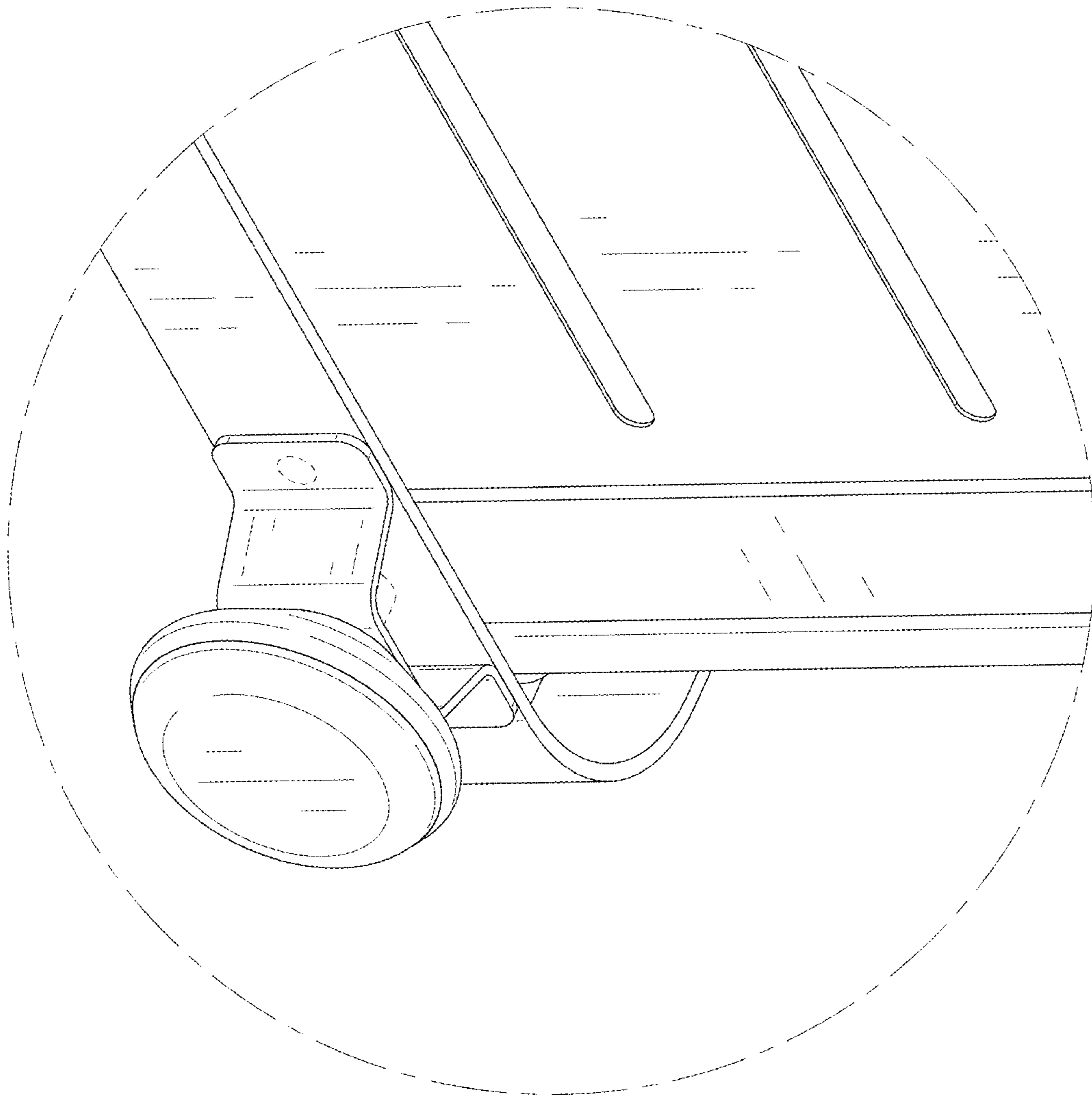


FIG. 11