



US00D914406S

(12) **United States Design Patent**
Ondrasik

(10) **Patent No.:** **US D914,406 S**
(45) **Date of Patent:** **** Mar. 30, 2021**

- (54) **WIRE RECEIVING SHELF POST**
- (71) Applicant: **THE ONDRASIK FAMILY TRUST**
DATED 11/3/1999, Commerce, CA
(US)
- (72) Inventor: **V. John Ondrasik**, Commerce, CA
(US)
- (73) Assignee: **THE ONDRASIK FAMILY TRUST**,
Commerce, CA (US), DATED
11/3/1999

D293,098 S * 12/1987 Layton D13/155
 D357,607 S * 4/1995 Nilsson D25/126
 5,918,750 A * 7/1999 Jackson A47F 5/137
 108/108

(Continued)

(**) Term: **15 Years**

(21) Appl. No.: **29/654,229**

(22) Filed: **Jun. 21, 2018**

(51) **LOC (13) Cl.** **06-06**

(52) **U.S. Cl.**
USPC **D6/675**

(58) **Field of Classification Search**
 USPC D6/672-673, 675, 675.1, 675.2, 681,
 D6/681.1, 680.2, 712; D25/60-61, 119,
 D25/121-122, 124-125, 126, 164;
 248/518-520, 188.8, 188.4, 539, 538,
 248/536, 250, 242; 52/169.9, 302.5, 292,
 52/296-297; 40/607.1, 608; 108/153,
 108/156, 157, 158; 211/183, 71.01, 134,
 211/189-190, 191, 175
 CPC A47F 5/0068; A47F 5/0846; A47F 5/0853;
 E04C 3/00; E04C 3/005; E04C 3/02;
 E04C 3/04; E04C 3/28; E04C 3/30; E04C
 3/32; E06B 1/00; E06B 1/02; E06B 1/34;
 E06B 1/342; E04F 11/18; E04F 11/1802;
 A47B 13/02; A47B 13/06; A47B 95/008;
 A47B 57/34; B25H 3/04; A63B 21/0615;
 A63B 21/4035; B29C 66/524; B29C
 65/565

See application file for complete search history.

(56) **References Cited**

U.S. PATENT DOCUMENTS

D247,184 S * 2/1978 Clement D25/132
 4,248,350 A * 2/1981 Gilbert B65D 5/5033
 206/320

OTHER PUBLICATIONS

file:///C:/Users/kdonnelly/Desktop/ALTO%20MFG%20CO%20INC%
 20_%20Roll%20Forming%20_%20Angles,%20_U_%20and%20_
 C_%20Channels,%20and%20Mouldings.pdf.*

Primary Examiner — Kelley A Donnelly

(74) *Attorney, Agent, or Firm* — David R. Heckadon;
Gordon Rees Scully Mansukhani LLP

(57) **CLAIM**

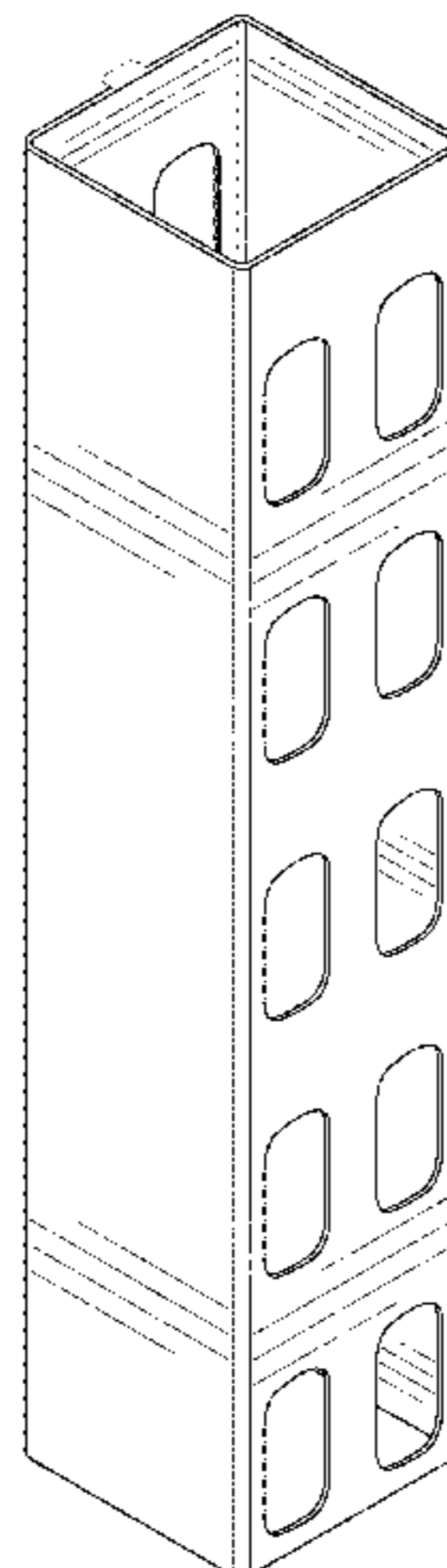
The ornamental design of a wire receiving shelf post, as shown and described.

DESCRIPTION

FIG. 1 is a front perspective view of a wire receiving shelf post.
 FIG. 2 is a rear perspective view of the wire receiving shelf post of FIG. 1.
 FIG. 3 is a front elevation view of the wire receiving shelf post of FIG. 1.
 FIG. 4 is a rear elevation view of the wire receiving shelf post of FIG. 1.
 FIG. 5 left side elevation view of the wire receiving shelf post of FIG. 1.
 FIG. 6 is a right elevation view of the wire receiving shelf post of FIG. 1.
 FIG. 7 is a top plan view of the wire receiving shelf post of FIG. 1; and,
 FIG. 8 is a bottom plan view of the wire receiving shelf post of FIG. 1.

The broken lines in the Figures show portions of the wire receiving shelf post that form no part of the claimed design.

1 Claim, 8 Drawing Sheets



(56)

References Cited

U.S. PATENT DOCUMENTS

D463,160 S * 9/2002 Chang D6/680.2
 7,137,517 B2 * 11/2006 Lowry B65D 5/5033
 211/188
 D561,353 S * 2/2008 Antonie D25/122
 D610,717 S * 2/2010 Lin E04H 12/2261
 D25/133
 D611,169 S * 3/2010 Harder D25/122
 7,703,732 B2 * 4/2010 Dantuono A47B 96/061
 248/235
 D615,389 S * 5/2010 Shinozaki D8/381
 D639,586 S * 6/2011 Selinger D6/712
 D648,159 S * 11/2011 Hense D6/712
 D715,082 S * 10/2014 Sugiura D6/712
 D725,296 S * 3/2015 Taylor D25/126
 9,102,092 B2 * 8/2015 Mukith B29C 65/565
 9,126,289 B2 * 9/2015 Herman E04H 17/10
 D784,060 S * 4/2017 Davidsen D6/709
 D833,648 S * 11/2018 Shearer D25/119
 10,299,594 B2 * 5/2019 Liss A47B 55/00

D881,614 S * 4/2020 Wilke D6/680.2
 10,610,016 B2 * 4/2020 Nilsson A47B 57/42
 10,653,239 B2 * 5/2020 Nilsson A47F 5/0093
 10,660,435 B2 * 5/2020 Miller, Jr. A47B 57/04
 2005/0098772 A1 * 5/2005 Fuoco E04G 21/3223
 256/65.14
 2015/0290488 A1 * 10/2015 Hopperstad A63B 23/0405
 482/38
 2017/0290275 A1 * 10/2017 Storey A01G 25/02
 2018/0058067 A1 * 3/2018 Lake E04C 3/06
 2018/0142832 A1 * 5/2018 Inouye A61H 15/00
 2019/0150616 A1 * 5/2019 Beadle A47B 47/02
 2019/0218778 A1 * 7/2019 Jiang E04C 3/32
 2019/0269992 A1 * 9/2019 Dunahay A47B 47/0083
 2019/0275363 A1 * 9/2019 Jones A63B 21/0616
 2019/0338520 A1 * 11/2019 Goh E04C 3/04
 2020/0018058 A1 * 1/2020 Abernathy E04B 1/2403
 2020/0123762 A1 * 4/2020 Abernathy E04B 1/2403
 2020/0139186 A1 * 5/2020 Sorin A63B 21/08
 2020/0245767 A1 * 8/2020 Kokenge A47B 95/008
 2020/0255638 A1 * 8/2020 Quinzanos Montes ... E04C 1/24

* cited by examiner

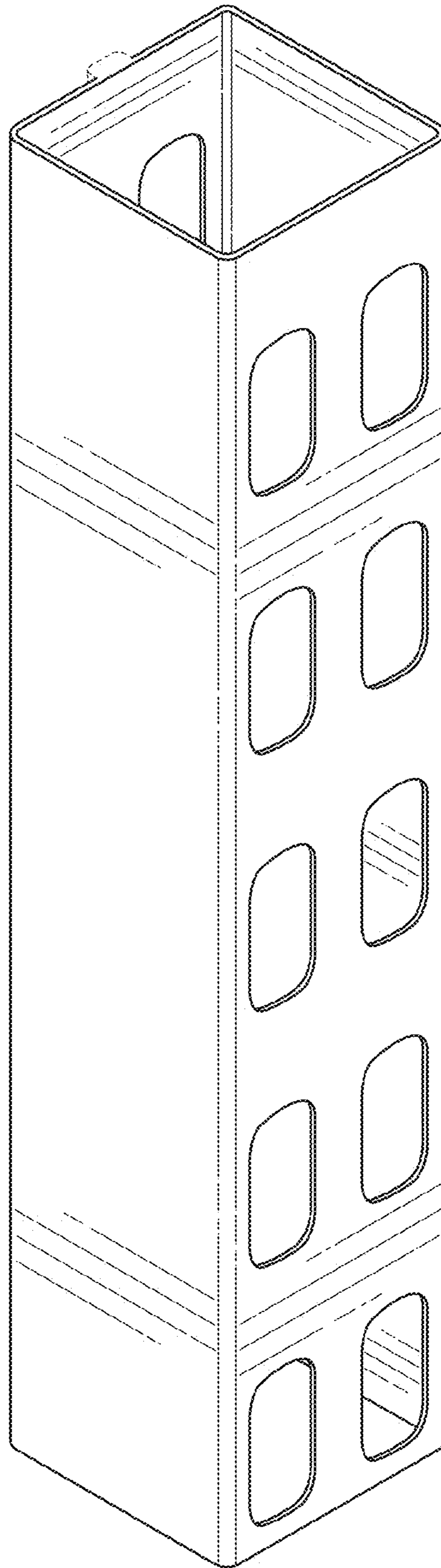


FIG. 1

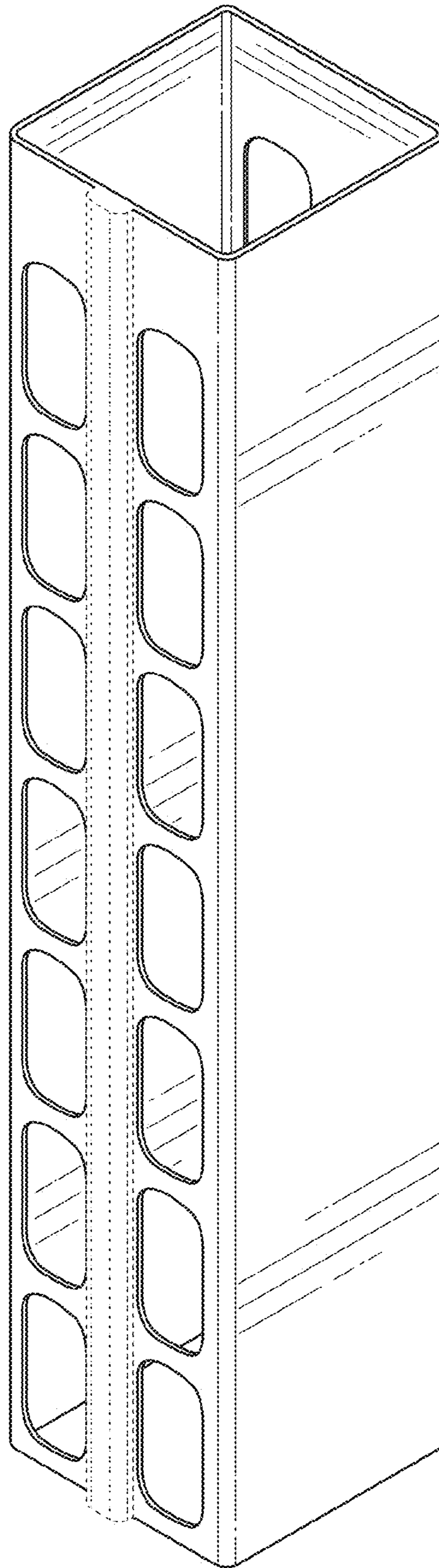


FIG. 2

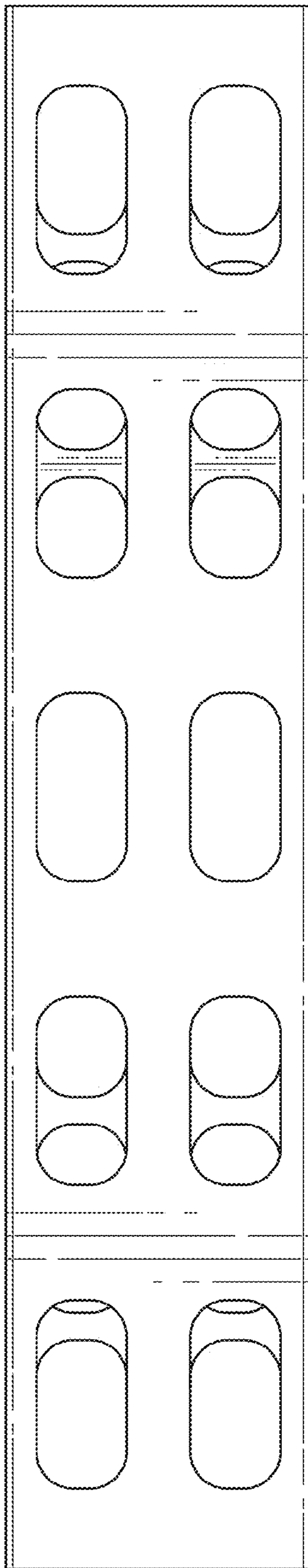


FIG. 3

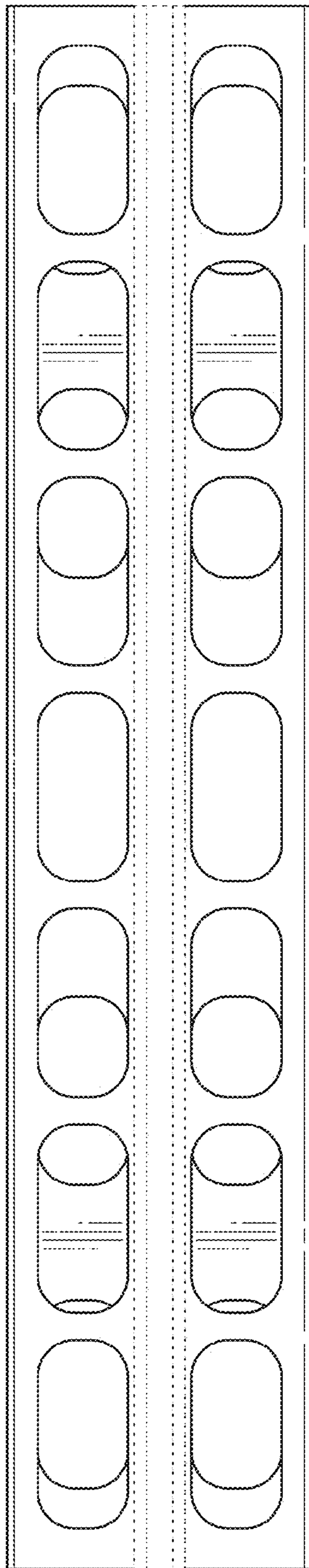


FIG. 4

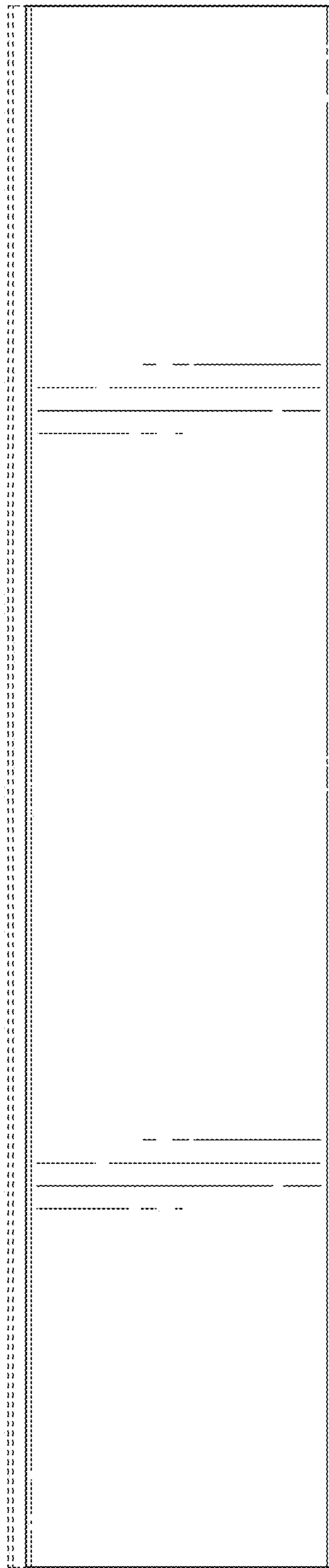


FIG. 5

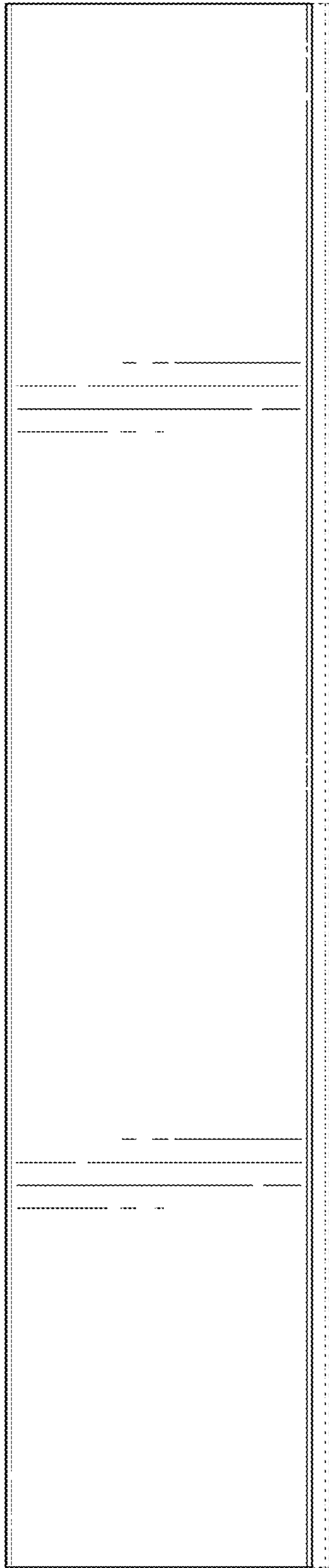


FIG. 6

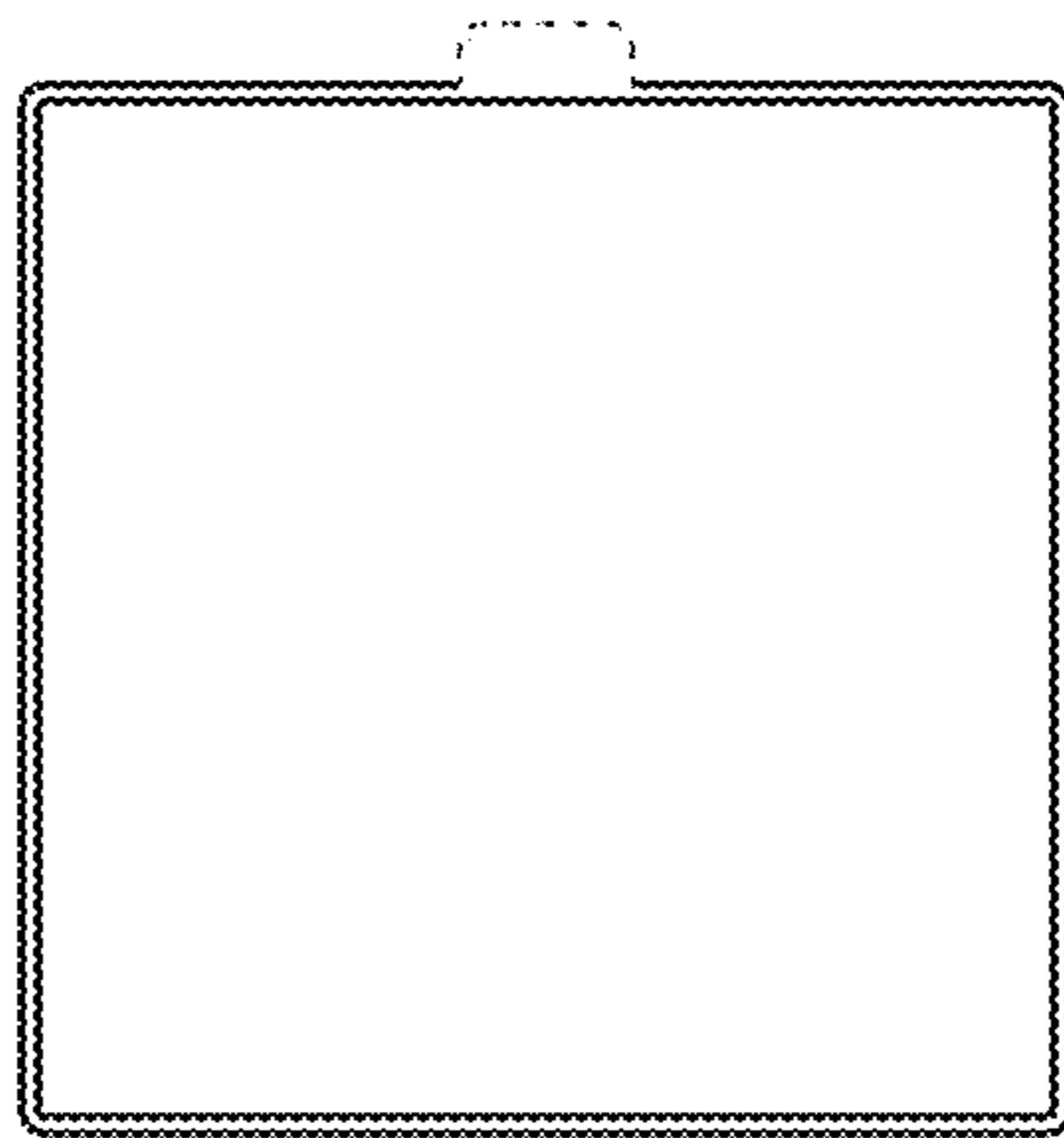


FIG. 7

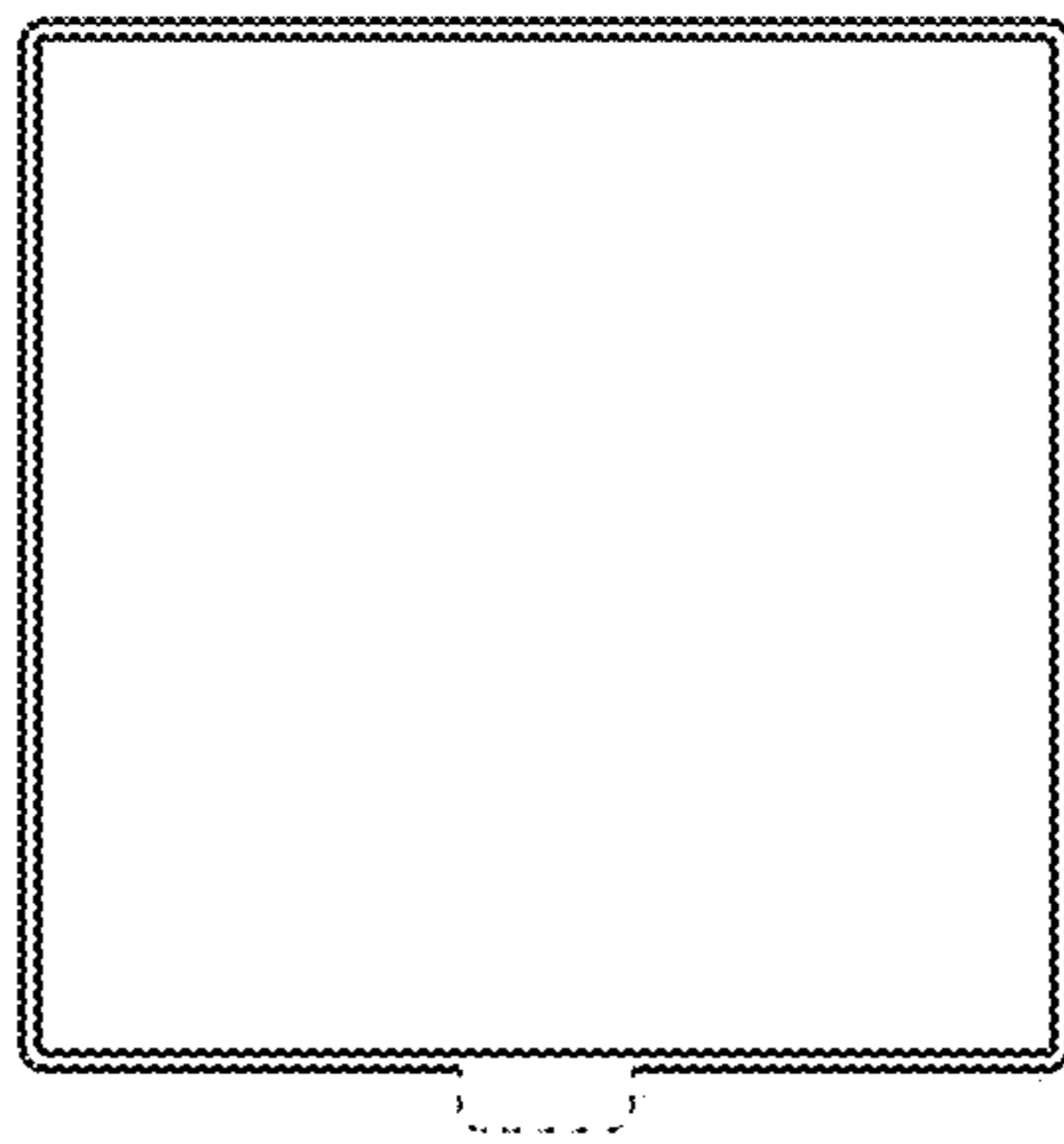


FIG. 8