



US00D914405S

(12) **United States Design Patent** (10) **Patent No.:** **US D914,405 S**
Denby (45) **Date of Patent:** **** Mar. 30, 2021**

(54) **PRODUCT DISPLAY FIXTURE**
(71) Applicant: **TARGET BRANDS, INC.**,
Minneapolis, MN (US)
(72) Inventor: **Scott E. Denby**, Minneapolis, MN (US)
(73) Assignee: **TARGET BRANDS, INC.**,
Minneapolis, MN (US)

D689,870 S * 9/2013 Fong D14/447
D697,340 S * 1/2014 Vardaro D6/675.1
8,763,819 B2 * 7/2014 Theisen G09F 23/06
211/71.01
D712,181 S * 9/2014 Martell D6/675.1
D732,318 S * 6/2015 Engebretson D6/657

(Continued)

(**) Term: **15 Years**

FOREIGN PATENT DOCUMENTS

GB 812229 A 4/1959

(21) Appl. No.: **29/679,069**

OTHER PUBLICATIONS

(22) Filed: **Feb. 1, 2019**

“Brooks Retail Display”, printed from www.conceptdesignsinc.com/portfolios/brooks-retail-display/, publicly available at least as early as Mar. 22, 2017, per <http://web.archive.org> (3 pages).

(51) **LOC (13) Cl.** **20-02**

(52) **U.S. Cl.**
USPC **D6/672**

Primary Examiner — Steven J Czyz
(74) *Attorney, Agent, or Firm* — JoAnn M. Seaton;
Griffiths & Seaton PLLC

(58) **Field of Classification Search**
USPC D6/672, 673, 675, 675.1, 675.2, 675.3,
D6/675.4, 675.5
CPC A47F 3/004; A47F 3/06; A47F 5/00; A47F
5/10; A47F 5/0043; A47F 5/103; A47F
5/0025; A47F 5/0062; A47F 5/0068;
A47F 2005/0075; G09F 15/00; G09F
15/0068

(57) **CLAIM**
The ornamental design for a product display fixture, as shown and described.

See application file for complete search history.

DESCRIPTION

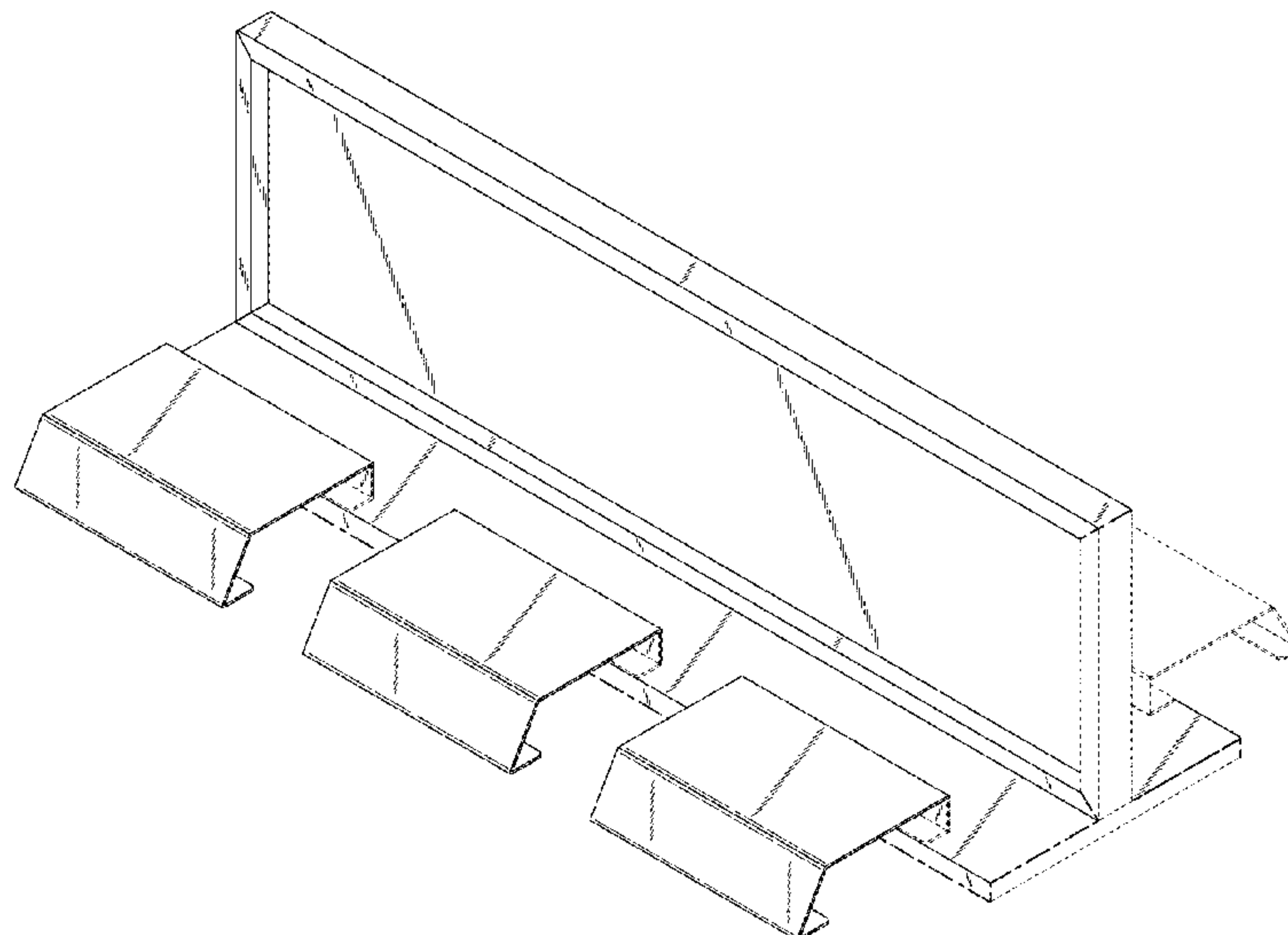
(56) **References Cited**

U.S. PATENT DOCUMENTS

D294,314 S * 2/1988 Brun, Jr. D6/672
5,312,000 A * 5/1994 Bass A47F 7/286
211/4
5,563,619 A 10/1996 Hilbrink
D451,305 S * 12/2001 Chang D6/672
D493,639 S 8/2004 Williams
D541,082 S 4/2007 Nomoto
D591,083 S * 4/2009 Singler D6/672
D591,979 S * 5/2009 Singler D6/672
D604,531 S 11/2009 Annicelli
D637,421 S * 5/2011 Theisen D6/675.1
D641,181 S * 7/2011 Johnson D6/369
D654,719 S * 2/2012 Stukenberg D6/675

FIG. 1 is a top and front perspective view of a product display fixture showing our new design;
FIG. 2 is a top and rear perspective view thereof;
FIG. 3 is a front view thereof;
FIG. 4 is a rear view thereof;
FIG. 5 is a right side view thereof;
FIG. 6 is a left side view thereof;
FIG. 7 is a top view thereof; and,
FIG. 8 is a bottom view thereof wherein the non-shaded bottom surface forms no part of the claim.
In the drawings, the evenly-spaced broken lines depict portions of the article that form no part of the claimed design; the dash-dot-dash lines represent the boundary of the claimed design and form no part thereof.

1 Claim, 6 Drawing Sheets



(56)

References Cited

U.S. PATENT DOCUMENTS

D732,319 S *	6/2015	Engebretson	D6/657	D817,041 S *	5/2018	Olvera	D6/672
D732,853 S *	6/2015	Engebretson	D6/657	D823,030 S *	7/2018	Theisen	D6/675
D732,854 S *	6/2015	Engebretson	D6/657	D823,857 S *	7/2018	Chen	D14/447
9,060,625 B2	6/2015	Theisen et al.			D824,916 S *	8/2018	Chen	D14/447
D740,595 S *	10/2015	Kim	D6/672	D825,226 S *	8/2018	Zobel	D6/672
D745,295 S	12/2015	Ebert			10,045,639 B2 *	8/2018	Johnson	A47B 97/00
9,277,832 B2	3/2016	Theisen et al.			D834,356 S *	11/2018	Chapuis	D6/672
D753,663 S *	4/2016	Lorenzini	D14/447	D841,370 S *	2/2019	Theisen	D6/657
D758,106 S *	6/2016	Hamm	D6/672	D842,628 S *	3/2019	Siminoff	D6/672
D758,773 S *	6/2016	Kim	D6/707	D843,139 S *	3/2019	Burton	D6/672
D763,019 S *	8/2016	Theisen	D6/675.3	D844,349 S *	4/2019	Burton	D6/672
D790,261 S *	6/2017	Rogers	D6/675.1	D855,358 S *	8/2019	Adler	D6/644
9,700,155 B1 *	7/2017	Theisen	A45D 40/0087	D862,938 S *	10/2019	Burton	D6/657
D793,777 S *	8/2017	Johnson	D6/675.1	D865,413 S *	11/2019	Chapuis	D6/675
D794,983 S *	8/2017	Peota	D6/675.1	D866,226 S *	11/2019	Burton	D6/672
9,788,669 B1 *	10/2017	Denby	E05B 73/0041	D872,489 S *	1/2020	Ruiter	D6/332
D806,447 S *	1/2018	Burton	D6/657	D878,834 S *	3/2020	Johnson	A47F 3/004
D806,448 S *	1/2018	Burton	D6/657					D6/683.1
					D900,512 S *	11/2020	Ouyang	D6/675
					D900,515 S *	11/2020	Johnson	D6/675.1
					D901,948 S *	11/2020	Burton	D6/675

* cited by examiner

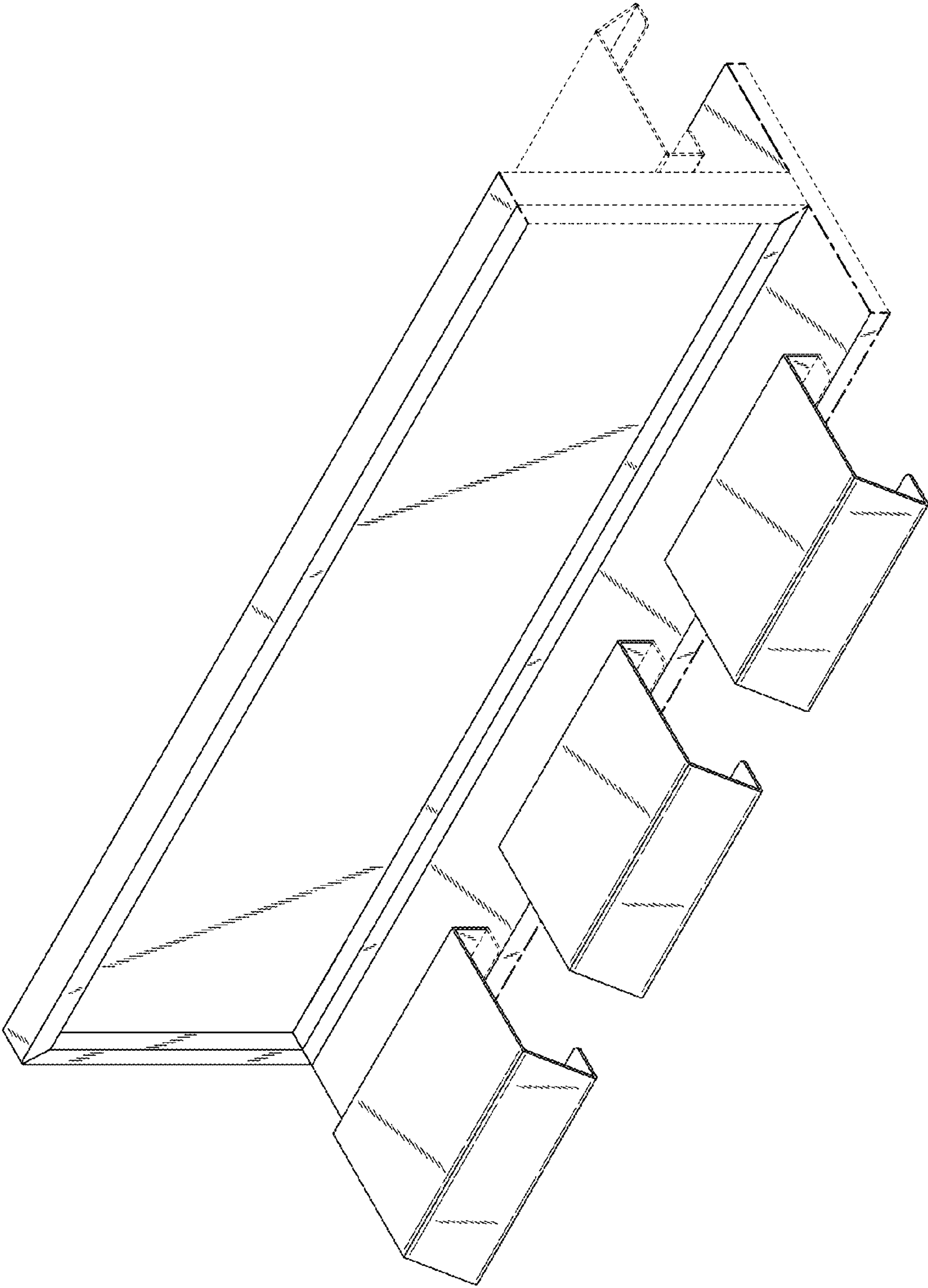


FIG. 1

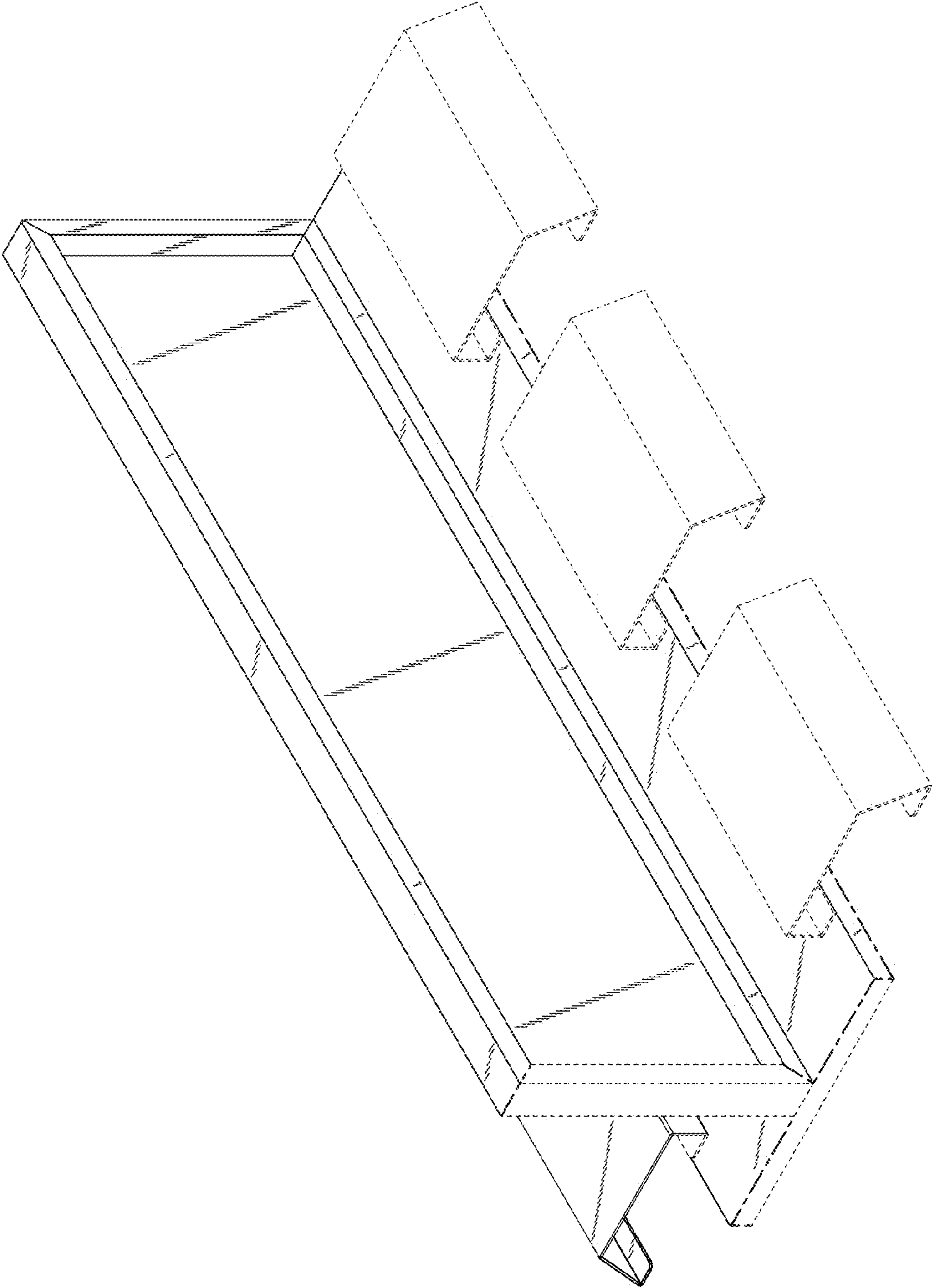


FIG. 2

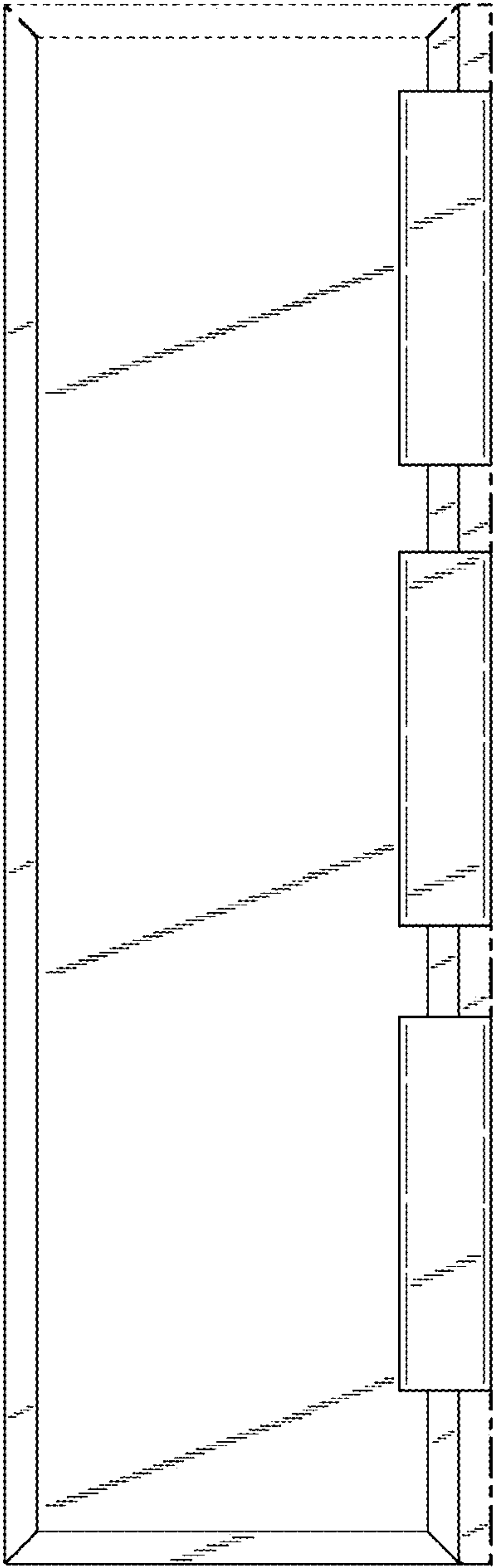


FIG. 3

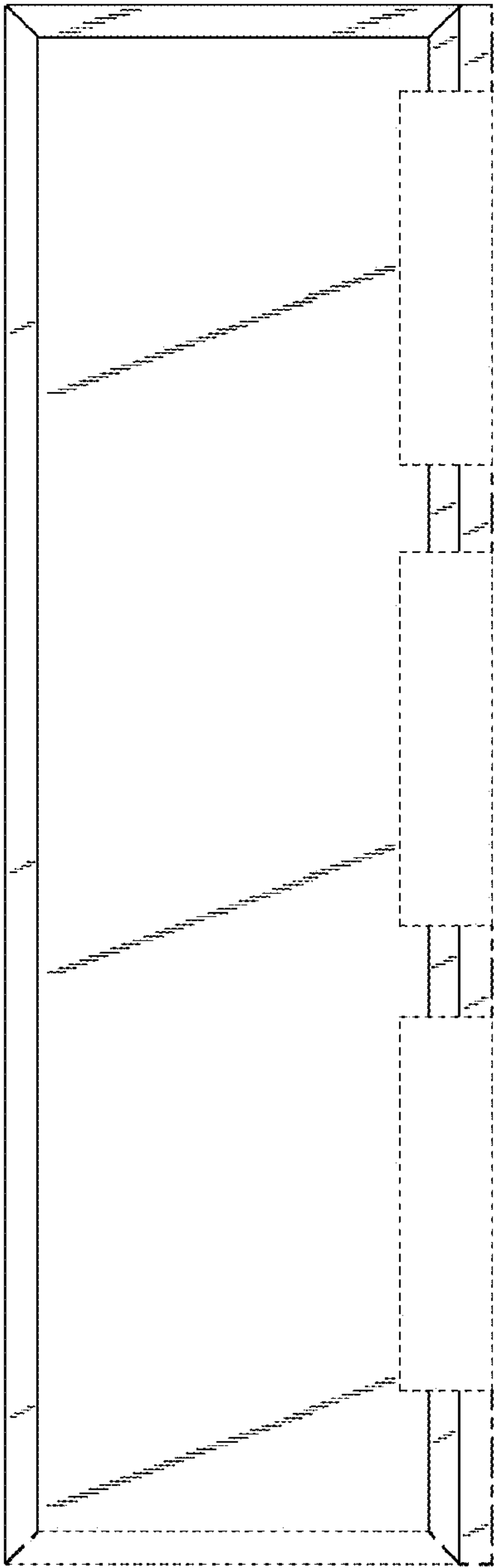


FIG. 4

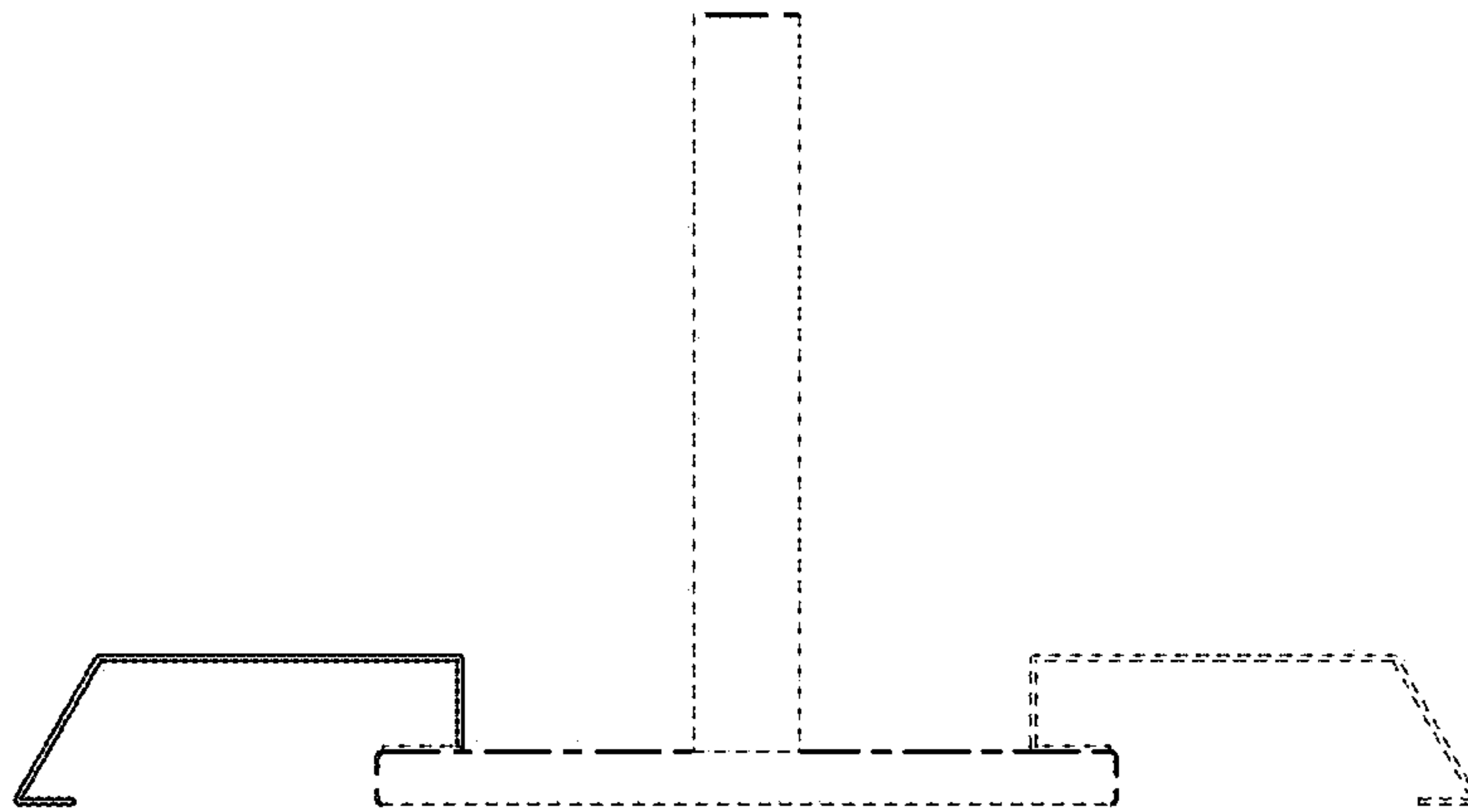


FIG. 5

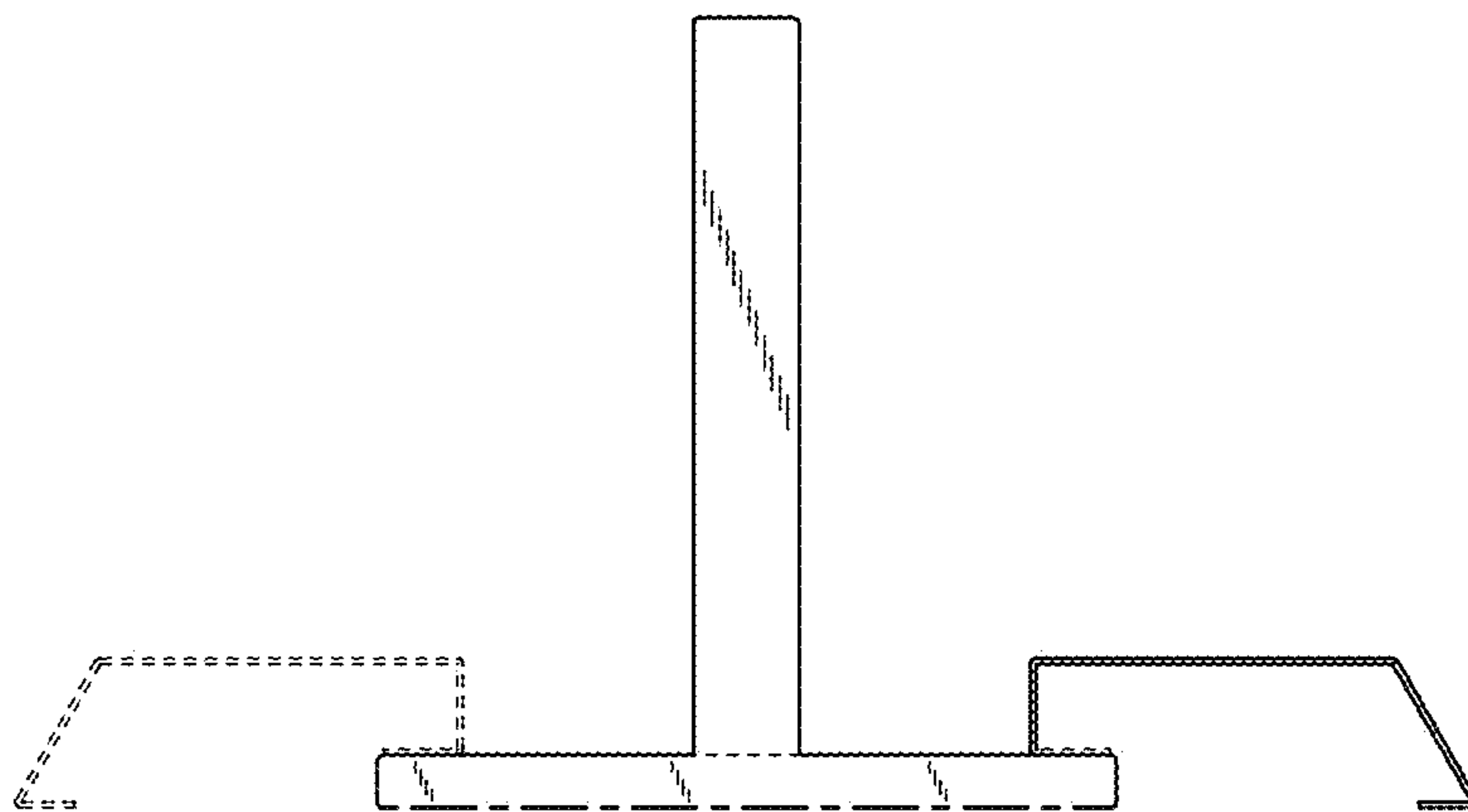


FIG. 6

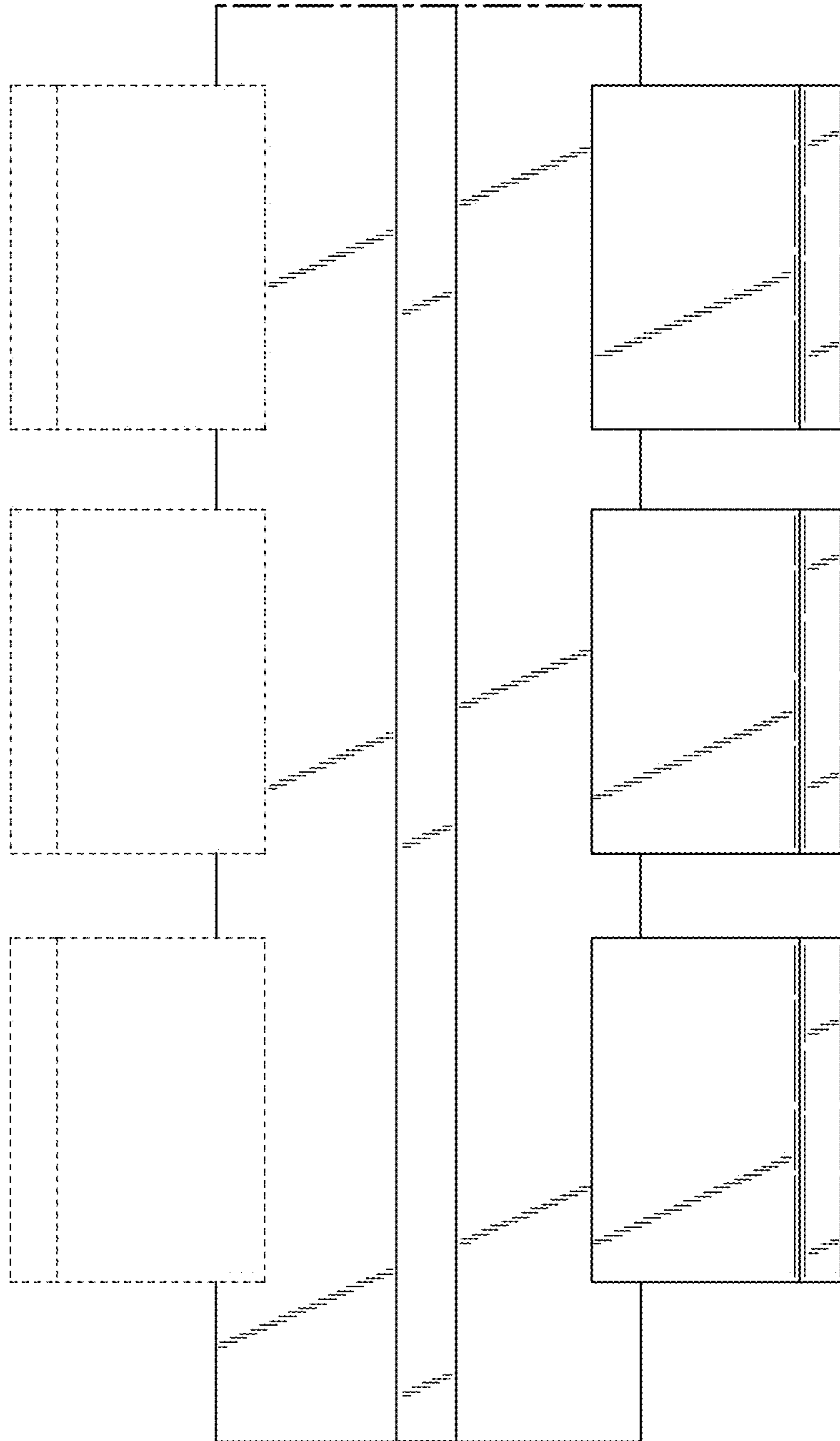


FIG. 7

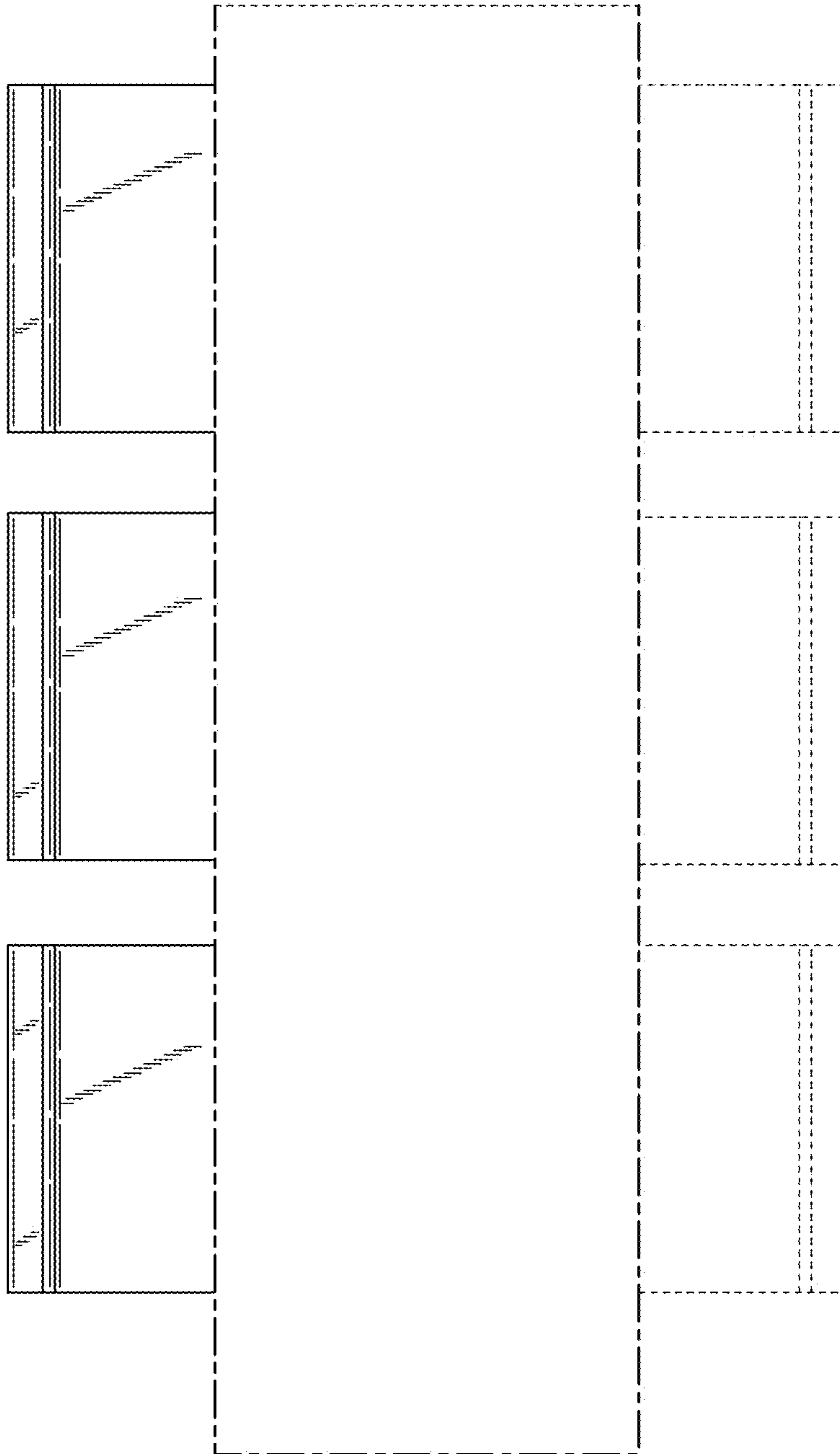


FIG. 8