



US00D914400S

(12) **United States Design Patent** (10) **Patent No.:** **US D914,400 S**  
**Davis et al.** (45) **Date of Patent:** **\*\* \*Mar. 30, 2021**

(54) **CONSOLE**  
(71) Applicant: **WALKER EDISON FURNITURE COMPANY LLC**, Salt Lake City, UT (US)  
(72) Inventors: **Matthew Davis**, Millcreek, UT (US); **Brad Bonham**, Draper, UT (US); **Richard A. Packer**, Kaysville, UT (US); **Tiffany Duhadway**, Salt Lake City, UT (US)

D61,344 S 8/1922 Mayer  
1,475,088 A 11/1923 Specht et al.  
D64,390 S 4/1924 Arons  
D64,922 S 6/1924 Nail  
D66,028 S 11/1924 Lyons et al.  
D66,889 S 3/1925 Schleicher  
1,538,393 A 5/1925 Martin  
D68,065 S 8/1925 Schleicher  
D68,659 S 11/1925 Smith  
(Continued)

**FOREIGN PATENT DOCUMENTS**

(73) Assignee: **WALKER EDISON FURNITURE COMPANY LLC**, West Jordan, UT (US)

CN 304770575 8/2018  
EM 003068485-0003 4/2016  
(Continued)

(\*) Notice: This patent is subject to a terminal disclaimer.  
(\*\*) Term: **15 Years**

**OTHER PUBLICATIONS**

U.S. Appl. No. 29/611,962, filed Jul. 27, 2017, Davis.  
(Continued)

(21) Appl. No.: **29/698,924**  
(22) Filed: **Jul. 22, 2019**  
(51) **LOC (13) Cl.** ..... **06-04**  
(52) **U.S. Cl.**  
USPC ..... **D6/657**  
(58) **Field of Classification Search**  
USPC ..... D6/657, 659, 660, 661, 662, 662.1, 671, D6/671.1  
CPC . A47B 67/00; A47B 67/04; A47B 2220/0072; A47B 2220/01; A47B 85/00  
See application file for complete search history.

*Primary Examiner* — Cathron C Brooks  
(74) *Attorney, Agent, or Firm* — Workman Nydegger

(57) **CLAIM**

The ornamental design for a console, as shown and described.

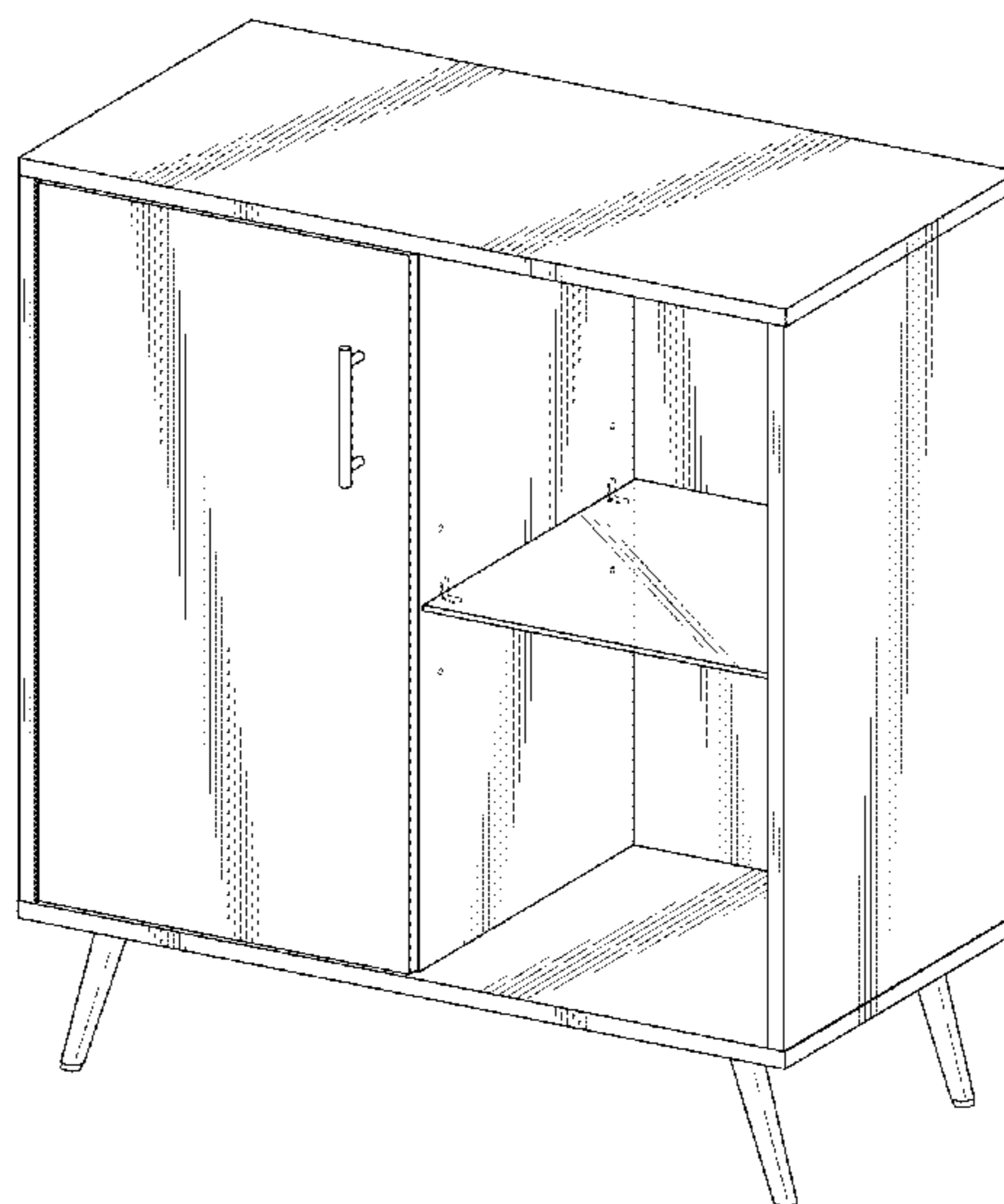
**DESCRIPTION**

FIG. 1 is a front perspective view of a console showing the new design;  
FIG. 2 is a front elevation view thereof;  
FIG. 3 is a back elevation view thereof;  
FIG. 4 is a top plan view thereof;  
FIG. 5 is a bottom plan view thereof;  
FIG. 6 is a right elevation view thereof; and,  
FIG. 7 is a left elevation view thereof.  
The broken lines in the drawings are for the purpose of illustrating portions of the article that form no part of the claimed design.

(56) **References Cited**  
U.S. PATENT DOCUMENTS

245,925 A 8/1881 Kinsley  
309,799 A 12/1884 Poulson  
887,168 A 5/1908 Will  
1,097,697 A 5/1914 Weston  
D47,441 S 6/1915 Ullin  
D47,600 S 7/1915 Koch

**1 Claim, 4 Drawing Sheets**



(56)

References Cited

U.S. PATENT DOCUMENTS

D78,127 S	3/1929	Schleicher		D348,576 S	7/1994	Narramore
D103,250 S	2/1937	Parrish		D348,726 S	7/1994	Wilson
D120,370 S *	5/1940	Bach .....	D6/657	D353,960 S	1/1995	Barfield
2,207,307 A	7/1940	Teller		5,409,122 A	4/1995	Lazarus
D165,241 S	11/1951	Porter		5,452,812 A	9/1995	Niequist
D166,077 S	3/1952	Haas		D363,176 S	10/1995	Berry
2,696,419 A	12/1954	Wallance		D363,841 S	11/1995	Nourse
D175,869 S	10/1955	Trout		D364,055 S	11/1995	Pakla
2,743,720 A	5/1956	Dollinger		D364,064 S	11/1995	Lorenz
D182,832 S *	5/1958	Lubberts et al. ....	D6/657	5,463,966 A	11/1995	Nilsson
D182,836 S	5/1958	Lubberts		D365,472 S	12/1995	Rehnberg
2,850,346 A	9/1958	Holderle		D366,110 S	1/1996	Darr
D186,115 S	9/1959	Church		D367,383 S	2/1996	Hatrick-Smith
2,918,176 A	12/1959	Bell		D373,693 S	9/1996	Elhage
D187,232 S *	2/1960	Matyas .....	D6/657	5,628,256 A	5/1997	Lazarus
D188,196 S	6/1960	Lubberts		D384,227 S	9/1997	Grosfillex
D188,197 S	6/1960	Swarts		D385,431 S	10/1997	Lee
3,039,621 A	6/1962	Pilcher		5,695,081 A	12/1997	Alkalay
D193,516 S *	9/1962	Denton .....	D6/657	D389,343 S	1/1998	Van Der Merwe
D195,726 S	7/1963	Harper		D390,936 S	2/1998	French
D196,451 S	10/1963	McMullen		5,752,500 A	5/1998	Jamieson
3,217,671 A	11/1965	Walsh		5,782,231 A	7/1998	Wade
3,272,582 A	9/1966	Anderson		D398,788 S	9/1998	Schubert
3,352,615 A	11/1967	Sandin		5,833,084 A	11/1998	Chang
3,354,878 A	11/1967	Balls		D403,529 S	1/1999	De Blaay
D220,704 S	5/1971	Kramer		D404,937 S	2/1999	Tarlow
3,589,746 A	6/1971	Inglis		D407,577 S	4/1999	Dorst
RE27,186 E	10/1971	Ferdinand		D408,174 S	4/1999	Aspenwall
RE27,200 E	10/1971	Ferdinand et al.		D420,114 S	2/2000	Johnson
3,688,707 A	9/1972	Maurice		D423,810 S	5/2000	Dorst
3,762,789 A	10/1973	Robertson		D423,813 S	5/2000	Paus
3,766,863 A	10/1973	Swick		D425,330 S	5/2000	O'Hare
D230,446 S	2/1974	Price		6,074,029 A	6/2000	Snoke
D233,294 S	10/1974	Goulder		D428,609 S	7/2000	Williams
D236,676 S	9/1975	Urti		D430,431 S	9/2000	Walter
D236,781 S	9/1975	Cowley		D440,079 S	4/2001	Wohlford
D238,277 S	12/1975	Parker		D448,203 S	9/2001	Jeup
D239,352 S	3/1976	Petrick		D449,184 S	10/2001	Cain
D240,381 S	7/1976	Tazaki		D450,492 S	11/2001	Sabo
D244,112 S	4/1977	Friedman		D452,624 S	1/2002	de Blois
D244,113 S	4/1977	Friedman		D454,264 S	3/2002	Patik
D248,429 S	9/1978	Robinson		D454,732 S	3/2002	Frenkler
D249,429 S	9/1978	Robinson		D455,916 S	4/2002	Fluhrer
D249,860 S	10/1978	Ungaro		6,393,207 B1	5/2002	Martin
4,182,244 A	1/1980	Hutchins		D462,008 S	8/2002	Stone
D259,316 S	5/1981	Offredi		D466,333 S	12/2002	Hwang
D262,847 S	2/1982	Keller		6,515,262 B1	2/2003	Li
D267,532 S	1/1983	Platner		D473,404 S	4/2003	De Blois
D269,754 S	7/1983	Kates		D475,225 S	6/2003	McBrayer
D270,858 S	10/1983	McInnes		D477,160 S	7/2003	Grosfillex
D273,829 S	5/1984	Desnoyers		D478,432 S	8/2003	Juneau
D274,152 S	6/1984	Fleming		D479,925 S	9/2003	Hsieh
D281,901 S	12/1985	Demrick		D485,450 S	1/2004	Smith
D283,182 S	4/1986	Marshall		D485,709 S	1/2004	de Blois
D283,343 S	4/1986	Haythornthwaite		D486,015 S	2/2004	De Blois
D289,474 S	4/1987	Underwood		D492,989 S	7/2004	Beck
D293,177 S	12/1987	Hamami		D495,527 S	9/2004	Walker
D293,521 S	1/1988	Handler		D495,898 S	9/2004	Walker
4,793,667 A	12/1988	Gilliom		6,789,859 B1	9/2004	Ho
D303,596 S	9/1989	Goetz		D497,741 S	11/2004	Sexton
D304,982 S	12/1989	Bush		D499,274 S	12/2004	Juneau
D305,930 S	2/1990	MacAleese		D499,281 S	12/2004	Yamaguchi
D306,106 S	2/1990	Bush		D499,583 S	12/2004	Anderson
D319,230 S	8/1991	Sugiyama		D502,617 S	3/2005	Chang
5,036,778 A	8/1991	Briosi		D503,570 S	4/2005	Anderson
D319,743 S	9/1991	Grey		D507,428 S	7/2005	Weatherly
D322,184 S	12/1991	Prevedello		D510,211 S	10/2005	Welborn, Jr.
D325,680 S	4/1992	Kiiski		D519,203 S	4/2006	Haas
D327,735 S	7/1992	Smith		D519,299 S	4/2006	Boudreau
D328,341 S	7/1992	Chiu		D520,779 S	5/2006	DeBlois
D329,693 S	9/1992	Mills		D522,771 S	6/2006	Berry
D330,470 S	10/1992	Bennett		D522,773 S	6/2006	Becker
D336,184 S	6/1993	Borgen		D528,327 S	9/2006	O'Reilly
D336,392 S	6/1993	Whalen		D531,835 S	11/2006	Harwanko
D347,754 S	6/1994	Mehlin		D534,379 S	1/2007	Juneau
				D534,998 S	1/2007	Charnick
				D536,770 S	2/2007	Mayer
				D538,406 S	3/2007	Mayer
				D539,057 S	3/2007	Senda

(56)

References Cited

U.S. PATENT DOCUMENTS

D542,059 S	5/2007	Moyle	D675,716 S	2/2013	Schwartz
D543,057 S	5/2007	Grady	D677,074 S	3/2013	Olson
D543,728 S	6/2007	Becker	D687,250 S	8/2013	Weatherly
D548,488 S	8/2007	Weatherly	D694,873 S	12/2013	Nemes
D548,490 S	8/2007	Becker	D696,758 S	12/2013	Ernst
D549,991 S	9/2007	Stravitz	8,607,776 B2	12/2013	Jansson
D553,879 S	10/2007	Juneau	8,813,656 B1	8/2014	Hazzard
D554,393 S	11/2007	Yalif	D716,288 S	10/2014	O'Heron
D555,397 S	11/2007	Yalif	D717,081 S	11/2014	Dworman
D559,017 S	1/2008	Domack	D717,569 S	11/2014	Davis
D559,583 S	1/2008	Zambelli	D718,956 S	12/2014	Helser
D559,584 S	1/2008	Zambelli	D718,957 S	12/2014	Helser
D559,585 S *	1/2008	Lara ..... D6/657	D719,384 S	12/2014	Sowers
D560,077 S	1/2008	Zambelli	D720,563 S	1/2015	Burden
D560,396 S	1/2008	Weatherly	D723,148 S	2/2015	Lawrence
D560,403 S	1/2008	Domack	D723,843 S	3/2015	Lai
D560,930 S	2/2008	Woodward	9,004,060 B2	4/2015	Benedetti
D561,317 S	2/2008	Ou	D728,975 S	5/2015	Park
D562,597 S	2/2008	Weatherly	D730,089 S	5/2015	Carbone
D564,789 S	3/2008	deCarolis	D731,823 S	6/2015	Kelinske
D567,346 S	4/2008	Lin	D736,012 S	8/2015	Davis
D587,483 S	3/2009	Zambelli	D737,418 S	8/2015	Hrydovyy
D587,484 S	3/2009	Domack	D738,477 S	9/2015	Nemes
D587,497 S	3/2009	Zambelli	D738,647 S	9/2015	Muller
D588,831 S	3/2009	Mohundro	D741,090 S	10/2015	Ward
D589,280 S	3/2009	Zambelli	D741,630 S	10/2015	Meissner
D591,533 S	5/2009	Karsson	D742,142 S	11/2015	Everson
D592,432 S	5/2009	Sexton	D742,662 S	11/2015	Muller
7,530,538 B2	5/2009	Whalen	D743,192 S	11/2015	Davis
D593,776 S	6/2009	Sexton	D746,614 S	1/2016	Sheppard
D594,248 S	6/2009	Zambelli	D747,123 S	1/2016	Zambelli
D595,979 S	7/2009	Schweikarth	D747,788 S	1/2016	Baker
D598,672 S	8/2009	Maly	D747,900 S	1/2016	Sheppard
D604,546 S	11/2009	Alman	9,228,742 B2	1/2016	Akiyama
D605,874 S	12/2009	Zambelli	D748,768 S	2/2016	Stanton
D606,331 S	12/2009	Wicha	D752,905 S	4/2016	Healy
D609,503 S	2/2010	Hayes	D753,930 S	4/2016	Vengadakrishnan
D611,727 S	3/2010	Vail	D757,350 S	5/2016	Levy
D614,888 S	5/2010	Sexton	D758,766 S	6/2016	Kirar
D618,015 S	6/2010	Sexton	D759,997 S	6/2016	Ruiz
D618,016 S	6/2010	Metcalf	D767,752 S	9/2016	Davis
D620,278 S	7/2010	Zambelli	D767,753 S	9/2016	Edmund
D620,283 S	7/2010	Calco	D768,413 S	10/2016	Huang
D622,834 S	8/2010	Jiang	D773,862 S	12/2016	Davis
D623,442 S	9/2010	Zambelli	D775,866 S	1/2017	Ben Avi
D623,876 S	9/2010	Zambelli	D777,479 S	1/2017	Anderson
D623,877 S	9/2010	Zambelli	D778,641 S	2/2017	Anderson
D625,123 S	9/2010	Zambelli	D778,646 S	2/2017	Davis
D630,453 S	1/2011	Rafieha	D783,324 S	4/2017	Akana
D632,902 S	2/2011	Rafieha	D791,302 S	7/2017	Davis
D638,922 S	5/2011	Zhou	D791,522 S	7/2017	Rafieha
7,934,494 B1	5/2011	Schneider	D792,132 S	7/2017	Peota
D640,072 S	6/2011	Sexton	D793,776 S	8/2017	Davis
D641,861 S	7/2011	Okamoto	D798,640 S	10/2017	Anderson
D644,853 S	9/2011	Becker	D804,861 S	12/2017	Failing
D653,051 S	1/2012	Lin	D807,671 S	1/2018	Caillouet
D653,739 S	2/2012	Gibbs	D808,203 S	1/2018	Davis
D654,289 S	2/2012	Zambelli	D808,688 S	1/2018	Everson
D654,995 S	2/2012	Asofsky	D808,690 S	1/2018	Hsu
D654,996 S	2/2012	Asofsky	D812,938 S	3/2018	Moore
D655,946 S *	3/2012	Sexton ..... D6/661	D814,410 S	4/2018	Emslie
D658,750 S	5/2012	Nemes	D815,465 S *	4/2018	Hannoosh ..... D6/657
D663,137 S	7/2012	Andersen	D817,037 S	5/2018	Davis
D663,138 S	7/2012	Andersen	D817,038 S	5/2018	Davis
D665,897 S	8/2012	Martin	D817,040 S	5/2018	Davis
D666,281 S	8/2012	Nemes	D817,666 S	5/2018	Davis
D667,653 S	9/2012	Lenney	D817,667 S	5/2018	Davis
D667,654 S	9/2012	Lenney	D818,750 S	5/2018	Hannoosh
D668,475 S	10/2012	Zambelli	D821,038 S	6/2018	Rathman
D669,704 S	10/2012	Zambelli	D824,703 S	8/2018	Yamamoto
D669,706 S	10/2012	Zambelli	D825,233 S	8/2018	Yamamoto
D669,707 S	10/2012	Zambelli	D825,959 S	8/2018	Rockwell
D670,105 S	11/2012	Jespersen	D833,782 S	11/2018	Amacher
D671,769 S	12/2012	Olson	D834,354 S	11/2018	Davis
D674,891 S	1/2013	Huang	D834,355 S	11/2018	Davis
			D835,437 S	12/2018	Stukenberg
			D835,925 S	12/2018	Denby
			D838,523 S	1/2019	Yamamoto
			D843,756 S	3/2019	Johnson

(56)

References Cited

U.S. PATENT DOCUMENTS

D845,041 S 4/2019 Davis  
 D845,679 S 4/2019 Li  
 D845,683 S 4/2019 Pedersen  
 D848,766 S 5/2019 Chen  
 D848,767 S 5/2019 Smrstick  
 D848,768 S 5/2019 Johnson  
 D848,770 S 5/2019 Davis  
 D849,457 S 5/2019 Kundig  
 D850,815 S 6/2019 Nicoll  
 D851,426 S 6/2019 Saotome  
 D852,429 S 6/2019 Rathman  
 D853,052 S 7/2019 Rathman  
 D858,148 S 9/2019 Crutcher  
 D859,038 S 9/2019 Davis  
 D860,687 S 9/2019 Parikh  
 D861,388 S 10/2019 Bray  
 D862,940 S 10/2019 Bray  
 D866,225 S 11/2019 Gelman  
 D867,032 S 11/2019 Bellini  
 D869,201 S \* 12/2019 Davis ..... D6/669  
 D869,202 S 12/2019 Davis  
 D870,492 S 12/2019 Young  
 D870,493 S 12/2019 Young  
 D874,192 S 2/2020 Velez  
 D878,116 S 3/2020 Davis  
 D878,816 S 3/2020 Davis  
 D878,817 S 3/2020 Davis  
 D878,823 S \* 3/2020 Davis ..... D6/669  
 D879,516 S 3/2020 Davis  
 D882,989 S 5/2020 Davis  
 D885,091 S 5/2020 Davis  
 D886,499 S 6/2020 Davis  
 D888,467 S 6/2020 Li  
 D891,831 S 8/2020 Davis  
 D894,641 S 9/2020 Davis  
 D900,510 S 11/2020 Davis  
 2004/0074858 A1 4/2004 Thuma  
 2004/0079714 A1 4/2004 Andrew  
 2004/0222721 A1 11/2004 Kelley  
 2004/0237853 A1 12/2004 Sholz  
 2005/0000241 A1 1/2005 Kucera  
 2005/0103734 A1 5/2005 Saltzberg  
 2007/0062983 A1 3/2007 Barnett  
 2007/0138119 A1 6/2007 Schwerdlin  
 2007/0236111 A1 10/2007 Gray  
 2007/0236113 A1 10/2007 McCambridge  
 2008/0116771 A1 5/2008 Green  
 2008/0181587 A1 7/2008 Patil  
 2008/0203042 A1 8/2008 Felsenthal  
 2008/0216817 A1 9/2008 Yungbluth  
 2009/0025414 A1 1/2009 Koga  
 2009/0151375 A1 6/2009 Tarr  
 2009/0170421 A1 7/2009 Adrian  
 2009/0220221 A1 9/2009 Zhou  
 2010/0307179 A1 12/2010 Fava  
 2011/0000477 A1 1/2011 Kwon  
 2011/0017691 A1 1/2011 Wu  
 2011/0079688 A1 4/2011 Grove  
 2011/0080261 A1 4/2011 Asofsky  
 2011/0120166 A1 5/2011 Nadel  
 2011/0220090 A1 9/2011 Atemboski  
 2014/0116418 A1 5/2014 Thomas  
 2014/0239136 A1 8/2014 Ortega  
 2014/0252939 A1 9/2014 Tunzi  
 2014/0265754 A1 9/2014 Patterson  
 2014/0265807 A1 9/2014 Kendall  
 2014/0318529 A1 10/2014 Nielsen  
 2015/0182021 A1 7/2015 Chang  
 2015/0323190 A1 11/2015 Stein  
 2016/0018112 A1 1/2016 Phillips  
 2016/0100698 A1 4/2016 Clark  
 2016/0157605 A1 6/2016 Grad  
 2016/0209102 A1 7/2016 Vulava  
 2016/0223213 A1 8/2016 Grohova  
 2016/0256032 A1 9/2016 Bhajak

2017/0089587 A1 3/2017 Nemes  
 2017/0211814 A1 7/2017 Bourne  
 2018/0064246 A1 3/2018 Kassanoff

FOREIGN PATENT DOCUMENTS

EM 003254200-0003 6/2016  
 EM 005646783-0006 9/2018  
 GB 6041896 8/2018

OTHER PUBLICATIONS

U.S. Appl. No. 29/611,963, filed Jul. 27, 2017, Davis.  
 U.S. Appl. No. 29/634,946, filed Jan. 25, 2018, Davis.  
 U.S. Appl. No. 29/634,903, filed Jan. 25, 2018, Davis.  
 U.S. Appl. No. 29/654,941, filed Jun. 28, 2018, Davis.  
 U.S. Appl. No. 29/654,935, filed Jun. 28, 2018, Davis.  
 U.S. Appl. No. 29/654,950, filed Jun. 28, 2018, Davis.  
 U.S. Appl. No. 29/720,093, filed Jan. 9, 2020, Davis.  
 U.S. Appl. No. 29/656,499, filed Jul. 12, 2018, Davis.  
 U.S. Appl. No. 29/656,479, filed Jul. 12, 2018, Davis.  
 U.S. Appl. No. 29/656,485, filed Jul. 12, 2018, Davis.  
 U.S. Appl. No. 29/656,486, filed Jul. 12, 2018, Davis.  
 U.S. Appl. No. 29/656,497, filed Jul. 12, 2018, Davis.  
 U.S. Appl. No. 29/654,930, filed Jun. 28, 2018, Davis.  
 U.S. Appl. No. 29/654,936, filed Jun. 28, 2018, Davis.  
 U.S. Appl. No. 29/654,952, filed Jun. 28, 2018, Davis.  
 U.S. Appl. No. 29/656,492, filed Jul. 12, 2018, Davis.  
 U.S. Appl. No. 29/656,489, filed Jul. 12, 2018, Davis.  
 U.S. Appl. No. 29/634,889, filed Jan. 25, 2018, Davis.  
 U.S. Appl. No. 29/677,722, filed Jan. 23, 2019, Davis.  
 U.S. Appl. No. 29/677,723, filed Jan. 23, 2019, Davis.  
 U.S. Appl. No. 29/677,724, filed Jan. 23, 2019, Davis.  
 U.S. Appl. No. 29/677,738, filed Jan. 23, 2019, Davis.  
 U.S. Appl. No. 29/677,755, filed Jan. 23, 2019, Davis.  
 U.S. Appl. No. 29/677,761, filed Jan. 23, 2019, Davis.  
 U.S. Appl. No. 29/698,919, filed Jul. 22, 2019, Davis.  
 U.S. Appl. No. 29/698,928, filed Jul. 22, 2019, Davis.  
 U.S. Appl. No. 29/698,940, filed Jul. 22, 2019, Davis.  
 U.S. Appl. No. 29/699,063, filed Jul. 23, 2019, Davis.  
 U.S. Appl. No. 29/699,066, filed Jul. 23, 2019, Davis.  
 U.S. Appl. No. 29/714,849, filed Nov. 26, 2019, Davis.  
 U.S. Appl. No. 29/699,071, filed Jul. 23, 2019, Davis.  
 U.S. Appl. No. 29/699,073, filed Jul. 23, 2019, Davis.  
 U.S. Appl. No. 29/699,078, filed Jul. 23, 2019, Davis.  
 U.S. Appl. No. 29/698,942, filed Jul. 22, 2019, Davis.  
 U.S. Appl. No. 29/698,947, filed Jul. 22, 2019, Davis.  
 U.S. Appl. No. 29/720,729, filed Jan. 15, 2020, Davis.  
 U.S. Appl. No. 29/720,732, filed Jan. 15, 2020, Davis.  
 U.S. Appl. No. 29/721,435, filed Jan. 21, 2020, Davis.  
 U.S. Appl. No. 29/720,734, filed Jan. 15, 2020, Davis.  
 U.S. Appl. No. 29/720,923, filed Jan. 16, 2020, Davis.  
 U.S. Appl. No. 29/720,927, filed Jan. 16, 2020, Davis.  
 U.S. Appl. No. 29/720,942, filed Jan. 16, 2020, Davis.  
 U.S. Appl. No. 29/720,948, filed Jan. 16, 2020, Davis.  
 U.S. Appl. No. 29/721,166, filed Jan. 17, 2020, Davis.  
 U.S. Appl. No. 29/743,237, filed Jul. 20, 2020, Packer.  
 U.S. Appl. No. 29/743,240, filed Jul. 20, 2020, Packer.  
 U.S. Appl. No. 29/743,244, filed Jul. 20, 2020, Packer.  
 U.S. Appl. No. 29/743,246, filed Jul. 20, 2020, Packer.  
 U.S. Appl. No. 29/743,247, filed Jul. 20, 2020, Packer.  
 U.S. Appl. No. 29/743,250, filed Jul. 20, 2020, Packer.  
 U.S. Appl. No. 29/743,416, filed Jul. 21, 2020, Packer.  
 U.S. Appl. No. 29/743,418, filed Jul. 21, 2020, Packer.  
 U.S. Appl. No. 29/743,423, filed Jul. 21, 2020, Packer.  
 U.S. Appl. No. 29/743,584, filed Jul. 22, 2020, Packer.  
 U.S. Appl. No. 29/728,971, filed Mar. 23, 2020, Davis.  
 Electric fireplace, image post date May 26, 2014, site visited Aug. 8, 2016, (online), <<https://www.tineye.com/search/3c3d0cbfb7030b3079ebefa0774a5b4e94120332/?pluginver>.  
 Media Console with Electric Fireplace, image post date Dec. 6, 2015, site visited Aug. 8, 2016, (online), <<http://www.overstock.com/Home-Garden/Media-Console-with-Electric-Fireplace-in>

(56)

## References Cited

## OTHER PUBLICATIONS

Barnwood/10309735/product.html?reset=05953330-aaa1-4640-a796-f225c2f8176d&refccid=MRISGGB2MZGZXYKK4EFVI25H6Q&recalg=809,828,512&recidx=1#reviews.

Tv Stand With Fireplace, image post date Sep. 12, 2015, site visited Aug. 8, 2016, (online), <<https://www.tineye.com/search/77be8934bf07249cbb245c8ea0f719199437b185/>>.

Walker Edison TV Stand with Fireplace Insert, image post date Jul. 31, 2015, site visited Aug. 8, 2016, (online), <<https://www.amazon.com/Walker-Edison-Fireplace-Insert-Espresso/dp/BOOPNONTAK>>.

Manchester Fireplace TV Console, image post date Dec. 17, 2015, site visited Aug. 8, 2016, (online), <<http://www.walmart.com/ip/Manchester-Media-Fireplace-Stand-for-TVs-up-to-70/46360223>>.

Monet Fireplace; Canadian Tire Company website: <http://www.canadiantire.ca/en/pdp/monet-fireplace-0643572p.html>; retrieved on Dec. 21, 2016.

TV and Media Consoles, image post date Sep. 21, 2013, site visited Oct. 26, 2016, (online), <<http://web.archive.org/web/20130921074219/http://www.electrictireplacesdirect.com/Gallery/tv-and-media-consoles.html>>.

"Kendall Electric Media Fireplace—Espresso" Dec. 24, 2012, amazon.com, site visited Mar. 6, 2018 <[https://www.amazon.com/Kendall-Electric-Media-Fireplace-Espresso/dp/B009LIT6XQ/ref=cm\\_cr\\_ar\\_p\\_d\\_product\\_top?ie=UTF8](https://www.amazon.com/Kendall-Electric-Media-Fireplace-Espresso/dp/B009LIT6XQ/ref=cm_cr_ar_p_d_product_top?ie=UTF8)> (Year: 2012).

"Whalen Media Fireplace Console for TVs up to 70" Gray" Nov. 24, 2015, walmart.com, site visited Mar. 6, 2018 <<https://www.walmart.com/ip/Whalen-Media-Fireplace-Console-for-TVs-up-to-70-Gray/54189794>> (Year: 2015).

"Boston Loft Furnishings . . ." Nov. 7, 2016, themine.com, site visited Mar. 2, 2018 <[https://www.themine.com/tv-stands/boston-loft-furnishings-reamrock-infrared-electric-fireplace-media-stand-with-convertible-corner\\_g2733659.html](https://www.themine.com/tv-stands/boston-loft-furnishings-reamrock-infrared-electric-fireplace-media-stand-with-convertible-corner_g2733659.html)> (Year: 2016).

"Ameriwood Home Everett 70-inch . . ." Dec. 6, 2016, overstock.com, site visited Mar. 2, 2018 <<https://www.overstock.com/Home-Garden/Ameriwood-Home-Everett-70-inch-Sonoma-Oak-TV-Stand-with-Glass-Doors/12710691/product.html>> (Year: 2016).

Metal Coffee Table; <https://www.overstock.com/Home-Garden/42-Metal-Coffee-Table-42-x-24-x-18h/15951452/product.html> Retrieved on Nov. 13, 2018.

Modern Two-Tone Writing Desk; <https://www.overstock.com/Home-Garden/44-Modern-Two-Tone-Writing-Desk/19684325/product.html> Retrieved on Nov. 13, 2018.

Czapla TV Stand for TVs up to 65"; <https://www.allmodern.com/furniture/pdp/mercury-row-czapla-tv-stand-for-tvs-up-to-65-a000303456.html> ; Retrieved on May 7, 2019.

Nelson Media Cabinet; <https://www.franceandson.com/collections/storage-shelving-media-cabinets/products/nelson-media-cabinet36051> ; Retrieved on May 7, 2019.

Hal TV Stand for TVs up to 60"; <https://www.allmodern.com/furniture/pdp/hal-tv-stand-for-tvs-up-to-60-a000176456.html> ; Retrieved on May 7, 2019.

Wigington TV Stand for TVs up to 60"; <https://www.allmodern.com/furniture/pdp/wigington-tv-stand-for-tvs-up-to-60-golv3670.html?piid> ; Retrieved on May 7, 2019.

Cliffmay Slat Media Stand Light Oak Brown—Project 62; [https://www.target.com/p/cliffmay-slat-media-stand-light-oak-brown-project-62-153/-/A-53517373?ref=tgt\\_adv\\_XS000000&AFID=google\\_pla\\_df&fndsrc=gtao&CPNG=PLA\\_Furniture%2BShopping\\_Priority%2BBrands&adgroup=SC\\_Project+62&LID=700000001170770pgs&network=g&device=c&location=9029756&gclid=aw.ds&ds\\_rl=1246978&ds\\_rl=1247068&ds\\_rl=1246978&ref=tgt\\_adv\\_XS000000&AFID=google\\_pla\\_df&CPNG=PLA\\_Furniture+Shopping\\_Priority+Brands&adgroup=SC\\_Project%2062&LID=700000001170770pgs&network=g&device=c&location=9029756&gclid=EAlalQobChMI7Nb9wo-H3wIVBylpCh1fSg4IEAQYBSABEGK\\_yPD\\_BwE&gclid=aw.ds](https://www.target.com/p/cliffmay-slat-media-stand-light-oak-brown-project-62-153/-/A-53517373?ref=tgt_adv_XS000000&AFID=google_pla_df&fndsrc=gtao&CPNG=PLA_Furniture%2BShopping_Priority%2BBrands&adgroup=SC_Project+62&LID=700000001170770pgs&network=g&device=c&location=9029756&gclid=aw.ds&ds_rl=1246978&ds_rl=1247068&ds_rl=1246978&ref=tgt_adv_XS000000&AFID=google_pla_df&CPNG=PLA_Furniture+Shopping_Priority+Brands&adgroup=SC_Project%2062&LID=700000001170770pgs&network=g&device=c&location=9029756&gclid=EAlalQobChMI7Nb9wo-H3wIVBylpCh1fSg4IEAQYBSABEGK_yPD_BwE&gclid=aw.ds) ; Retrieved on May 7, 2019.

Audrey Woven Media Console 65"; <https://www.zinhome.com/audrey-woven-media-console-65/> ; Retrieved on May 14, 2019.

Demilune Mesh Door Industrial Sideboard; [https://belleescape.com/demilune-mesh-wire-door-industrial-chic-sideboard.html?\\_SID=U](https://belleescape.com/demilune-mesh-wire-door-industrial-chic-sideboard.html?_SID=U) ; Retrieved on May 14, 2019.

Tuk Cabinet; <https://blackroosterdecor.com/collections/storage-products/tuk-cabinet> ; Retrieved on May 14, 2019.

Rustic Style 31 Inches Metal TV Stand With Wire Mesh Doors Cabinet, Black; <https://casagear.com/products/rustic-style-31-inches-metal-tv-stand-with-wire-mesh-doors-cabinet-black>; May 14, 2019.

Geo-Marquetry Buffet; [https://www.anthropologie.com/shop/geo-marquetry-buffet?adpos=1o27&adtype=pla&cm\\_mmc=Google-US%20-%20Shopping%20-%20Furniture-Organizing%20and%20Storage-42699934&color=&countryCode=US&creative=191389729567&device=c&gclid=EAlalQobChMlvuTGgYOH3wIVEdNkCh3t8wRPEAkYGyABEGJG\\_PD\\_BwE&inventoryCountry=US&matchtype=&mrkgadid=3202938336&mrkgclid=694&network=g&product\\_id=42699934&quantity=1&size=ALL&type=STANDARD&utm\\_campaign=US%20-%20Shopping%20-%20Furniture&utm\\_content=42699934&utm\\_medium=paid%20search&utm\\_source=Google&utm\\_term=Organizing%20and%20Storage](https://www.anthropologie.com/shop/geo-marquetry-buffet?adpos=1o27&adtype=pla&cm_mmc=Google-US%20-%20Shopping%20-%20Furniture-Organizing%20and%20Storage-42699934&color=&countryCode=US&creative=191389729567&device=c&gclid=EAlalQobChMlvuTGgYOH3wIVEdNkCh3t8wRPEAkYGyABEGJG_PD_BwE&inventoryCountry=US&matchtype=&mrkgadid=3202938336&mrkgclid=694&network=g&product_id=42699934&quantity=1&size=ALL&type=STANDARD&utm_campaign=US%20-%20Shopping%20-%20Furniture&utm_content=42699934&utm_medium=paid%20search&utm_source=Google&utm_term=Organizing%20and%20Storage); Retrieved on May 14, 2019.

Suspend II Media Console; <https://www.cb2.com/suspend-ii-media-console/s523915>; Retrieved on May 14, 2019.

Hooker Furniture Melange Mirrored Angle Console; [https://www.furniturecrate.com/hooker-melange-mirrored-angle-console.html?gdftrk=gdfV21650\\_a\\_7c92\\_a\\_7c8357\\_a\\_7c654170&gclid=CjwKEAiA05unBRCymrGilanF9SwSjACqDFRm1WwgePUSp65sXRCI4RkJfScYn-yCjNuB-GTt3W-FxoCQL7w\\_wcB](https://www.furniturecrate.com/hooker-melange-mirrored-angle-console.html?gdftrk=gdfV21650_a_7c92_a_7c8357_a_7c654170&gclid=CjwKEAiA05unBRCymrGilanF9SwSjACqDFRm1WwgePUSp65sXRCI4RkJfScYn-yCjNuB-GTt3W-FxoCQL7w_wcB); Retrieved on May 14, 2019.

FurnitureMaxx Besteen Contemporary Wood Dark Gray Dining Room Server; [https://www.amazon.com/dp/B07GVS1VK2/ref=cm\\_sw\\_r\\_pi\\_dp\\_U\\_x\\_evuOBbFM3298G](https://www.amazon.com/dp/B07GVS1VK2/ref=cm_sw_r_pi_dp_U_x_evuOBbFM3298G); Retrieved on May 14, 2019.

Jaydyn Media TV Stand/Credenza; [https://www.macys.com/shop/product/jaydyn-media-tv-stand-credenza?ID=2883210&CategoryID=35319#fn=FURNITURE\\_CATEGORY=Buffet%20&mp;20Sideboards&SIZE=&sp=3&spc=131&ruleId=129%7CBOOST%20ATTRIBUTE%7CBOOST%20SAVED%20SET&searchPass=matchNone&slotId=2](https://www.macys.com/shop/product/jaydyn-media-tv-stand-credenza?ID=2883210&CategoryID=35319#fn=FURNITURE_CATEGORY=Buffet%20&mp;20Sideboards&SIZE=&sp=3&spc=131&ruleId=129%7CBOOST%20ATTRIBUTE%7CBOOST%20SAVED%20SET&searchPass=matchNone&slotId=2); Retrieved on May 14, 2019.

Sideboard; <https://www.allmodern.com/furniture/pdp/sideboard-sct11710.html>; Retrieved on May 14, 2019.

Belham Living Trenton Industrial End Table; [https://www.hayneedle.com/product/belham-living-trenton-industrial-end-table-new.cfm?source=pla&kwid=OccasionalTables%20iprefer&tid=REDU113-1&adtype=pla&kw=&gclid=EAlalQobChMIvOu-6veI3wIVB8ZkCh0ZdAf-EAkYAyABEGLyMfD\\_BwE](https://www.hayneedle.com/product/belham-living-trenton-industrial-end-table-new.cfm?source=pla&kwid=OccasionalTables%20iprefer&tid=REDU113-1&adtype=pla&kw=&gclid=EAlalQobChMIvOu-6veI3wIVB8ZkCh0ZdAf-EAkYAyABEGLyMfD_BwE); Retrieved on May 15, 2019.

Belham Living Hampton Chair Side Table—Black; <https://www.hayneedle.com/product/belham-living-hampton-chair-side-table-black.cfm>; Retrieved on May 15, 2019.

International Concepts Hampton End Table; [https://www.hayneedle.com/product/internationalconceptshamptonendtable.cfm?source=pla&kwid=OccasionalTables%20level05&tid=WWI545-1&adtype=pla&kw=&gclid=EAlalQobChMIpsnoq\\_ml3wIVGNVCh348gtdEAKYliABEGLP7fD\\_BwE](https://www.hayneedle.com/product/internationalconceptshamptonendtable.cfm?source=pla&kwid=OccasionalTables%20level05&tid=WWI545-1&adtype=pla&kw=&gclid=EAlalQobChMIpsnoq_ml3wIVGNVCh348gtdEAKYliABEGLP7fD_BwE); Retrieved on May 15, 2019.

Hampton Weathered Taupe Gray Coffee Table; [https://www.homedepot.com/p/International-Concepts-Hampton-Weathered-Taupe-Gray-Coffee-Table-OT09-70C/302946359?MERCH=REX-PIPHorizontal2\\_rr\\_-204737265\\_-302946359\\_-N](https://www.homedepot.com/p/International-Concepts-Hampton-Weathered-Taupe-Gray-Coffee-Table-OT09-70C/302946359?MERCH=REX-PIPHorizontal2_rr_-204737265_-302946359_-N); Retrieved on May 15, 2019.

Convenience Concepts Oxford Rectangle Coffee Table; [https://www.hayneedle.com/product/convenience-concepts-oxford-rectangle-coffee-table.cfm?source=pla&kwid=OccasionalTables%20newskus&tid=CONV338-5&adtype=pla&kw=&gclid=EAlalQobChMIhuzv9\\_ml3wIVWx-tBh1rUAItEAKYHyABEGJ2hPD\\_BwE](https://www.hayneedle.com/product/convenience-concepts-oxford-rectangle-coffee-table.cfm?source=pla&kwid=OccasionalTables%20newskus&tid=CONV338-5&adtype=pla&kw=&gclid=EAlalQobChMIhuzv9_ml3wIVWx-tBh1rUAItEAKYHyABEGJ2hPD_BwE); Retrieved on May 15, 2019.

Belham Living Jamestown Rustic Coffee Table with Unique Driftwood Finish; <https://www.hayneedle.com/product/jamestown-rustic-coffee-table.cfm>; Retrieved on May 15, 2019.

Pinterest; [www.pinterest.com/pin/336328451393621/](http://www.pinterest.com/pin/336328451393621/); Retrieved on Jun. 12, 2019.

Target Winham TV Stand—Threshold; [www.target.com/p/windham-tv-stand-threshold-153/-/A-54301349](http://www.target.com/p/windham-tv-stand-threshold-153/-/A-54301349); Retrieved on Jun. 12, 2019.

(56)

**References Cited**

## OTHER PUBLICATIONS

Pinterest DIY Farmhouse Coffee Table Cabinet; [www.pinterest.com/pin/33636328450994833/](http://www.pinterest.com/pin/33636328450994833/); Retrieved on Jun. 12, 2019.

Image seen on Pinterest DIY Project; Pinterest.com; Seen approximately Aug. 1, 2017.

World Market—Metal Bexley Bar; [www.worldmarket.com/product/metal+bexley+bar.do?pp=1](http://www.worldmarket.com/product/metal+bexley+bar.do?pp=1); Retrieved on Sep. 25, 2019.

Overstock—Nova Domus Soria Modern Walnut TV Stand; [https://www.overstock.com/Home-Garden/Nova-Domus-Soria-Modern-Walnut-TV-Stand/10359356/product.html?utm\\_campaign=pin\\_button&utm\\_medium=Social&utm\\_source=Pinterest](https://www.overstock.com/Home-Garden/Nova-Domus-Soria-Modern-Walnut-TV-Stand/10359356/product.html?utm_campaign=pin_button&utm_medium=Social&utm_source=Pinterest); Retrieved on Jun. 12, 2019.

Notice of Allowance for U.S. Appl. No. 29/654,936 dated Jun. 19, 2019.

Notice of Allowance for U.S. Appl. No. 29/656,479 dated Jun. 27, 2019.

Restriction Requirement for U.S. Appl. No. 29/654,950 dated Sep. 25, 2019.

Office Action for U.S. Appl. No. 29/656,489 dated Sep. 25, 2019.

Office Action for U.S. Appl. No. 29/656,497 dated Sep. 25, 2019.

Office Action for U.S. Appl. No. 29/656,499, dated Sep. 26, 2019.

Notice of Allowance for U.S. Appl. No. 29/656,486 dated Sep. 27, 2019.

Notice of Allowance for U.S. Appl. No. 29/656,485 dated Oct. 2, 2019.

Notice of Allowance for U.S. Appl. No. 29/656,479 dated Oct. 21, 2019.

Office Action for U.S. Appl. No. 29/654,952 dated Nov. 15, 2019.

Notice of Allowance for U.S. Appl. No. 29/656,492 dated Nov. 18, 2019.

42 in. Metal and Wood Desk with Glass and Shelf Grey Wash by Walker Edison Furniture Company—Home Depot <https://www.homedepot.com/p/Walker-Edison-Furniture-Company-42-in-Metal-and-Wood-Desk-with-Glass-and-Shelf-Grey-Wash-HDM42JERGW/305309102> retrieved from the internet on Sep. 9, 2019.

Dark Walnut Wood and Glass Coffee Table by Walker Edison Furniture Company—Home Depot <https://www.homedepot.com/p/Walker-Edison-Furniture-Company-Dark-Walnut-Wood-and-Glass-Coffee-Table-HDF42JMGLDW/305308482> retrieved from the internet on Nov. 6, 2019.

“Baum TV Stand for TVs up to 58 inches” Wayfair. (Accessed Nov. 14, 2019).

“Dark Walnut 70" TV Stand” Pier1. (Accessed Nov. 14, 2019).

“Seren TV Stand for TVs up to 50 inches” Wayfair. (Accessed Nov. 14, 2019).

“Shreffler TV Stand for TVs up to 78 inches” Wayfair. (Accessed Nov. 14, 2019).

Office Action for U.S. Appl. No. 29/634,946 dated Dec. 12, 2019.

Notice of Allowance for U.S. Appl. No. 29/656,485 dated Dec. 18, 2019.

Notice of Allowance for U.S. Appl. No. 29/654,950 dated Dec. 27, 2019.

Electric Fireplaces Direct.com. <https://www.electricfireplacesdirect.com/products-accessories/tv-media-consoles/shelby-electric-fireplace-media-console-in-white-c3p18c9-2030w.html>. “Shelby Electric Fireplace Media Console in White”. Date unknown: Viewed Dec. 2019 (Year: 2019).

Pikove. <https://pikove.com/media/509962357792326443>. “Home Decor”. Feb. 2017 (Year: 2017).

Luno. <https://iamluno.com/product/kc27-record-console-new/>. “KC27 Hifi Record Console”. Date unknown: Viewed Dec. 2019 (Year: 2019).

Notice of Allowance for U.S. Appl. No. 29/656,499 dated Jan. 23, 2020.

Notice of Allowance for U.S. Appl. No. 29/656,497 dated Jan. 23, 2020.

Notice of Allowance for U.S. Appl. No. 29/656,489 dated Jan. 24, 2020.

Walker Edison Buffet 52' Console Table; <https://www.walkerredison.com/buffet-52-console-table.html>; Retrieved on Jul. 19, 2018.

Notice of Allowance for U.S. Appl. No. 29/654,952 dated Feb. 12, 2020.

Restriction Requirement for U.S. Appl. No. 29/714,849 dated Feb. 25, 2020.

Notice of Allowance for U.S. Appl. No. 29/714,849 dated Apr. 6, 2020.

Notice of Allowance for U.S. Appl. No. 29/634,946 dated Apr. 8, 2020.

Notice of Allowance for U.S. Appl. No. 29/654,952 dated Apr. 21, 2020.

Pinterest; Cabinet Furniture; wood veneer sideboard with doors—Edge Collection by Miniforms; <https://www.pinterest.com/pin/312366924137895643>; Retrieved on Aug. 9, 2018.

Edge Buffet and Cabinet; Miniforms.com; [https://www.miniforms.com/en/products/4\\_buffet-and-cabinet/105\\_edge/#f](https://www.miniforms.com/en/products/4_buffet-and-cabinet/105_edge/#f); Retrieved on Aug. 9, 2018.

Pinterest; Media Furniture Search; <https://www.pinterest.com/pin/33636328451628908/>; Retrieved on Apr. 16, 2018.

Pinterest; Furniture Search; <https://www.pinterest.com/pin/33636328453466237/>; Retrieved on Apr. 11, 2018.

Office Action for U.S. Appl. No. 29/677,738 dated Jun. 26, 2020.

Office Action for U.S. Appl. No. 29/677,723 dated Jun. 26, 2020.

“Walker Edison—W6ONOR2D Assembly Instructions.” Found online Jun. 19, 2020 at [www.walkerredison.com](http://www.walkerredison.com). Page dated Apr. 23, 2018. Retrieved from URL: <https://www.walkerredison.com/uploads/5/8/2/2/58227457/ai-w6Onor2d-%C2%AE%version%042318-e.pdf> (Year: 2018).

“The Urban Port Mid Century Modern Acacia Wood TV Unit.” Found online Jun. 19, 2020 at [www.amazon.com](http://www.amazon.com). Product reviewed Jun. 28, 2018. Retrieved from URL: [https://www.amazon.com/dp/B07P6OPSYJ/ref=sbl\\_dpx\\_B07LG44BN6\\_0?th=1](https://www.amazon.com/dp/B07P6OPSYJ/ref=sbl_dpx_B07LG44BN6_0?th=1) (Year: 2018).

“Simpli Home Draper Solid Wood Universal Low TV Media Stand.” Found online Jun. 19, 2020 at [www.amazon.com](http://www.amazon.com). Product reviewed Sep. 26, 2016. Retrieved from URL: [https://www.amazon.com/dp/B01AACK5FM/ref=sbl\\_dpx\\_B082WLRMSMS\\_0?th=1](https://www.amazon.com/dp/B01AACK5FM/ref=sbl_dpx_B082WLRMSMS_0?th=1) (Year: 2016).

“Iwell Mid-Century Modern TV Stand.” Found online Jun. 20, 2020 at [www.amazon.com](http://www.amazon.com). Product first available May 7, 2020. Retrieved from URL: <https://tinyurl.com/y9okn5lq> (Year: 2020).

“Tangkula Wooden TV Stand.” Found online Jun. 20, 2020 at [www.amazon.com](http://www.amazon.com). Product first available Jan. 13, 2020. Retrieved from URL: <https://tinyurl.com/y9h9hwwc> (Year: 2020).

“Langley Street Silvia 54-inch TV Stand.” Found online Jun. 20, 2020 at [www.amazon.com](http://www.amazon.com). Product first available Aug. 30, 2015. Retrieved from URL: [https://www.amazon.com/dp/B07BMM7PZ6/ref=sbl\\_dpxB01255EZVW\\_0](https://www.amazon.com/dp/B07BMM7PZ6/ref=sbl_dpxB01255EZVW_0) (Year: 2015).

“Walker Edison—W70JACSD Assembly Instructions.” Found online Jun. 19, 2020 at [www.walkerredison.com](http://www.walkerredison.com). Page dated Jul. 9, 2018. Retrieved from URL: <https://www.walkerredison.com/uploads/5/8/2/2/58227457/ai-w70jacsd-%C2%AE%version%071118-n.pdf> (Year: 2018).

“South Shore Exhibit TV Stand.” Found online Jun. 19, 2020 at [www.amazon.com](http://www.amazon.com). Product reviewed Jan. 12, 2017. Retrieved from URL: [https://www.amazon.com/dp/B01D9MW9FE/ref=sbl\\_dpxB01AACK5FM\\_0?th=1](https://www.amazon.com/dp/B01D9MW9FE/ref=sbl_dpxB01AACK5FM_0?th=1) (Year: 2017).

“Sauder Coral Cape Contemporary Wood 70-inch TV Stand.” Found online Jun. 19, 2020 at [www.amazon.com](http://www.amazon.com). Product first available Jan. 28, 2020. Retrieved from URL: [https://www.amazon.com/dp/B085VKFXJF/ref=sbl\\_dpx\\_B07LG44BN6\\_0](https://www.amazon.com/dp/B085VKFXJF/ref=sbl_dpx_B07LG44BN6_0) (Year: 2020). “CCT Global Sourcing Inc. Pearson Solid Hardwood 60-inch TV Stand.” Found online Jun. 19, 2020 at [www.amazon.com](http://www.amazon.com). Product first available Jan. 20, 2020. Retrieved from URL: [https://www.amazon.com/dp/B0842JT1Z6/ref=sbl\\_dpx\\_B07LG44BN6\\_0](https://www.amazon.com/dp/B0842JT1Z6/ref=sbl_dpx_B07LG44BN6_0) (Year: 2020).

Notice of Allowance for U.S. Appl. No. 29/677,722 dated Jul. 1, 2020.

“Walker Edison—W58BMHPAS Assembly Instructions.” Found online Jun. 19, 2020 at [www.walkerredison.com](http://www.walkerredison.com). Page dated Apr. 23, 2018. Retrieved from URL: <https://www.walkerredison.com/uploads/5/8/2/2/58227457/ai-w58bnnhpas-%C2%AE%version%042318-e.pdf> (Year: 2018).

(56)

## References Cited

## OTHER PUBLICATIONS

“Mid Century Modern TV Stand.” Found online Jun. 20, 2020 at [www.amazon.com](http://www.amazon.com). Product first available Jun. 16, 2020. Retrieved from URL: <https://tinyurl.com/y7qolcv7> (Year: 2020).

“Pemberly Row Modern Mid Century Entertainment TV Stand.” Found online Jun. 20, 2020 at [www.amazon.com](http://www.amazon.com). Product first available May 25, 2018. Retrieved from URL: <https://tinyurl.com/y9affau7> (Year: 2018).

Notice of Allowance for U.S. Appl. No. 29/677,724 dated Jul. 7, 2020.

“Walker Edison—W60S014D Assembly Instructions.” Found online Jun. 19, 2020 at [www.walkerredison.com](http://www.walkerredison.com). Page dated May 8, 2018. Retrieved from URL: <https://www.walkerredison.com/uploads/5/8/2/2/58227457/ai-w60soi4d-%C2%AE%20version%20050818.n.pdf> (Year: 2018).

“Sauder Boulevard Cafe Credenza.” Found online Jun. 19, 2020 at [www.amazon.com](http://www.amazon.com). Product first available Aug. 23, 2018. Retrieved from URL: <https://www.amazon.com/Sauder-420649-Boulevard-Credenza-Vintage/dp/B07G62YLVT> (Year: 2018).

“Martin Furniture Eclectic Harmon Four Door Console.” Found online Jun. 19, 2020 at [www.amazon.com](http://www.amazon.com). Product first available Oct. 30, 2017. Retrieved from URL: [https://www.amazon.com/dp/B076VVVYRPR/ref=sbl\\_dpx\\_B07G62YLVT\\_0](https://www.amazon.com/dp/B076VVVYRPR/ref=sbl_dpx_B07G62YLVT_0) (Year: 2017).

“Industrial Iron Mesh Sideboard Media Cabinet.” Found online Jun. 19, 2020 at [www.amazon.com](http://www.amazon.com). Product first available Jul. 20, 2015. Retrieved from URL: [https://www.amazon.com/dp/B01255EZVW/ref=sbl\\_dpx\\_B07G62YLVT\\_0](https://www.amazon.com/dp/B01255EZVW/ref=sbl_dpx_B07G62YLVT_0) (Year: 2015).

Safavieh Furniture; <http://web.archive.org/web/20130301232929/http://safavieh.com/furniture/categories/bookcases?pg=all>; Retrieved online on Aug. 5, 2020.

Safavieh Furniture; <http://web.archive.org/web/20140713025018/http://safavieh.com/furniture/american-home/bookcases/amh6525a>; Retrieved online on Aug. 5, 2020.

Amarah Mid Century Modern Wood TV Stand by Christopher Knight Home; <https://web.archive.org/web/20181102021725/https://www.overstock.ca/Home-Garden/Amarah-Mid-century-Modern-Wood-TV-Stand-by-Christopher-Knight-Home/18108793/product.html>; Retrieved online on Aug. 5, 2020.

Gemini Wood Contemporary TV Stand; <https://web.archive.org/web/20160423180238/https://www.target.com/p/gemini-wood-contemporary-tv-stand-walnut-white-66-baxton-studio/-/A-50256043>; Retrieved online on Aug. 5, 2020.

Article Seno walnut media unit; <http://web.archive.org/web/20170610131805/https://www.article.com/product/1635/seno-walnut-63-media-unit>; Retrieved online on Aug. 5, 2020.

Instagram post—Article Seno walnut media unit; <https://www.instagram.com/p/BhcCAZIH8-q/>; Retrieved on Aug. 5, 2020.

Convenience Concepts Designs2Go Oslo TV Stand; <https://www.amazon.ca/Convenience-Concepts-Designs2Go-Stand-White/dp/B011RACHQ6/?th=1>; Retrieved online on Aug. 5, 2020.

Houzz\_Rowan\_Mid-Century Modern Two-Toned TV Stand; <https://www.houzz.com/products/rowan-mid-century-modern-two-toned-tv-stand-white-oak-prvw-vr~74489612>; Retrieved online on Aug. 21, 2020.

Focus on Furniture, Lowline TV Units; <https://web.archive.org/web/20170218071314/https://www.focusonfurniture.com.au/living-room/lowline-tv-units/>; Retrieved on Aug. 21, 2020.

Office Action for U.S. Appl. No. 29/654,930, dated Aug. 21, 2020. Calie TV Stand for TVs up to 48 inches with Electric Fireplace Included; Wayfair.com; <https://www.wayfair.com/furniture/pdp/real-flame-calie-tv-stand-for-tvs-up-to-48-inches-with-electric-fireplace-included-jfp1647.html>; Retrieved on Jan. 10, 2018.

Restriction Requirement for U.S. Appl. No. 29/698,919, dated Aug. 27, 2020.

Office Action for U.S. Appl. No. 29/677,755, dated Aug. 27, 2020. Foundry Arsenault End Table, [www.wayfair.com](http://www.wayfair.com) [online]. Published on or before Aug. 15, 2020, [retrieved on Aug. 15, 2020],

Retrieved from the Internet: <URL:<https://www.wayfair.ca/furniture/pdp/foundry-select-arsenault-4-legs-end-table-c003160002.html?piid=1664365403>> (Year: 2020).

Office Action for U.S. Appl. No. 29/698,928, dated Aug. 28, 2020. Notice of Allowance for U.S. Appl. No. 29/698,940, dated Aug. 28, 2020.

Rustic Farmhouse Corner TV Stand With Barn Doors, Little Rustic Shop, site visited Aug. 24, 2020, available online at <https://littlerusticshop.com/collections/frontpage/products/rustic-farmhouse-corner-tv-stand-with-barn-doors> (Year: 2020).

Office Action for U.S. Appl. No. 29/698,947, dated Aug. 31, 2020. White Eliza TV Stand With Fireplace Insert, Owens Home Furnishings, site visited Aug. 25, 2020, available online at <https://www.owensfurniture.com/eliza-white-barn-door-tv-stand-70/> (Year: 2020).

Office Action for U.S. Appl. No. 29/698,942, dated Aug. 31, 2020.

Office Action for U.S. Appl. No. 29/677,761, dated Sep. 1, 2020.

Foundry Select Arsenault Coffee Table, [www.wayfair.ca](http://www.wayfair.ca) [online]. Published on or before Aug. 11, 2020, [retrieved on Aug. 11, 2020], Retrieved from the Internet: <URL:<https://www.wayfair.ca/furniture/pdp/foundry-select-arsenault-coffee-table-c003159996.html>> (Year: 2020).

Notice of Allowance for U.S. Appl. No. 29/699,063, dated Sep. 2, 2020.

Notice of Allowance for U.S. Appl. No. 29/699,071, dated Sep. 4, 2020.

Notice of Allowance for U.S. Appl. No. 29/699,066, dated Sep. 11, 2020.

Notice of Allowance for U.S. Appl. No. 29/677,723, dated Sep. 15, 2020.

Notice of Allowance for U.S. Appl. No. 29/677,738, dated Sep. 15, 2020.

Notice of Allowance for U.S. Appl. No. 29/698,942, dated Sep. 15, 2020.

U.S. Appl. No. 29/756,291, filed Oct. 27, 2020, Davis.

U.S. Appl. No. 29/756,302, filed Oct. 27, 2020, Davis.

U.S. Appl. No. 29/756,303, filed Oct. 27, 2020, Davis.

U.S. Appl. No. 29/756,305, filed Oct. 27, 2020, Davis.

U.S. Appl. No. 29/756,763, filed Oct. 30, 2020, Davis.

Notice of Allowance for U.S. Appl. No. 29/677,755, dated Oct. 27, 2020.

Notice of Allowance for U.S. Appl. No. 29/720,923, dated Oct. 28, 2020.

Lorraine TV Stand for TVs up to 60" Retrieved online Nov. 3, 2020; from URL: <https://www.wayfair.com/furniture/pdp/three-posts-lorraine-tv-stand-for-tvs-up-to-60-w001527559.html>.

Notice of Allowance for U.S. Appl. No. 29/699,073, dated Sep. 16, 2020.

Corrected Notice of Allowance for U.S. Appl. No. 29/698,942, dated Sep. 23, 2020.

Notice of Allowance for U.S. Appl. No. 29/677,723, dated Sep. 29, 2020.

Notice of Allowance for U.S. Appl. No. 29/677,738, dated Sep. 29, 2020.

Notice of Allowance for U.S. Appl. No. 29/720,732; dated Sep. 29, 2020.

Notice of Allowance for U.S. Appl. No. 29/721,435, dated Sep. 29, 2020.

Notice of Allowance for U.S. Appl. No. 29/677,724, dated Sep. 30, 2020.

Notice of Allowance for U.S. Appl. No. 29/699,071, dated Sep. 30, 2020.

Notice of Allowance for U.S. Appl. No. 29/720,923, dated Sep. 30, 2020.

Office Action for U.S. Appl. No. 29/699,078, dated Oct. 6, 2020.

“WE Furniture AZ40SWICTWMDC Coffee Table.” Found online Sep. 30, 2020 at [www.amazon.com](http://www.amazon.com). Product first available Jan. 23, 2019 Retrieved from URL: [https://www.amazon.com/-/es/Furniture-AZ40SWICTWMDC-centro-Madera-Vidrio/dp/B07N282396/ref=psdc\\_3733631\\_J2\\_B07CYML1LF](https://www.amazon.com/-/es/Furniture-AZ40SWICTWMDC-centro-Madera-Vidrio/dp/B07N282396/ref=psdc_3733631_J2_B07CYML1LF) (Year: 2019).

“Vasagle Glatal Glass Coffee Table.” Found online Sep. 30, 2020 at [www.amazon.com](http://www.amazon.com). Product first available May 1, 2020. Retrieved from URL: <https://tinyurl.com/yxvuv2rf> (Year: 2020).

(56)

**References Cited**

## OTHER PUBLICATIONS

“Henn and Hart Coffe Table.” Found online Sep. 30, 2020 atwww.amazon.com. Product first available Jan. 20, 2019. Retrieved from URL: [https://www.amazon.com/-/es/Henn-Hart-talla-%C3%BAnica-color/dp/B07N8RRPT5/ref=psdc\\_3733631\\_t5\\_B07CYML1Lf](https://www.amazon.com/-/es/Henn-Hart-talla-%C3%BAnica-color/dp/B07N8RRPT5/ref=psdc_3733631_t5_B07CYML1Lf)(Year: 2019).

Notice of Allowance for U.S. Appl. No. 29/698,942, dated Nov. 3, 2020.

Notice of Allowance for U.S. Appl. No. 29/699,073, dated Nov. 3, 2020.

Notice of Allowance for U.S. Appl. No. 29/721,435, dated Nov. 3, 2020.

“Alera Angled Doors Oak Wood Black Sideboard” <https://www.decorpad.com/bookmark.htm?bookmarkId=69182> (Retrieved Nov. 12, 2020).

“Linus Base Cabinet w/Double Angled Doors by Haba, 460499” <https://gresscoltd.com/linus-base-cabinet-w-double-angled-doors-by-haba-460499.html> (Retrieved Nov. 12, 2020).

“Solid Acacia Wood Canyon Ridge Three Drawer Media TV Console ith Metal Base” <https://www.hootjudkins.com/solid-acacia-wood-canyon-ridge-three-drawer-media-tv-console-with-metal-base> (Retrieved Nov. 12, 2020).

Office Action for U.S. Appl. No. 29/756,291, dated Nov. 23, 2020. Barn Door Console, @sarahashleyallen on Instagram, Dec. 26, 2016, site visited Nov. 18, 2020, available online at <https://www.instagram.com/p/BOfH8jqgzjK/?taken-by=sarahashleyallen> (Year: 2016).

DIY Barn Door Hardware, Ana White, Oct. 17, 2018, site visited Nov. 18, 2020, available online at <https://www.ana-white.com/woodworking-projects/diy-barn-door-hardware-washers> (Year: 2018).

Office Action for U.S. Appl. No. 29/698,919, dated Nov. 24, 2020.

DIY Sliding Barn Door Console, Jaime Costiglio, Jan. 1, 2019, site visited Nov. 18, 2020, available online at <https://jaimecostiglio.com/diy-sliding-barn-door-console-free-plans/> (Year: 2019).

Notice of Allowance for U.S. Appl. No. 29/654,930, dated Dec. 10, 2020.

Notice of Allowance for U.S. Appl. No. 29/698,947, dated Dec. 10, 2020.

Notice of Allowance for U.S. Appl. No. 29/698,928, dated Dec. 11, 2020.

\* cited by examiner



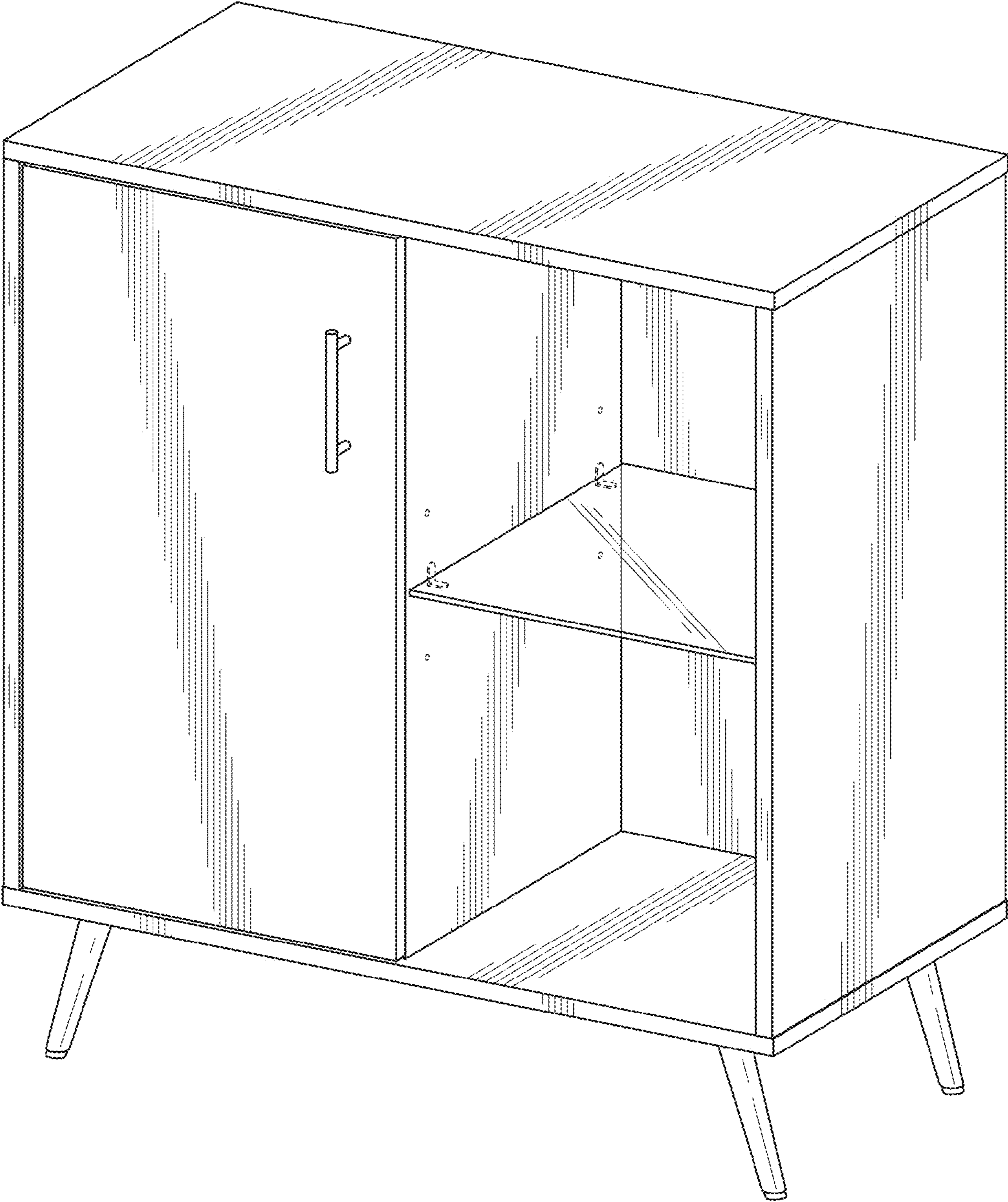


FIG. 1

FIG. 2

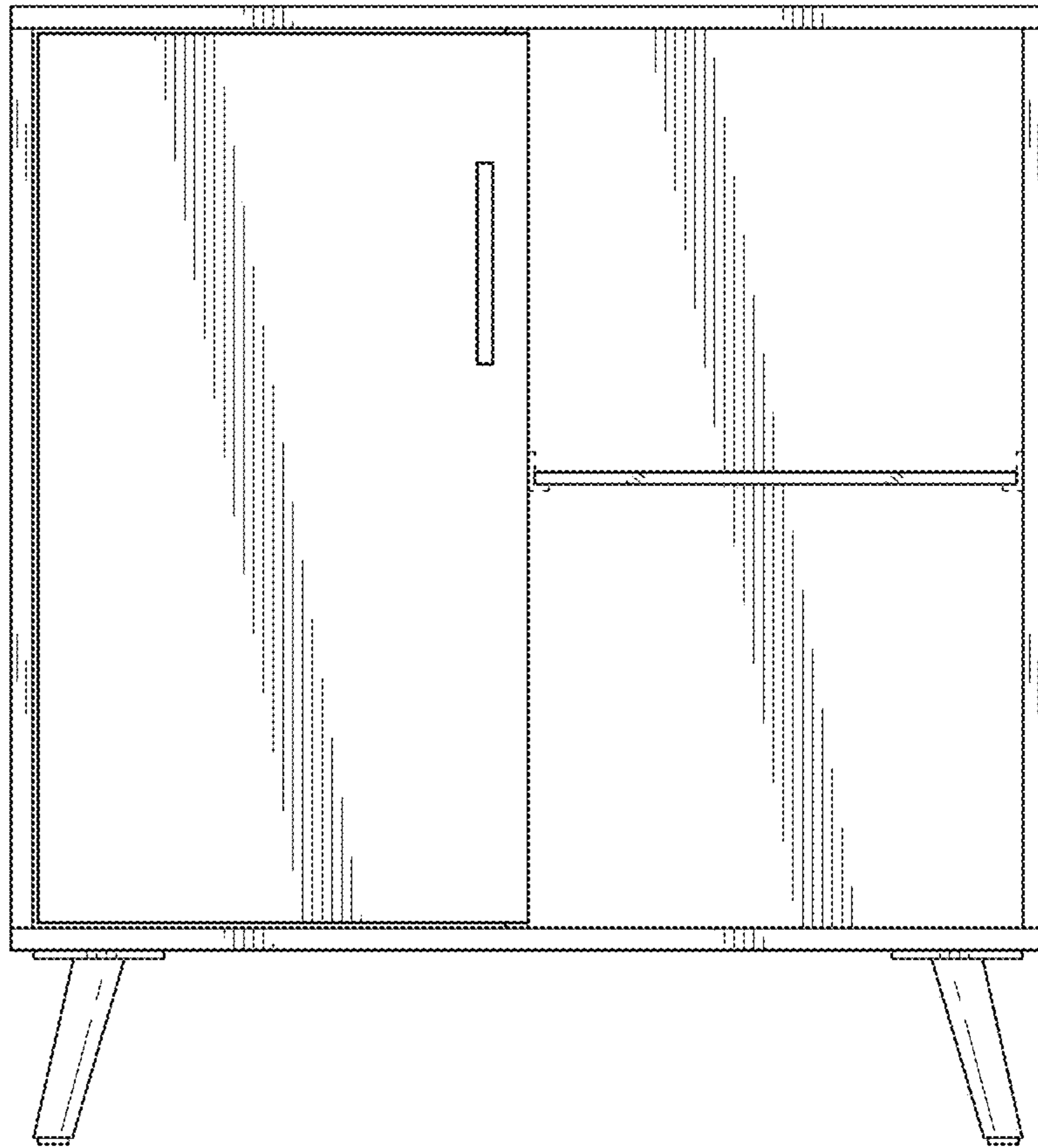
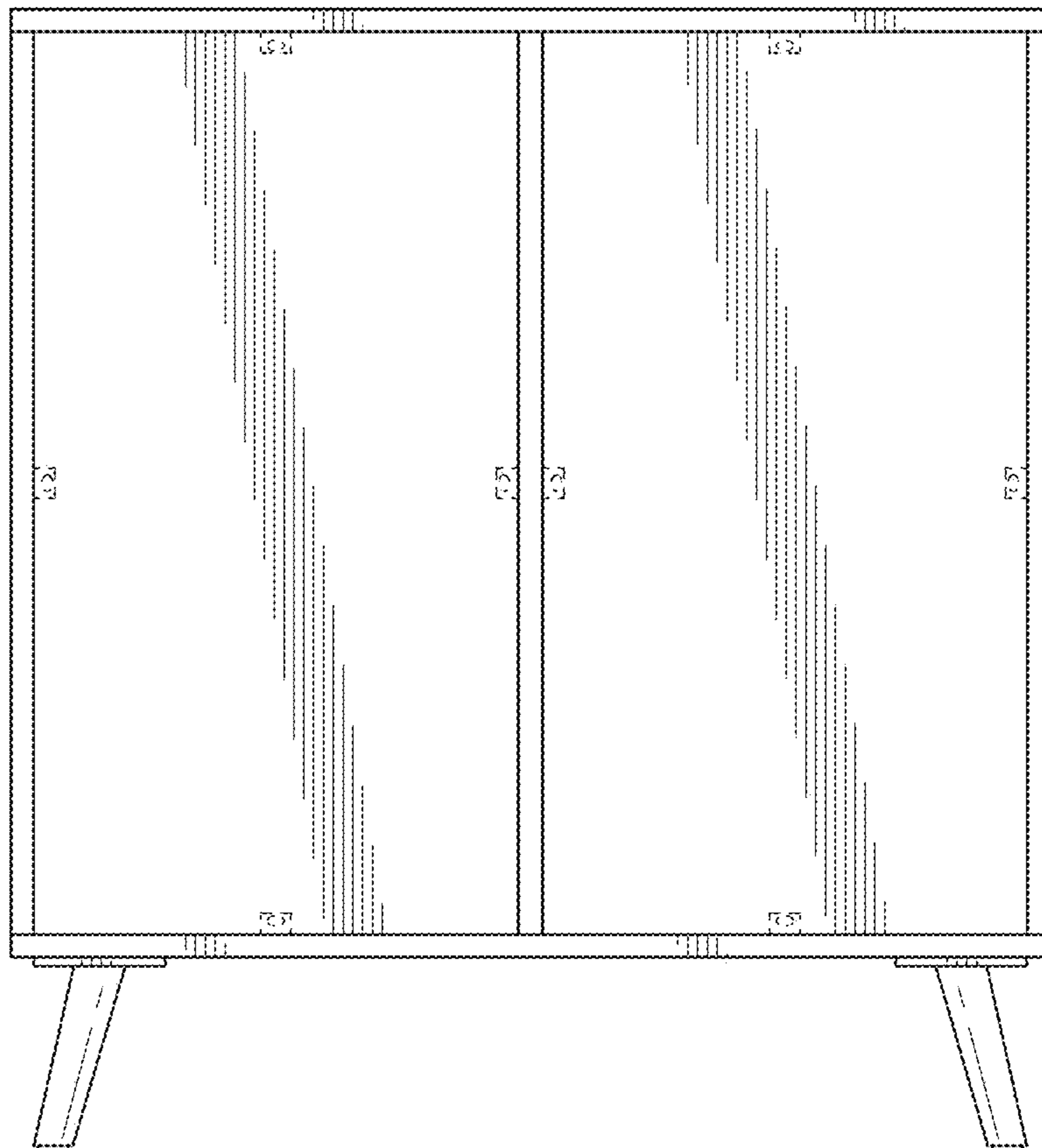


FIG. 3



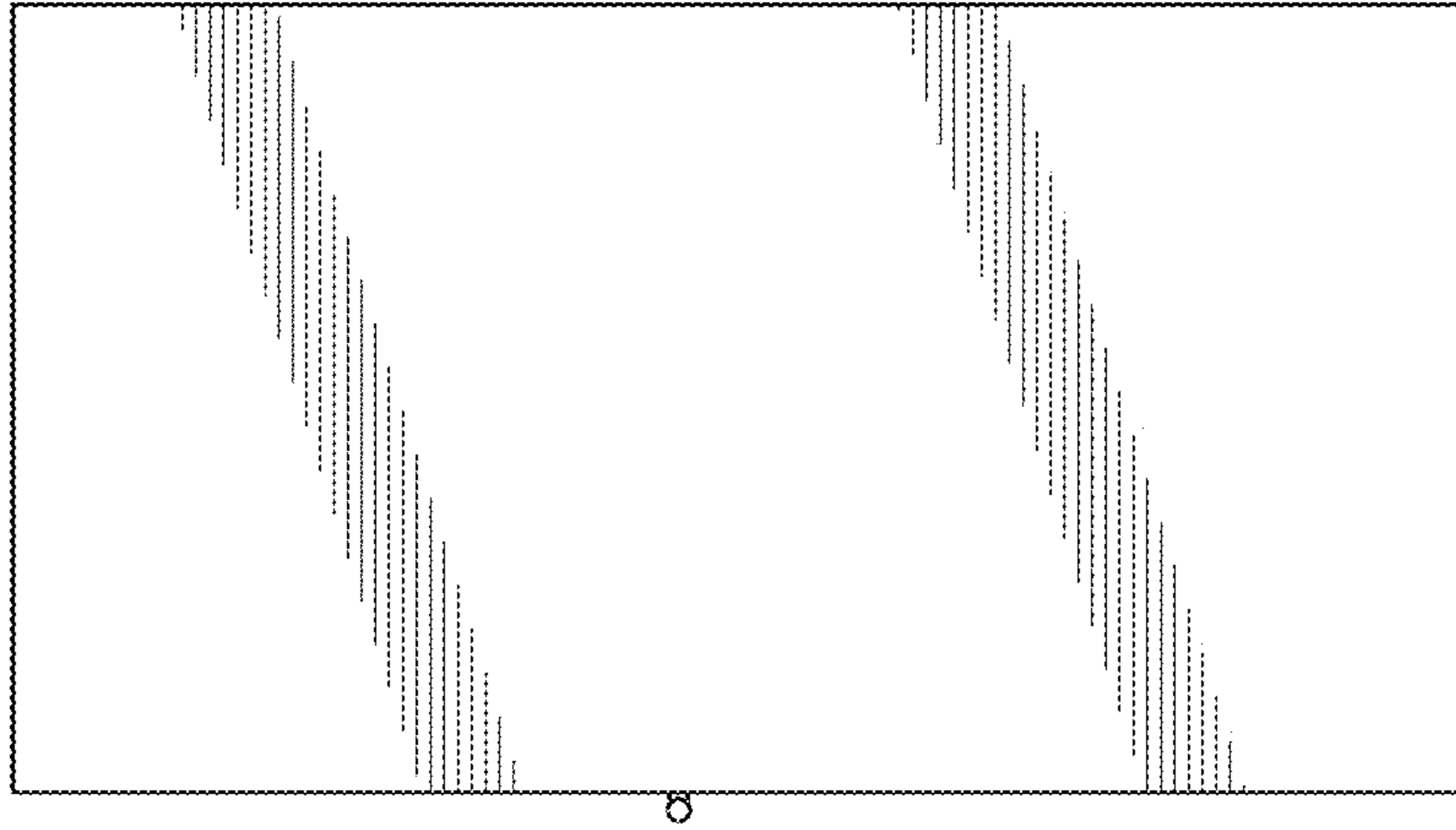


FIG. 4

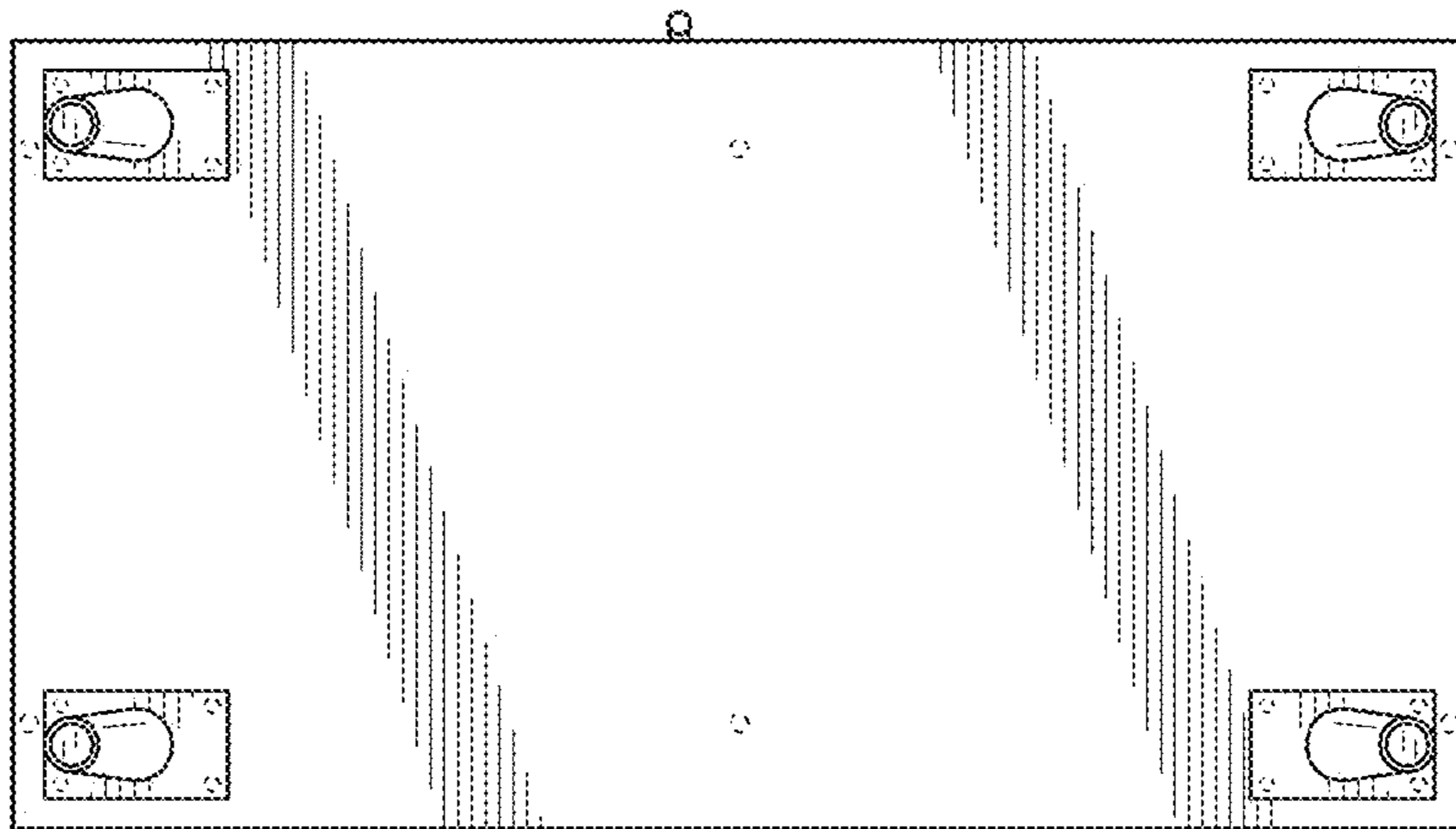


FIG. 5

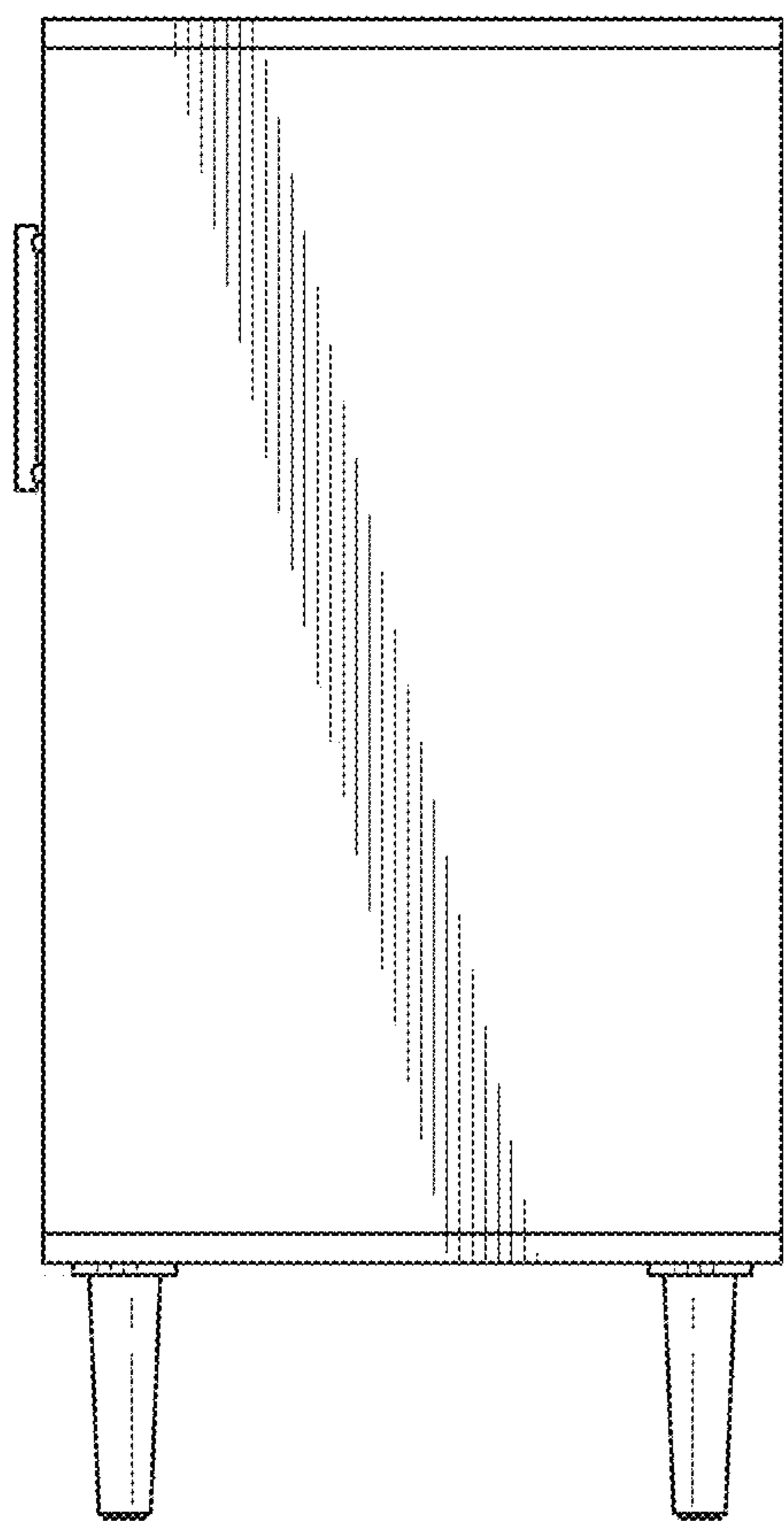


FIG. 6

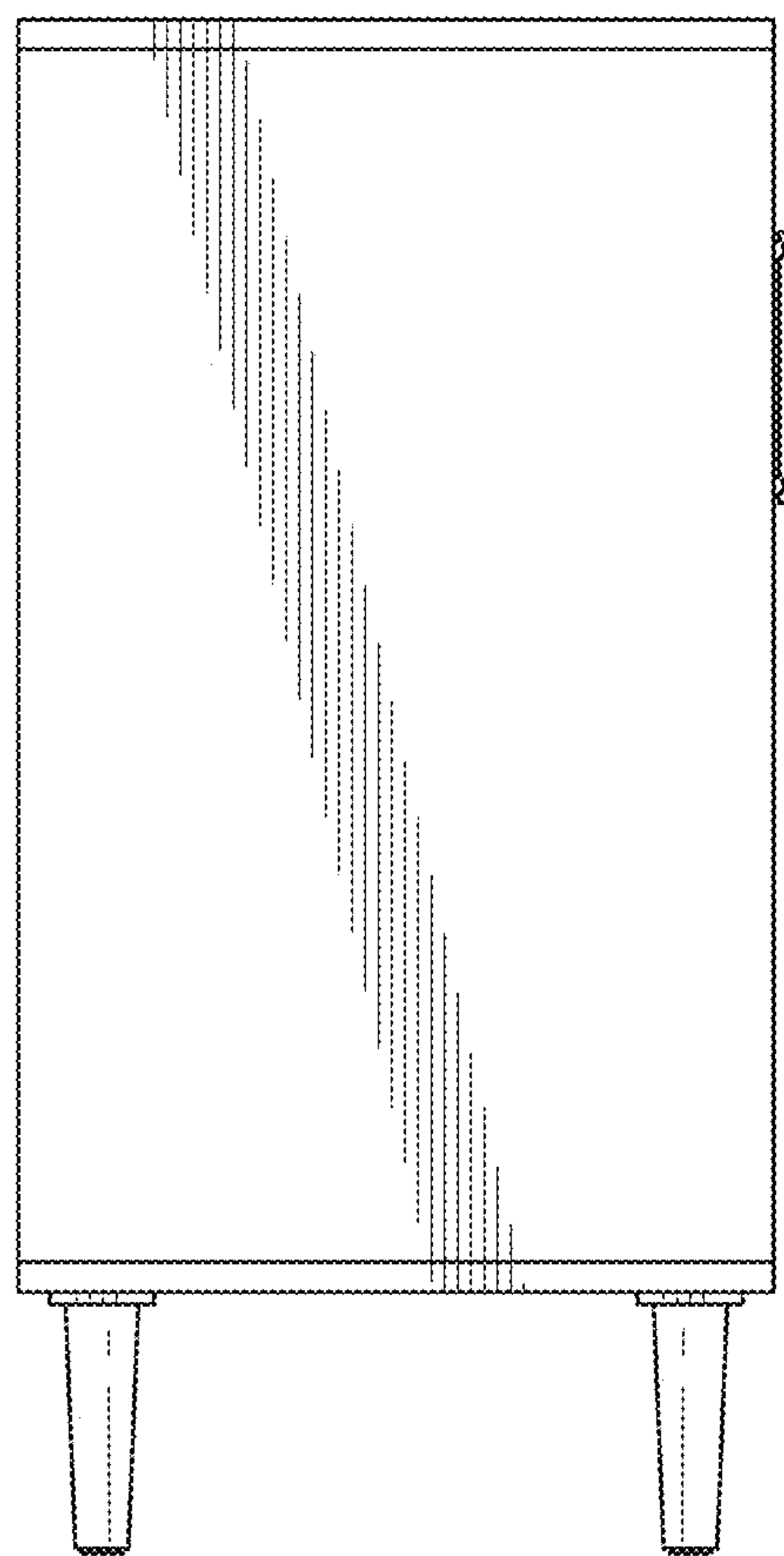


FIG. 7