



US00D914393S

(12) **United States Design Patent**
Xie

(10) **Patent No.:** **US D914,393 S**

(45) **Date of Patent:** **** Mar. 30, 2021**

- (54) **LAPTOP DESK**
- (71) Applicant: **Shenzhen Prime Technology Co., Ltd,**
Shenzhen (CN)
- (72) Inventor: **Menghong Xie,** Shenzhen (CN)
- (**) Term: **15 Years**
- (21) Appl. No.: **29/749,516**
- (22) Filed: **Sep. 6, 2020**
- (51) **LOC (13) Cl.** **06-06**
- (52) **U.S. Cl.**
USPC **D6/406.6**
- (58) **Field of Classification Search**
USPC D6/406.1, 406.3, 406.5, 406.6, 512,
D6/685-686, 691, 704, 705; D7/550.1,
D7/552.2, 554.3, 555; D14/439, 447
CPC A47G 23/06; A47G 23/08; A47G 29/093;
A47B 23/00; A47B 23/002
See application file for complete search history.

D512,245	S	*	12/2005	Bean	D6/406.3
D583,164	S	*	12/2008	Jennings	D6/406.6
D609,027	S	*	2/2010	Jennings	D6/406.5
D619,823	S	*	7/2010	Jennings	D6/406.3
7,828,260	B2	*	11/2010	Hauser	A47B 23/043 248/456
D663,546	S	*	7/2012	Jennings	D6/406.3
D701,089	S	*	3/2014	Lee	D7/554.3
D728,581	S	*	5/2015	Feinberg	D14/447
D786,883	S	*	5/2017	Chen	
D794,974	S	*	8/2017	Jennings	D6/406.3
D836,937	S	*	1/2019	Sullins	D6/406.3
D843,752	S	*	3/2019	Sullins	D6/406.5
D853,147	S	*	7/2019	Chen	D6/406.5
D887,166	S	*	6/2020	Ren	D6/406.5
D906,719	S	*	1/2021	Sullins	D6/406.5
2007/0113757	A1	*	5/2007	Lilly	A47B 23/002 108/25

* cited by examiner

Primary Examiner — Kelley A Donnelly
(74) *Attorney, Agent, or Firm* — W&K IP

(57) **CLAIM**

The ornamental design for a laptop desk, as shown and described.

DESCRIPTION

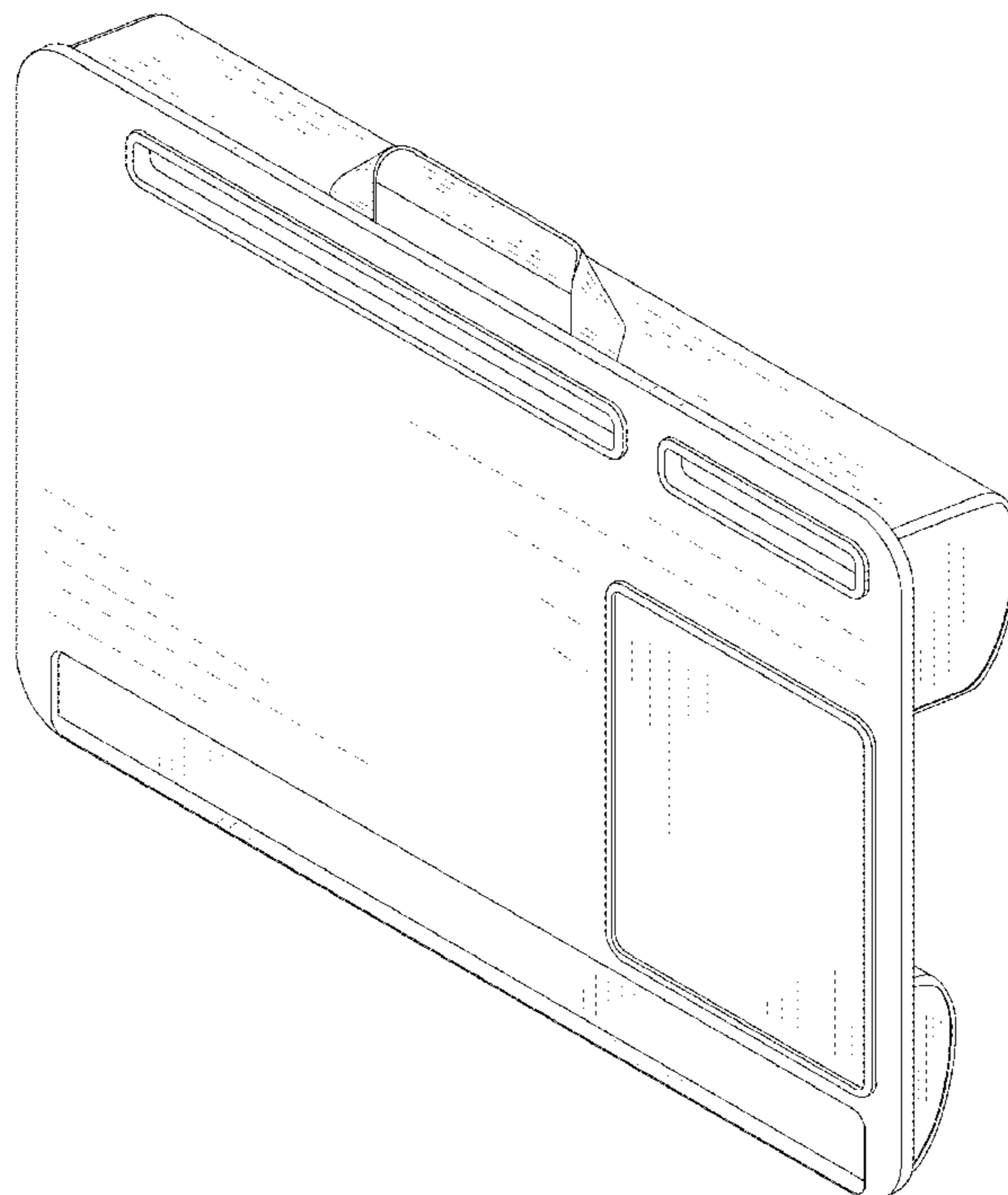
FIG. 1 is a perspective view of a laptop desk showing my new design;
FIG. 2 is a front view thereof;
FIG. 3 is a rear view thereof;
FIG. 4 is a left side view thereof;
FIG. 5 is a right side view thereof;
FIG. 6 is a top plan view thereof; and,
FIG. 7 is a bottom plan view thereof.

1 Claim, 7 Drawing Sheets

(56) **References Cited**

U.S. PATENT DOCUMENTS

2,640,747	A	*	6/1953	Bodenhoff	A47B 23/00 248/444
D293,493	S	*	12/1987	Garr	D6/406.6
5,081,936	A	*	1/1992	Drieling	B60N 3/002 108/25
D356,009	S	*	3/1995	Branch	D6/406.5
5,425,455	A	*	6/1995	Miller	A47G 23/0608 206/562
6,036,158	A	*	3/2000	Raasch	B60N 3/005 108/44
D499,575	S	*	12/2004	Chan	D6/406.3
D510,357	S		10/2005	Lye	



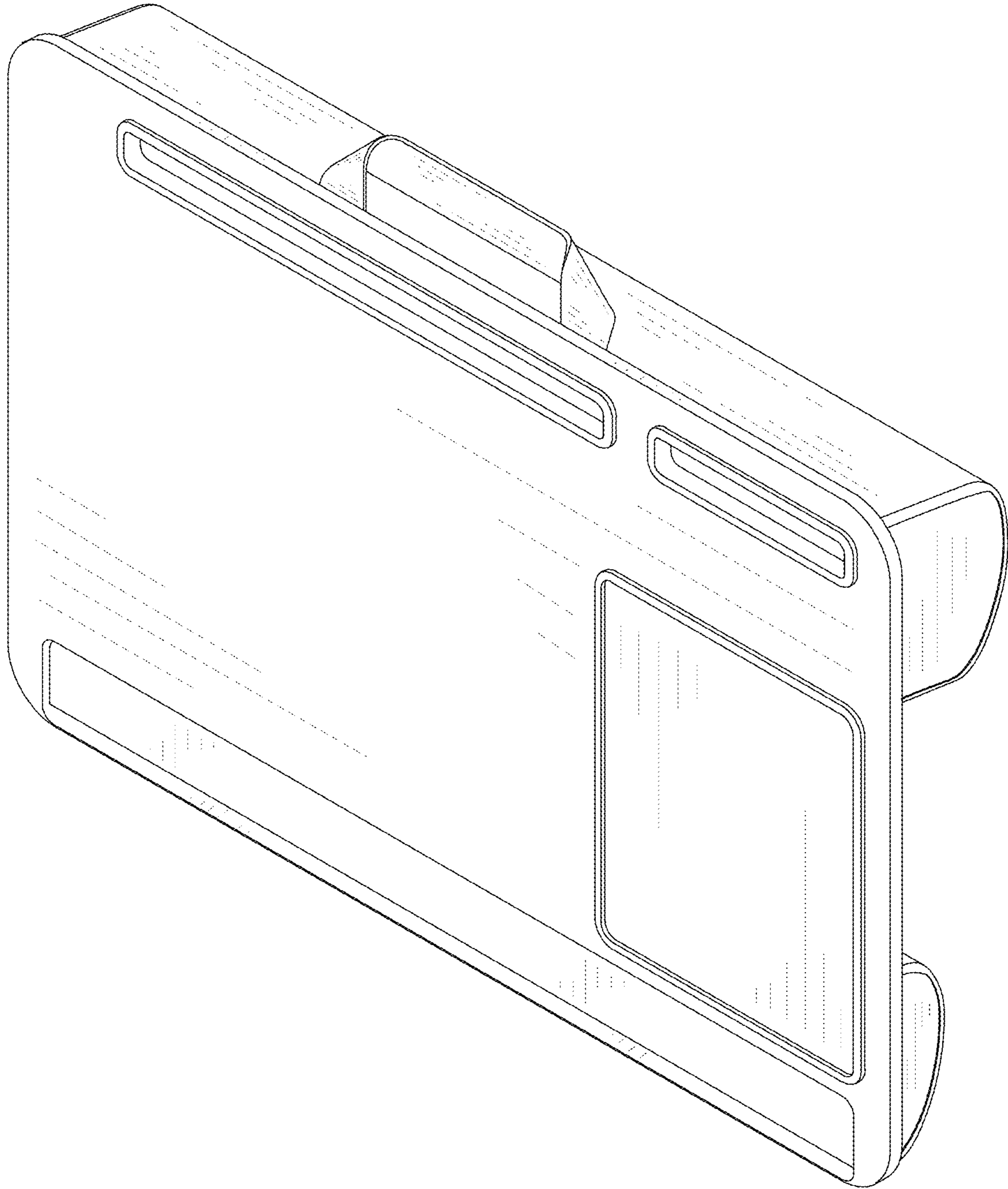


FIG.1

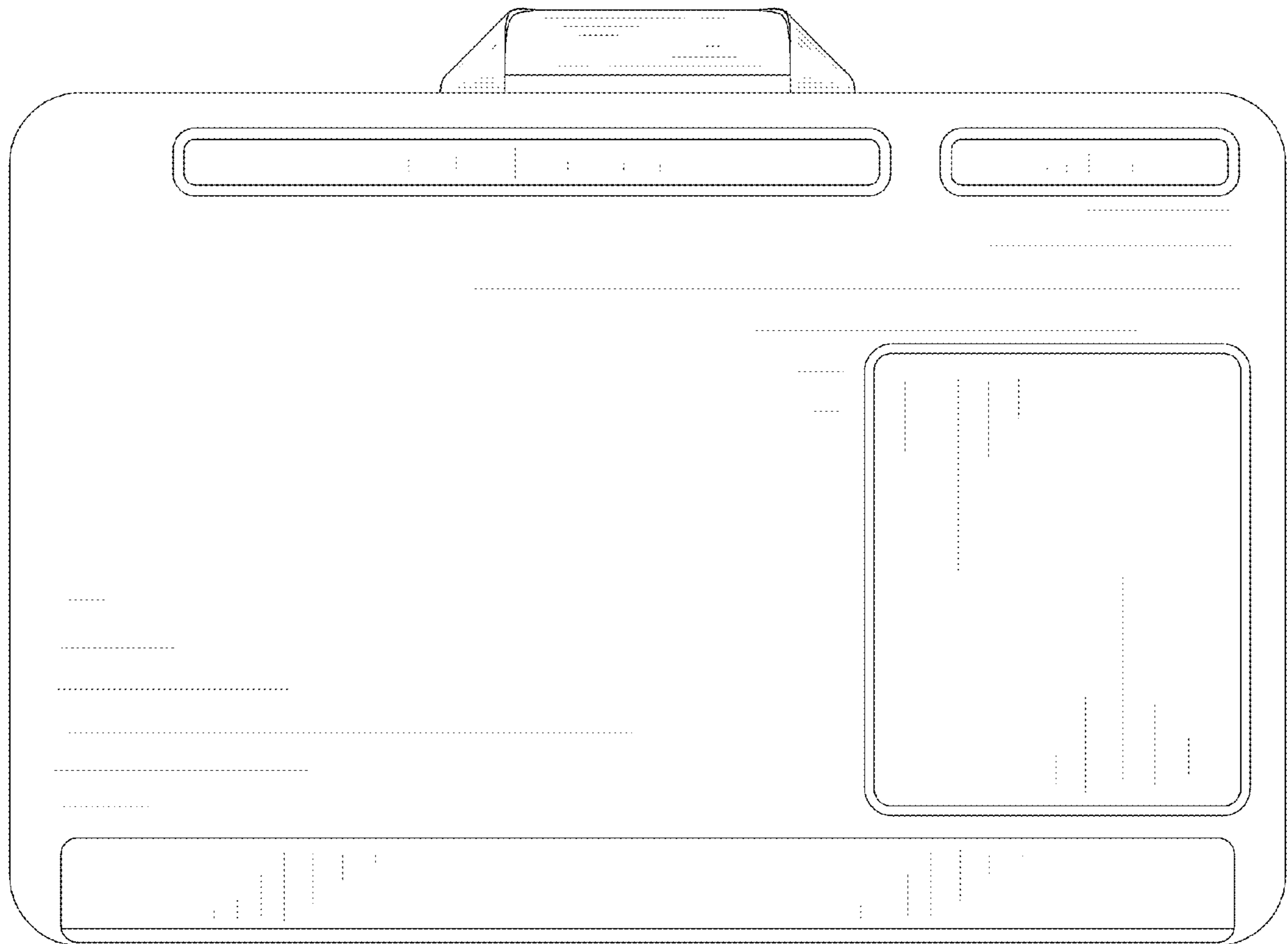


FIG. 2

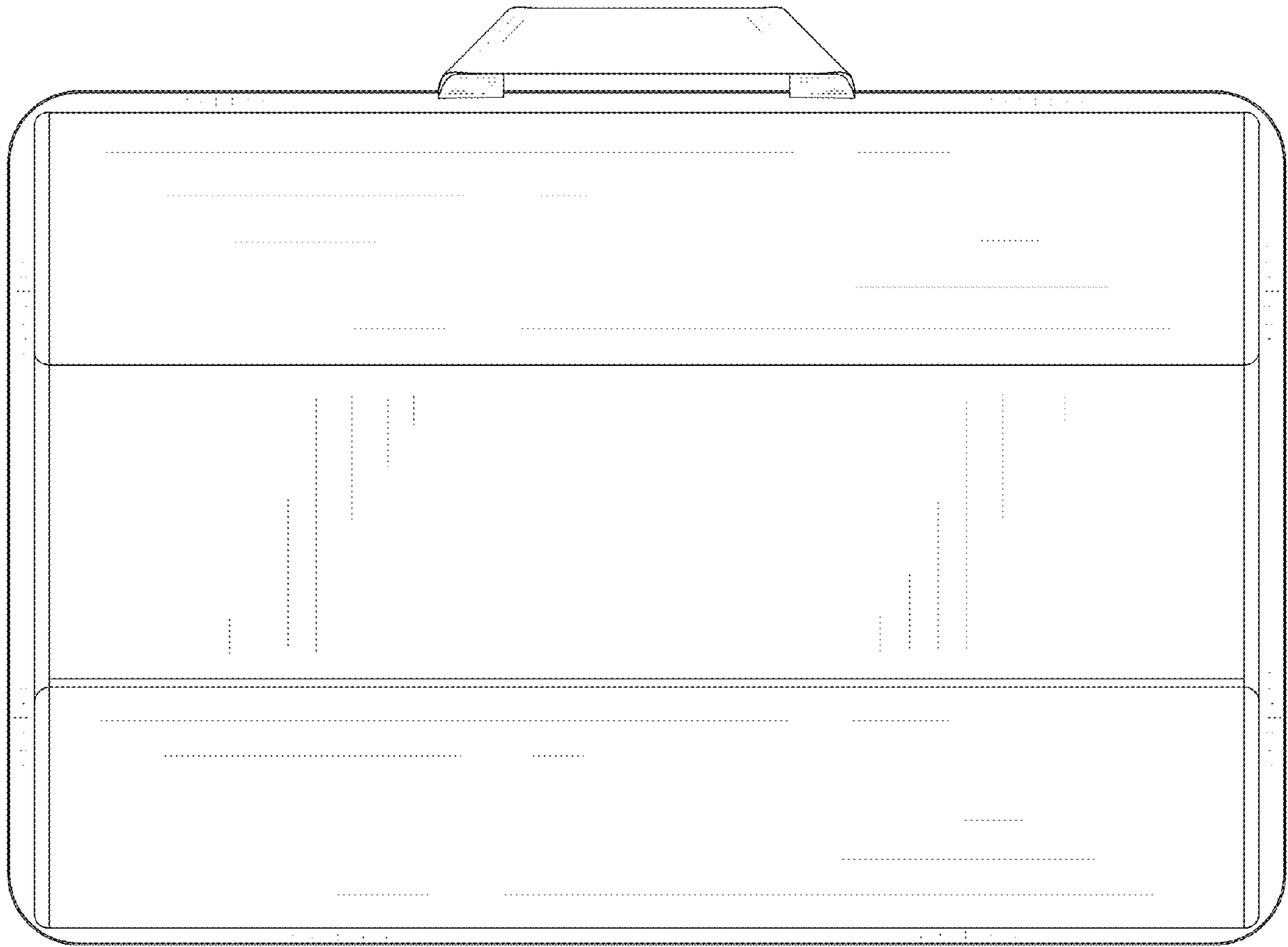


FIG.3

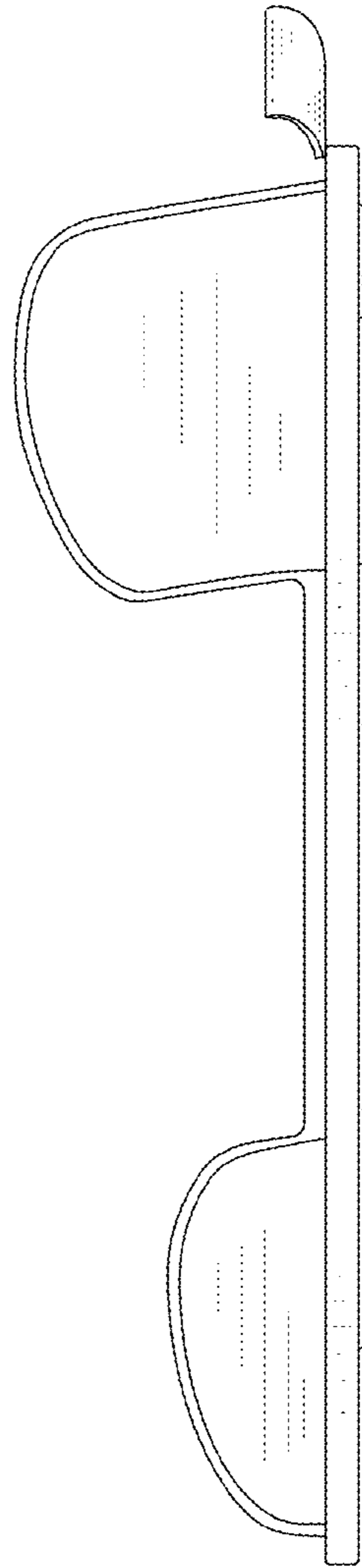


FIG. 4

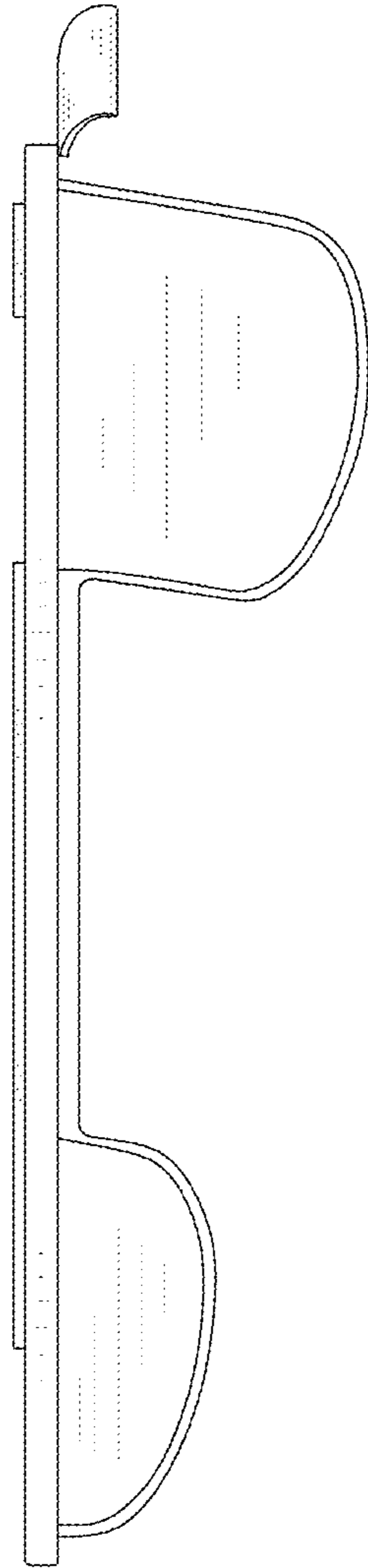


FIG. 5

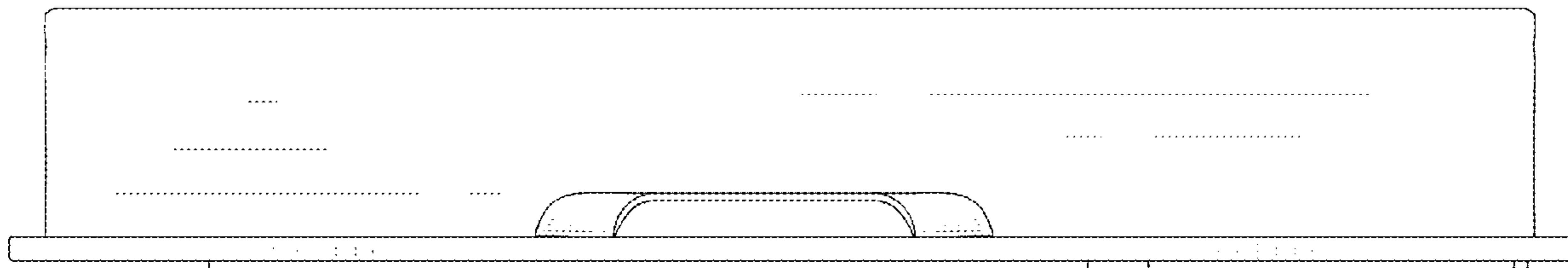


FIG. 6

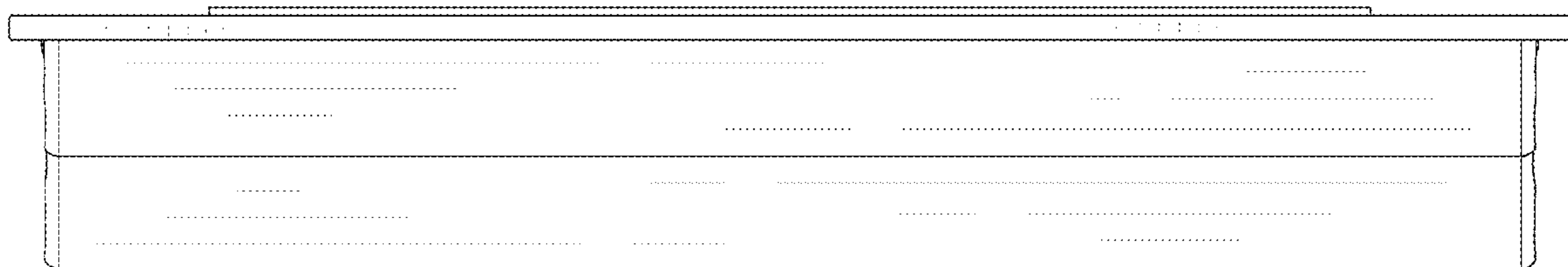


FIG.7