



US00D914391S

(12) **United States Design Patent** (10) **Patent No.:** **US D914,391 S**  
**Banda et al.** (45) **Date of Patent:** **\*\* \*Mar. 30, 2021**

(54) **FURNITURE**

(71) Applicant: **H.M. RICHARDS, INC.**, Baldwyn, MS (US)

(72) Inventors: **Andrea Banda**, Baldwyn, MS (US);  
**Robert Kirchmeyer**, Atlanta, GA (US);  
**Bonnie Kielwasser**, Durham, NC (US)

(73) Assignee: **H.M. RICHARDS, INC.**, Baldwyn, MS (US)

(\*) Notice: This patent is subject to a terminal disclaimer.

(\*\*) Term: **15 Years**

(21) Appl. No.: **29/743,235**

(22) Filed: **Jul. 20, 2020**

**Related U.S. Application Data**

(62) Division of application No. 29/656,900, filed on Jul. 17, 2018.

(51) **LOC (13) Cl.** ..... **06-01**

(52) **U.S. Cl.**  
USPC ..... **D6/381**

(58) **Field of Classification Search**  
USPC ..... D6/335, 349, 352, 361  
CPC ..... A47C 3/16; A47C 15/002  
See application file for complete search history.

(56) **References Cited**

**U.S. PATENT DOCUMENTS**

D106,798 S 11/1937 Kaufman  
D115,429 S 6/1939 Stoll

D339,246 S 9/1993 Hutton  
D363,381 S \* 10/1995 Hutton ..... D6/349  
D369,029 S 4/1996 Lewis  
D376,266 S 12/1996 Lewis  
D376,482 S \* 12/1996 Lewis ..... D6/349  
D403,874 S 1/1999 Gohman  
D431,381 S 10/2000 Gomez  
D439,432 S 3/2001 Hutton  
D473,386 S 4/2003 Draper  
D600,038 S 9/2009 Natuzzi  
D766,006 S 9/2016 Lewis  
D830,716 S 10/2018 Lim

\* cited by examiner

*Primary Examiner* — Mary Ann Calabrese

*Assistant Examiner* — Katelin G Kloberg

(74) *Attorney, Agent, or Firm* — John W. Smith T; Jake M. Gipson; Bradley Arant Boult Cummings LLP

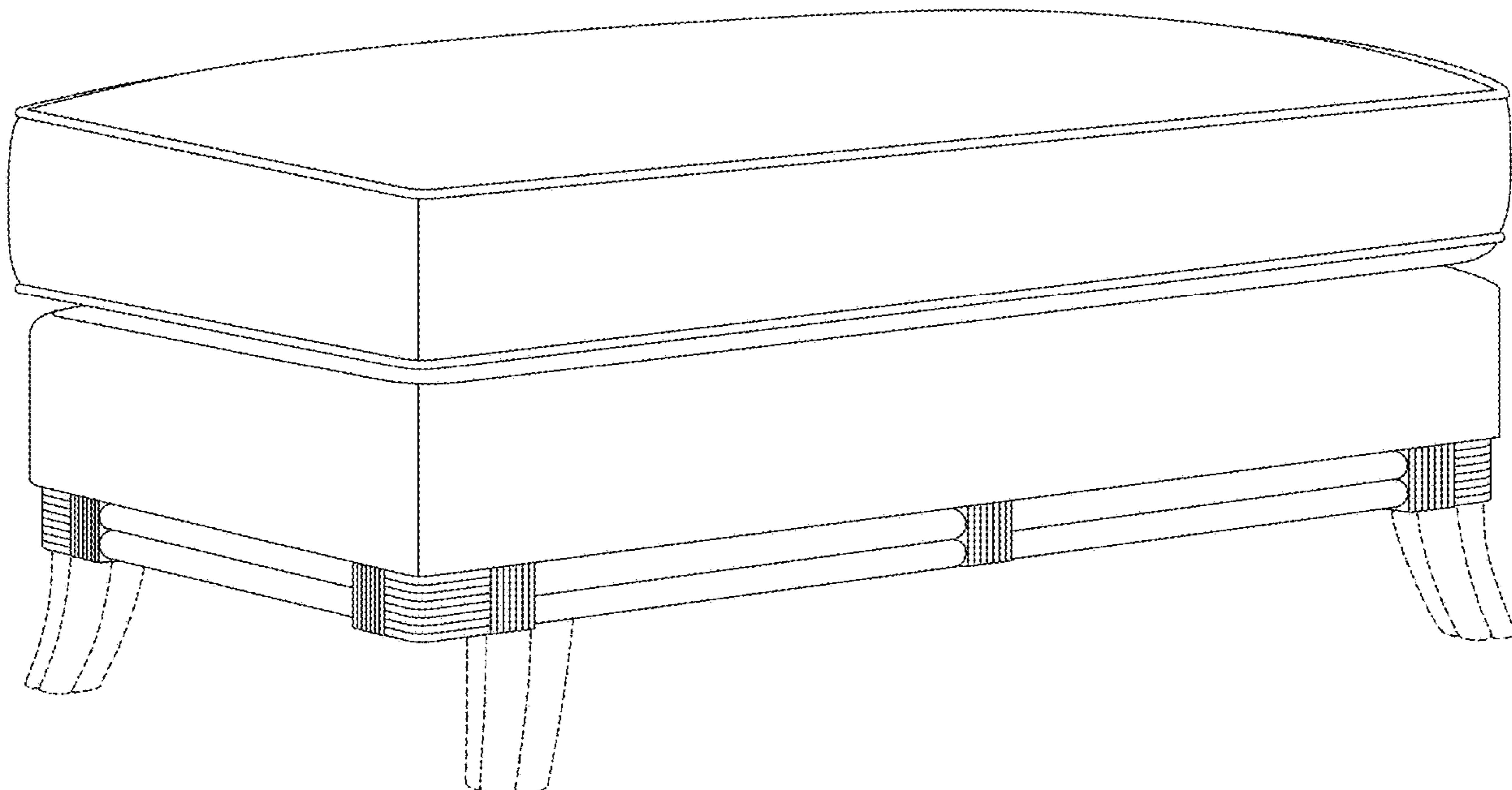
(57) **CLAIM**

The ornamental design for furniture, as shown and described.

**DESCRIPTION**

FIG. 1 is a perspective view of a furniture, showing our new design;  
FIG. 2 is a front elevation view thereof;  
FIG. 3 is a side elevation thereof, with the opposite side being a mirror image; and,  
FIG. 4 is a top plan view thereof.  
The broken lines depict environmental subject matter that forms no part of the claimed design.

**1 Claim, 3 Drawing Sheets**



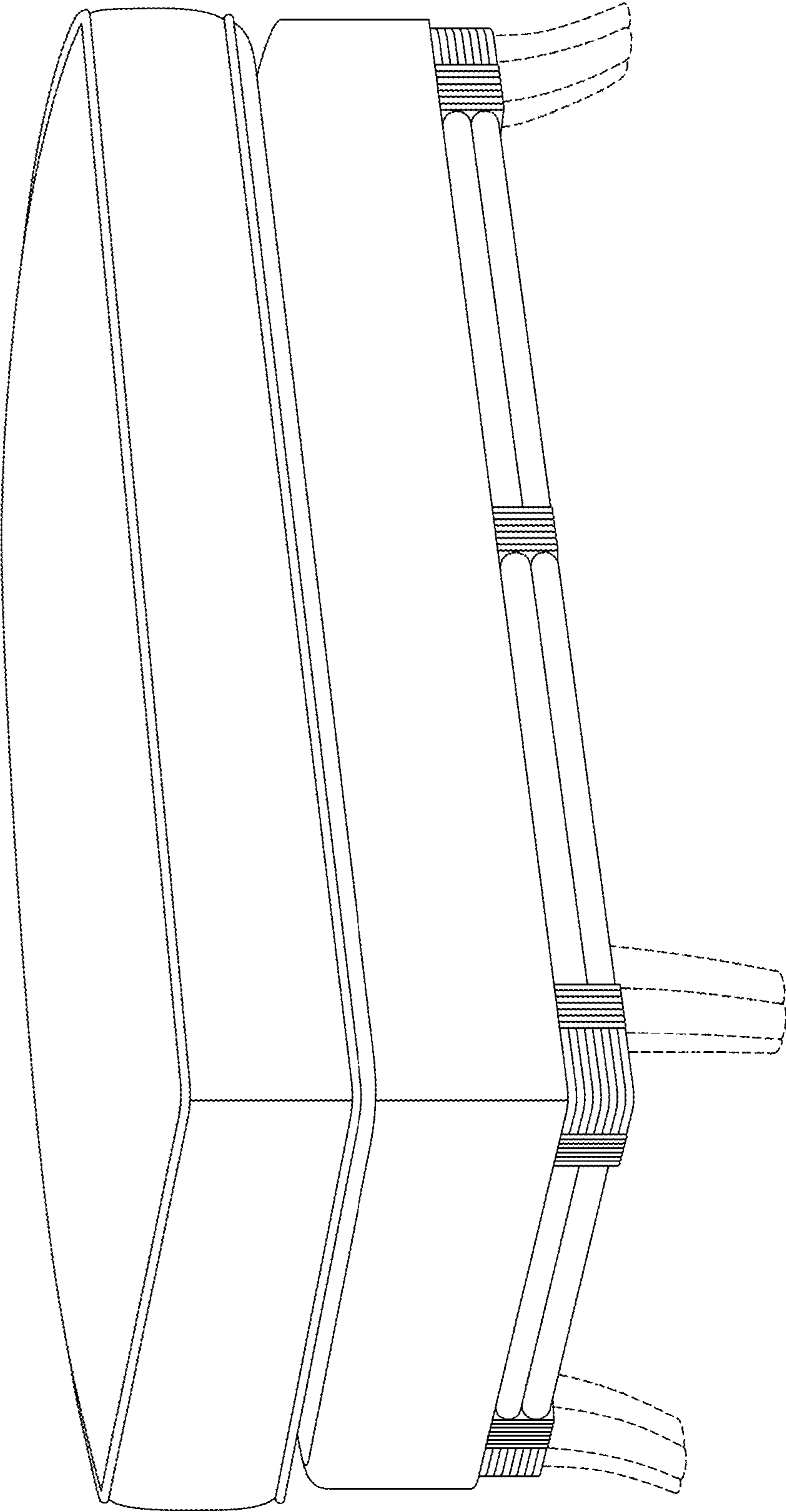


FIG. 1

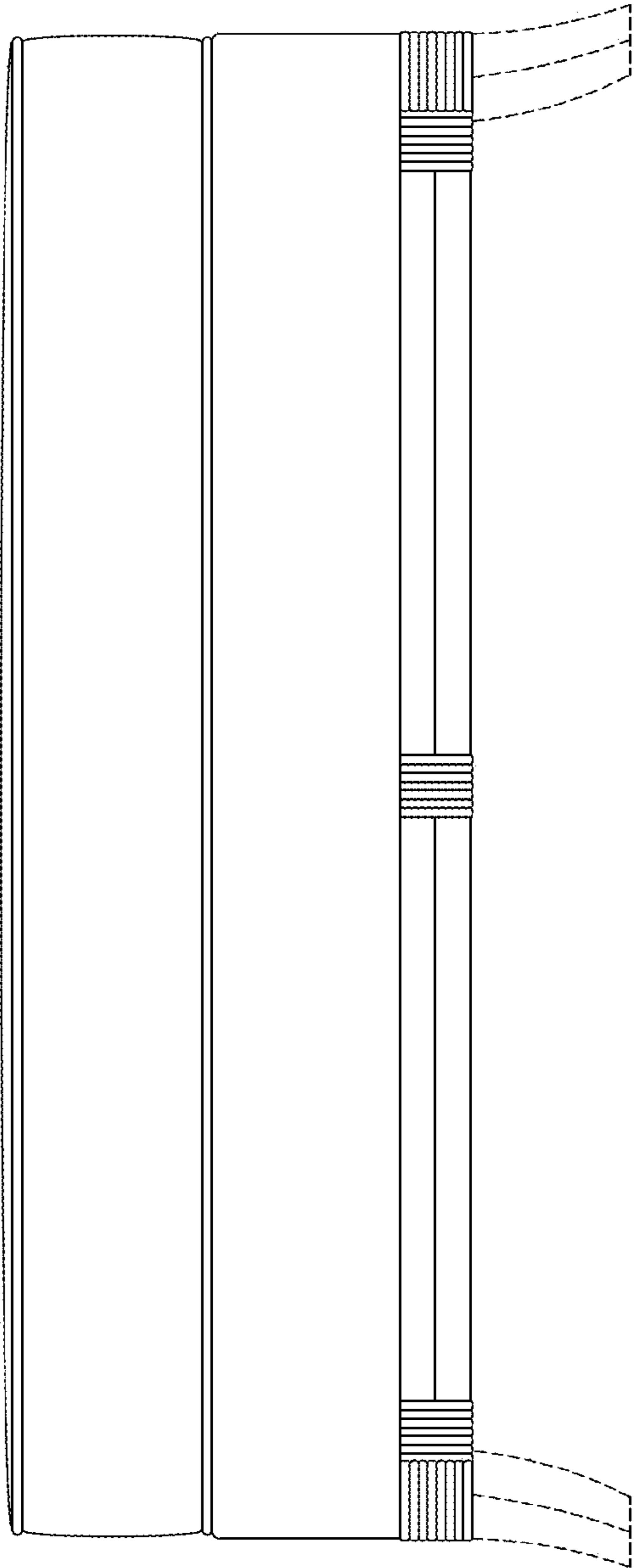


FIG. 2

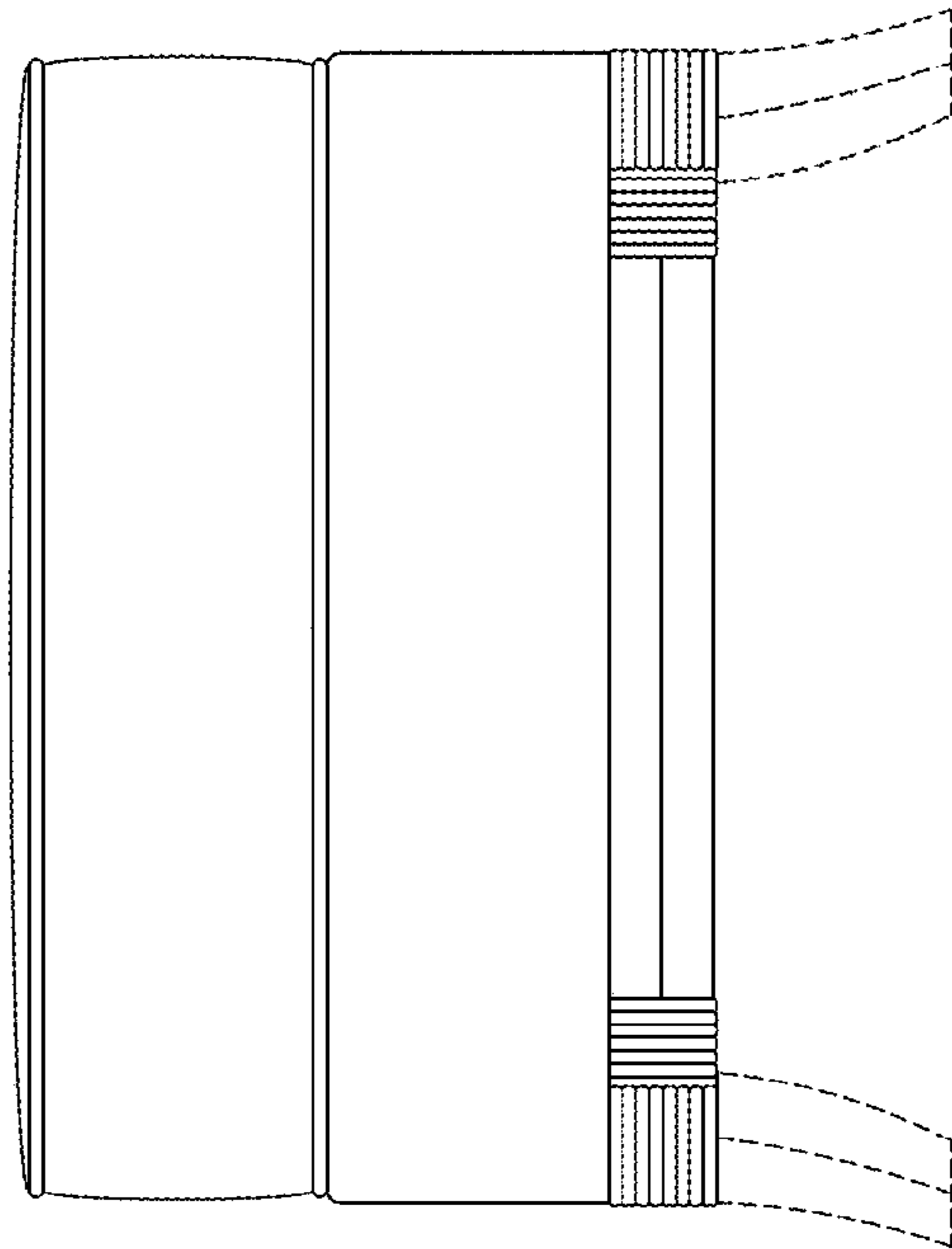


FIG. 3

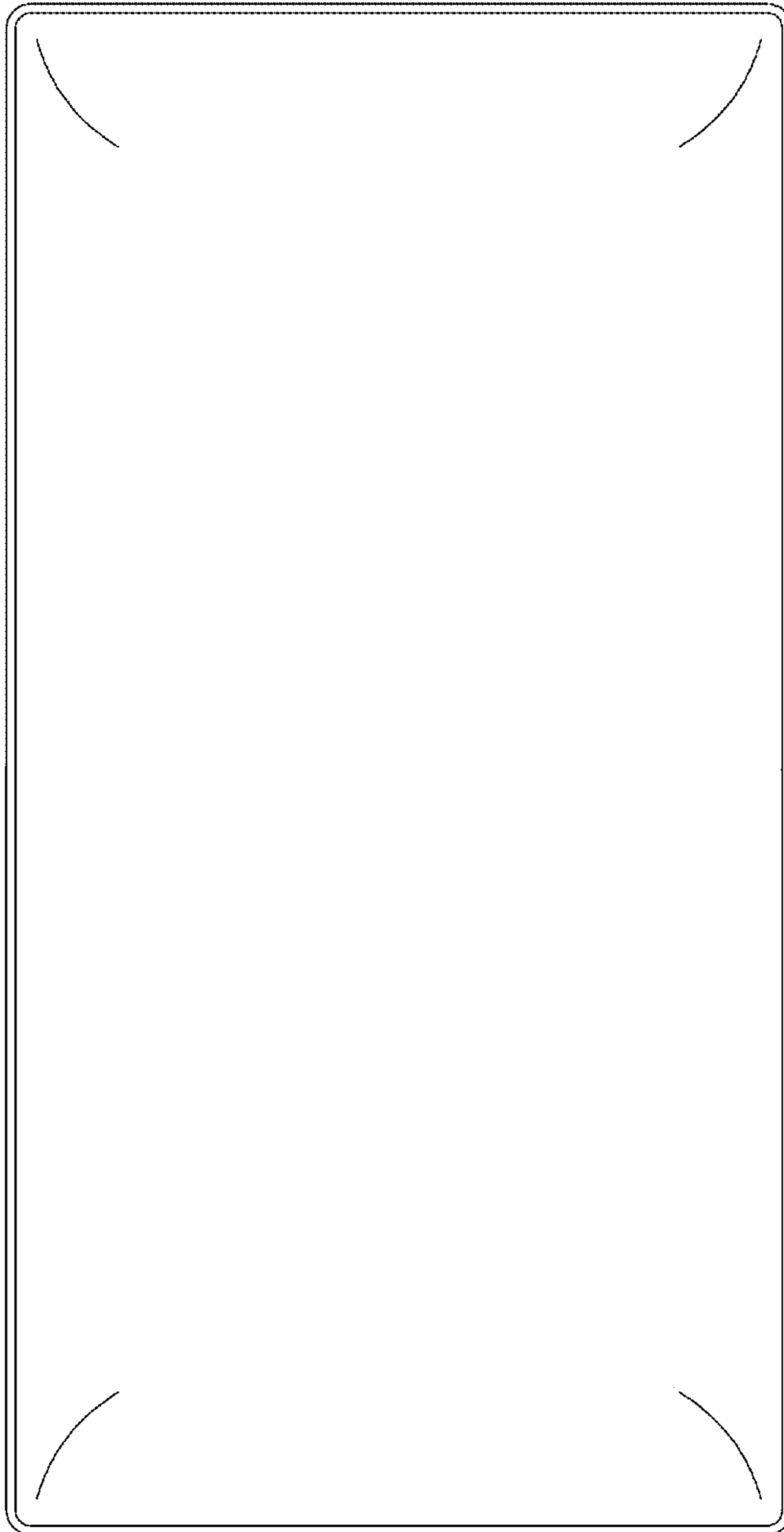


FIG. 4