



US00D914390S

(12) **United States Design Patent** (10) **Patent No.:** **US D914,390 S**  
**Wu** (45) **Date of Patent:** **\*\* Mar. 30, 2021**

(54) **SOFA**

(71) Applicant: **Jun Wu**, Linhai (CN)

(72) Inventor: **Jun Wu**, Linhai (CN)

(73) Assignee: **Linhai Baocheng Cafts Co., Ltd.**,  
Linhai (CN)

(\*\*) Term: **15 Years**

(21) Appl. No.: **29/717,514**

(22) Filed: **Dec. 18, 2019**

(30) **Foreign Application Priority Data**

Jul. 29, 2019 (CN) ..... 201930405266.8

(51) **LOC (13) Cl.** ..... **06-01**

(52) **U.S. Cl.**  
USPC ..... **D6/381; D6/369**

(58) **Field of Classification Search**  
USPC ..... D6/334, 335, 369, 379-381  
CPC .. A47C 5/00; A47C 5/02; A47C 17/02; A47C  
7/18; A47C 4/028  
See application file for complete search history.

(56) **References Cited**

U.S. PATENT DOCUMENTS

D248,997 S *	8/1978	Peed .....	D6/381
D259,224 S *	5/1981	Sonnenleiter .....	D6/379
D260,825 S *	9/1981	Redmond .....	D6/379
D562,021 S *	2/2008	Smith .....	A47C 3/16 D6/381
D865,380 S *	11/2019	Kin .....	D6/335
D866,205 S *	11/2019	Kin .....	D6/335
D898,396 S *	10/2020	Massaud .....	D6/369
2016/0045028 A1 *	2/2016	Goodman .....	A47C 3/16 297/344.21

\* cited by examiner

*Primary Examiner* — Cathron C Brooks

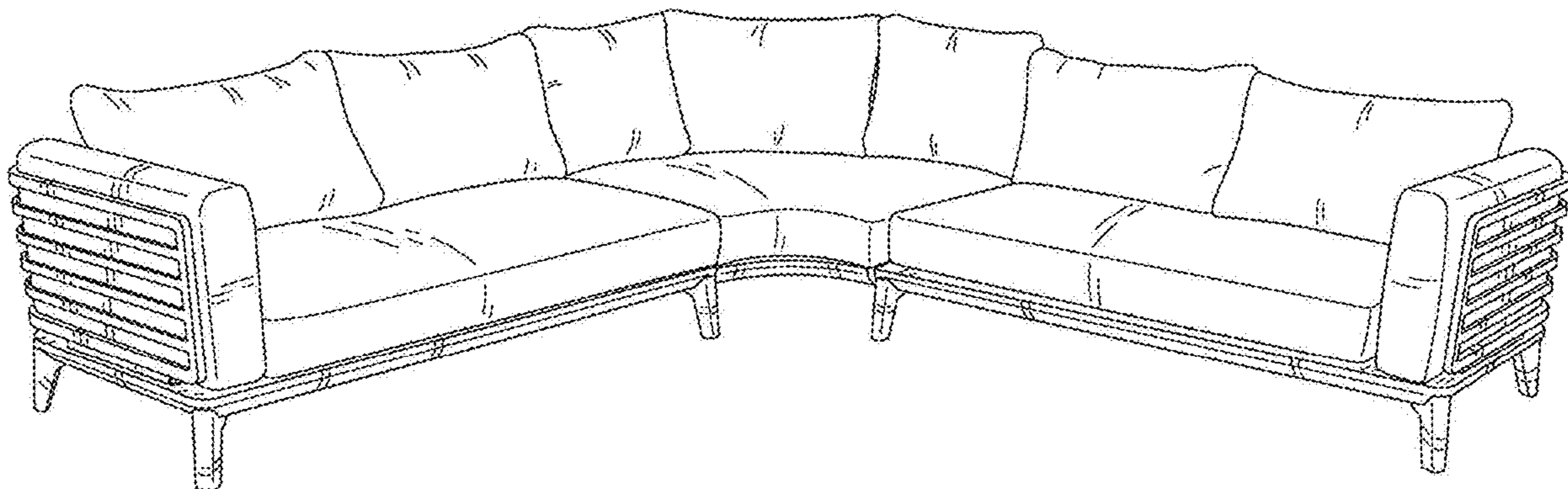
(57) **CLAIM**

The ornamental design for a sofa, as shown and described.

**DESCRIPTION**

FIG. 1 is a perspective view of a sofa showing my new design;  
FIG. 2 is a front elevational view thereof;  
FIG. 3 is a rear elevational view thereof;  
FIG. 4 is a left side elevational view thereof; and,  
FIG. 5 is a right side elevational view thereof.

**1 Claim, 5 Drawing Sheets**



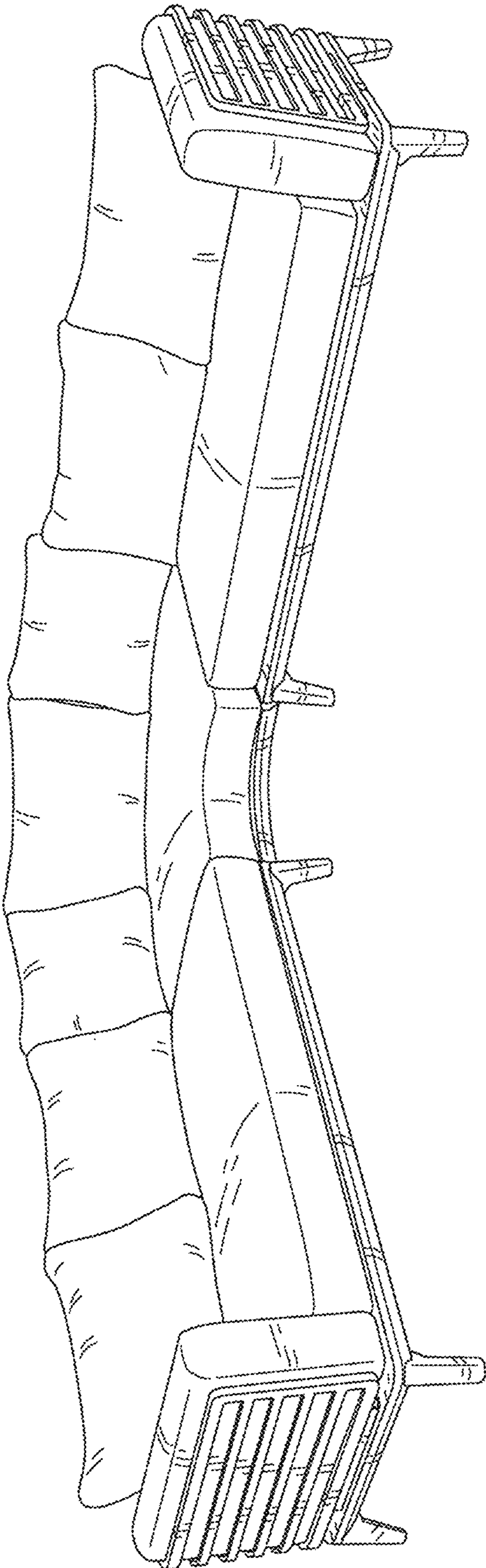


FIG. 1

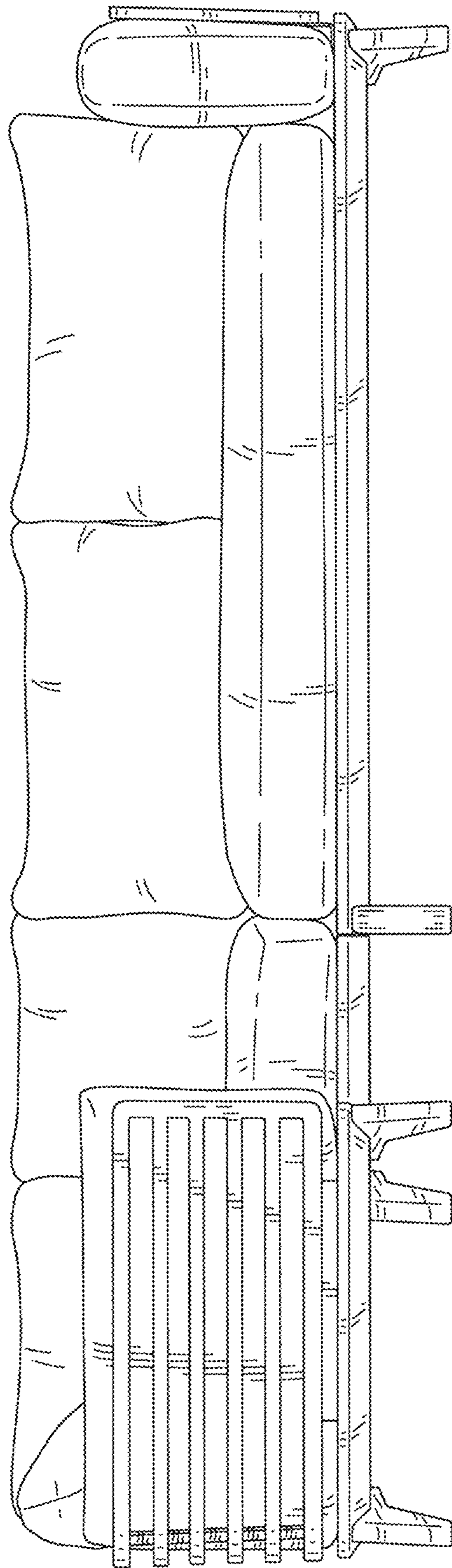


FIG. 2



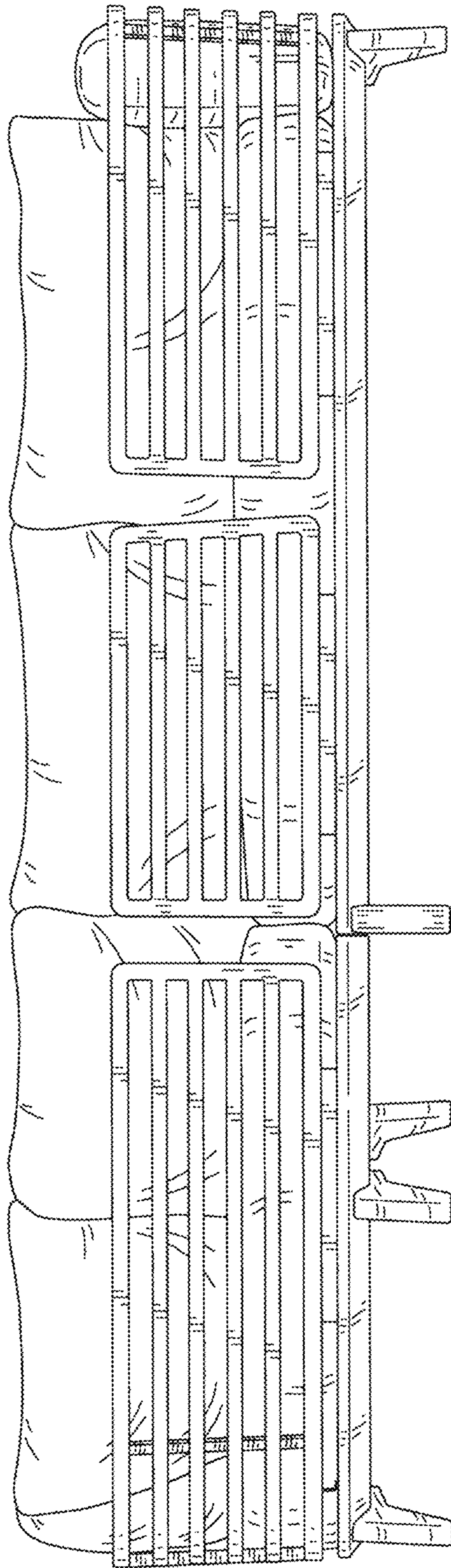


FIG. 3

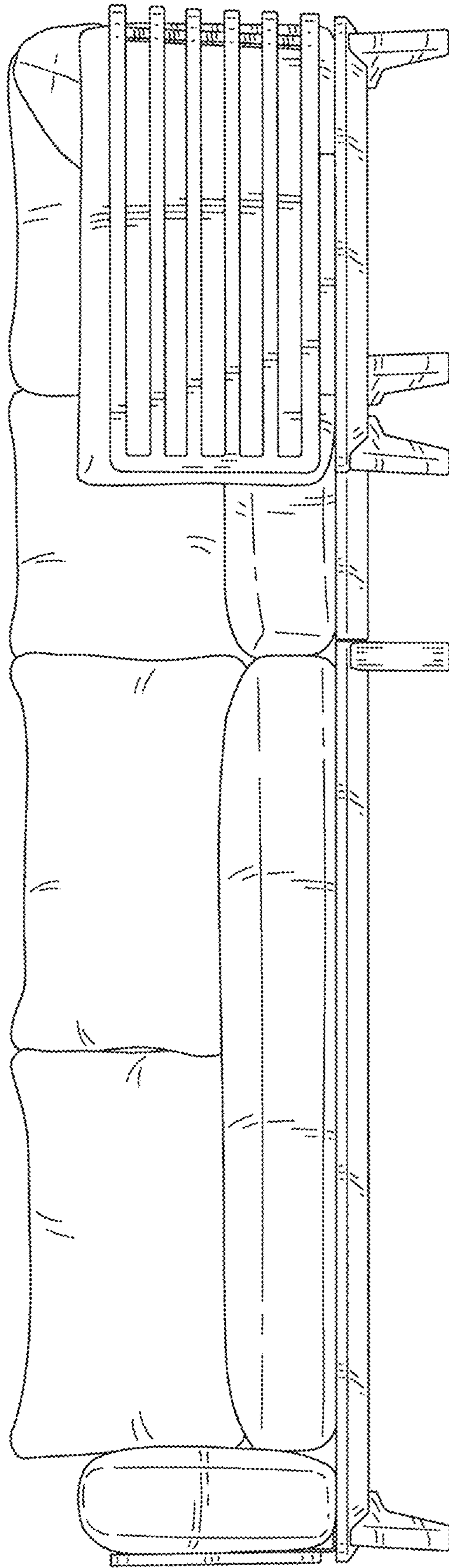


FIG. 4

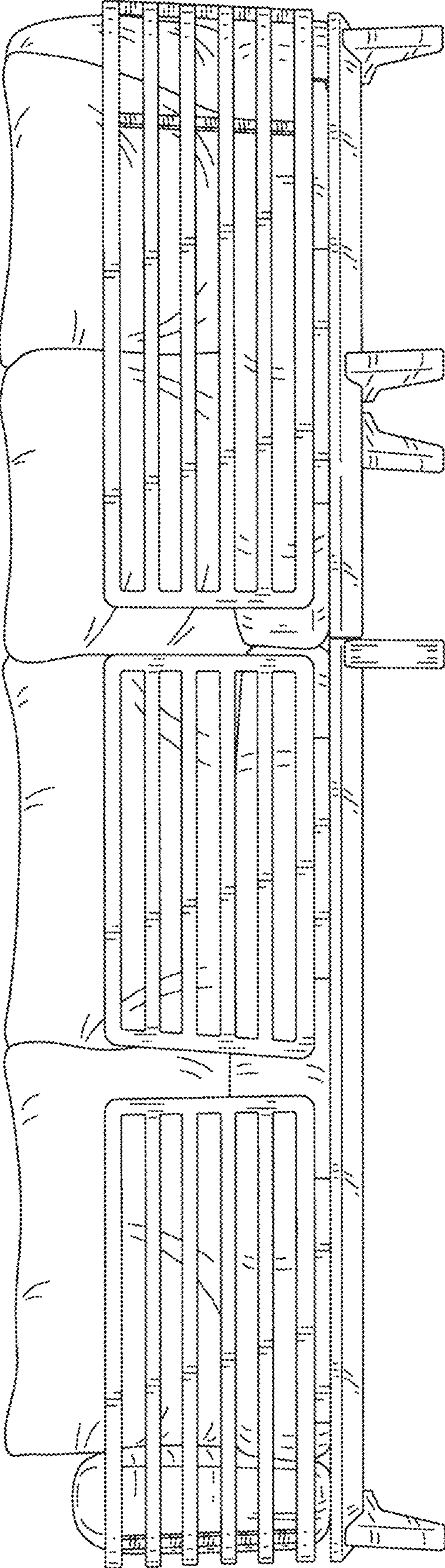


FIG. 5