



US00D914386S

(12) **United States Design Patent**  
**Li**

(10) **Patent No.:** **US D914,386 S**

(45) **Date of Patent:** **\*\* Mar. 30, 2021**

(54) **CHAIR**

(71) Applicant: **Homy Casa Limited**, Hong Kong (HK)

(72) Inventor: **YueHai Li**, Guangzhou (CN)

(73) Assignee: **HOMY CASA LIMITED**, Hong Kong (HK)

(\*\*) Term: **15 Years**

(21) Appl. No.: **29/700,816**

(22) Filed: **Aug. 6, 2019**

(51) **LOC (13) Cl.** ..... **06-01**

(52) **U.S. Cl.**  
USPC ..... **D6/374**

(58) **Field of Classification Search**

USPC ..... D6/333, 334, 341, 348, 349, 350, 352,  
D6/353, 360, 364, 369, 370, 371, 373,  
D6/374, 375, 376, 377, 379, 380, 390,  
D6/677, 692, 700, 708, 708.16, 716, 363;  
D16/237; D21/412, 419, 521

CPC ..... A47C 1/124; A47C 3/34; A47C 4/028;  
A47C 4/02; A47C 5/12; A47C 5/125;  
A47C 7/506; A47C 9/007; A47C 13/005;  
A47C 13/023; A47C 31/113; B60R  
2/0284; B60R 2/062; B60R 22/001; B60R  
22/24; B60R 22/28; B60R 22/58; B60R  
22/64; B60R 22/68; B60R 22/80; B60R  
22/99; B60R 22/245; B60R 22/643; B60R  
22/646; B60R 22/665; B60R 22/686;  
B60R 22/688; B60R 22/803; B60R  
22/986; B60R 22/914; B60R 22/995

See application file for complete search history.

(56) **References Cited**

**U.S. PATENT DOCUMENTS**

D177,886 S \* 5/1956 Thaden ..... D6/375  
D532,617 S \* 11/2006 Frinier ..... D6/334

D596,864 S \* 7/2009 Bergmann ..... D6/369  
D607,222 S \* 1/2010 Bassam ..... D6/369  
D746,609 S \* 1/2016 Lievore ..... D6/375  
D789,101 S \* 6/2017 Morrison ..... D6/334  
D802,310 S \* 11/2017 Rockwell ..... D6/334  
D807,066 S \* 1/2018 Vance ..... D6/334  
D815,449 S \* 4/2018 Hannoosh ..... D6/374  
D829,016 S \* 9/2018 Segers ..... D6/370  
D876,116 S \* 2/2020 Ji ..... D6/374  
D880,173 S \* 4/2020 Killinger ..... D6/334  
D890,541 S \* 7/2020 Bray ..... D6/375  
D891,805 S \* 8/2020 Li ..... D6/374  
D891,807 S \* 8/2020 Li ..... D6/375

\* cited by examiner

*Primary Examiner* — Kevin K Rudzinski

*Assistant Examiner* — Paul D Bohannon

(74) *Attorney, Agent, or Firm* — Hauptman Ham, LLP

(57) **CLAIM**

The ornamental design for a chair, as shown and described.

**DESCRIPTION**

FIG. 1 is a front view of a chair bearing the design;

FIG. 2 is a rear view thereof

FIG. 3 is a left side view thereof;

FIG. 4 is a right side view thereof;

FIG. 5 is a top view thereof;

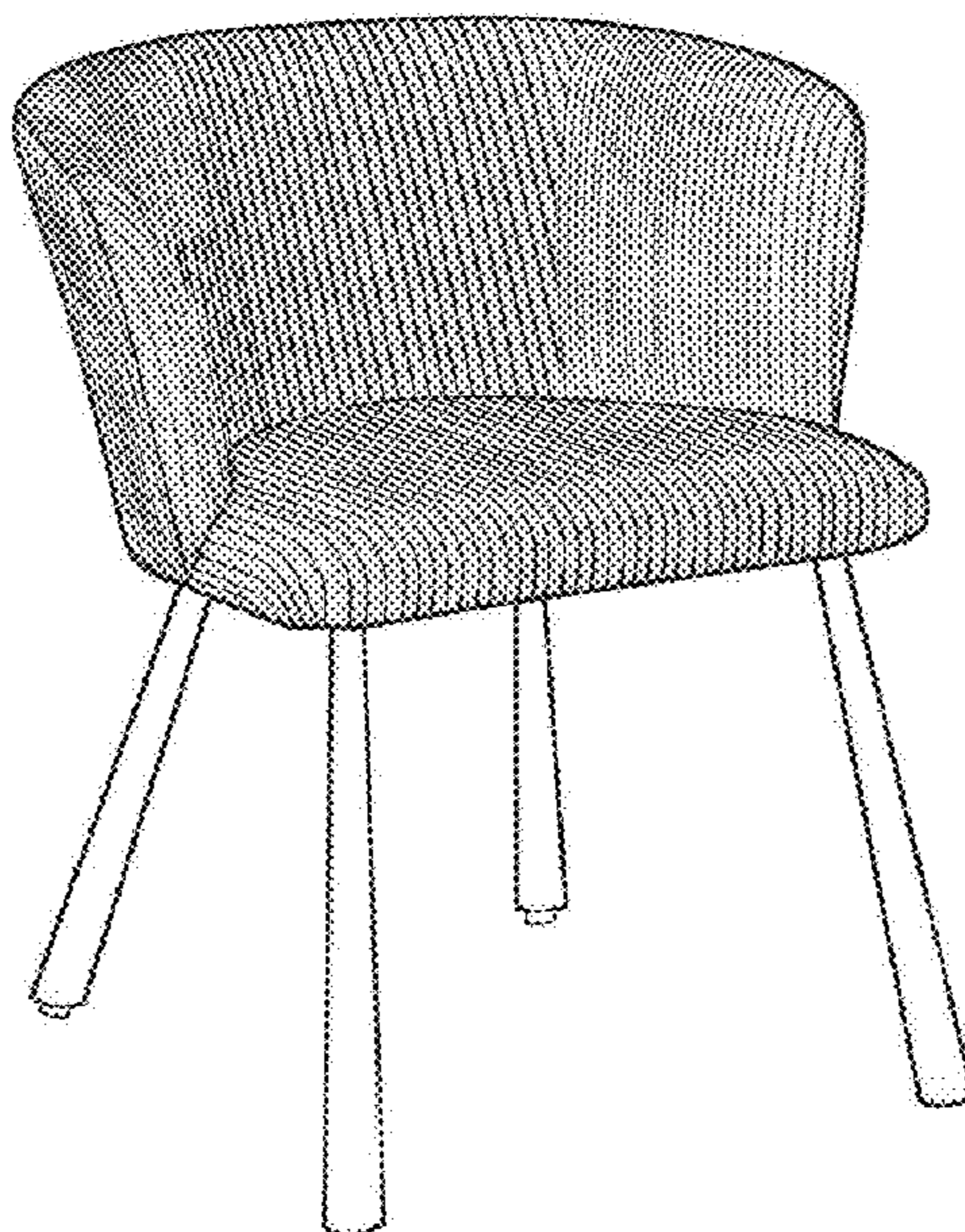
FIG. 6 is a bottom view thereof; and,

FIG. 7 is a front-left perspective view thereof.

The broken lines showing portions of the chair form no part of the claimed design.

The gray shading shown on the chair surface in the drawings represents a contrast in appearance between portions of the chair surface and chair legs, and forms no part of the claimed design.

**1 Claim, 7 Drawing Sheets**



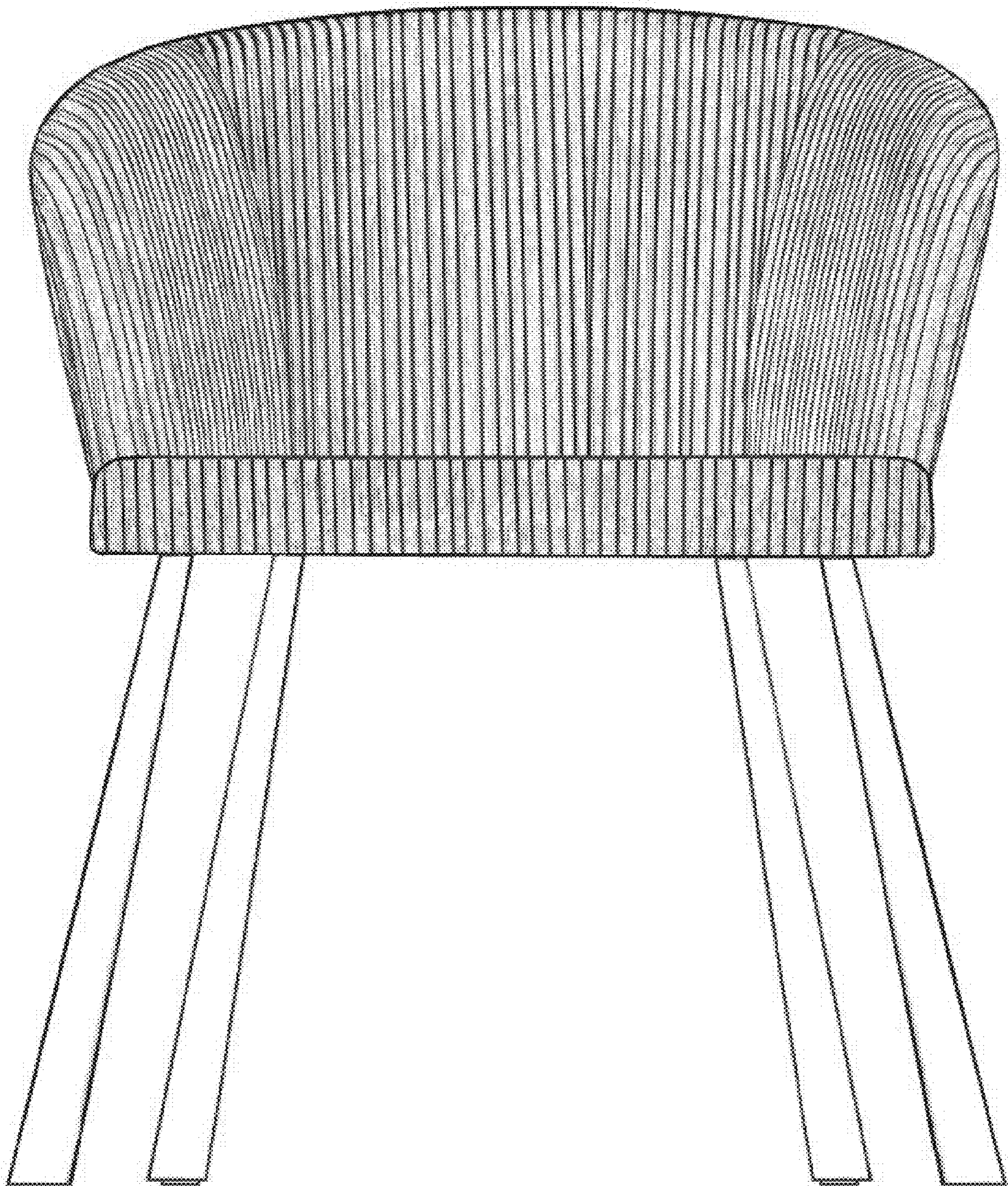


FIG. 1

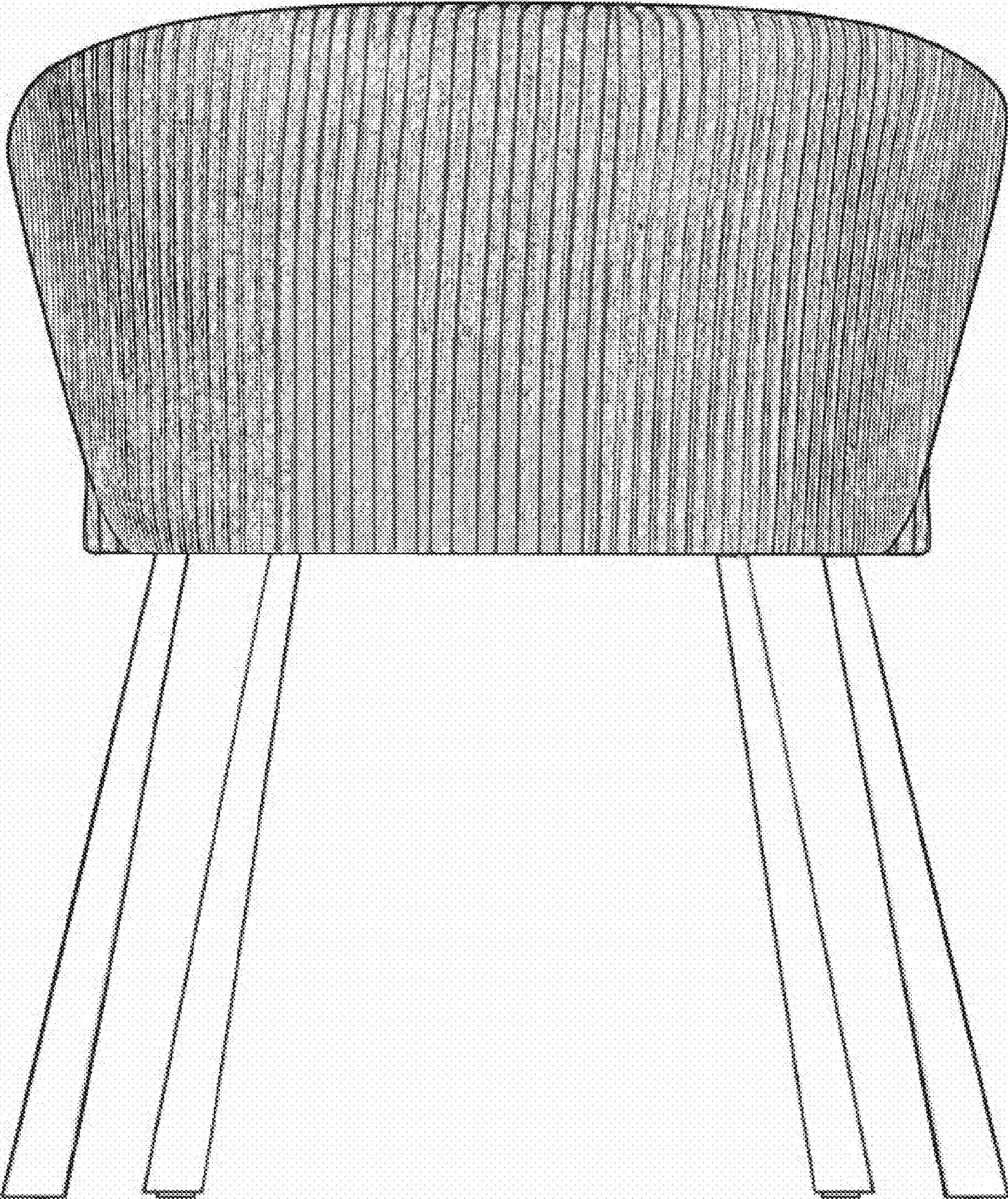


FIG. 2



FIG. 3



FIG. 4

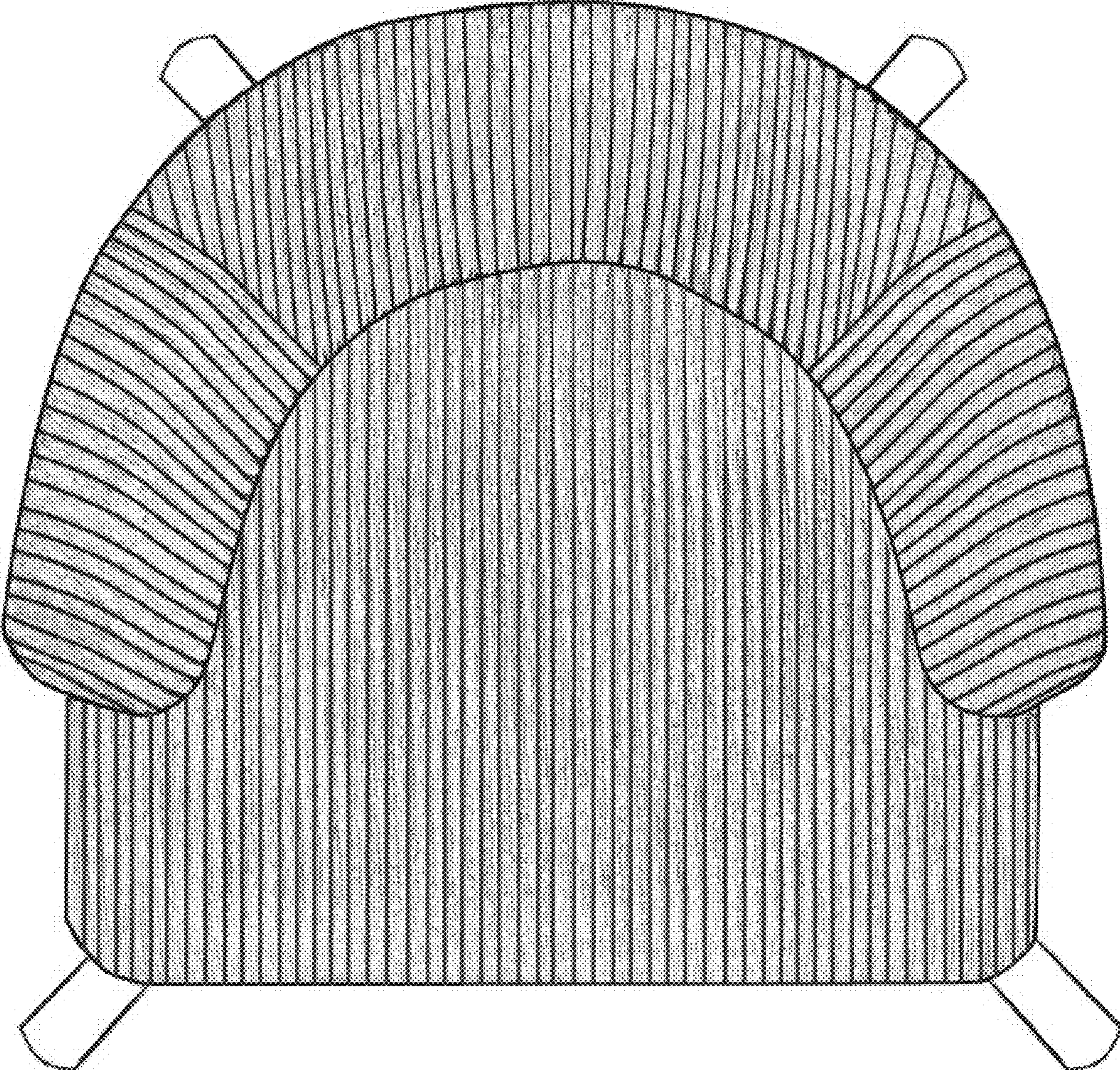


FIG. 5

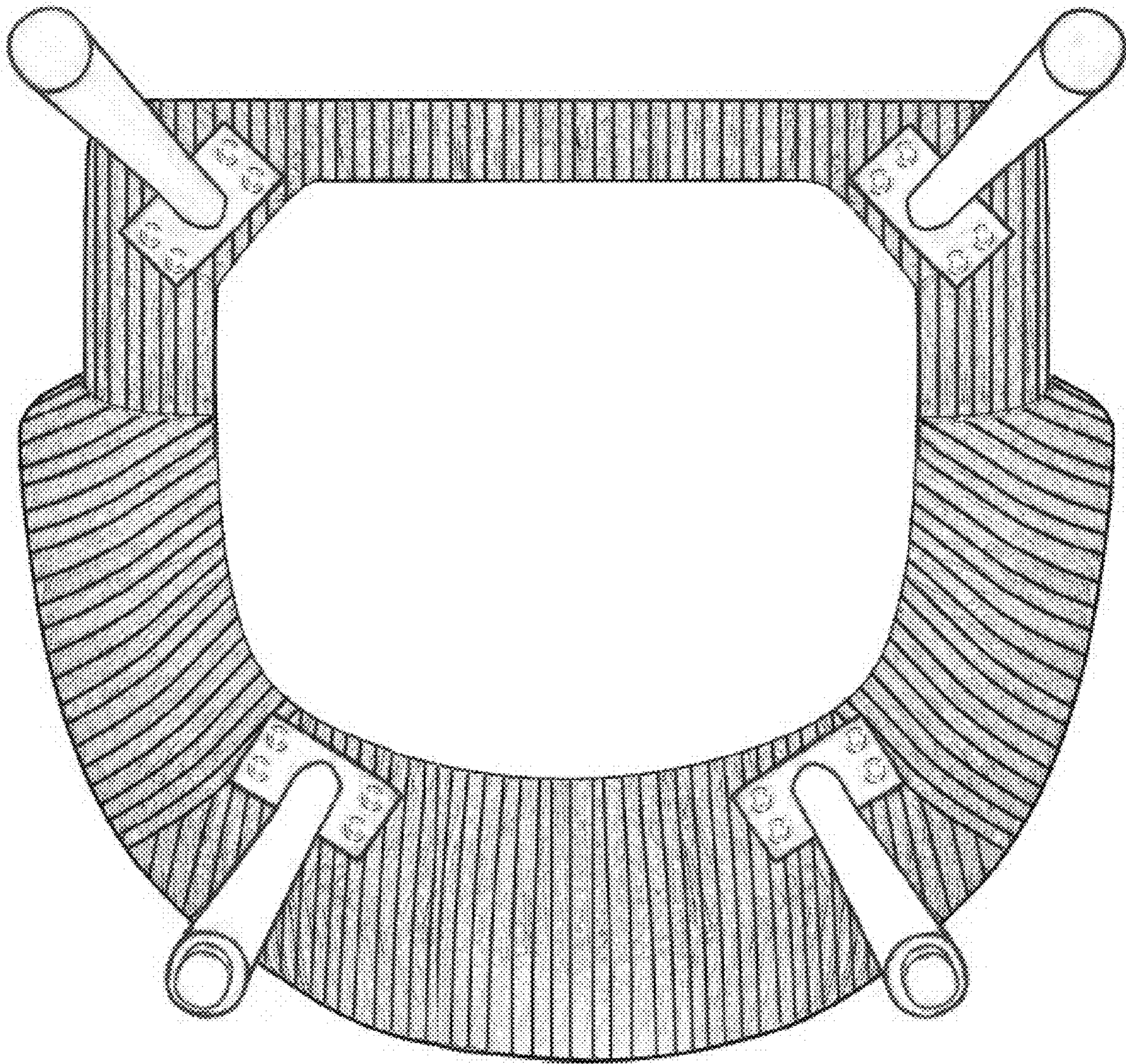


FIG. 6



FIG. 7