



US00D914384S

(12) **United States Design Patent**
Foersom et al.

(10) **Patent No.:** **US D914,384 S**
(45) **Date of Patent:** **** Mar. 30, 2021**

- (54) **3-SEATER SOFA**
- (71) Applicant: **CANE-LINE A/S**, Rynkeby (DK)
- (72) Inventors: **Johannes Foersom**, Copenhagen (DK);
Peter Hiort-Lorenzen, Copenhagen (DK)
- (73) Assignee: **CANE-LINE A/S**, Rynkeby (DK)
- (**) Term: **15 Years**
- (21) Appl. No.: **29/623,155**
- (22) Filed: **Oct. 23, 2017**
- (30) **Foreign Application Priority Data**

May 5, 2017 (EM) 003935527-0003

- (51) **LOC (13) Cl.** **06-01**
- (52) **U.S. Cl.**
USPC **D6/369**
- (58) **Field of Classification Search**
USPC D6/335, 336, 377, 378, 381, 369
CPC A47C 5/02
See application file for complete search history.

(56) **References Cited**

U.S. PATENT DOCUMENTS

D124,032 S *	12/1940	Houghton	D6/369
D151,617 S *	11/1948	Feraud	D6/369
D168,993 S *	3/1953	Gould	D6/369
D250,231 S *	11/1978	Wilson	D6/369
D259,318 S *	5/1981	Hanaford	D6/369
D259,599 S *	6/1981	Credicott	D6/369
D261,833 S *	11/1981	Claman	D6/369
D264,529 S *	5/1982	Olko	D6/369
D266,639 S *	10/1982	Thorpe	D6/369
D268,465 S *	4/1983	Bergguist	D6/369
D439,071 S *	3/2001	D'Urso	D6/377
D493,988 S *	8/2004	Lawson	D6/369

D554,872 S *	11/2007	Wimberger	D6/334
D720,149 S *	12/2014	Armani	D6/369
D722,441 S *	2/2015	Kirar	D6/334
D761,582 S *	7/2016	Armani	D6/369
D773,837 S *	12/2016	Bougay	D6/334
D774,794 S *	12/2016	Cazzaniga	D6/369
D829,016 S *	9/2018	Segers	D6/370
D831,370 S *	10/2018	Massaud	D6/381
D844,340 S *	4/2019	Zhao	D6/370
D855,345 S *	8/2019	Segers	D6/370
D863,804 S *	10/2019	Foersom	D6/372
D872,494 S *	1/2020	White, III	D6/369
D872,495 S *	1/2020	White, III	D6/369
D873,578 S *	1/2020	Pedersen	D6/369
D875,413 S *	2/2020	Foersom	D6/369
D875,419 S *	2/2020	Glismand	D6/382
D876,116 S *	2/2020	Ji	D6/374
D878,071 S *	3/2020	Giampietro	D6/376
D888,452 S *	6/2020	Koophavonrek	D6/369

(Continued)

Primary Examiner — Deanna L Pratt

(74) *Attorney, Agent, or Firm* — Birch, Stewart, Kolasch & Birch, LLP

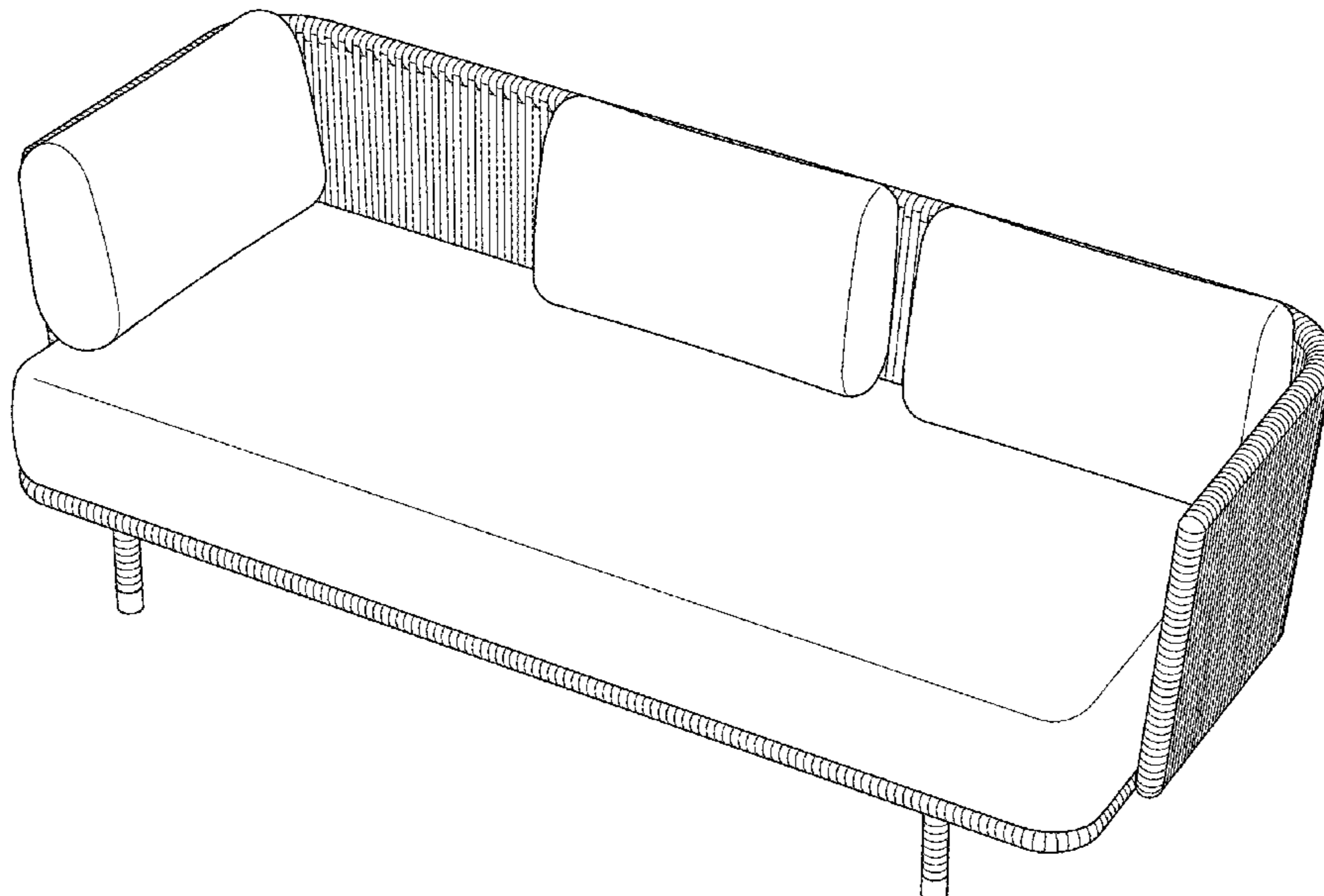
(57) **CLAIM**

The ornamental design for a 3-seater sofa, as shown and described.

DESCRIPTION

FIG. 1 is a front and right side perspective view of a 3-seater sofa showing our new design;
 FIG. 2 is a front and left side perspective view thereof;
 FIG. 3 is a front elevational view thereof;
 FIG. 4 is a rear elevational view thereof;
 FIG. 5 is a front perspective view thereof;
 FIG. 6 is a rear perspective view thereof;
 FIG. 7 is a rear and right side elevational view thereof;
 FIG. 8 is a rear and left side perspective view thereof; and,
 FIG. 9 is a top plan view thereof.

1 Claim, 9 Drawing Sheets



(56)

References Cited

U.S. PATENT DOCUMENTS

D889,876 S * 7/2020 Wahlborg D6/376
D900,498 S * 11/2020 Doshi D6/369
D901,921 S * 11/2020 Bergmann D6/369

* cited by examiner

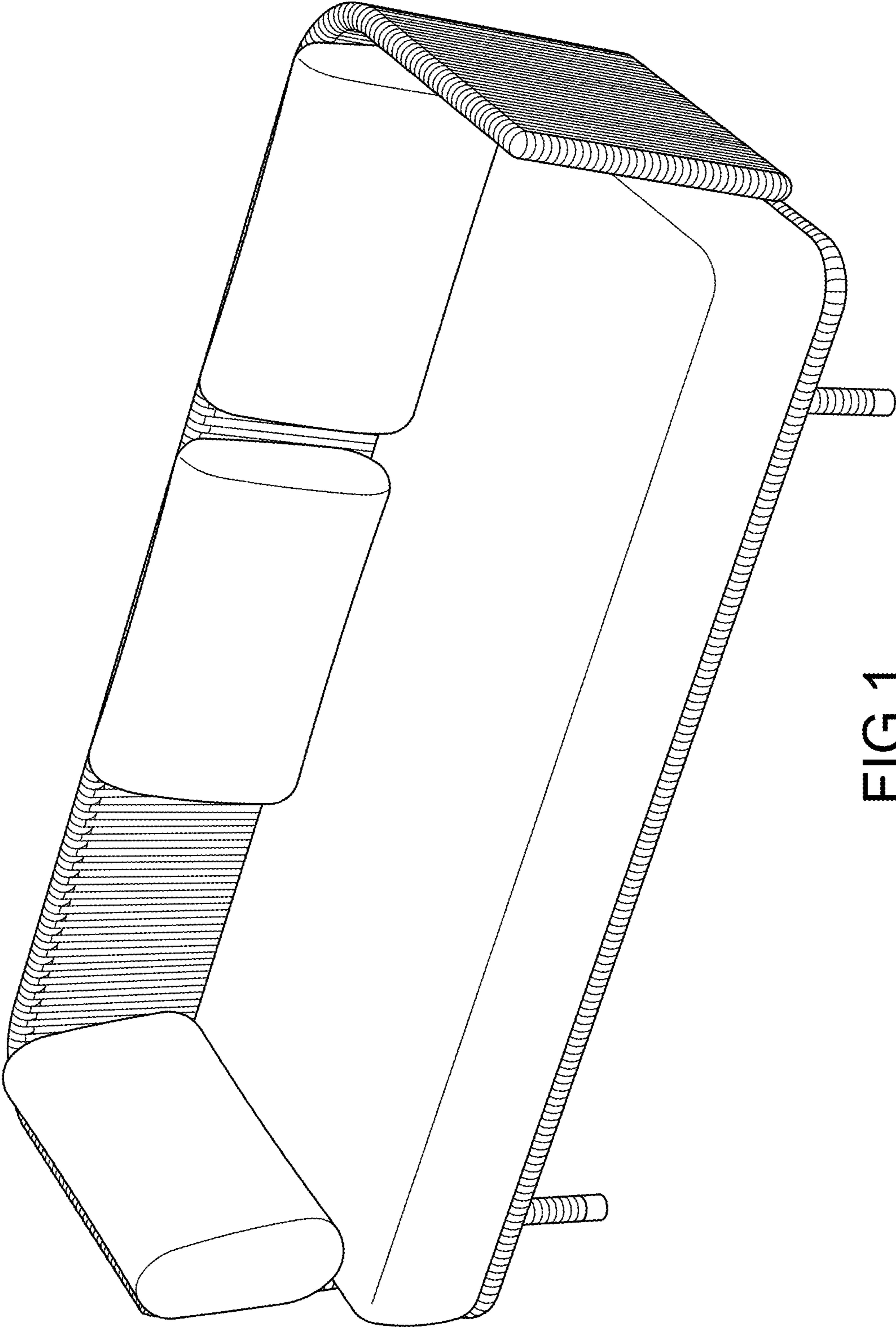


FIG.1

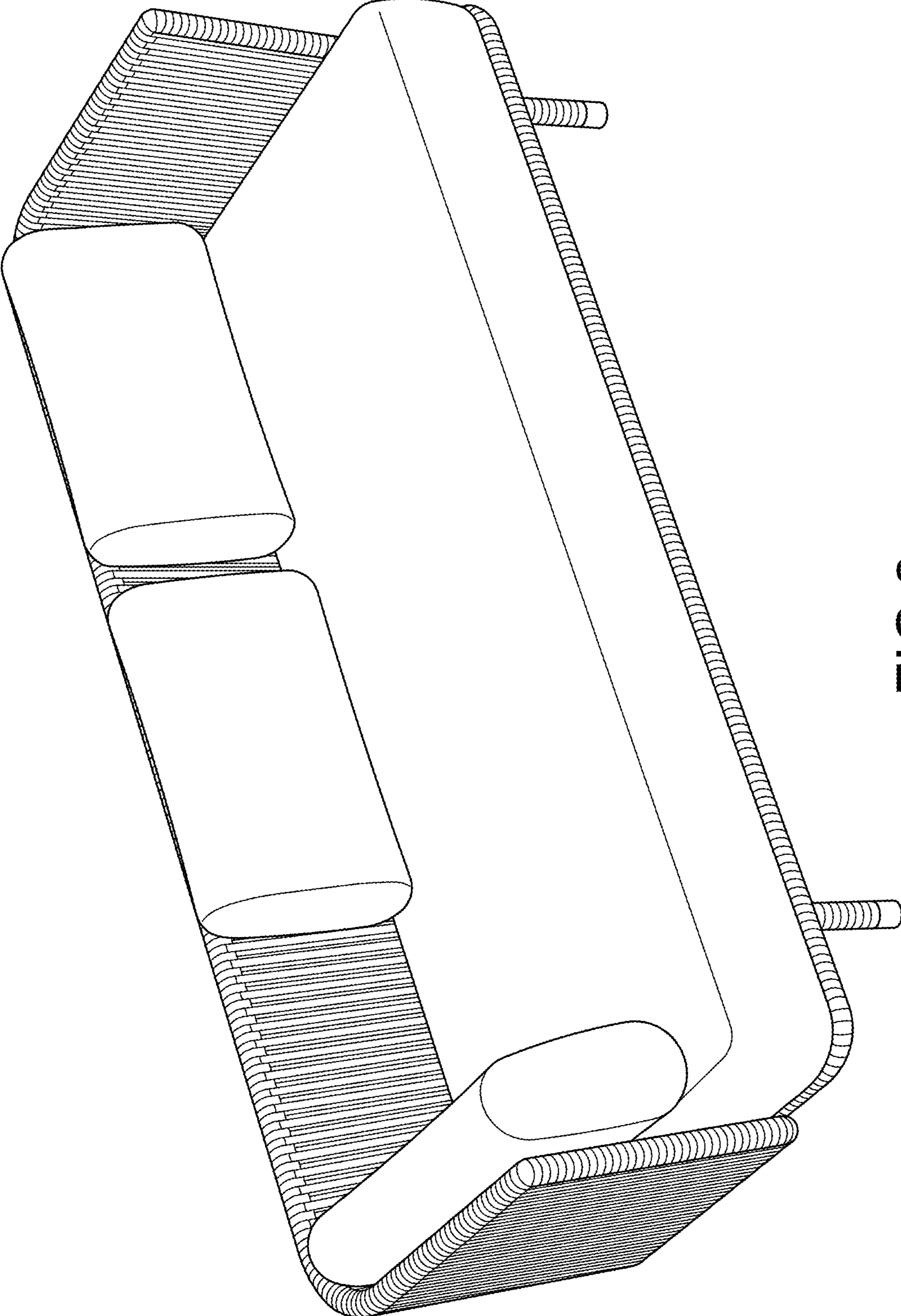


FIG.2

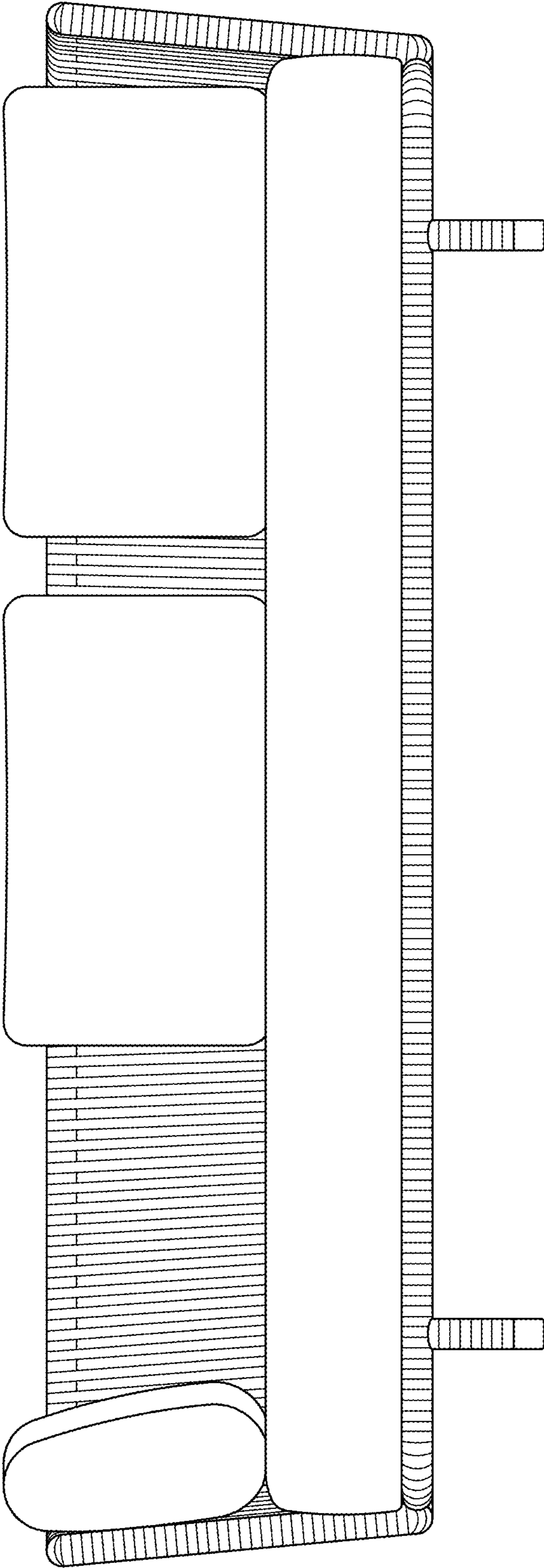


FIG.3

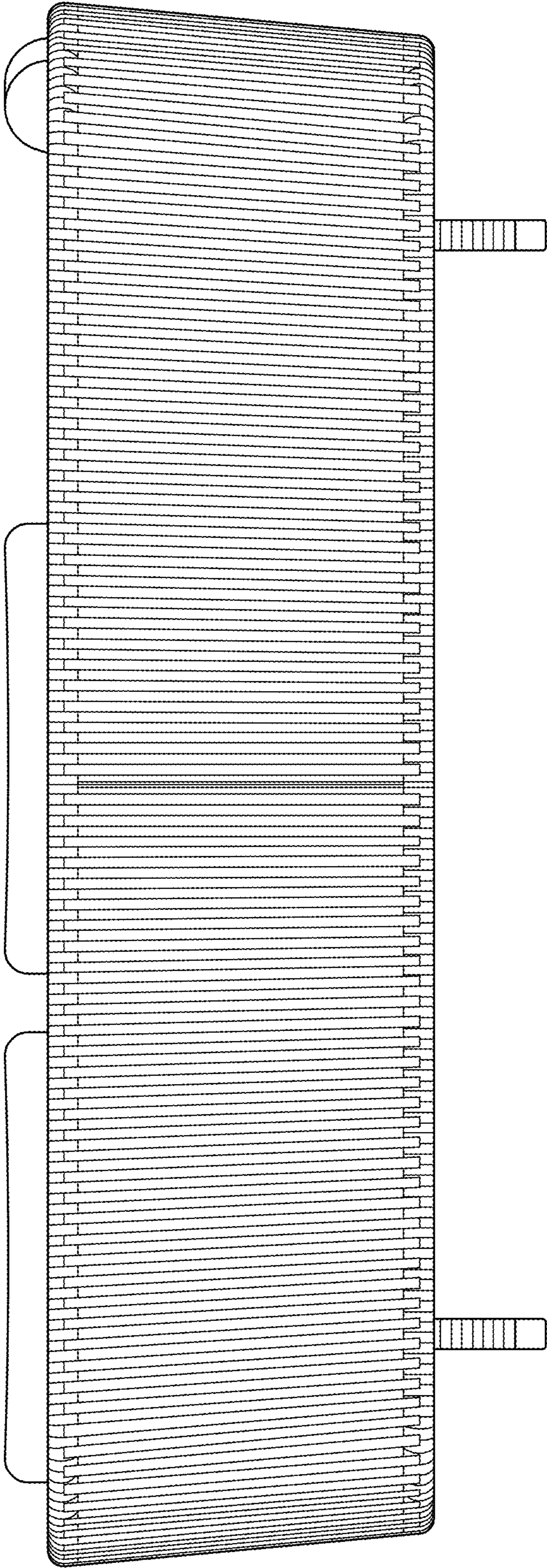


FIG.4

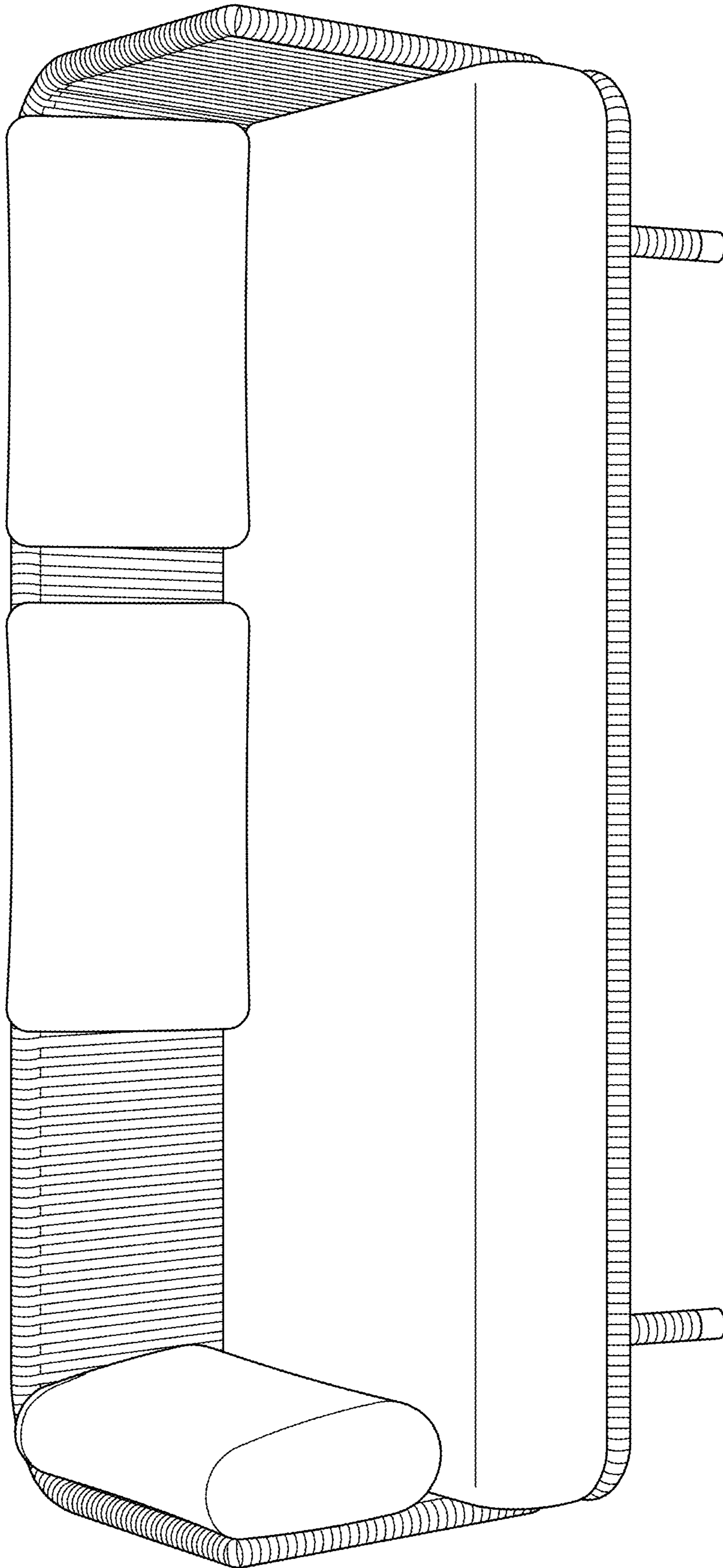


FIG.5

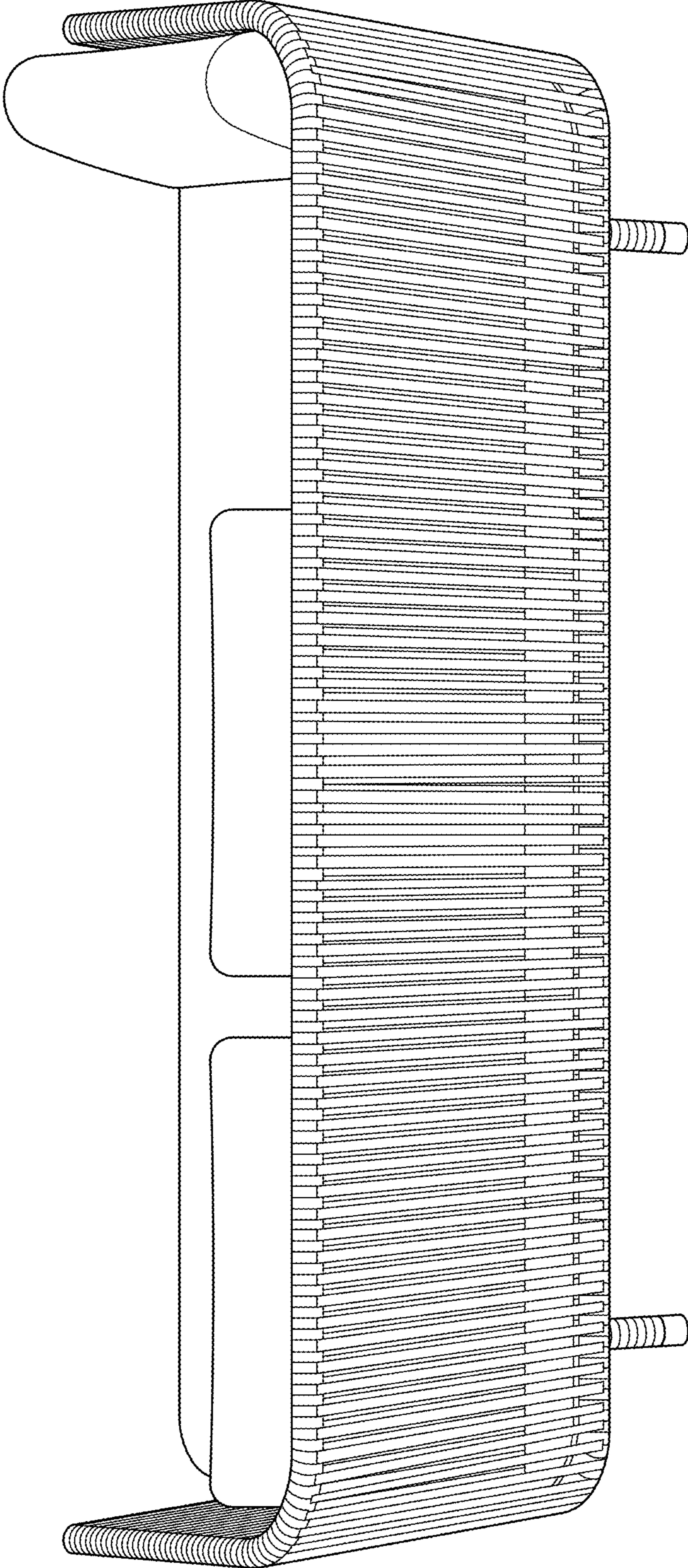


FIG.6

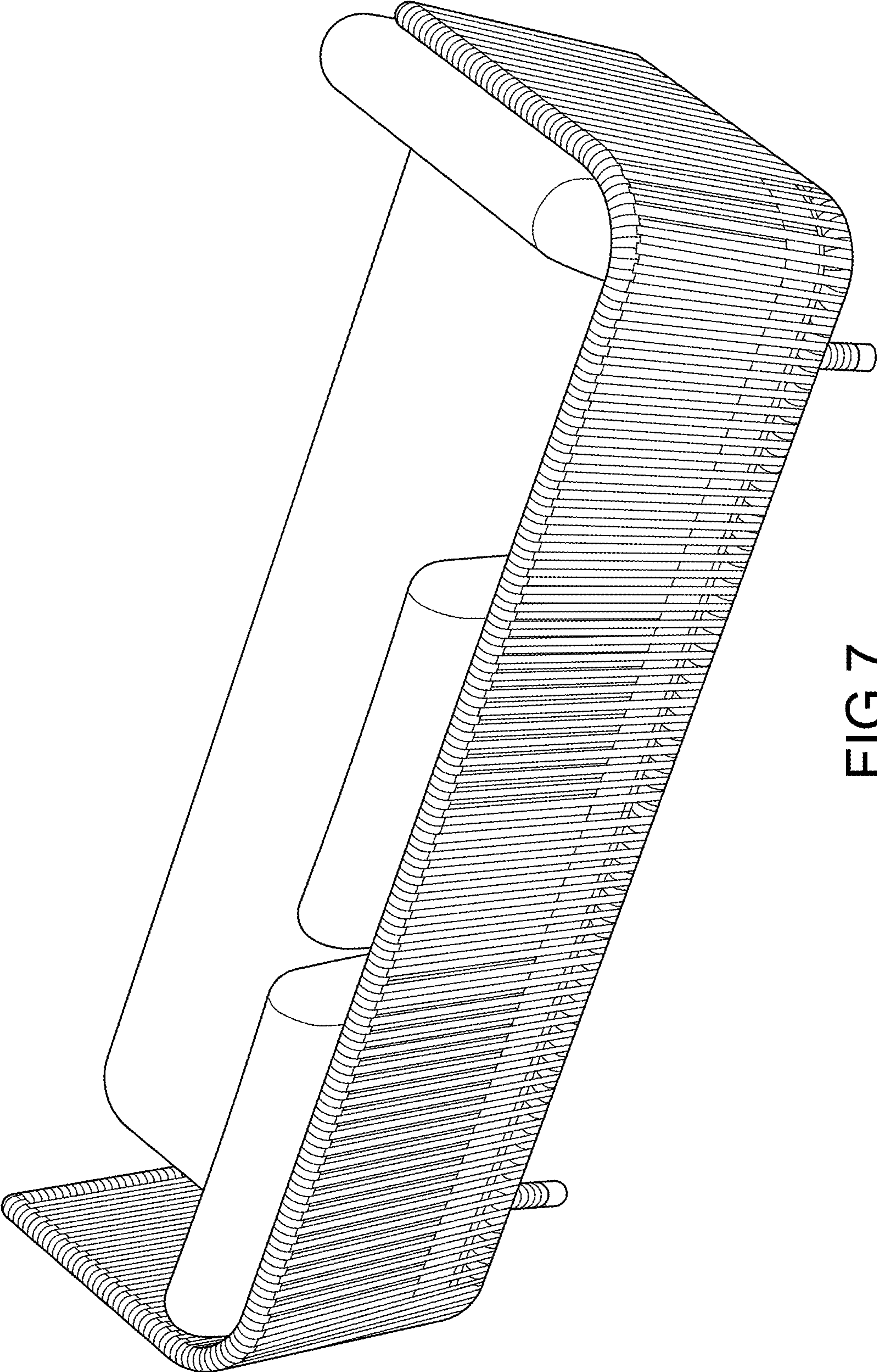


FIG.7

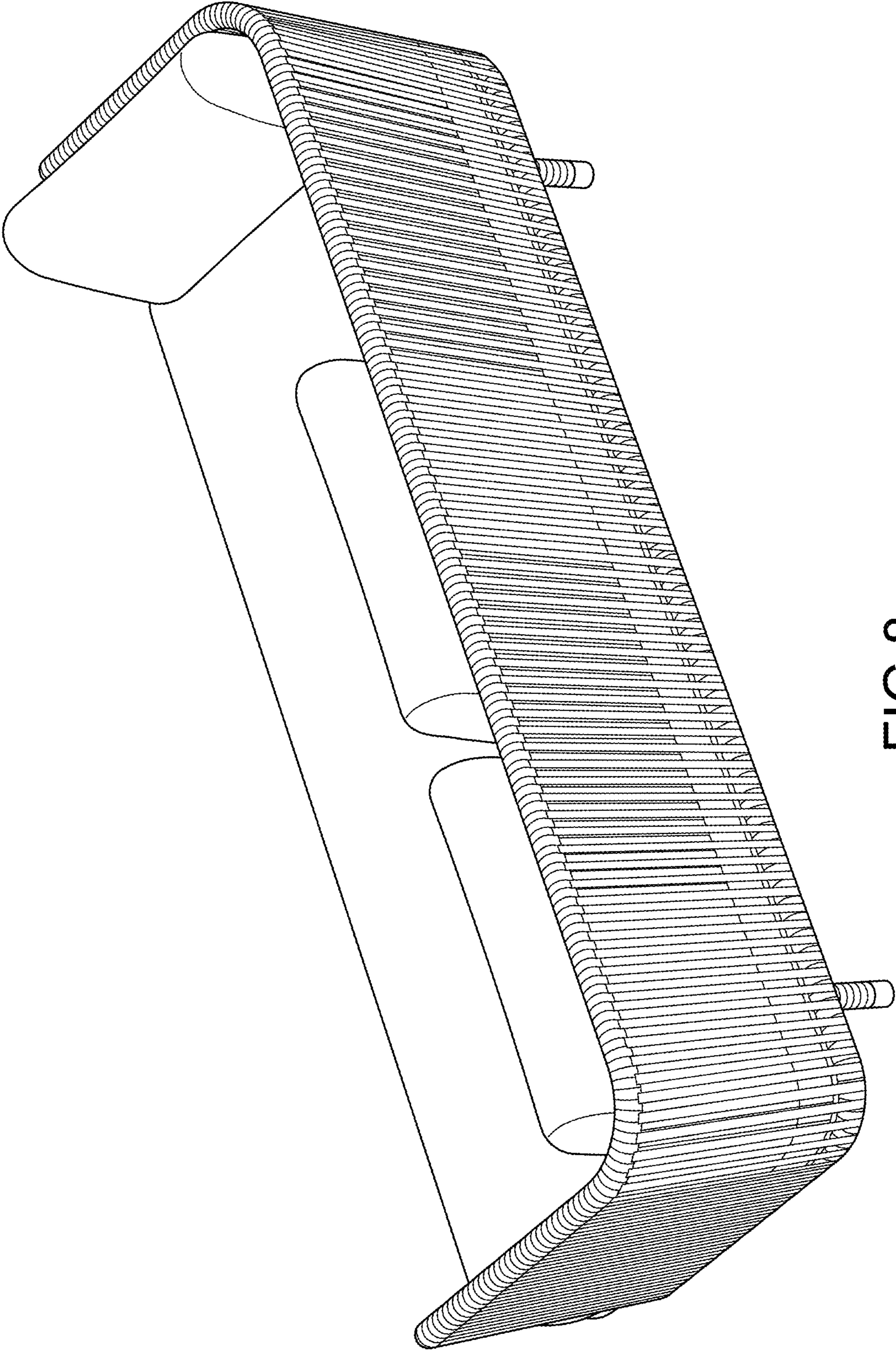


FIG.8

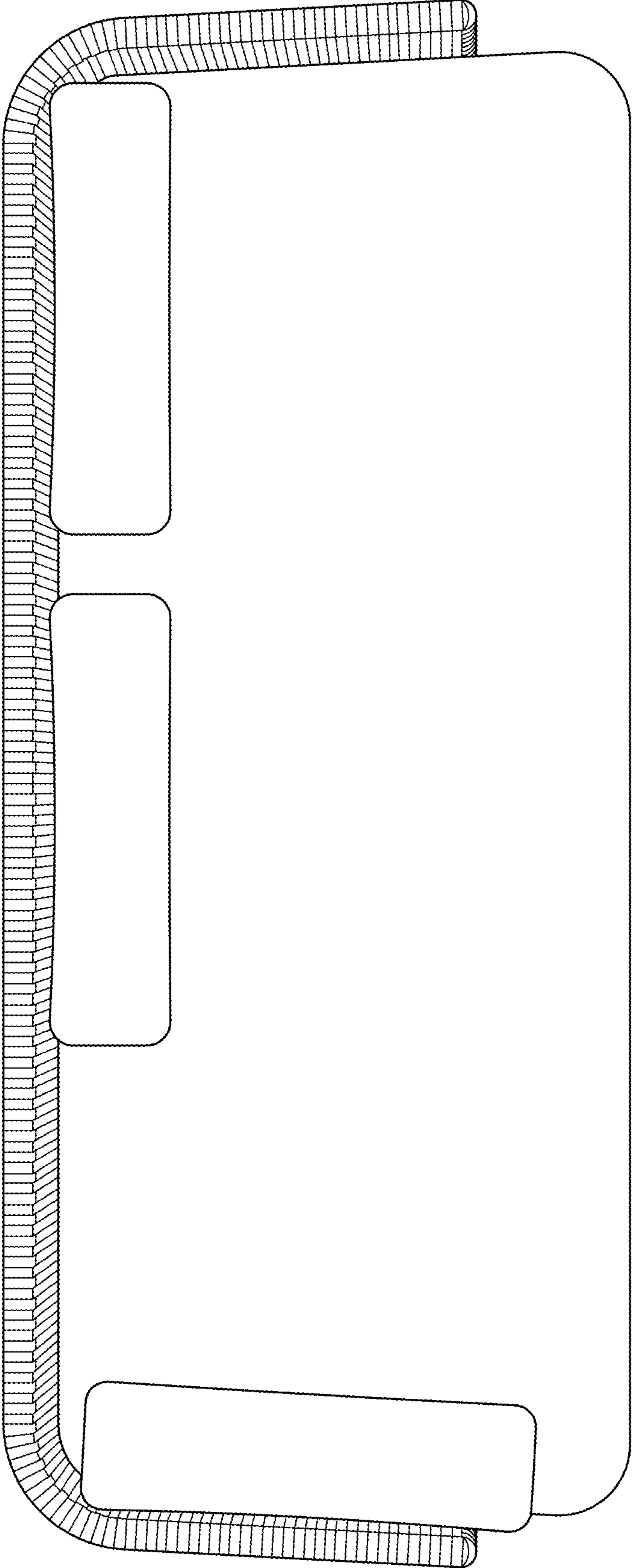


FIG. 9