



US00D914383S

(12) **United States Design Patent**
Foersom et al.

(10) **Patent No.:** **US D914,383 S**
(45) **Date of Patent:** **** Mar. 30, 2021**

- (54) **LOUNGE CHAIR**
- (71) Applicant: **CANE-LINE A/S**, Rynkeby (DK)
- (72) Inventors: **Johannes Foersom**, Copenhagen (DK);
Peter Hiort-Lorenzen, Copenhagen (DK)
- (73) Assignee: **CANE-LINE A/S**, Rynkeby (DK)
- (**) Term: **15 Years**
- (21) Appl. No.: **29/623,146**
- (22) Filed: **Oct. 23, 2017**
- (30) **Foreign Application Priority Data**

| | | | | |
|--------------|---------|--------------|-------|--------|
| D554,872 S * | 11/2007 | Wimberger | | D6/334 |
| D720,149 S * | 12/2014 | Armani | | D6/369 |
| D722,441 S * | 2/2015 | Kirar | | D6/334 |
| D761,582 S * | 7/2016 | Armani | | D6/369 |
| D773,837 S * | 12/2016 | Bougay | | D6/334 |
| D774,794 S * | 12/2016 | Cazzaniga | | D6/369 |
| D829,016 S * | 9/2018 | Segers | | D6/370 |
| D831,370 S * | 10/2018 | Massaud | | D6/381 |
| D844,340 S * | 4/2019 | Zhao | | D6/370 |
| D855,345 S * | 8/2019 | Segers | | D6/370 |
| D863,804 S * | 10/2019 | Foersom | | D6/372 |
| D872,494 S * | 1/2020 | White, III | | D6/369 |
| D872,495 S * | 1/2020 | White, III | | D6/369 |
| D873,578 S * | 1/2020 | Pedersen | | D6/369 |
| D875,413 S * | 2/2020 | Foersom | | D6/369 |
| D875,419 S * | 2/2020 | Glismand | | D6/382 |
| D876,116 S * | 2/2020 | Ji | | D6/374 |
| D878,071 S * | 3/2020 | Giampietro | | D6/376 |
| D888,452 S * | 6/2020 | Koophavonrek | | D6/369 |

(Continued)

May 5, 2017 (EM) 003935527-0002

- (51) **LOC (13) Cl.** **06-01**
- (52) **U.S. Cl.**
USPC **D6/369**
- (58) **Field of Classification Search**
USPC D6/335, 336, 377, 378, 381, 369
CPC A47C 5/02
See application file for complete search history.

Primary Examiner — Deanna L Pratt

(74) *Attorney, Agent, or Firm* — Birch, Stewart, Kolasch & Birch, LLP

(57) **CLAIM**

The ornamental design for a lounge chair, as shown and described.

(56) **References Cited**

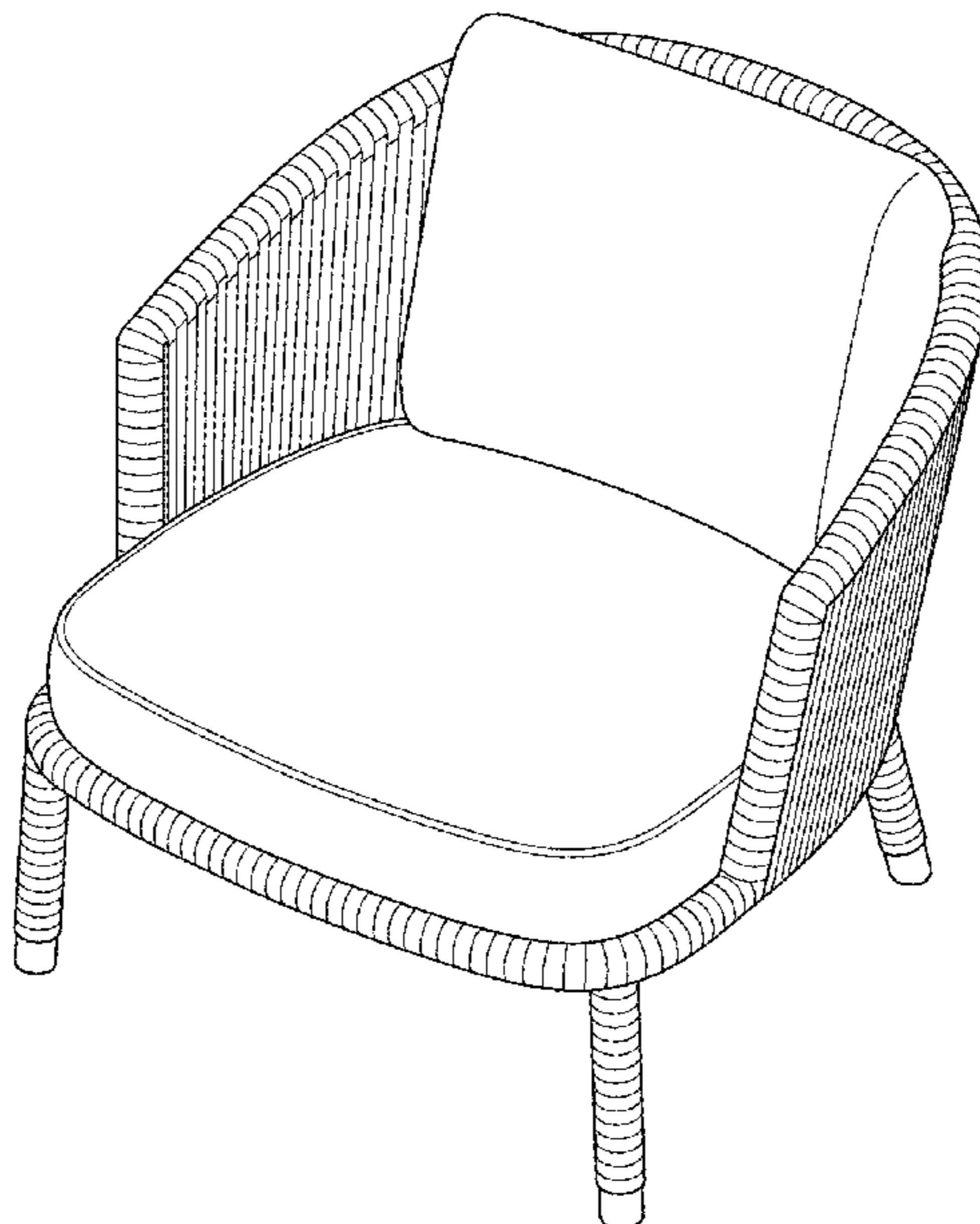
U.S. PATENT DOCUMENTS

| | | | | |
|--------------|---------|-----------|-------|--------|
| D124,032 S * | 12/1940 | Houghton | | D6/369 |
| D151,617 S * | 11/1948 | Feraud | | D6/369 |
| D168,993 S * | 3/1953 | Gould | | D6/369 |
| D250,231 S * | 11/1978 | Wilson | | D6/369 |
| D259,318 S * | 5/1981 | Hanaford | | D6/369 |
| D259,599 S * | 6/1981 | Credicott | | D6/369 |
| D261,833 S * | 11/1981 | Claman | | D6/369 |
| D264,529 S * | 5/1982 | Olko | | D6/369 |
| D266,639 S * | 10/1982 | Thorpe | | D6/369 |
| D268,465 S * | 4/1983 | Bergguist | | D6/369 |
| D439,071 S * | 3/2001 | D'Urso | | D6/377 |
| D493,988 S * | 8/2004 | Lawson | | D6/369 |

DESCRIPTION

FIG. 1 is a front and left side perspective view of a lounge chair showing our new design;
 FIG. 2 is a front and right side perspective view thereof;
 FIG. 3 is a front elevational view thereof;
 FIG. 4 is a rear elevational view thereof;
 FIG. 5 is a front perspective view thereof;
 FIG. 6 is a rear perspective view thereof;
 FIG. 7 is a rear and right side elevational view thereof;
 FIG. 8 is a rear and left side perspective view thereof; and,
 FIG. 9 is a top plan view thereof.

1 Claim, 9 Drawing Sheets



(56)

References Cited

U.S. PATENT DOCUMENTS

D889,876 S * 7/2020 Wahlborg D6/376
D900,498 S * 11/2020 Doshi D6/369
D901,921 S * 11/2020 Bergmann D6/369

* cited by examiner

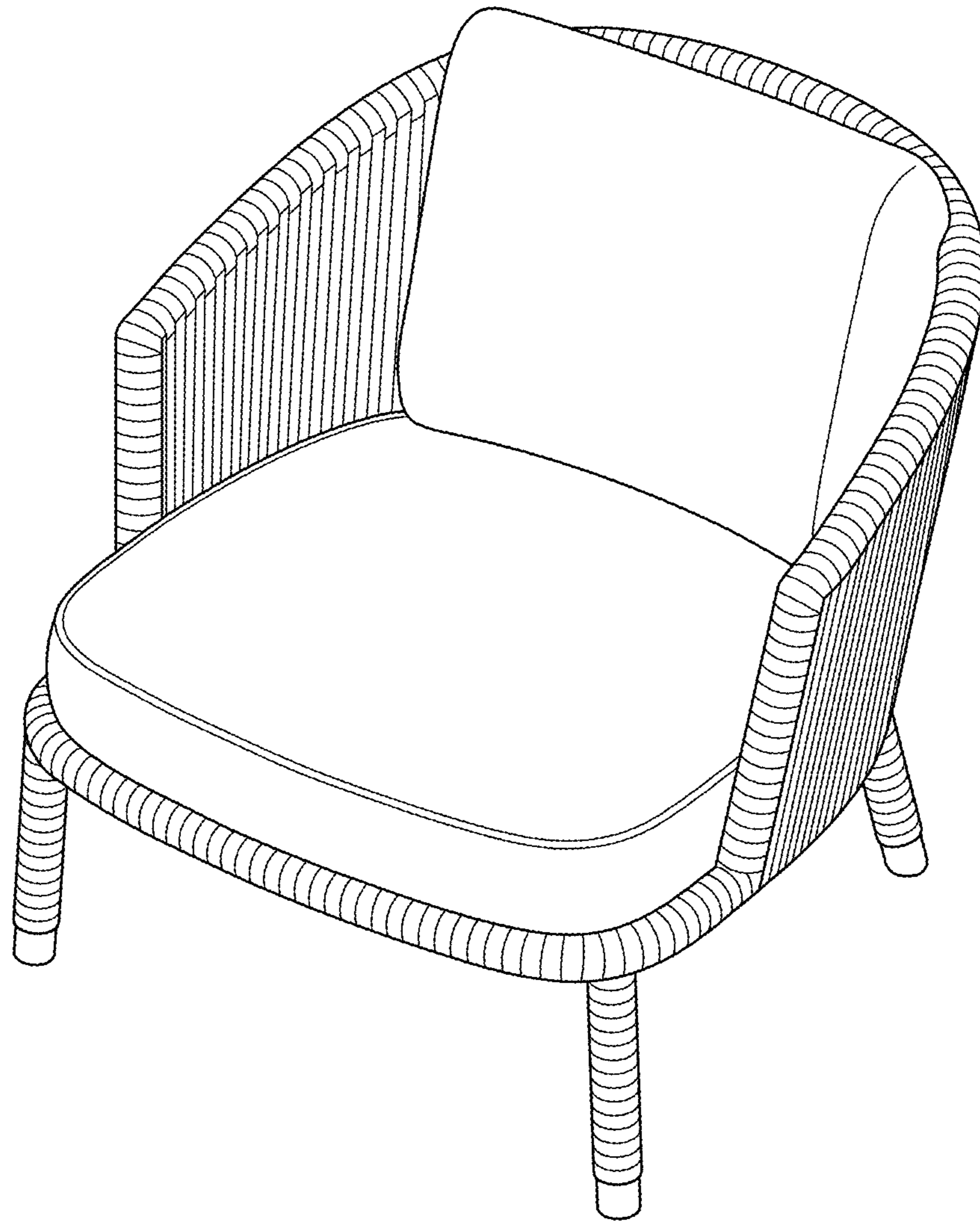


FIG.1

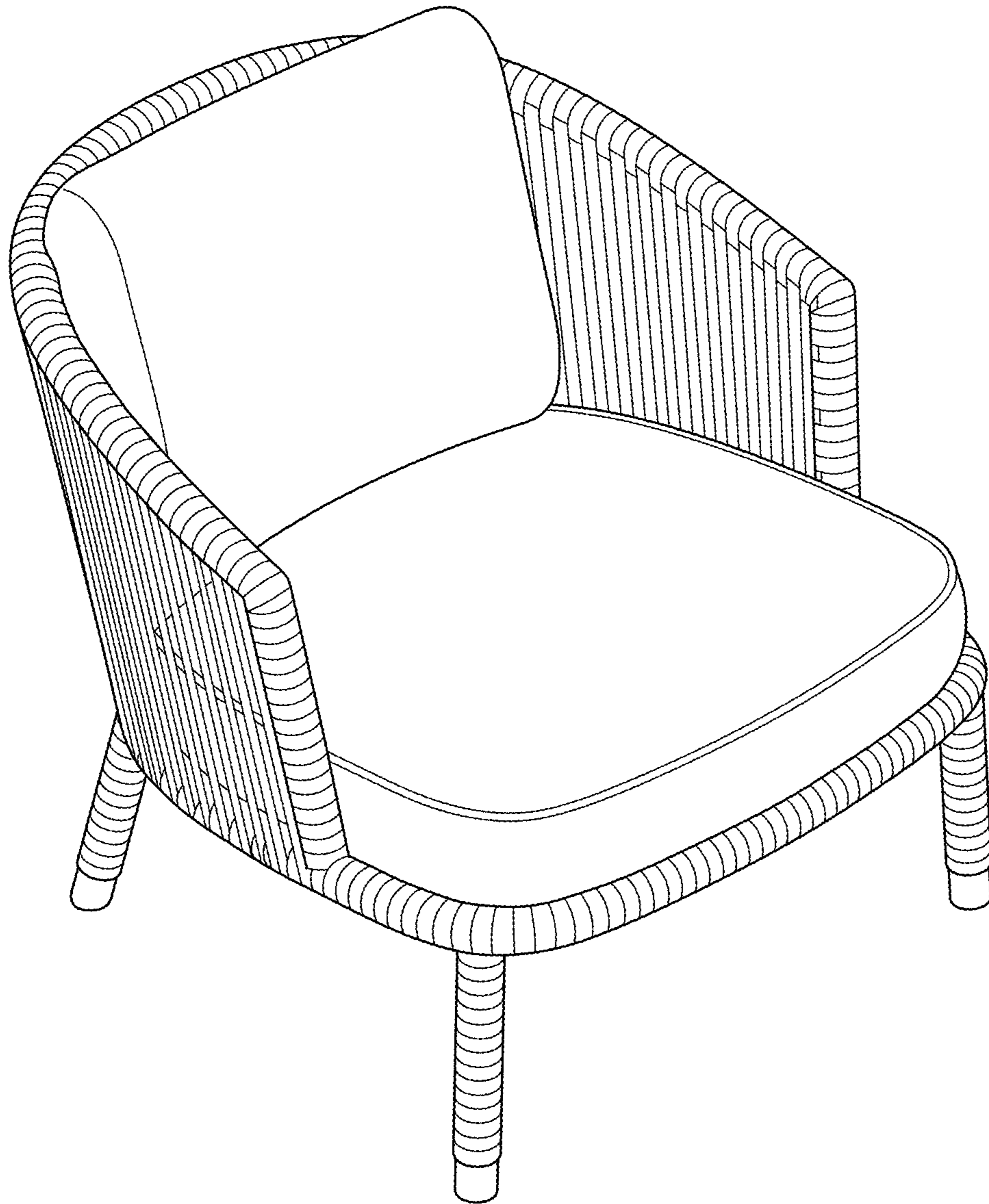


FIG.2

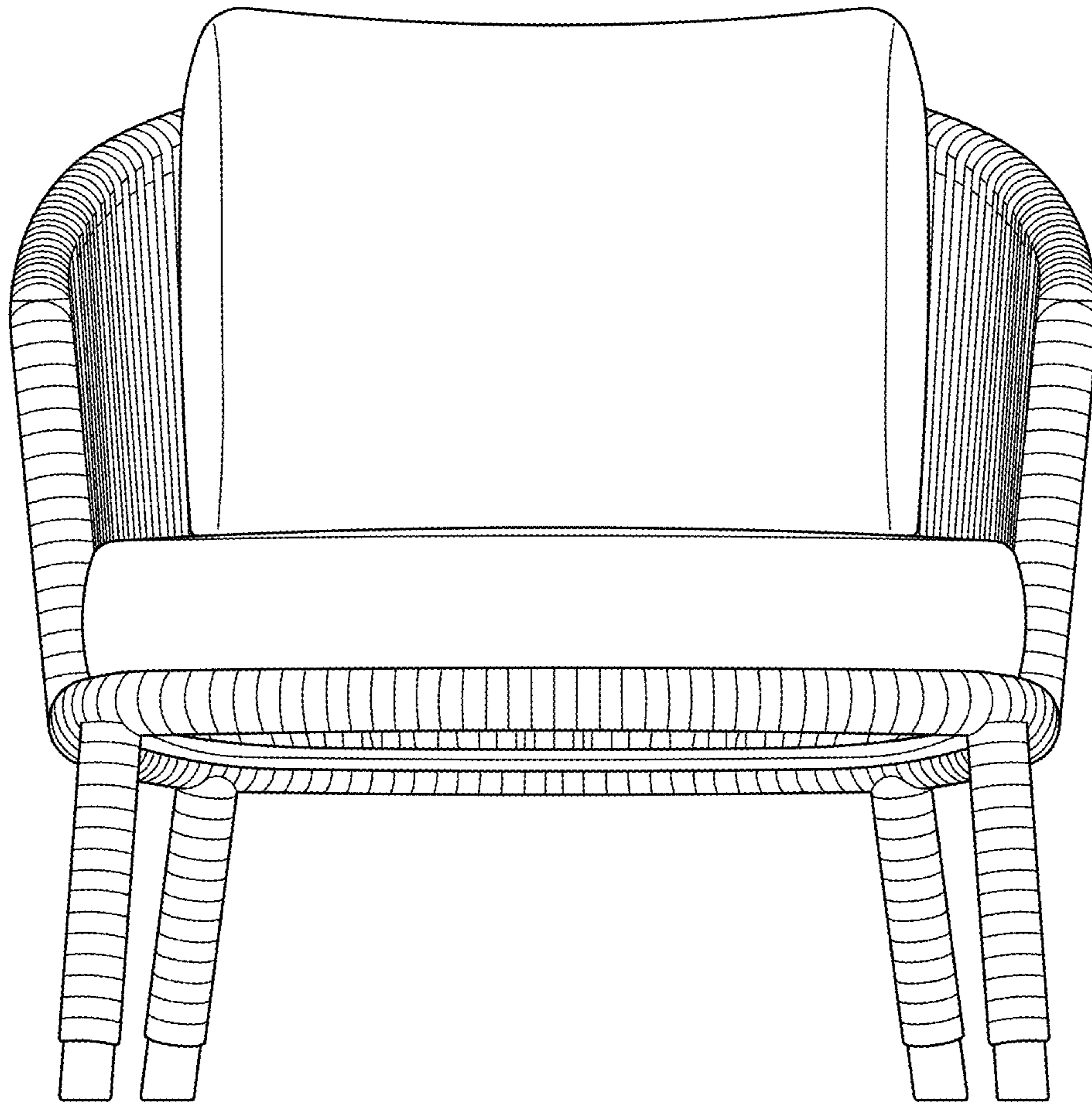


FIG.3

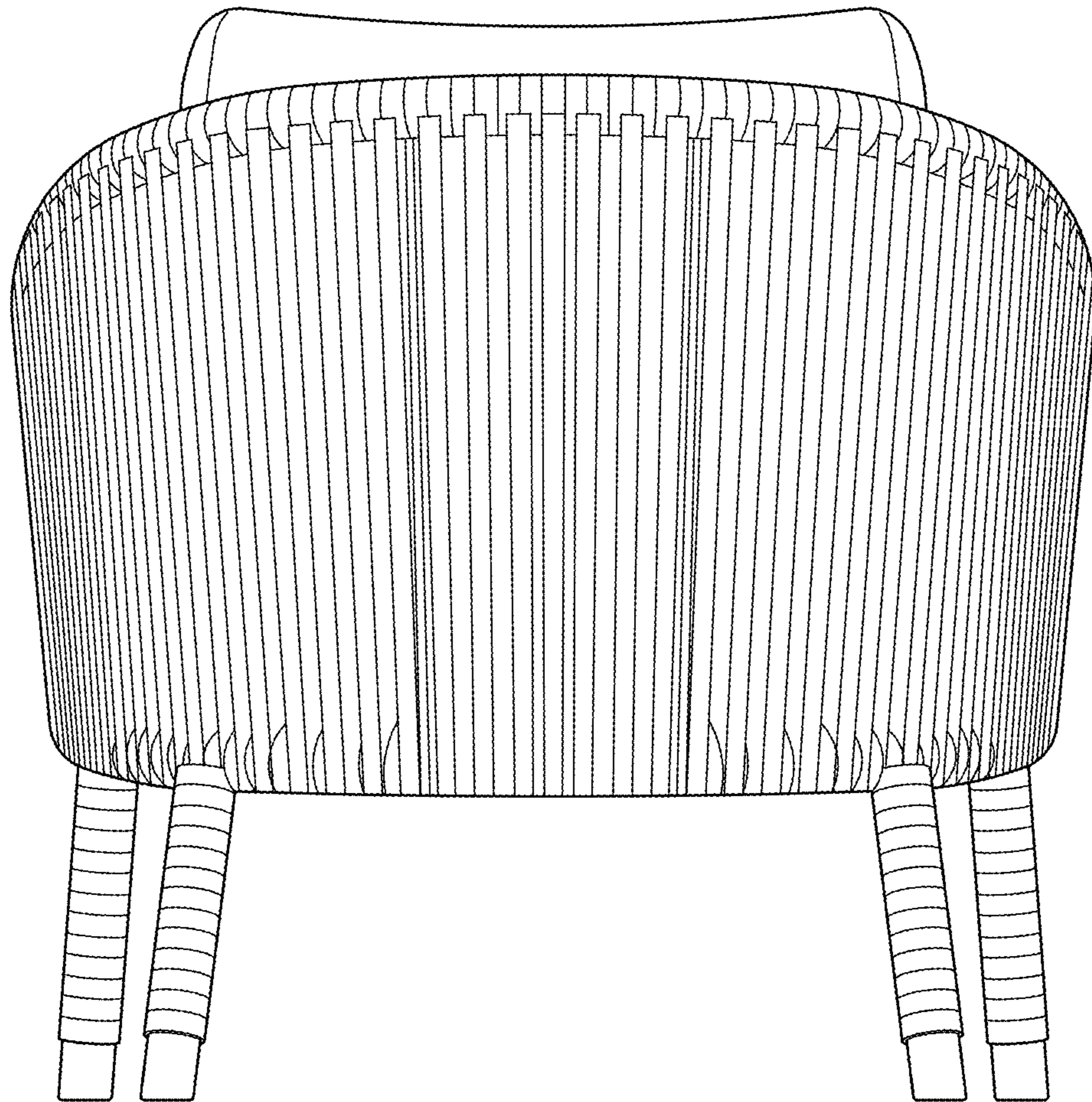


FIG.4

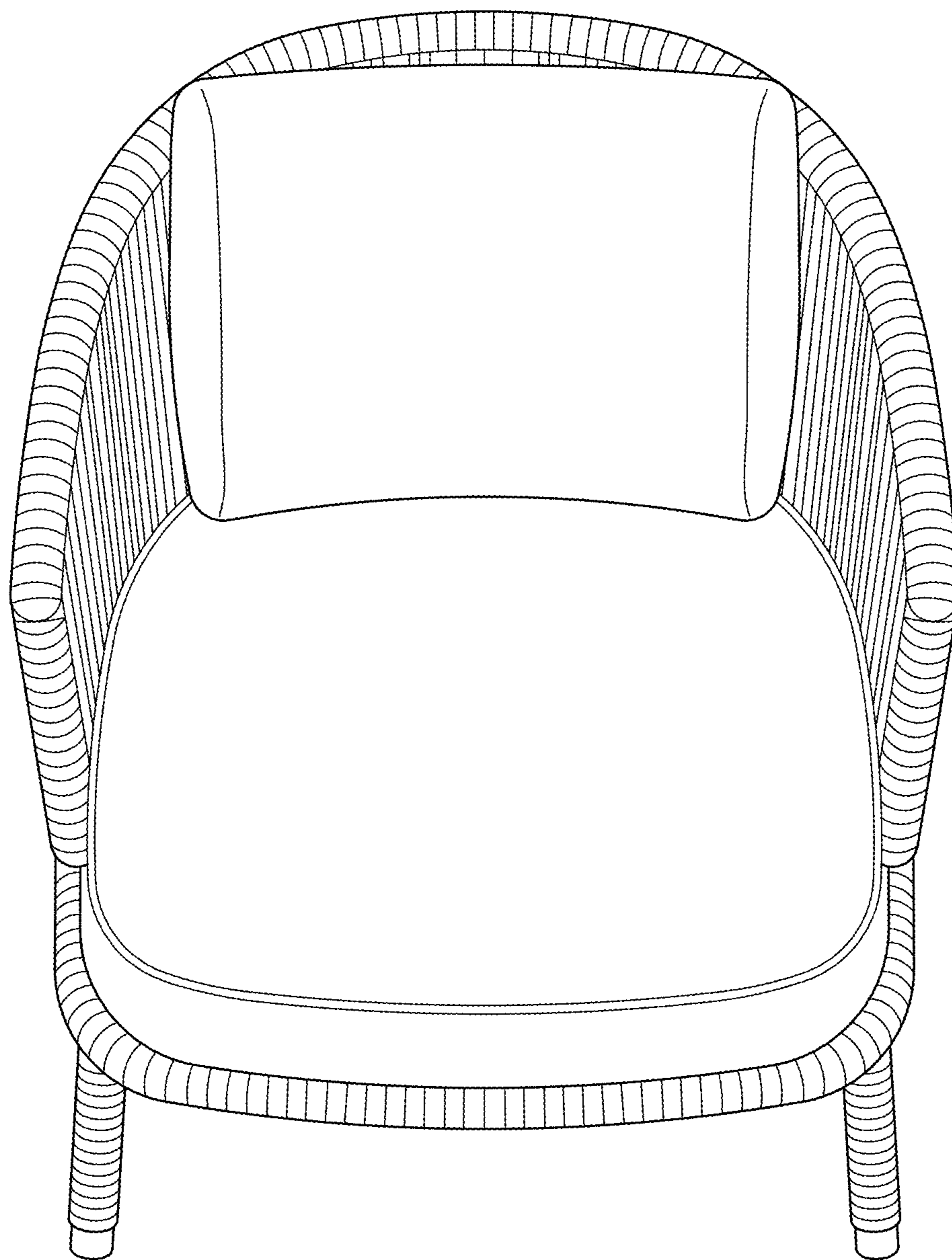


FIG.5

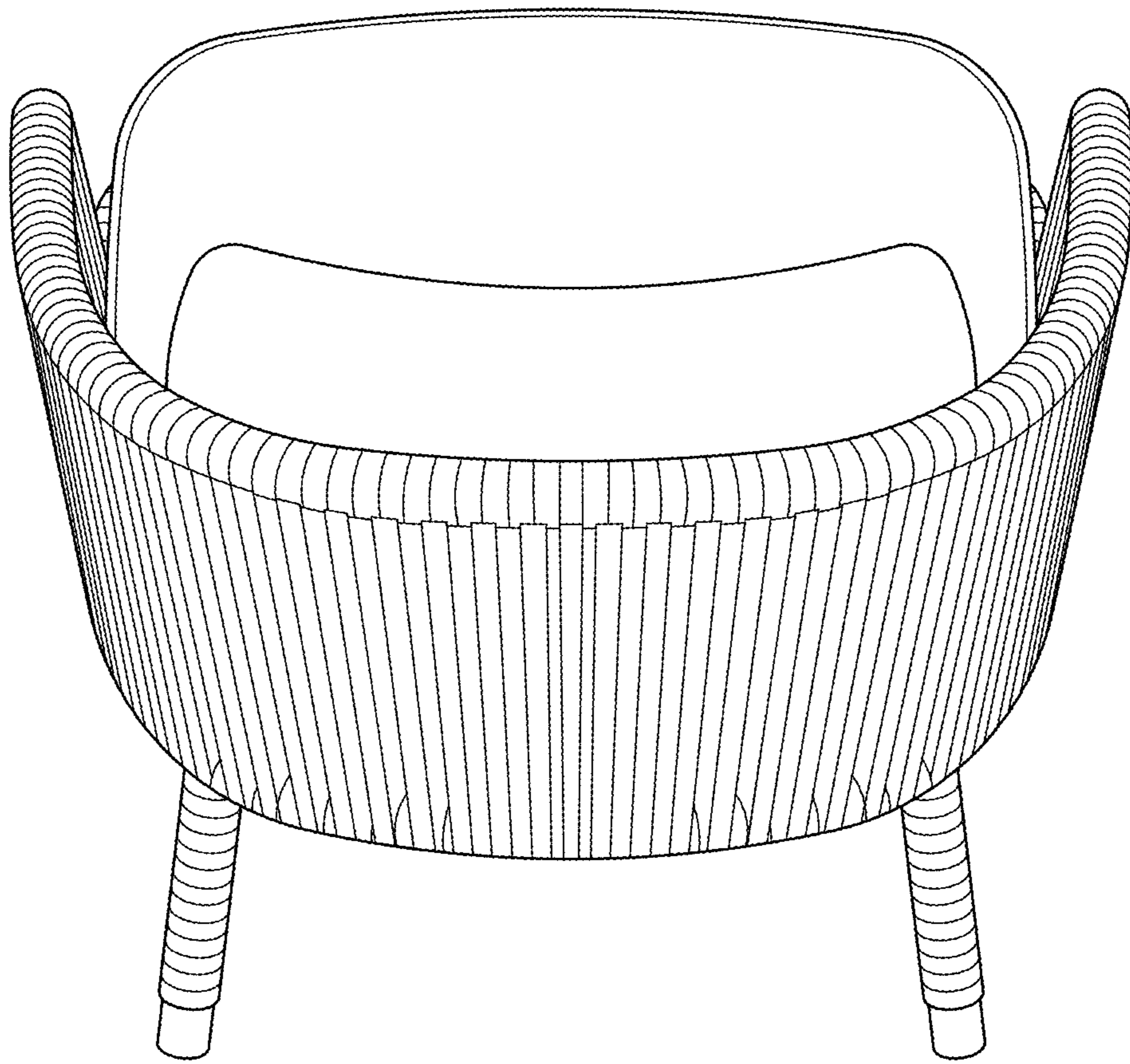


FIG.6

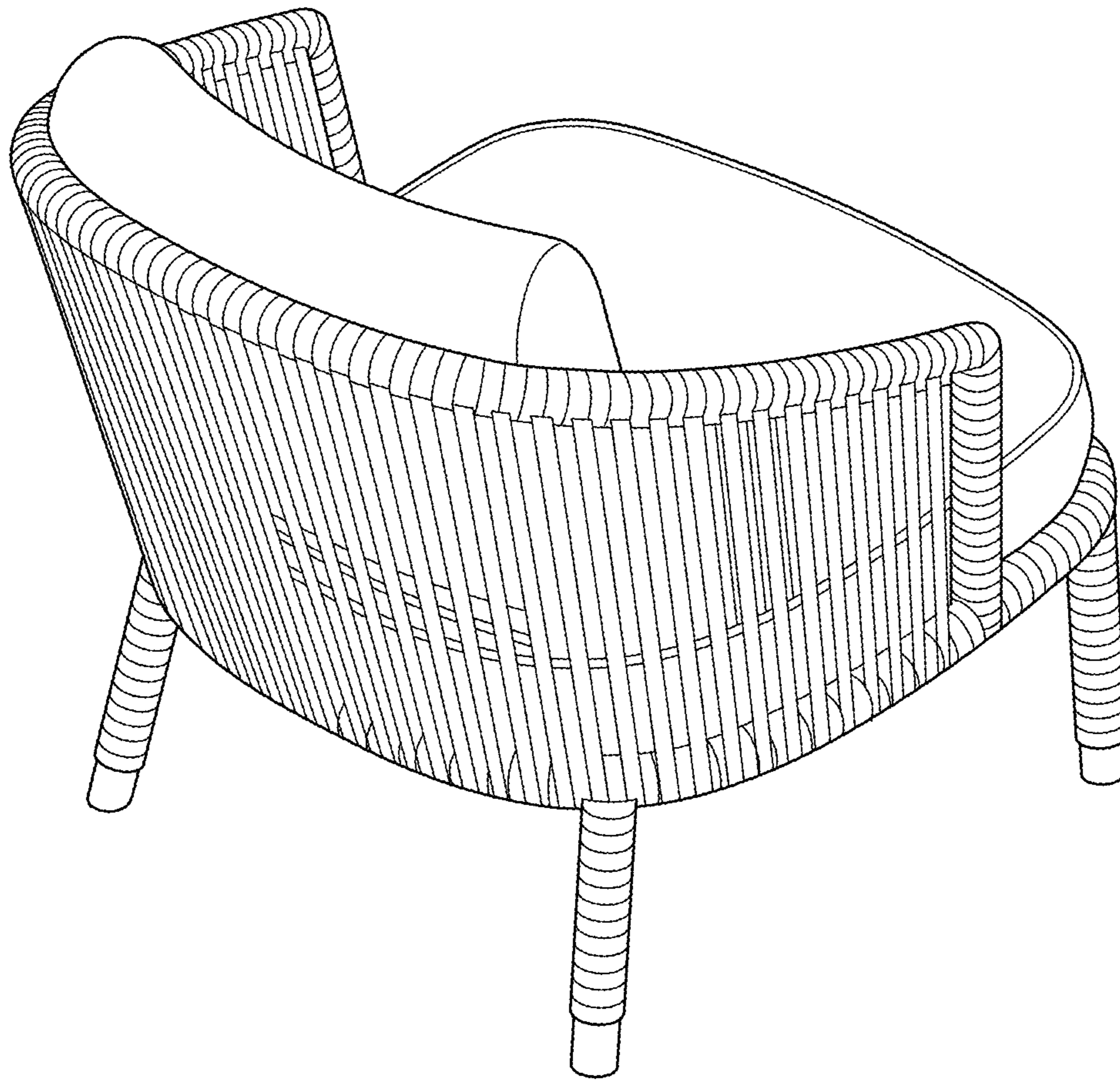


FIG.7

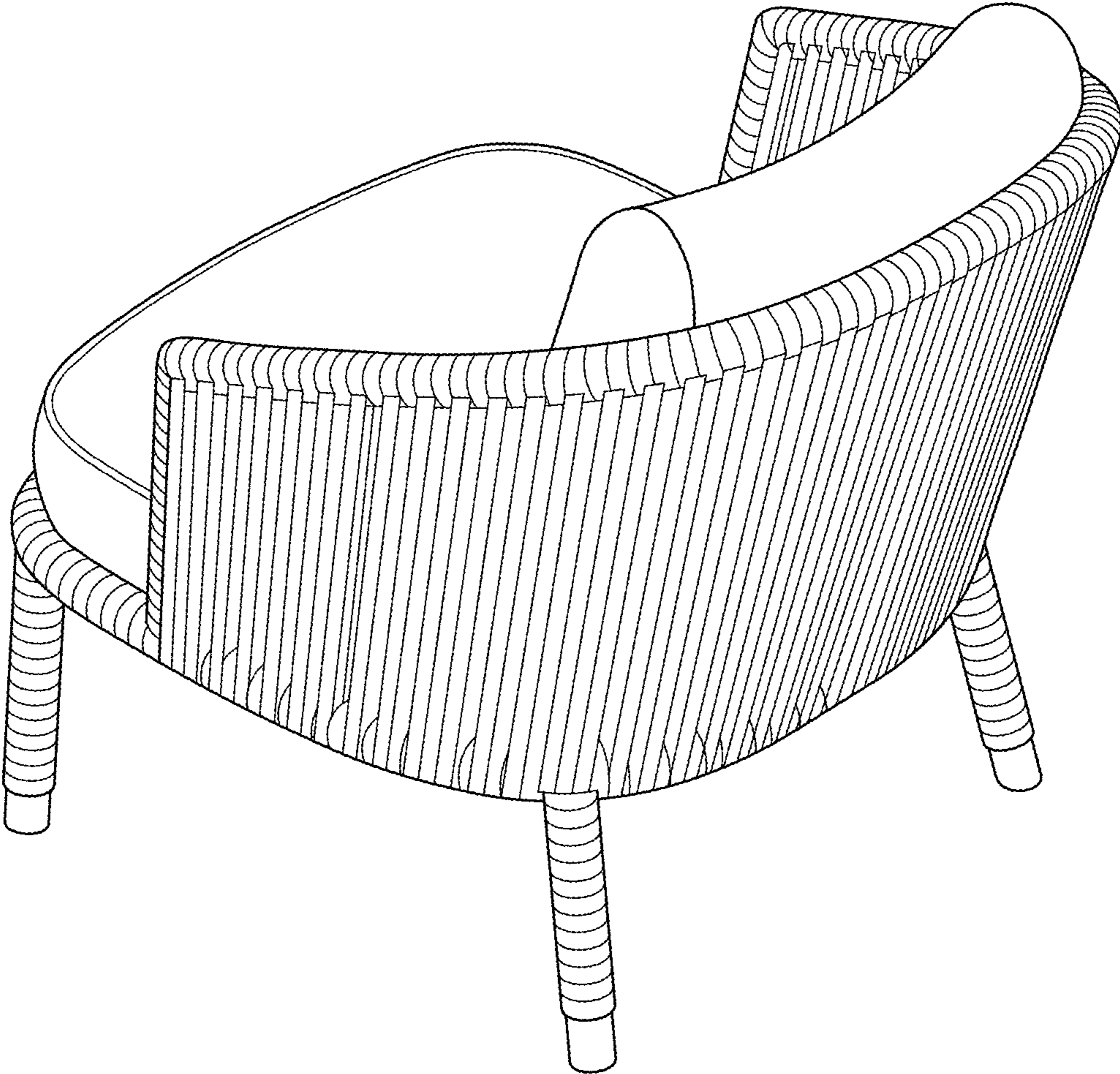


FIG.8

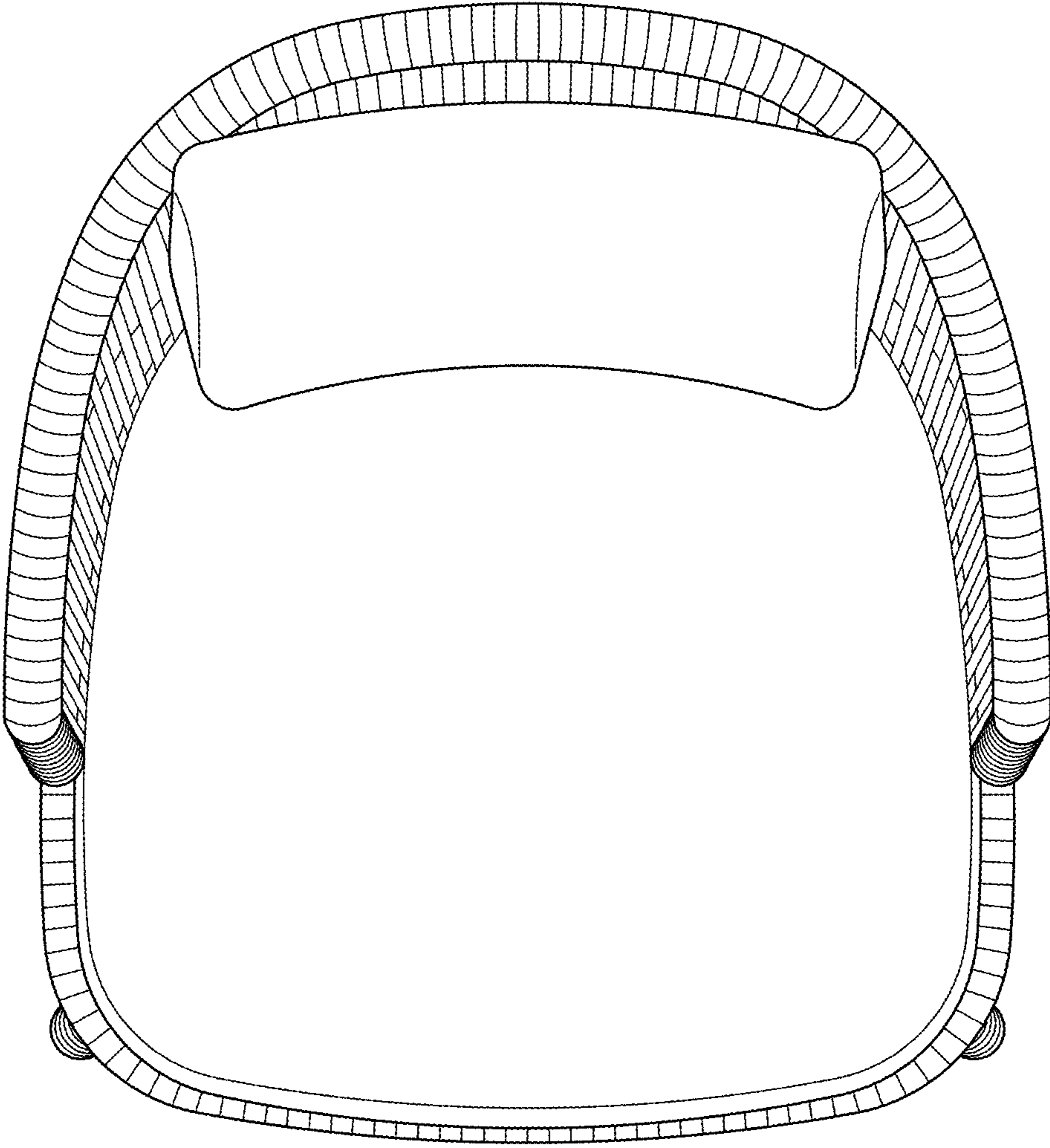


FIG.9