



US00D914381S

(12) **United States Design Patent**
Ballendat

(10) **Patent No.:** **US D914,381 S**
(45) **Date of Patent:** **** Mar. 30, 2021**

- (54) **CHAIR**
- (71) Applicant: **Sunnix Plastic Products Co., LTD,**
Jiangmen (CN)
- (72) Inventor: **Martin Ballendat,** Simbach (DE)
- (73) Assignee: **SUNNIX PLASTIC PRODUCTS CO.,**
LTD, Jiangmen (CN)
- (**) Term: **15 Years**
- (21) Appl. No.: **29/672,673**
- (22) Filed: **Dec. 7, 2018**
- (51) **LOC (13) Cl.** **06-01**
- (52) **U.S. Cl.**
USPC **D6/366**
- (58) **Field of Classification Search**
USPC D6/334-336, 364, 365, 366, 367, 372,
D6/373, 374, 375, 716, 716.1, 716.2,
D6/716.4
CPC A47C 7/004; A47C 7/006; A47C 7/18;
A47C 7/24; A47C 7/38; A47C 7/40;
A47C 7/46; A47C 7/54
See application file for complete search history.

D549,479 S *	8/2007	Su	D6/373
D574,646 S	8/2008	Su		
D586,577 S	2/2009	Koh		
D587,915 S *	3/2009	Igarashi	D6/366
D595,520 S *	7/2009	Su	D6/716.4
D603,196 S	11/2009	Su		
D645,272 S *	9/2011	Lissoni	D6/376
D680,770 S *	4/2013	Hori	D6/376
D683,150 S	5/2013	Smith et al.		
D686,832 S *	7/2013	Hori	D6/376
D688,497 S	8/2013	Smith et al.		
D718,544 S	12/2014	Lu		
D755,533 S	5/2016	Ballendat		
D758,086 S *	6/2016	Hurford	D6/366
D761,050 S	7/2016	Pan		
D761,606 S	7/2016	Piretti		
D798,093 S	9/2017	Pan		
D798,626 S *	10/2017	Cohen	D6/376
D801,096 S	10/2017	Grabowski et al.		
D802,348 S	11/2017	Grabowski et al.		
D826,614 S *	8/2018	Chu	D6/716.4

(Continued)

Primary Examiner — Mimosa De
(74) *Attorney, Agent, or Firm* — Hanrahan Law Firm,
P.A.; Benjamin M. Hanrahan

(57) **CLAIM**

The ornamental design for a chair, as shown and described.

DESCRIPTION

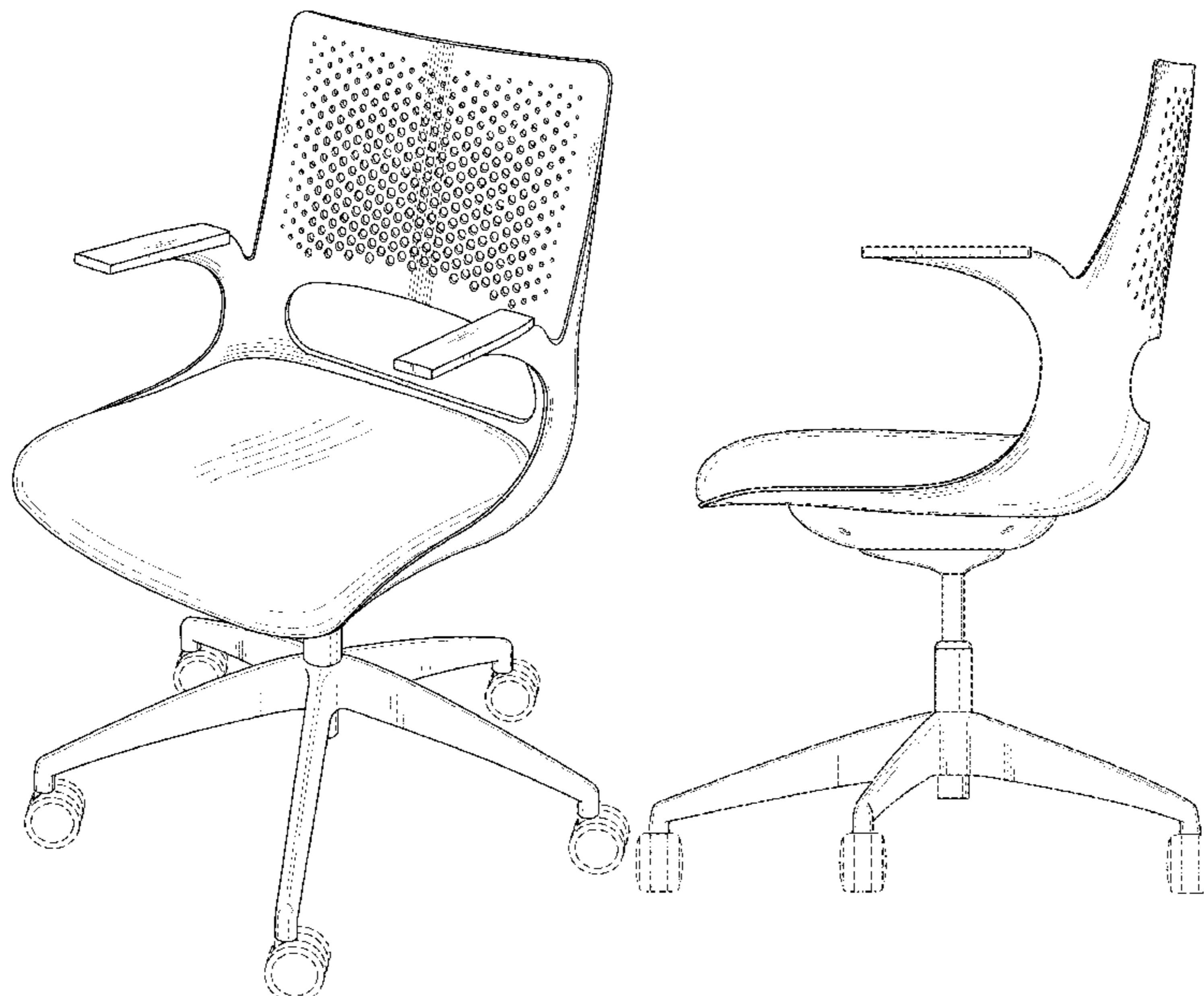
FIG. 1 is a perspective view illustrating my design for a chair.
FIG. 2 is a front view thereof.
FIG. 3 is a right-side view thereof.
FIG. 4 is a rear view thereof.
FIG. 5 is a left-side view thereof.
FIG. 6 is a top view thereof; and,
FIG. 7 is a bottom view thereof.
The broken lines in FIGS. 1 through 7 show portions of the article that form no part of the claimed design.

1 Claim, 7 Drawing Sheets

(56) **References Cited**

U.S. PATENT DOCUMENTS

D422,802 S *	4/2000	Deacon	D6/366
D446,033 S	8/2001	Koepke et al.		
D449,172 S	10/2001	Van De Riet et al.		
D449,938 S	11/2001	Vanderiet et al.		
D456,160 S	4/2002	Van De Riet et al.		
D456,164 S	4/2002	Vanderiet et al.		
D475,210 S *	6/2003	Tsai	D6/366
D479,655 S *	9/2003	Bellini	D6/366
D505,801 S	6/2005	Cesaroni et al.		
D512,238 S	12/2005	Chen		
D541,067 S *	4/2007	Lin	D6/373



(56)

References Cited

U.S. PATENT DOCUMENTS

D842,018 S *	3/2019	Su	D6/716.4
2009/0127914 A1 *	5/2009	Igarashi	A47C 7/40 297/452.46

* cited by examiner

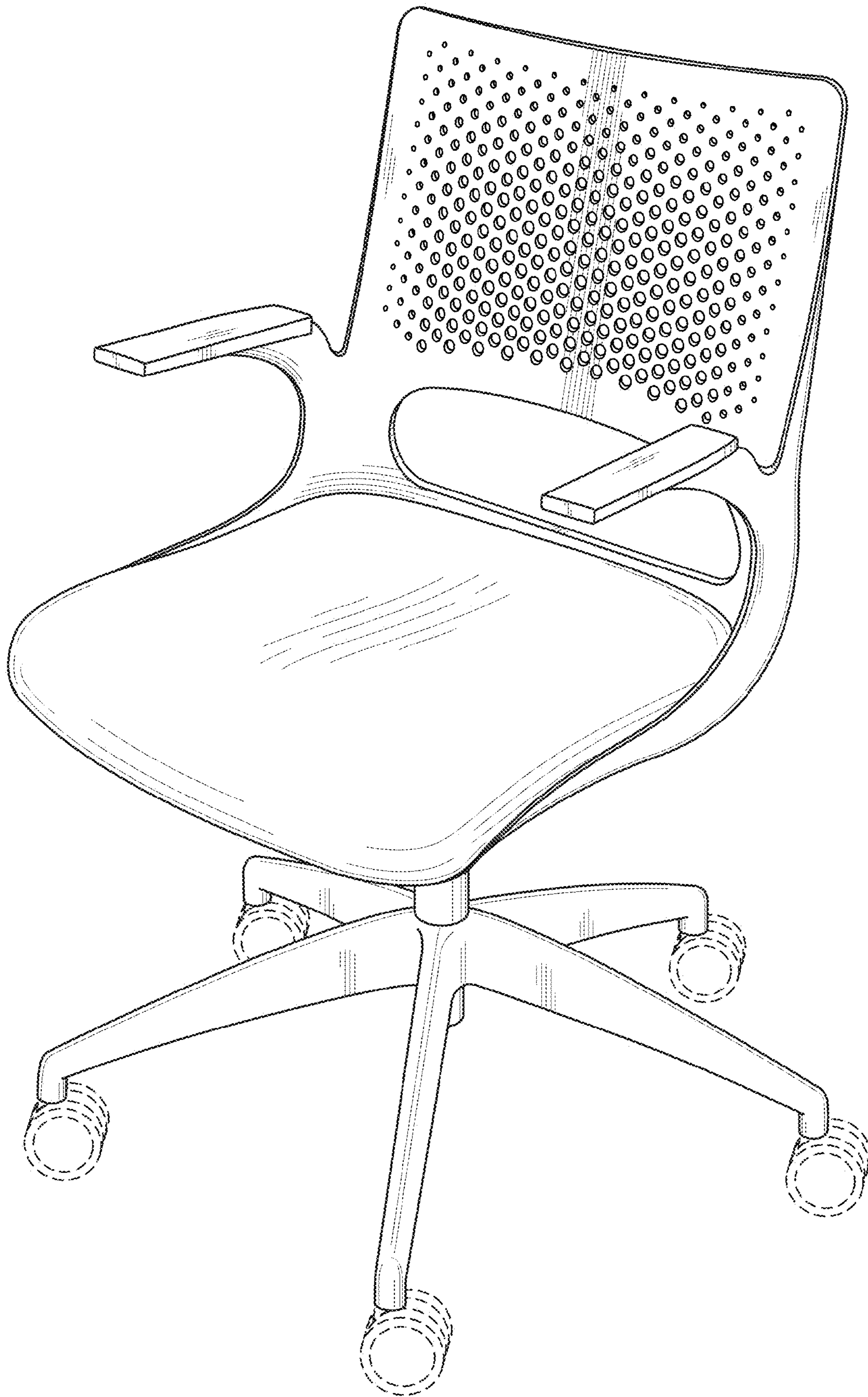


FIG. 1

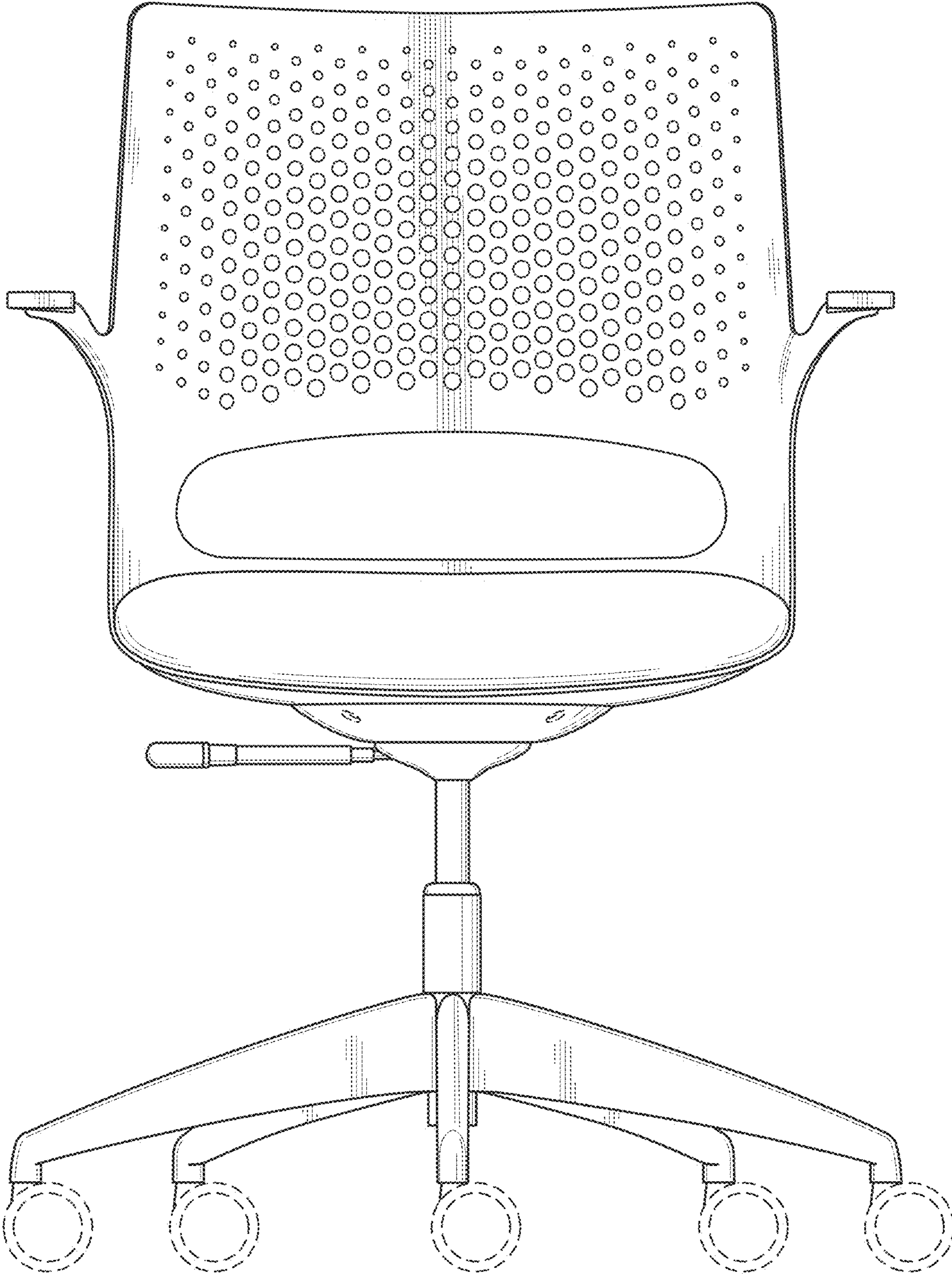


FIG. 2

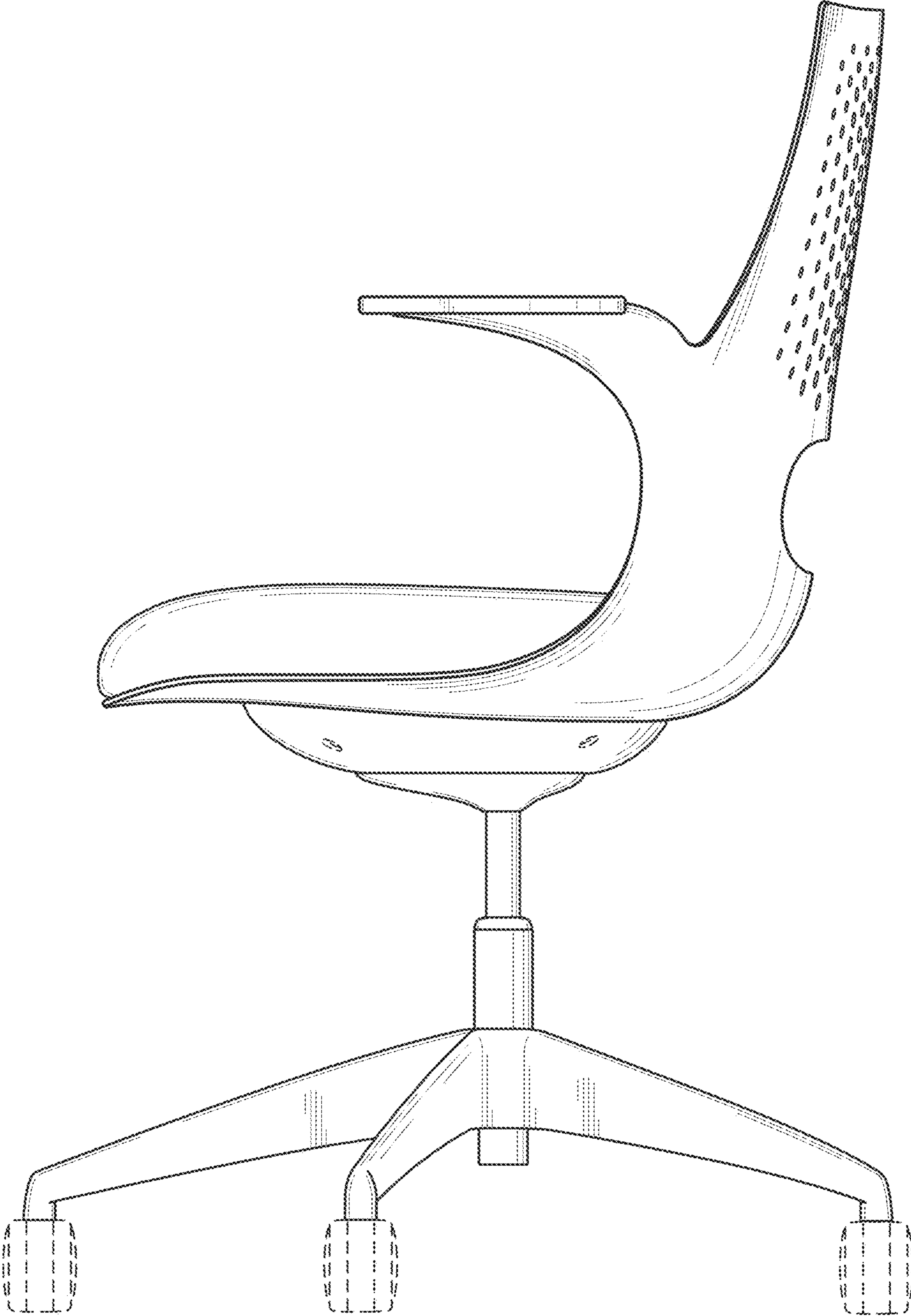


FIG. 3

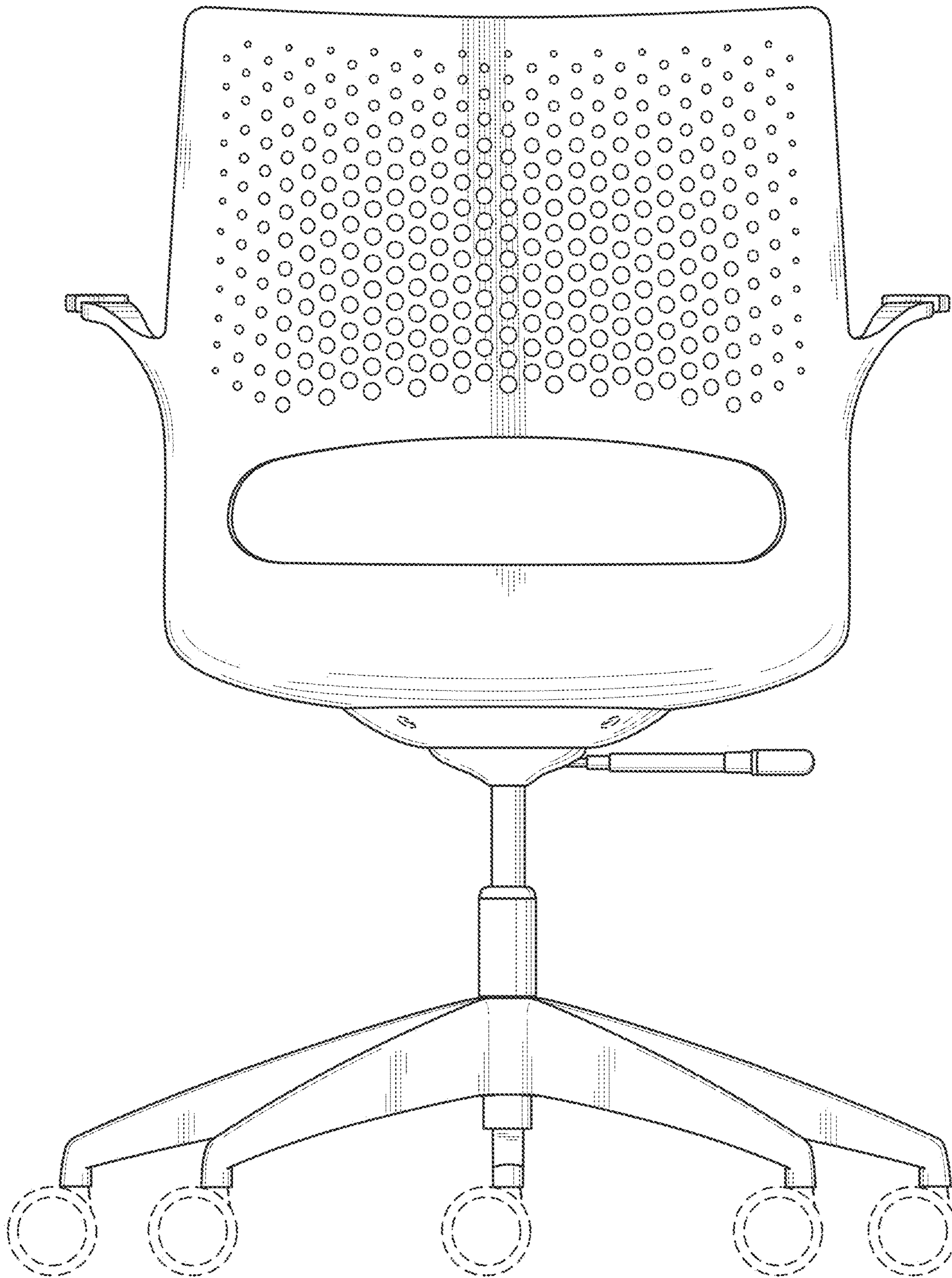


FIG. 4

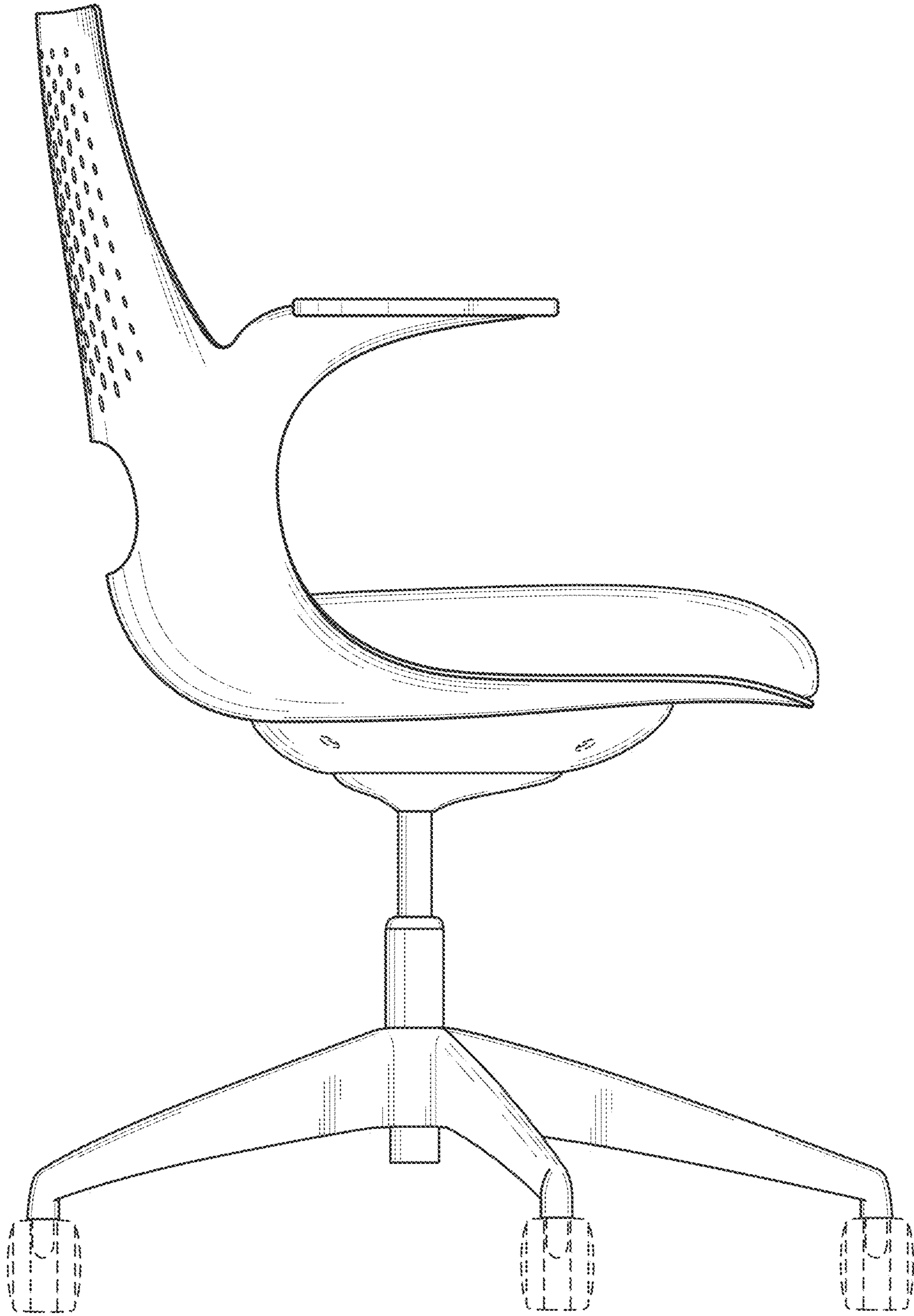


FIG. 5

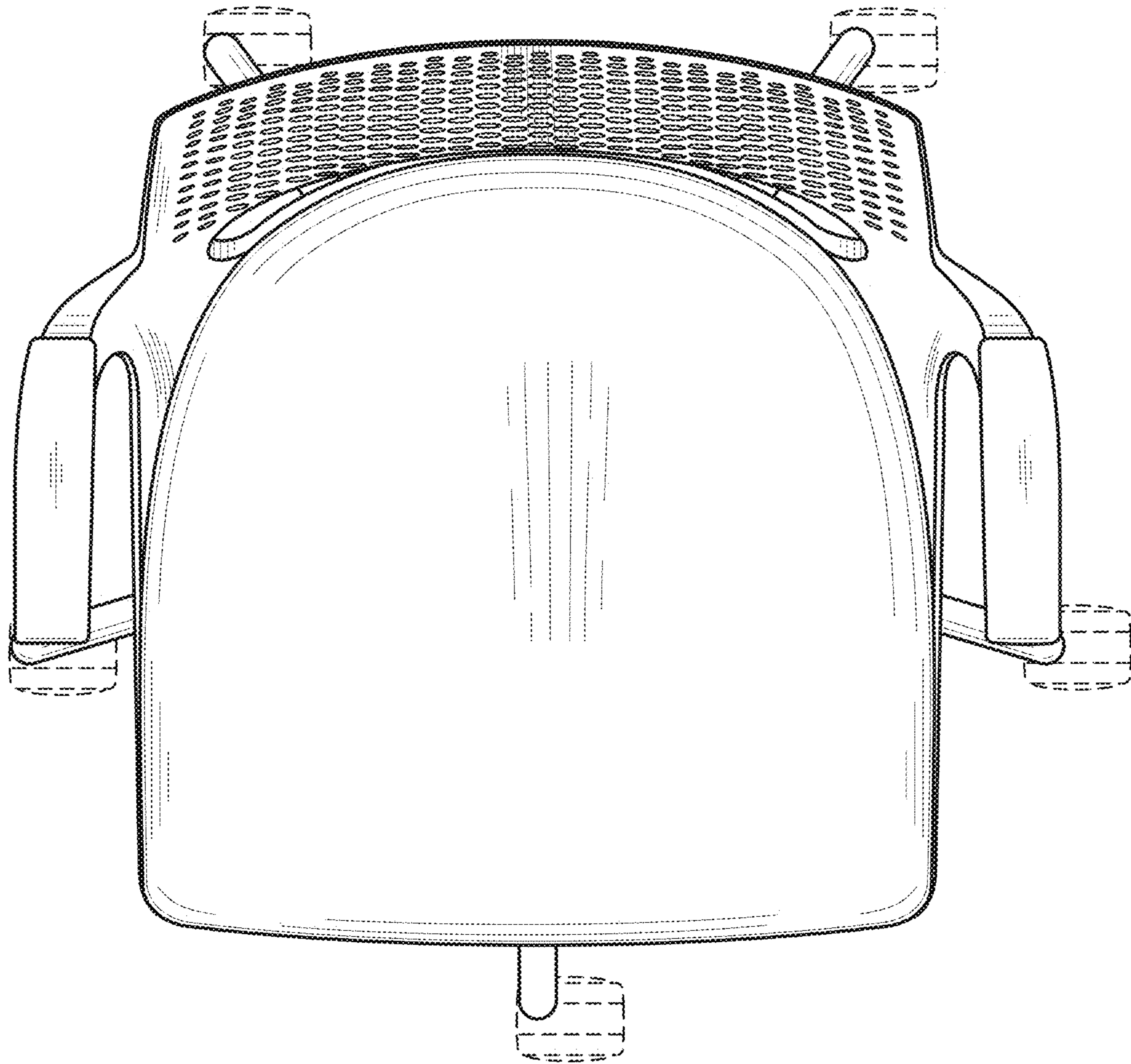


FIG. 6

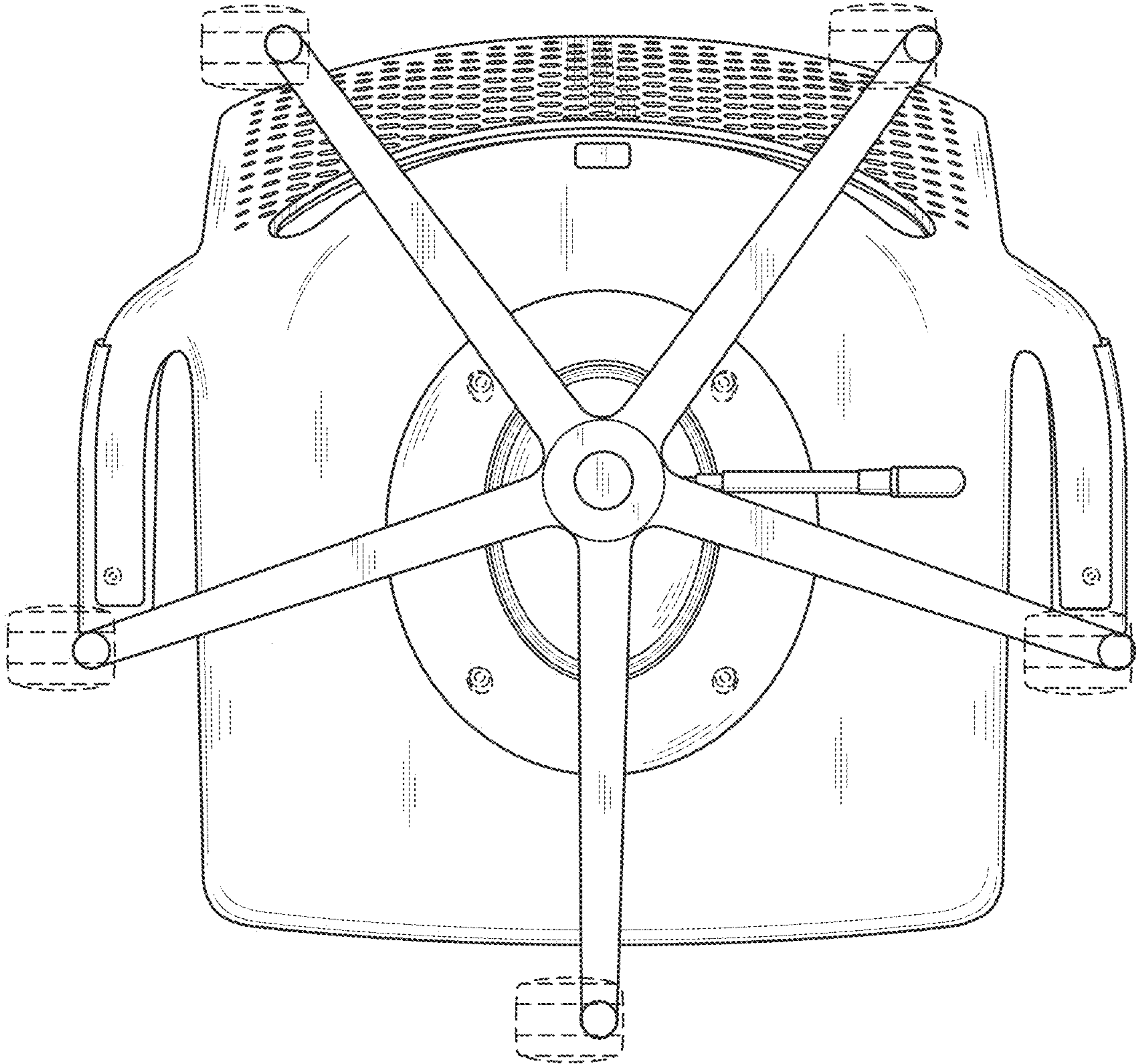


FIG. 7