



US00D914380S

(12) **United States Design Patent** (10) **Patent No.:** **US D914,380 S**  
**Levin et al.** (45) **Date of Patent:** **\*\* Mar. 30, 2021**

(54) **BOAT CHAIR**

(71) Applicants: **Eric Martin Levin**, Severna Park, MD (US); **Rick Dries**, Roseville, MI (US)  
(72) Inventors: **Eric Martin Levin**, Severna Park, MD (US); **Rick Dries**, Roseville, MI (US)

(\*\*) Term: **15 Years**

(21) Appl. No.: **29/691,211**

(22) Filed: **May 14, 2019**

(51) **LOC (13) Cl.** ..... **06-01**

(52) **U.S. Cl.**  
USPC ..... **D6/356**

(58) **Field of Classification Search**

USPC ..... D6/334-336, 356, 364, 368, 374, 375, D6/716, 716.1, 716.4, 716.5  
CPC ..... B60N 2/02; B60N 2/005; B60N 2/015; B60N 2/01508; B60N 2/22; B60N 2/68; B60N 2/99; B60N 2/2222; B60N 2/50; B60N 2/64; B60N 2/643; B60N 2/66; A47C 7/407; A47C 7/16; B63B 29/04  
See application file for complete search history.

(56) **References Cited**

U.S. PATENT DOCUMENTS

D291,508 S \* 8/1987 Herr ..... D6/716  
4,775,187 A \* 10/1988 Herr ..... B63B 29/04  
297/344.22  
4,926,783 A 5/1990 Lathers  
5,549,072 A \* 8/1996 Maloney ..... B63B 29/04  
114/363  
5,658,047 A \* 8/1997 Ratza ..... B63B 29/04  
297/125  
5,697,318 A 12/1997 Kobayashi  
6,283,059 B1 9/2001 Scully, Jr.  
6,527,341 B1 3/2003 Martin  
6,880,482 B2 4/2005 Huse  
7,066,548 B2 6/2006 Butler  
7,107,927 B2 9/2006 Hopper

(Continued)

OTHER PUBLICATIONS

Attwood 98395GY Low-Back Padded Boat Seat. Date first Available on Amazon.com Mar. 21, 2014. [https://www.amazon.com/attwood-98395GY-Boat-Seat-Gray/dp/B00J3UIZNW/ref=sr\\_1\\_24?crid=M KAEVWCKCA55&dchild=1&keywords=boat+seat&qid=1609871667&sprefix=boat+seat%20Caps%20C174&sr=8-24](https://www.amazon.com/attwood-98395GY-Boat-Seat-Gray/dp/B00J3UIZNW/ref=sr_1_24?crid=M%20KAEVWCKCA55&dchild=1&keywords=boat+seat&qid=1609871667&sprefix=boat+seat%20Caps%20C174&sr=8-24) (Year: 2014).\*

Primary Examiner — Mimosa De

(74) Attorney, Agent, or Firm — Garcia-Zamor Intellectual Property Law, LLC; Ruy Garcia-Zamor

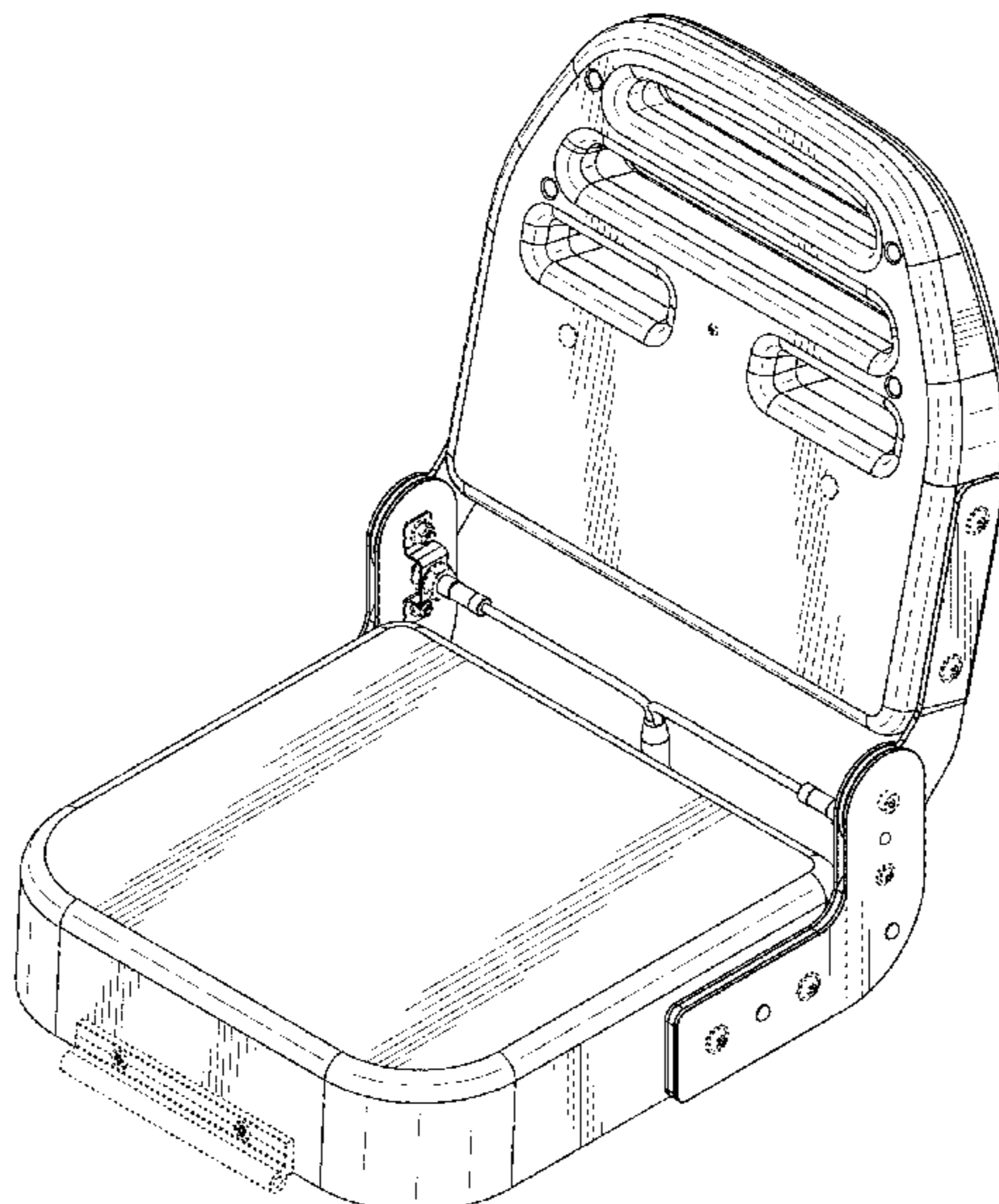
(57) **CLAIM**

We claim a new ornamental design for a boat chair, as shown and described.

**DESCRIPTION**

FIG. 1 is a top front perspective view of a boat chair according to the present invention;  
FIG. 2 is a front side elevational view of the boat chair of FIG. 1;  
FIG. 3 is a rear side elevational view of the boat chair of FIG. 1;  
FIG. 4 is a left side elevational view of the boat chair of FIG. 1;  
FIG. 5 is a right side elevational of the boat chair of FIG. 1;  
FIG. 6 is a top plan view of the boat chair of FIG. 1;  
FIG. 7 is a bottom plan view of the boat chair of FIG. 1;  
FIG. 8 is a rear left bottom perspective view of the boat chair of FIG. 1;  
FIG. 9 is rear right top perspective view of the boat chair of FIG. 1; and,  
FIG. 10 is a front right bottom perspective view of the boat chair of FIG. 1.  
The broken lines in FIGS. 1-10 represent environment and are for illustrative purposes only and do not constitute part of the claimed design.

**1 Claim, 10 Drawing Sheets**



(56)

**References Cited**

U.S. PATENT DOCUMENTS

7,137,351	B2	11/2006	Picou	
7,367,616	B2	5/2008	Summerford	
D608,550	S *	1/2010	Sollberger .....	D6/335
D727,046	S *	4/2015	Alexander .....	D6/356
9,021,975	B1	5/2015	Fodor	
D740,579	S *	10/2015	Begin .....	D6/356
D848,168	S *	5/2019	Levin .....	D6/356
D854,842	S *	7/2019	Levin .....	D6/356
10,556,645	B1 *	2/2020	Levin .....	B63B 29/04
D878,781	S *	3/2020	Monroe .....	D6/356
2010/0037814	A1	2/2010	Sahr	
2015/0274263	A1	10/2015	Nutz	

\* cited by examiner

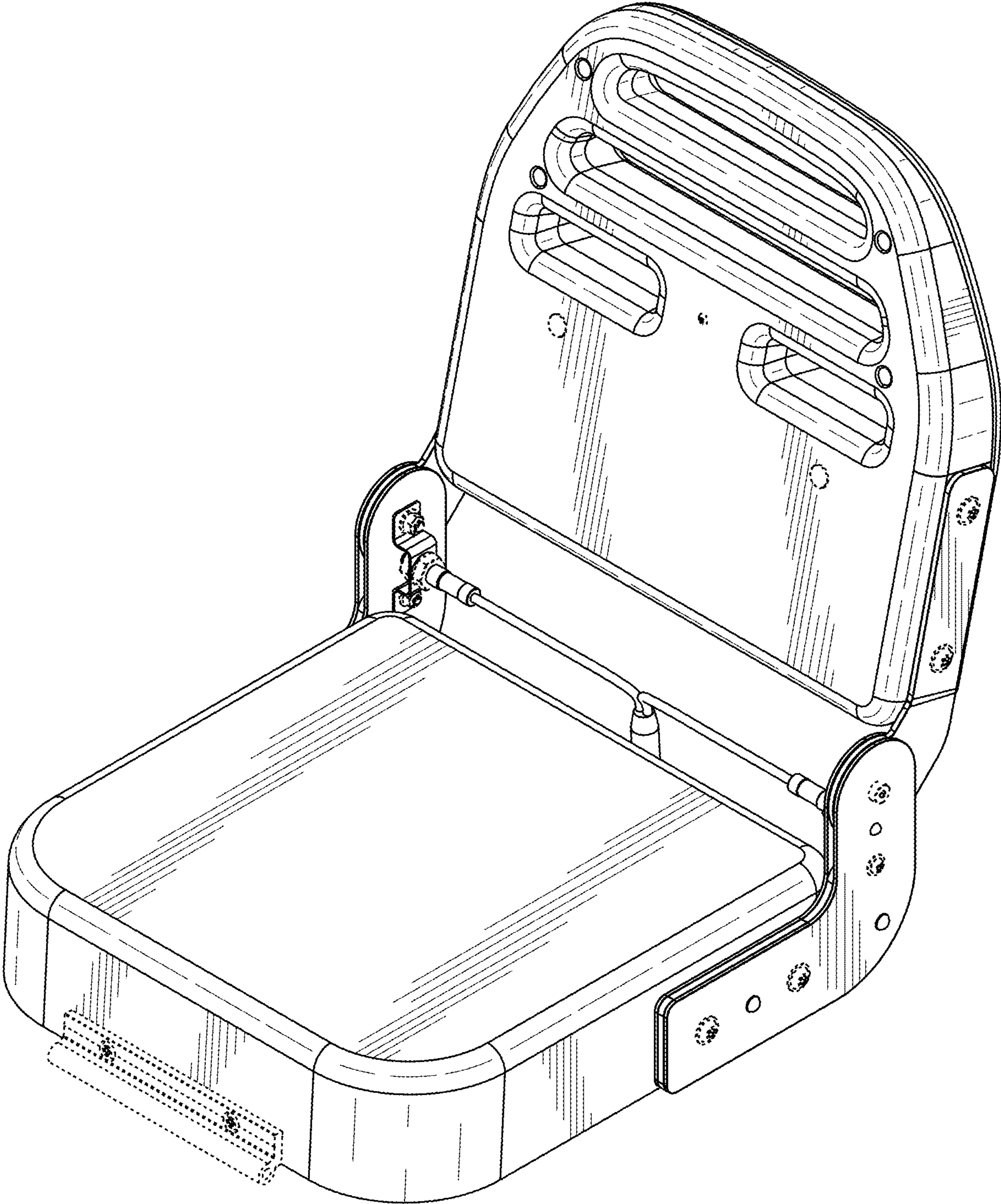


FIG. 1

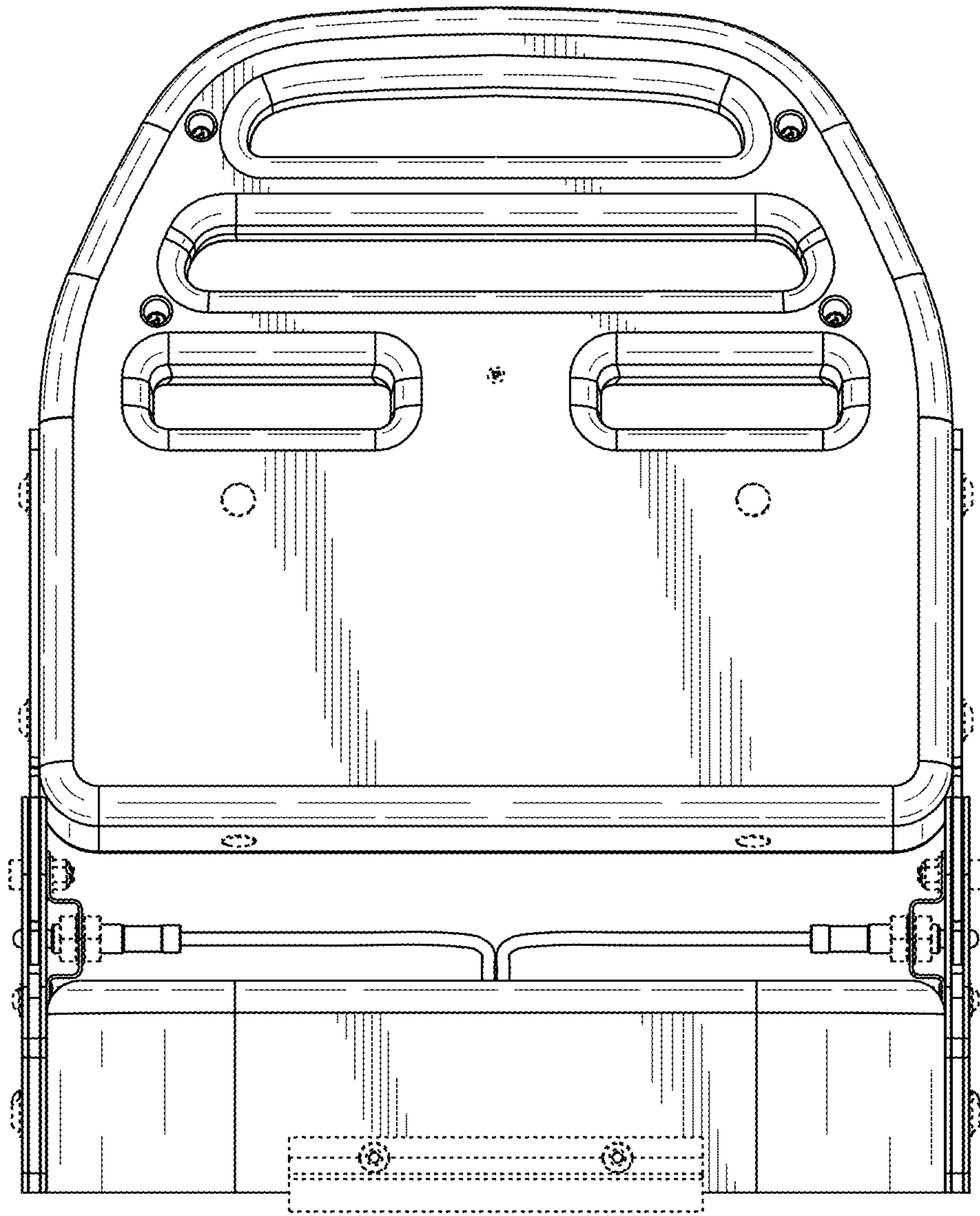


FIG. 2

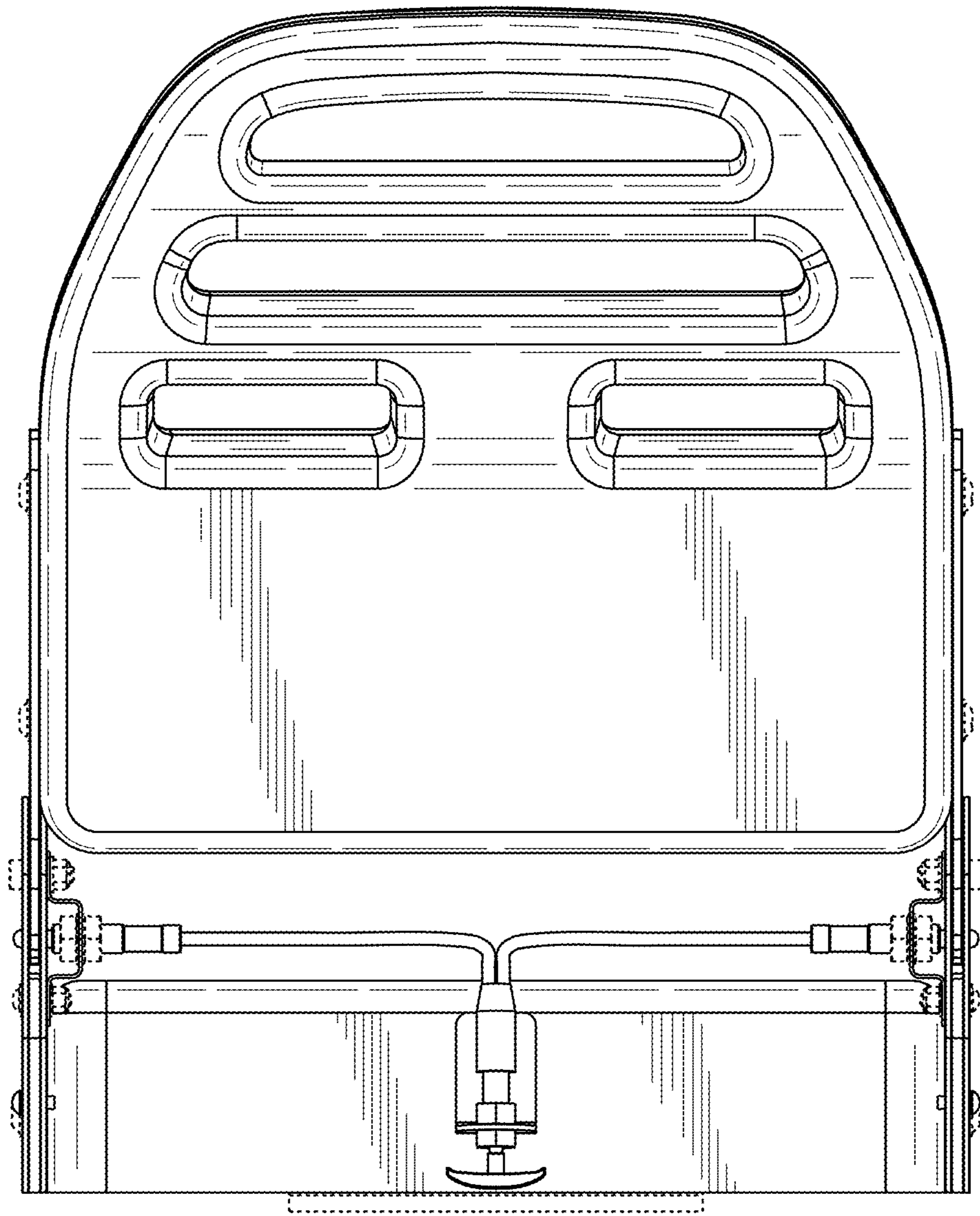


FIG. 3

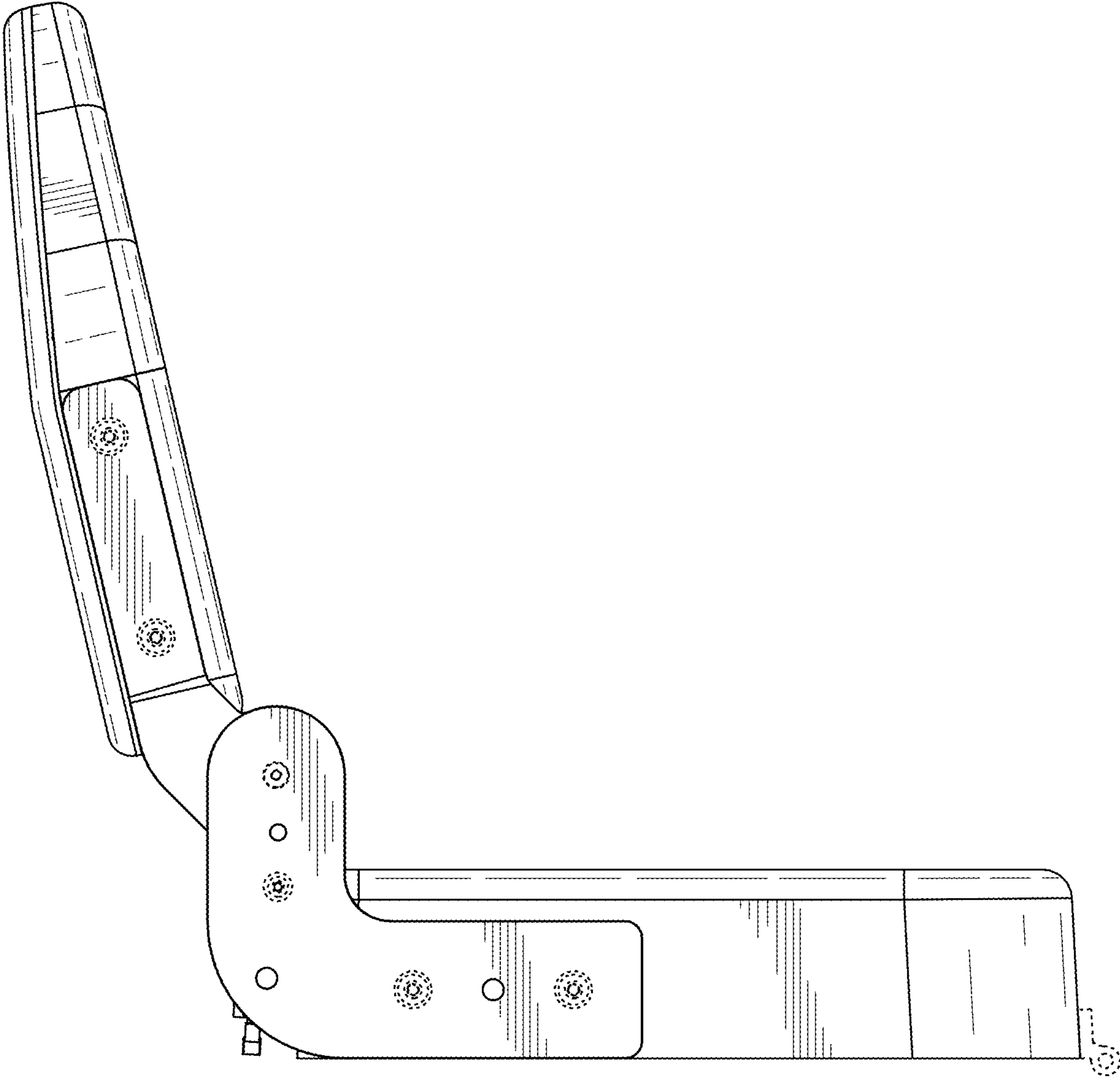


FIG. 4

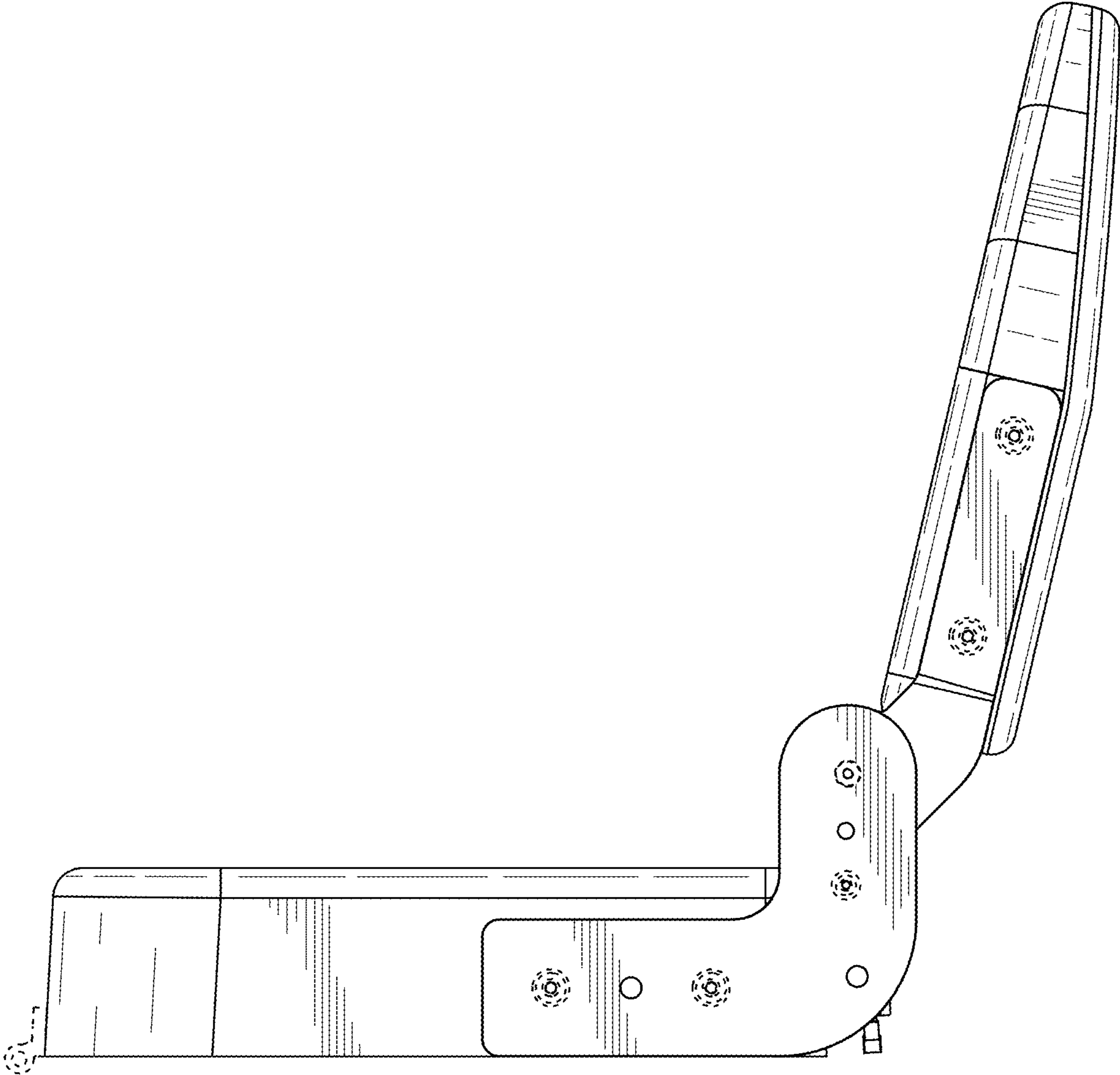


FIG. 5

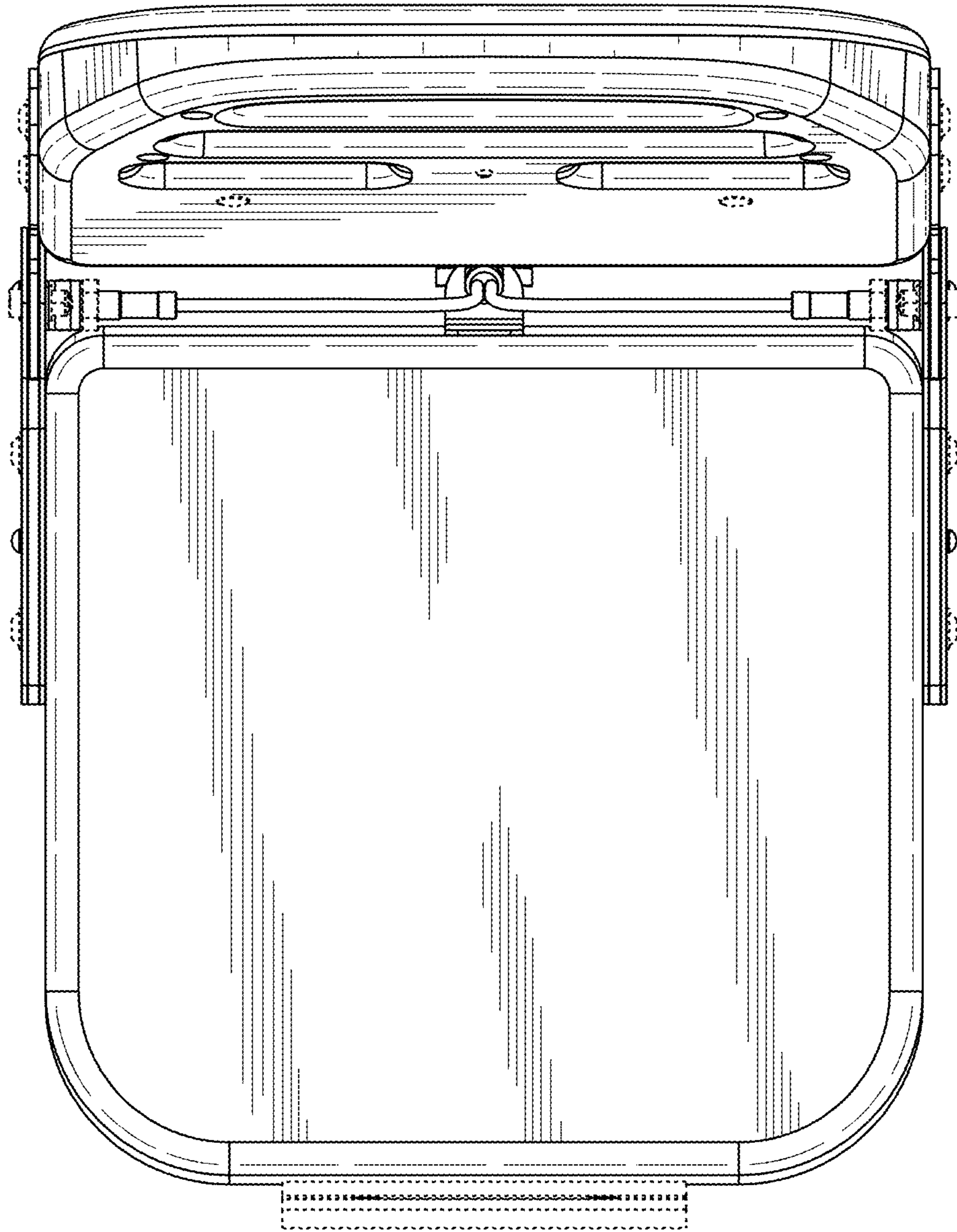


FIG. 6



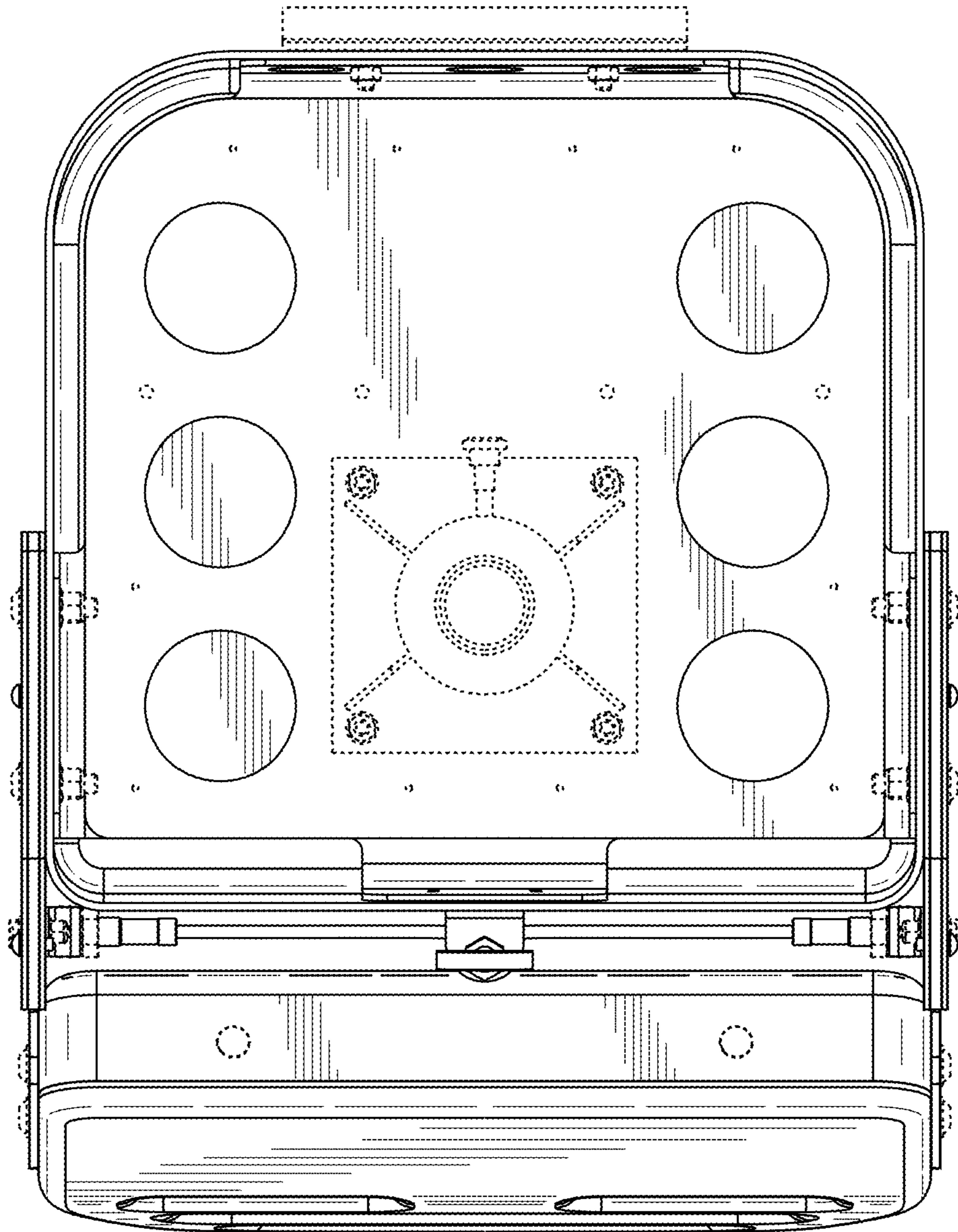


FIG. 7

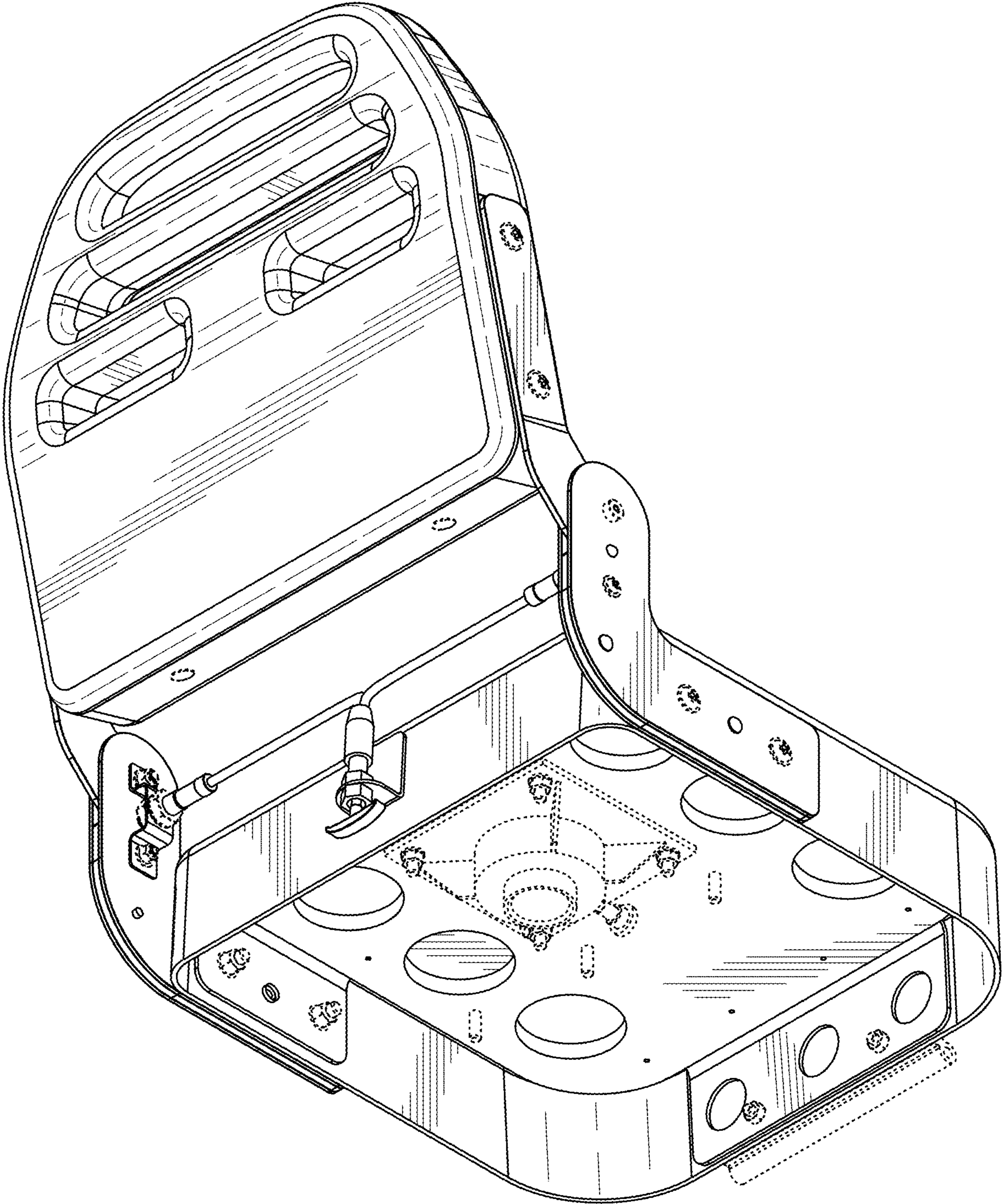


FIG. 8

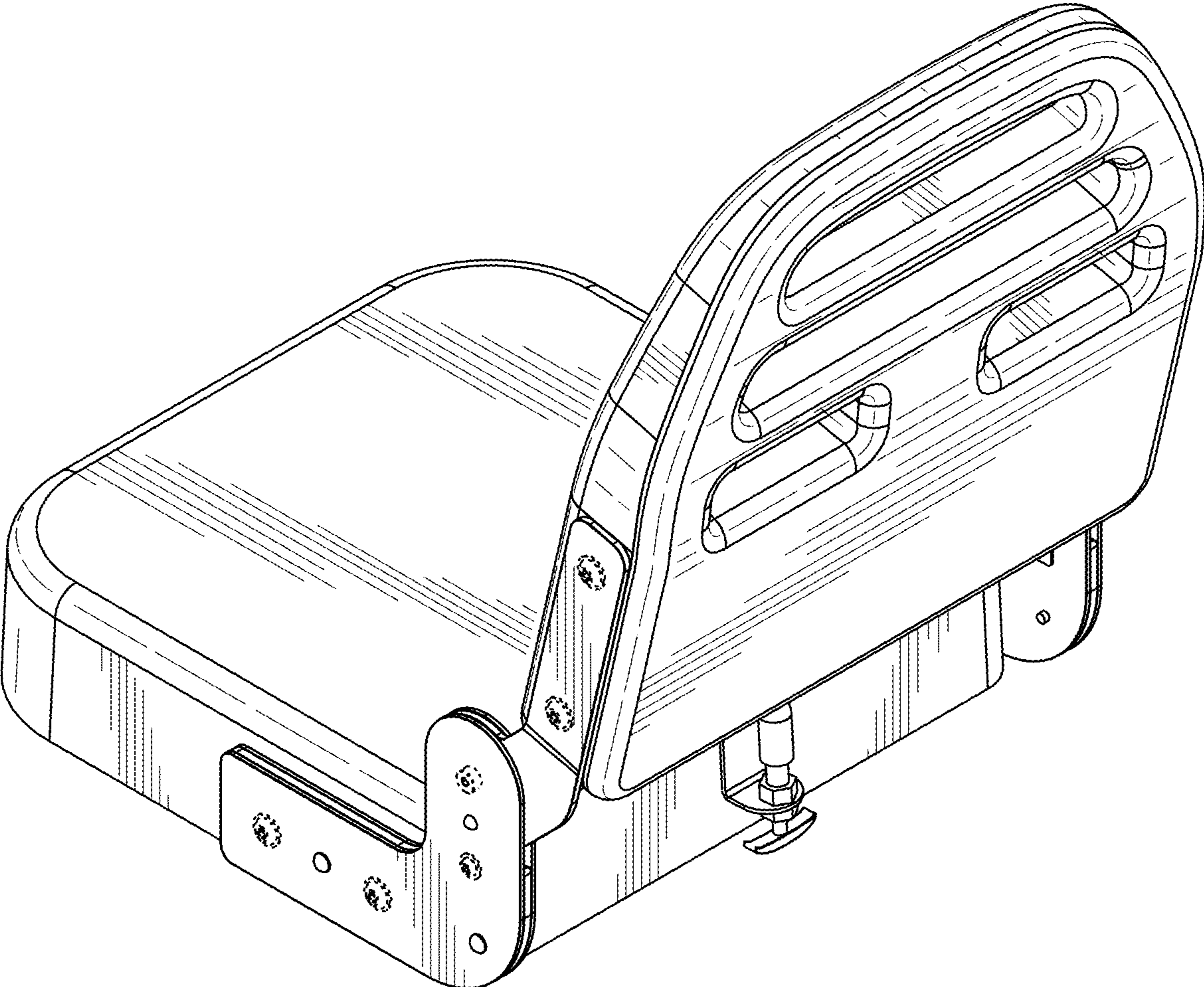


FIG. 9

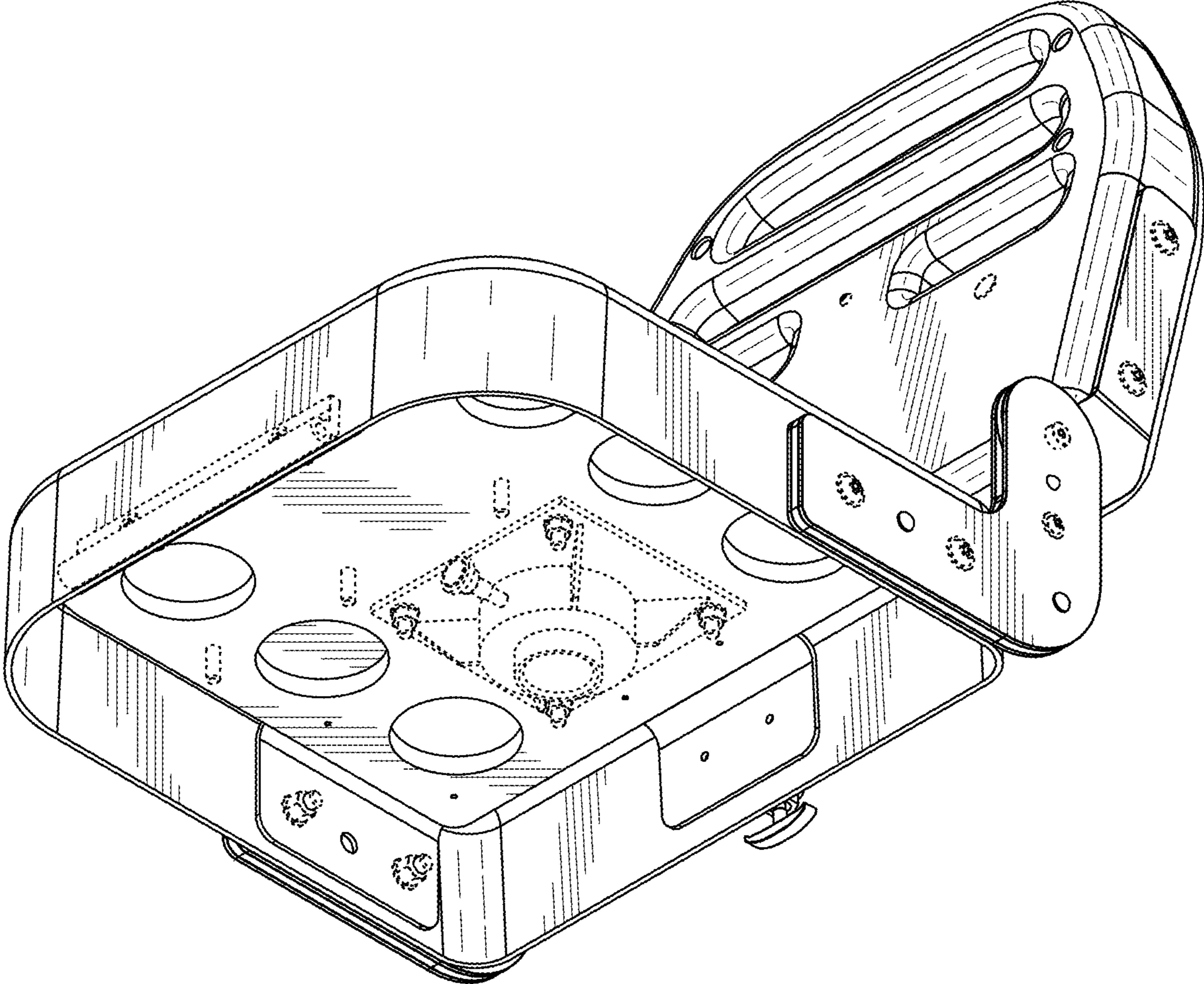


FIG. 10