



US00D914379S

(12) **United States Design Patent**  
**Levin et al.**

(10) **Patent No.:** **US D914,379 S**  
(45) **Date of Patent:** **\*\* Mar. 30, 2021**

- (54) **BOAT CHAIR**
- (71) Applicants: **Eric Martin Levin**, Severna Park, MD (US); **Rick Dries**, Roseville, MI (US)
- (72) Inventors: **Eric Martin Levin**, Severna Park, MD (US); **Rick Dries**, Roseville, MI (US)
- (\*\*) Term: **15 Years**
- (21) Appl. No.: **29/691,210**
- (22) Filed: **May 14, 2019**
- (51) **LOC (13) Cl.** ..... **06-01**
- (52) **U.S. Cl.**  
USPC ..... **D6/356**
- (58) **Field of Classification Search**  
USPC ..... D6/334-336, 356, 367, 368, 374, 375, D6/376, 379, 380, 716, 716.1, 716.2, D6/716.3, 716.4  
CPC . B60N 2/20; B60N 2/206; B60N 2/22; B60N 2/68; B63B 29/04; A47C 5/06; A47C 5/10; A47C 7/62; A01K 97/10  
See application file for complete search history.

6,779,841 B2 \* 8/2004 Eckendorff ..... B60N 2/22 297/216.13  
 D502,816 S \* 3/2005 Bellington ..... D6/356  
 6,880,482 B2 4/2005 Huse  
 (Continued)

*Primary Examiner* — Mimosa De  
 (74) *Attorney, Agent, or Firm* — Garcia-Zamor  
 Intellectual Property Law, LLC; Ruy Garcia-Zamor

(57) **CLAIM**

I claim a new ornamental design for a boat chair, as shown and described.

**DESCRIPTION**

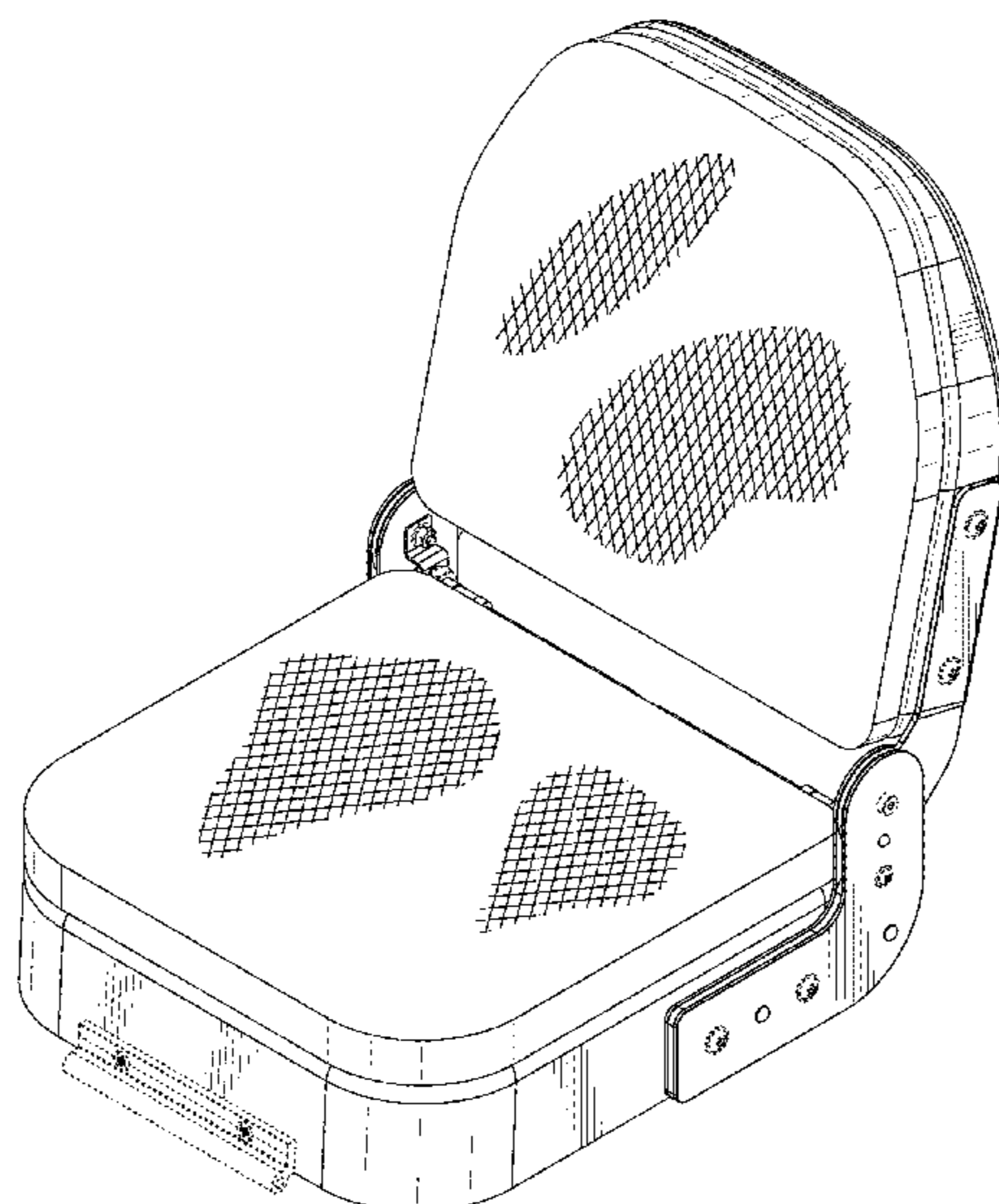
FIG. 1 is a top front perspective view of a boat chair according to the present invention;  
 FIG. 2 is a front side elevational view of the boat chair of FIG. 1;  
 FIG. 3 is a rear side elevational view of the boat chair of FIG. 1;  
 FIG. 4 is a left side elevational view of the boat chair of FIG. 1;  
 FIG. 5 is a right side elevational of the boat chair of FIG. 1;  
 FIG. 6 is a top plan view of the boat chair of FIG. 1;  
 FIG. 7 is a bottom plan view of the boat chair of FIG. 1;  
 FIG. 8 is a rear left bottom perspective view of the boat chair of FIG. 1;  
 FIG. 9 is rear right top perspective view of the boat chair of FIG. 1; and,  
 FIG. 10 is a front right bottom perspective view of the boat chair of FIG. 1.  
 The broken lines in FIGS. 1-10 represent environment and are for illustrative purposes only and do not constitute part of the claimed design.  
 The fragmented crosshatch pattern, shown on the seat and backrest, represents fabric and is repeated throughout the areas shown.

(56) **References Cited**

**U.S. PATENT DOCUMENTS**

3,007,737	A *	11/1961	Lichter	.....	B63B 29/04 297/378.1
3,385,628	A *	5/1968	Lahaie	.....	B60N 2/20 296/63
3,501,200	A *	3/1970	Ohta	.....	B60N 2/68 297/452.19
4,645,167	A *	2/1987	Hardwick	.....	B63B 29/04 248/283.1
4,926,783	A	5/1990	Lathers		
5,520,440	A *	5/1996	Lee	.....	B60N 2/20 297/378.12
5,697,318	A	12/1997	Kobayashi		
6,283,059	B1	9/2001	Scully, Jr.		
6,361,114	B1 *	3/2002	Rumler	.....	B60N 2/22 297/411.39
6,527,341	B1	3/2003	Martin		

**1 Claim, 10 Drawing Sheets**



(56)

**References Cited**

U.S. PATENT DOCUMENTS

7,066,548	B2	6/2006	Butler	
7,107,927	B2	9/2006	Hopper	
7,137,351	B2	11/2006	Picou	
7,367,616	B2	5/2008	Summerford	
7,533,931	B1 *	5/2009	Bryant, Sr.	..... A47C 7/62 297/188.08
7,637,225	B2 *	12/2009	Templeman	..... B60N 2/20 114/363
7,823,972	B2 *	11/2010	Browne	..... B60N 2/20 297/217.2
8,083,292	B2 *	12/2011	Choi	..... B60N 2/22 297/452.18
9,021,975	B1	5/2015	Fodor	
9,357,756	B2 *	6/2016	Davis	..... A47C 7/62
D854,842	S *	7/2019	Levin	..... D6/356
10,556,645	B1 *	2/2020	Levin	..... B63B 29/04
D878,781	S *	3/2020	Monroe	..... D6/356
2007/0283614	A1 *	12/2007	Kessler	..... A01K 97/10 43/54.1
2010/0037814	A1	2/2010	Sahr	
2015/0274263	A1	10/2015	Nutz	

\* cited by examiner

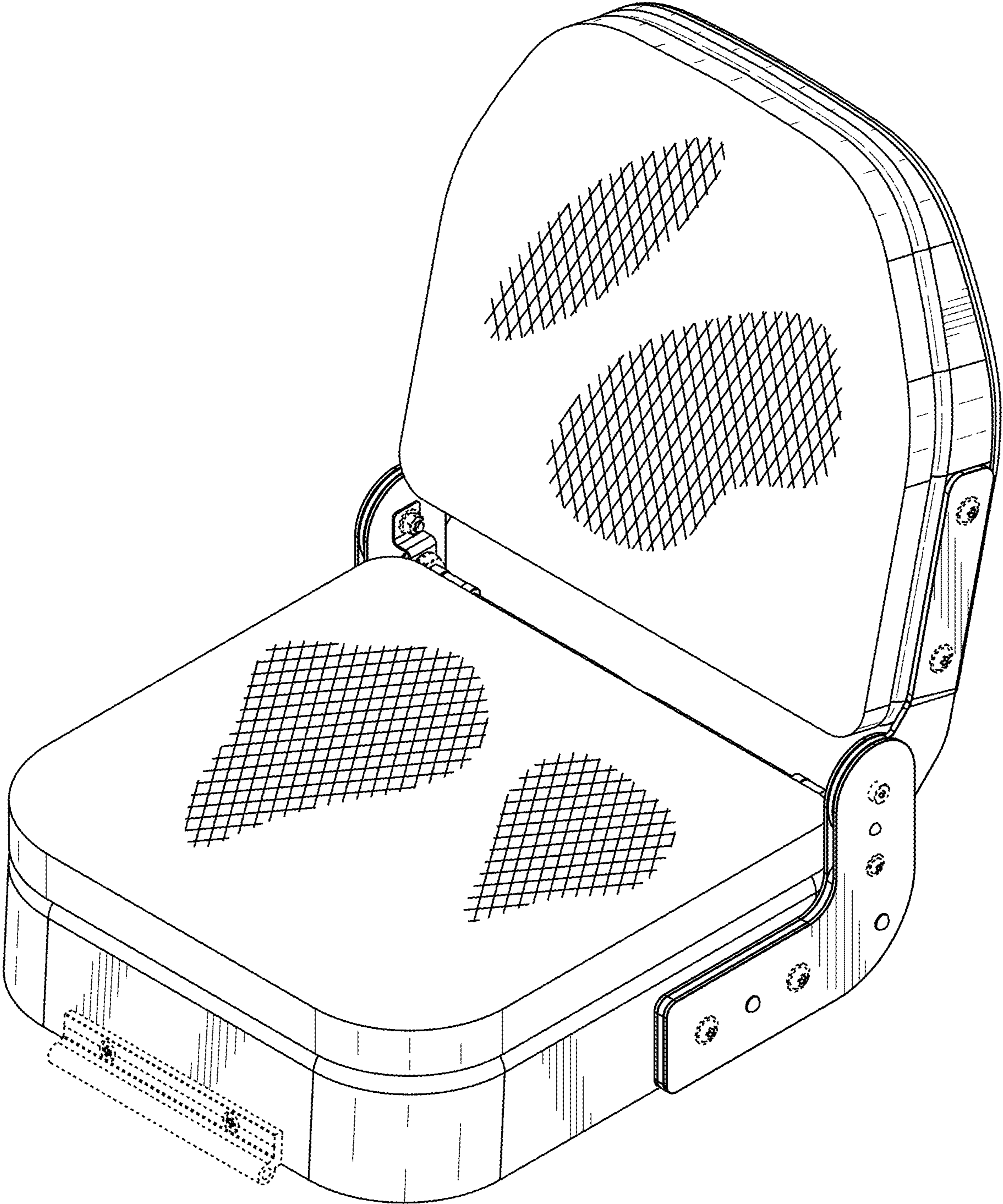


FIG. 1

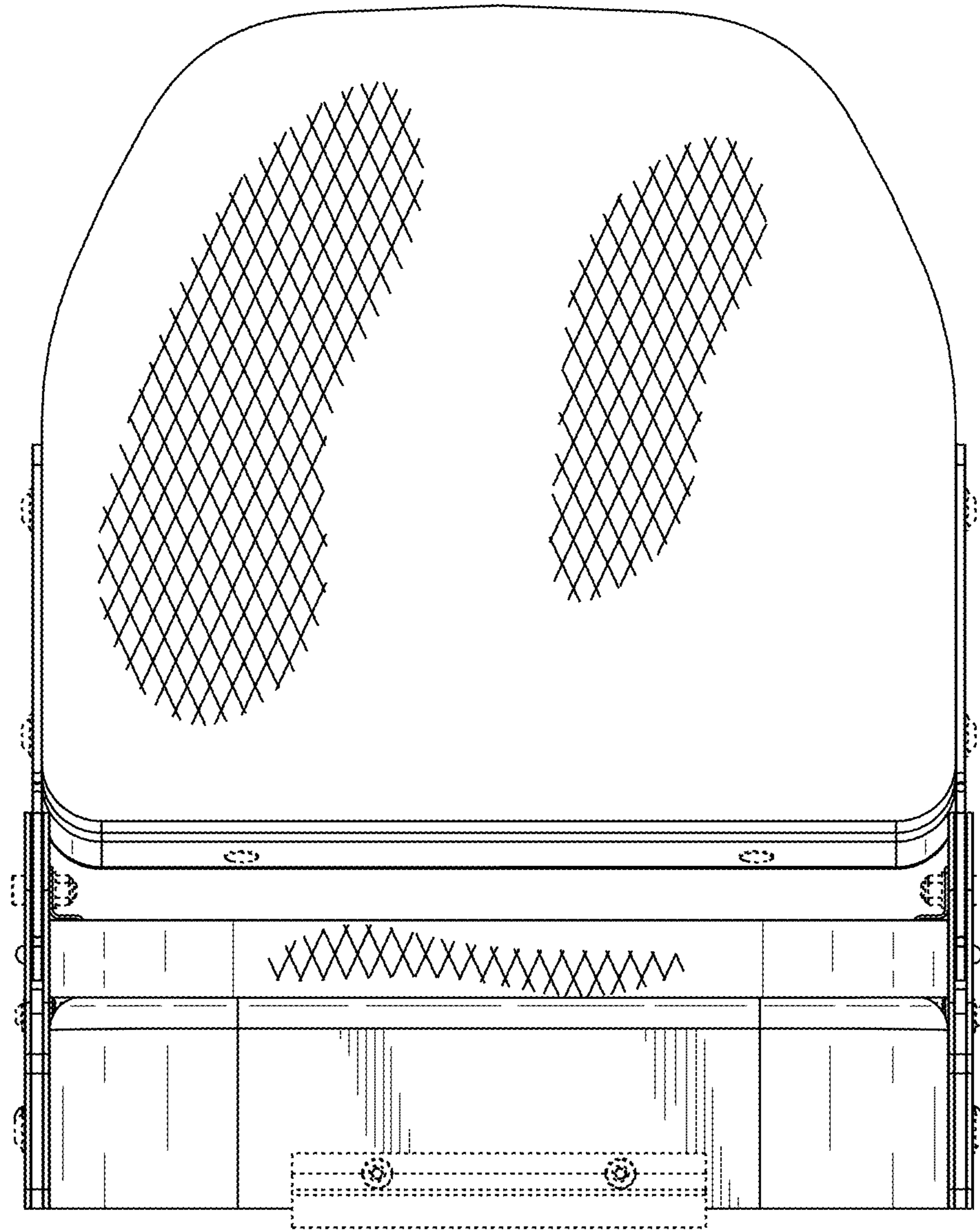


FIG. 2

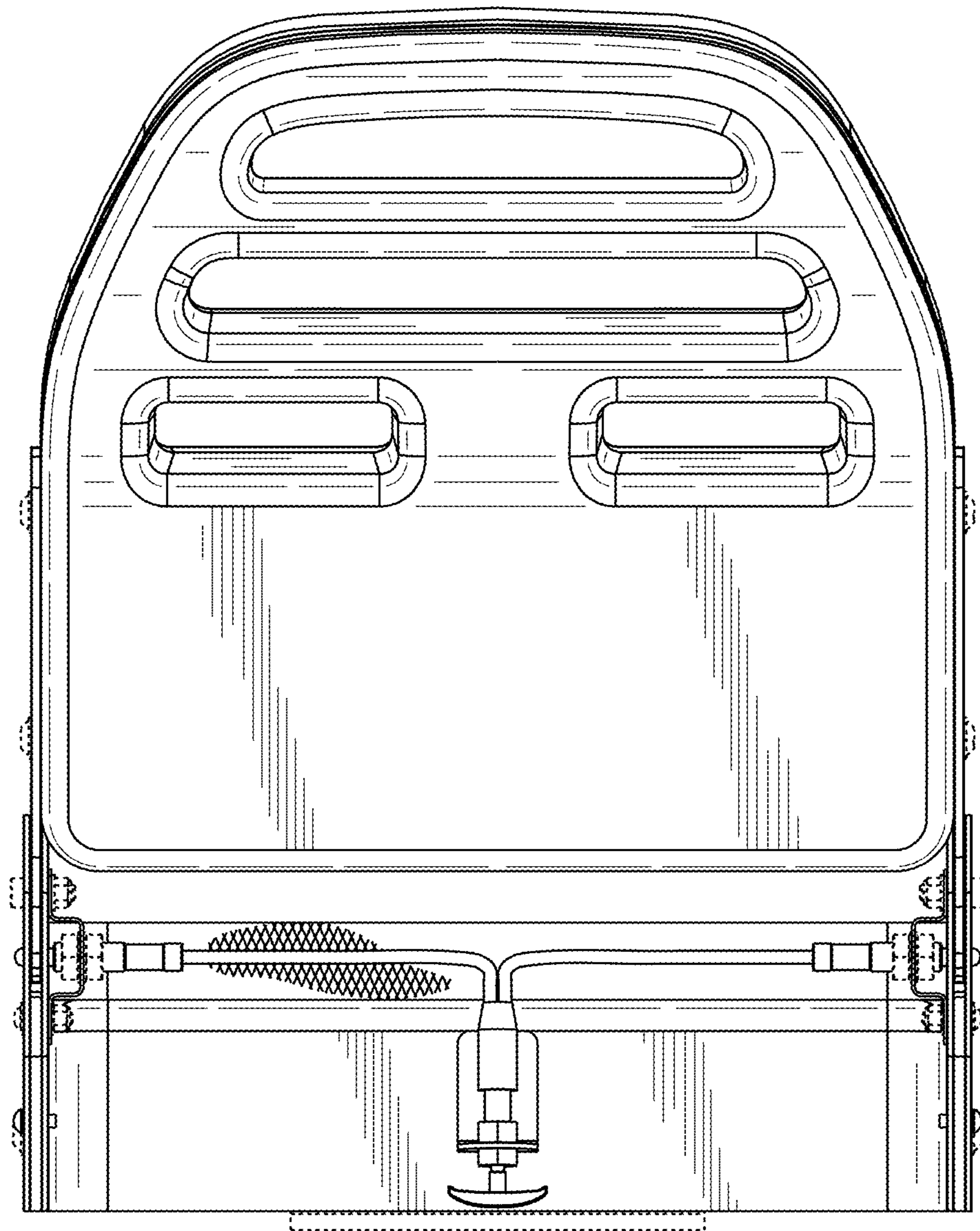


FIG. 3

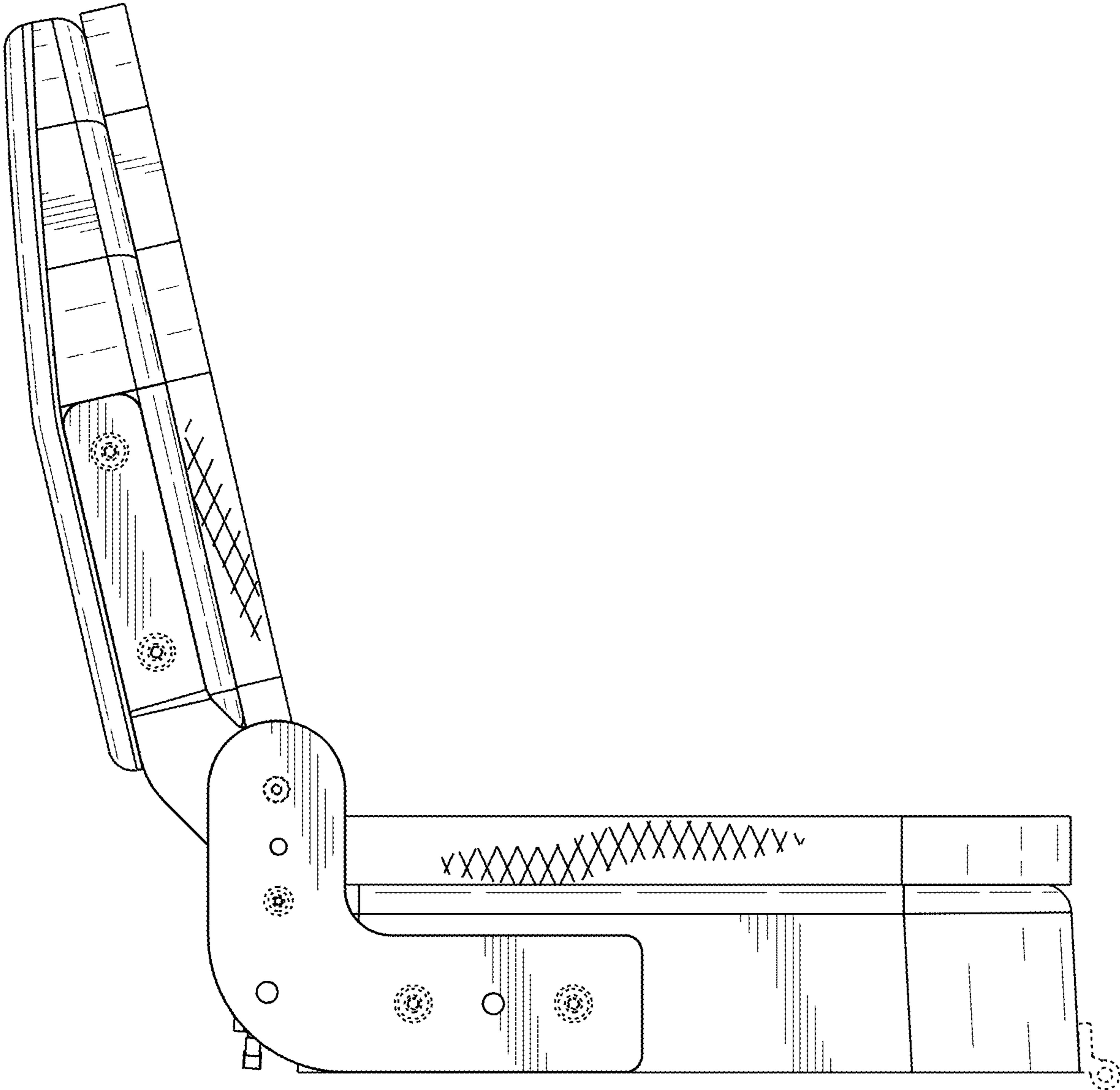


FIG. 4

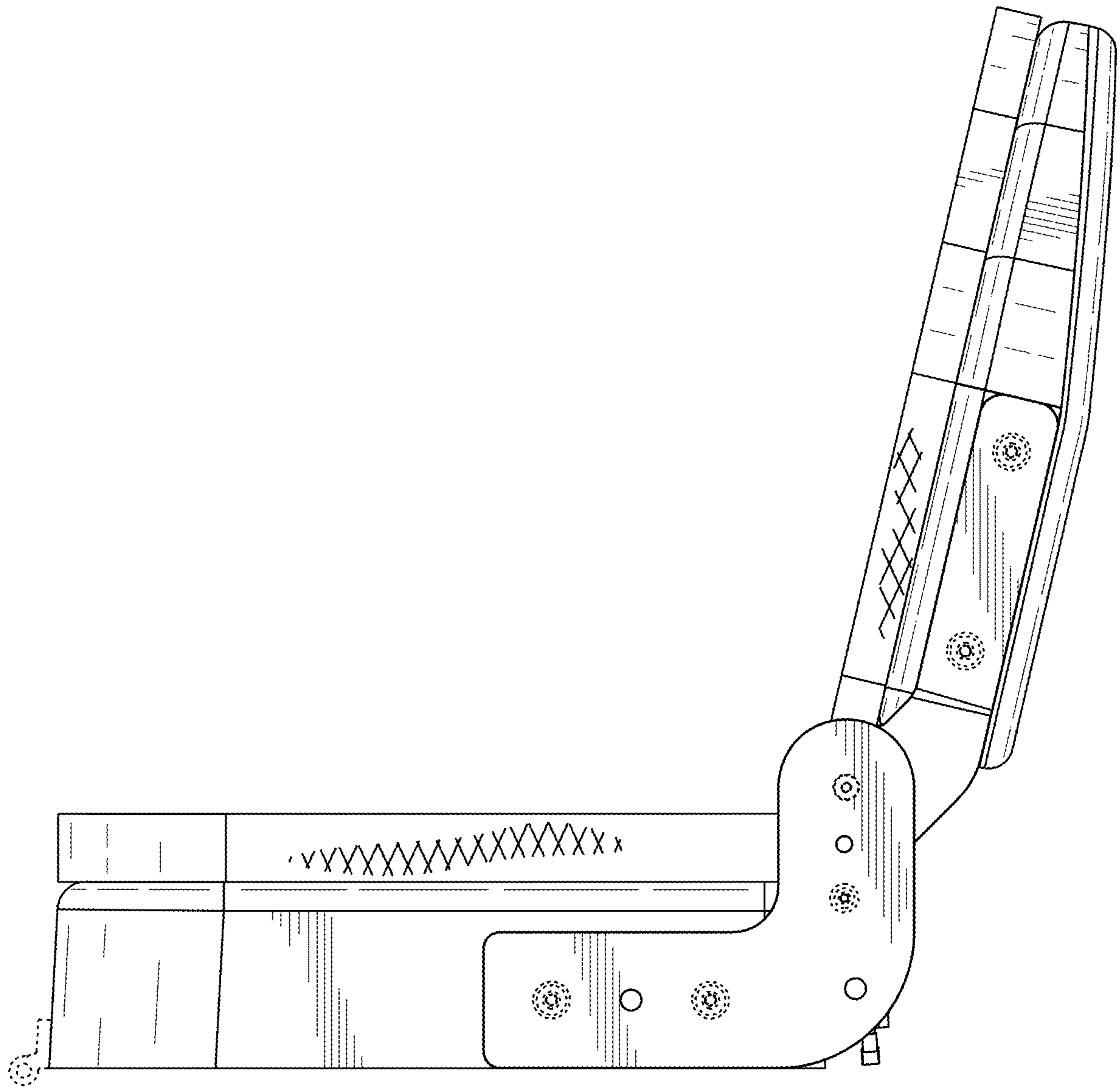


FIG. 5

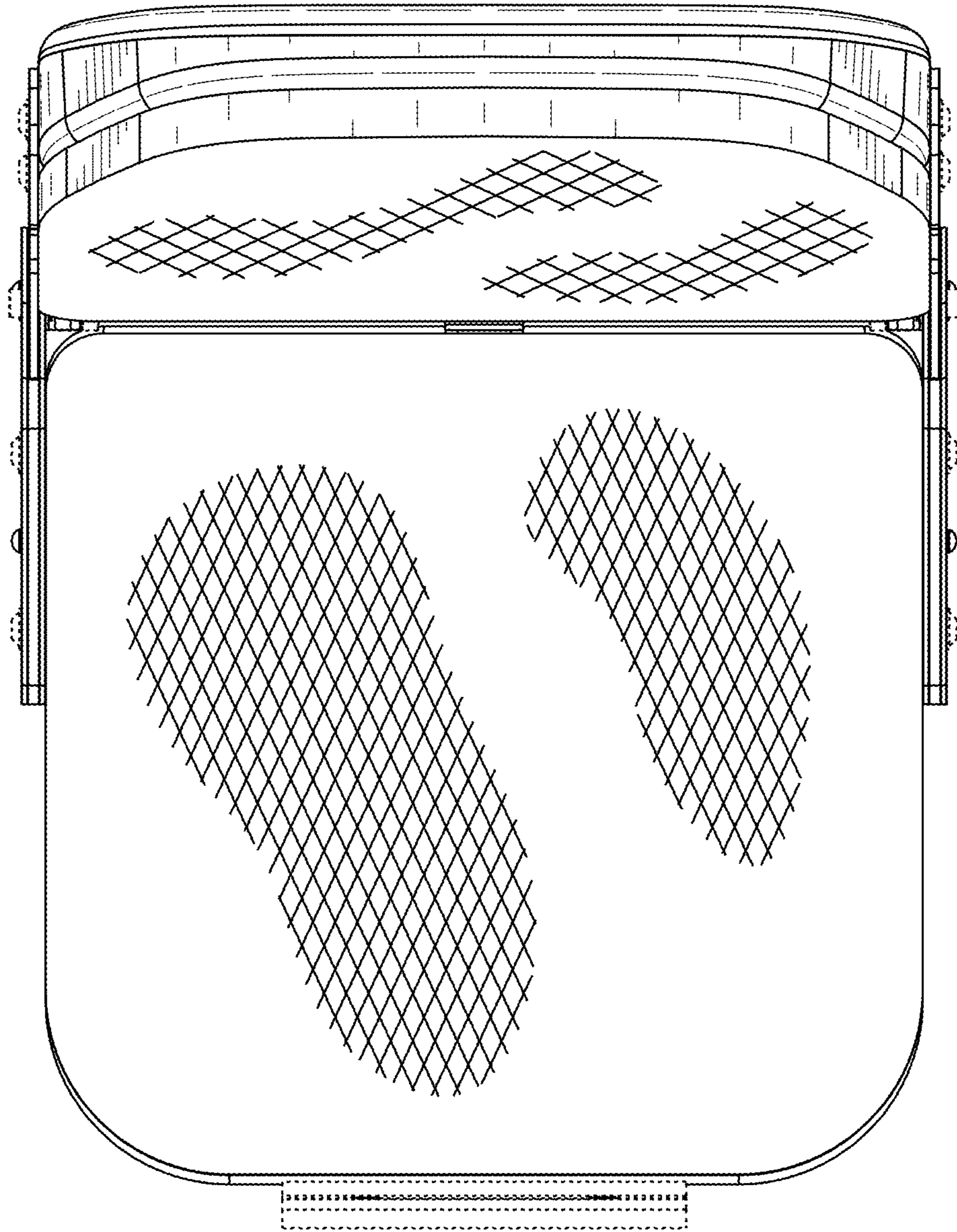


FIG. 6



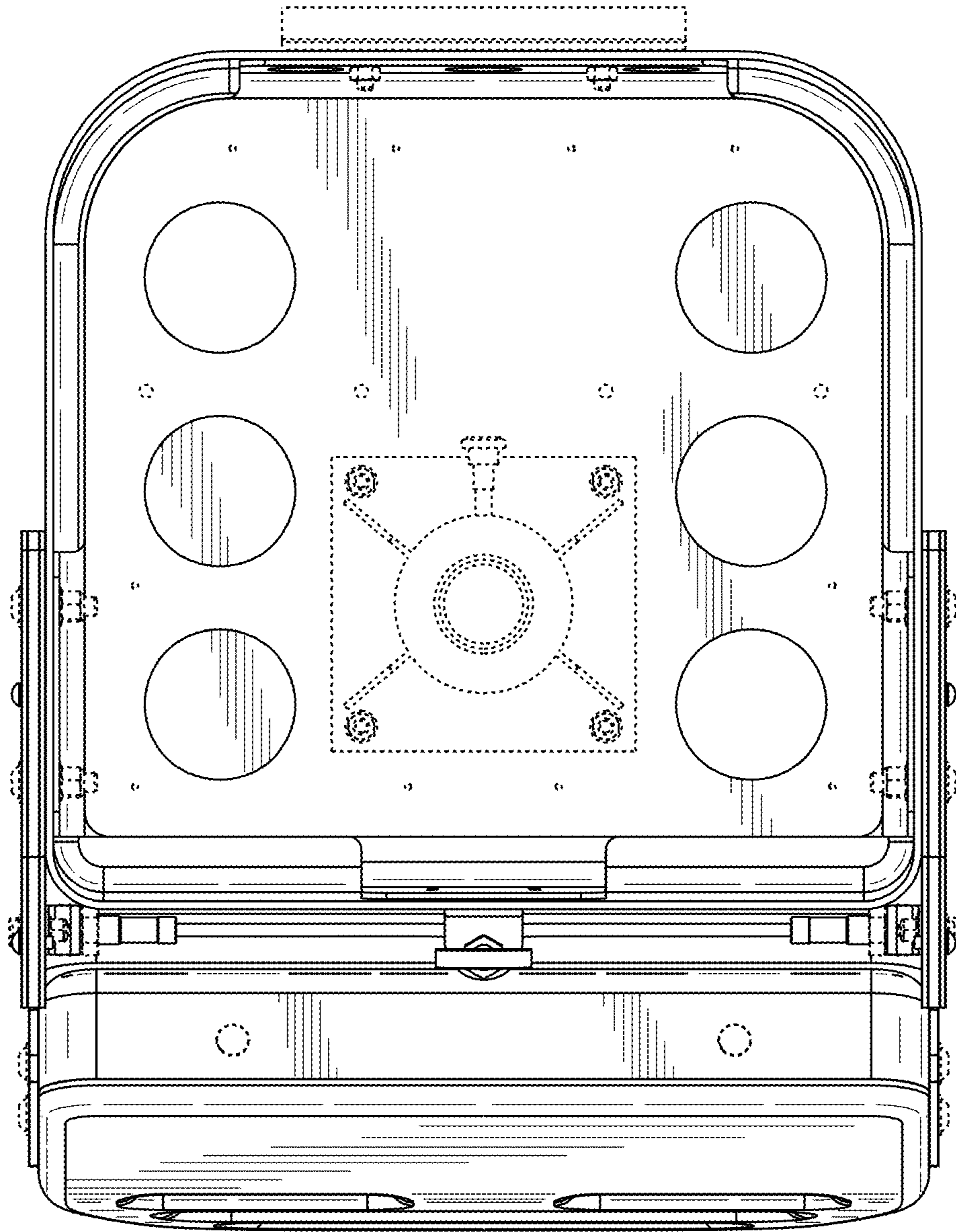


FIG. 7

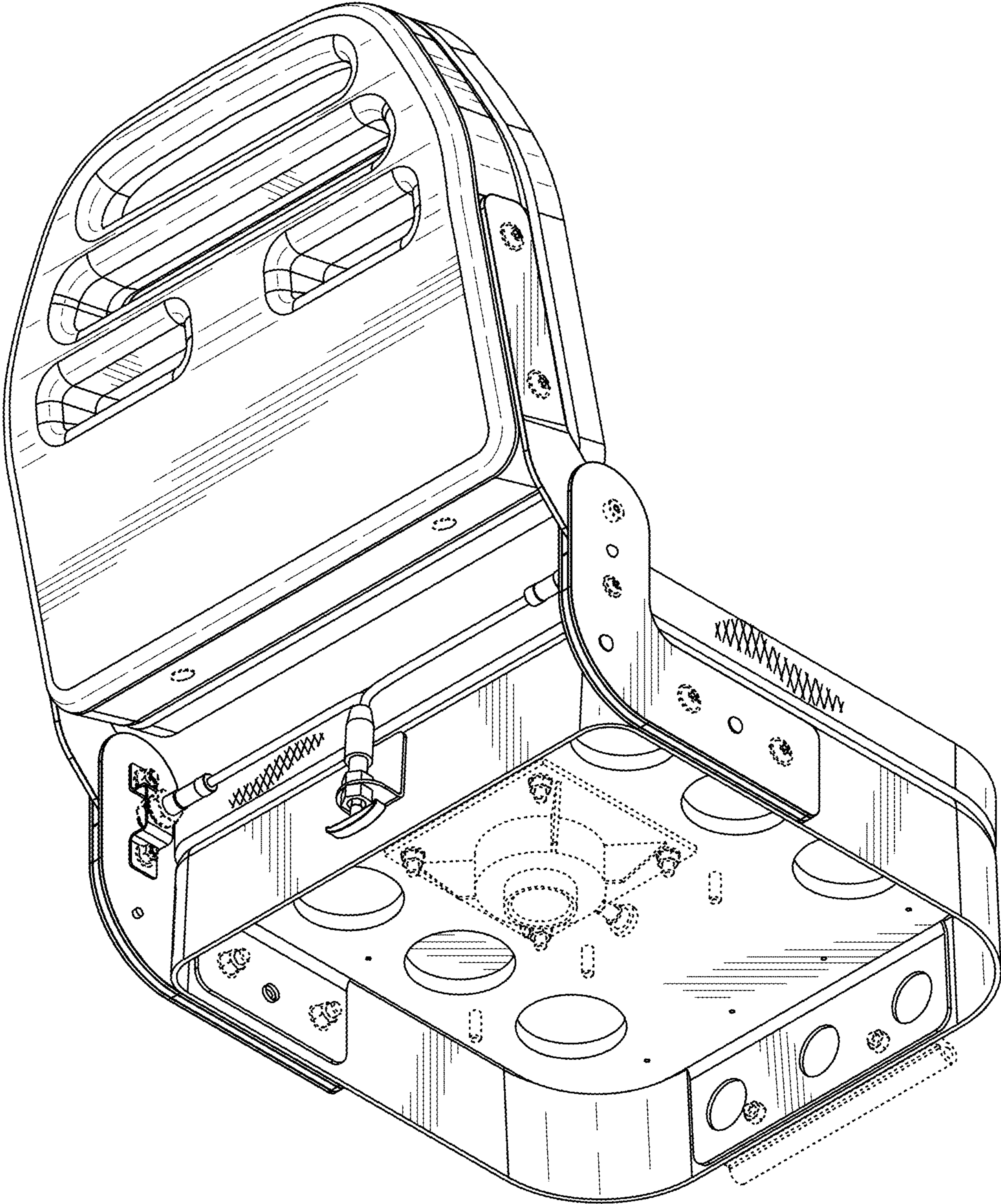


FIG. 8

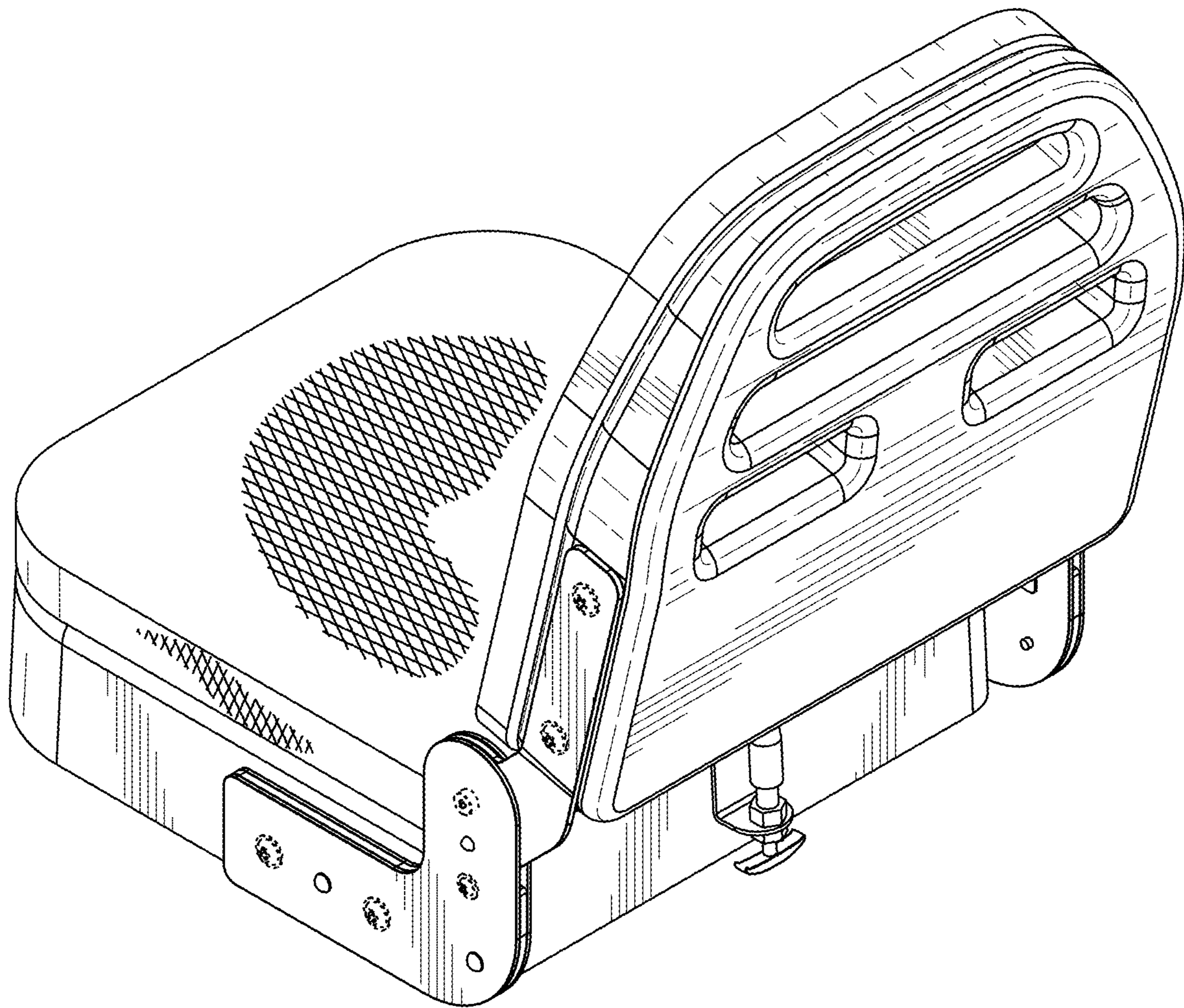


FIG. 9

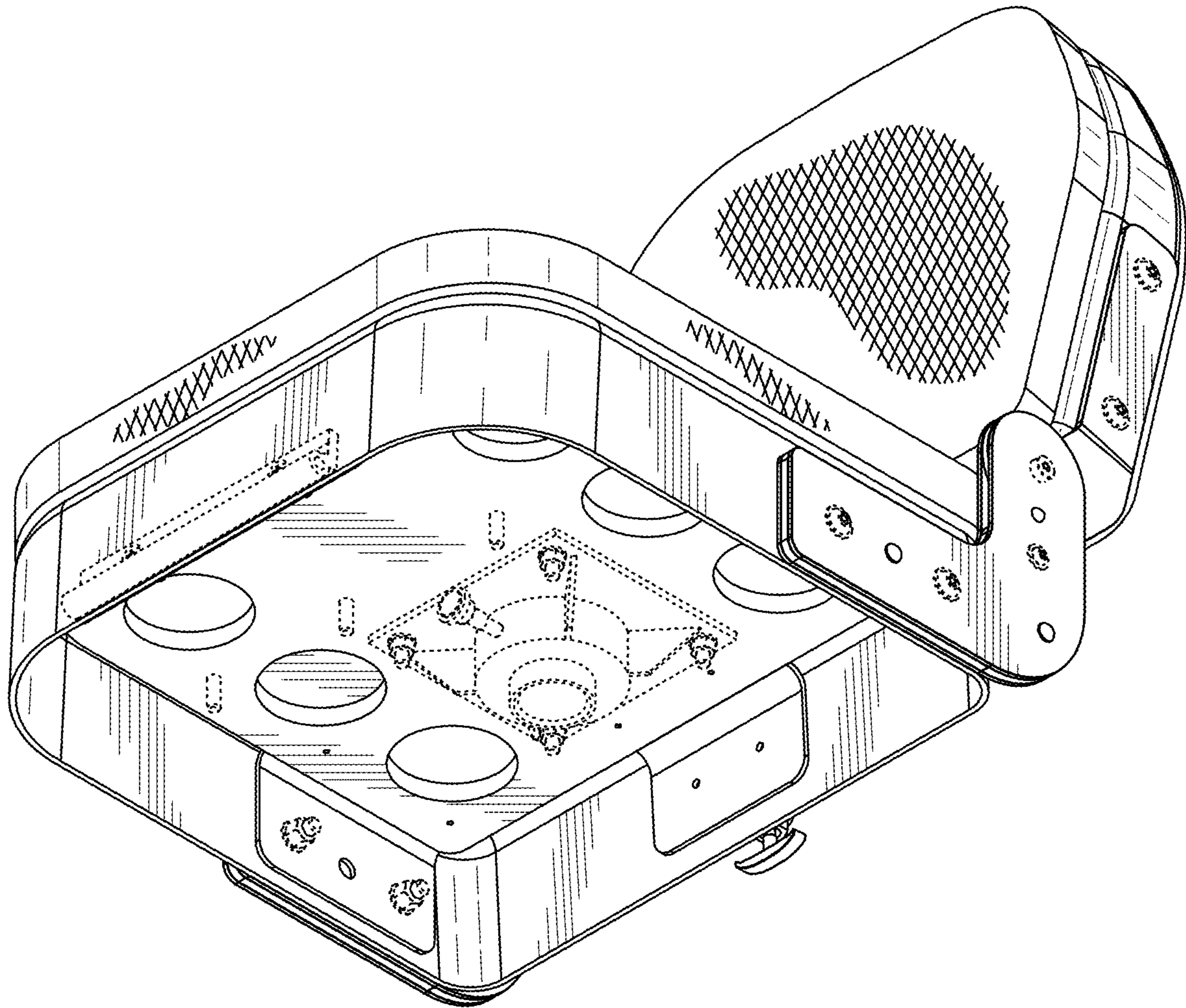


FIG. 10