



US00D914378S

(12) **United States Design Patent** (10) **Patent No.:** **US D914,378 S**  
**Simonetti** (45) **Date of Patent:** **\*\* Mar. 30, 2021**

(54) **GARDEN BENCH**

(71) Applicant: **PLAST-MECCANICA SOCIETA' PER AZIONI**, Castelbellino (IT)

(72) Inventor: **Lorenzo Simonetti**, Jesi (IT)

(\*\*) Term: **15 Years**

(21) Appl. No.: **29/705,938**

(22) Filed: **Sep. 17, 2019**

(51) **LOC (13) Cl.** ..... **06-01**

(52) **U.S. Cl.**  
USPC ..... **D6/336**

(58) **Field of Classification Search**  
USPC ..... D6/334-336, 338, 371, 373, 376-382,  
D6/716, 716.1, 716.2, 716.4, 708.16;  
297/184.1, 184.15, 232, 233, 248  
CPC ..... A47C 11/00; A47C 1/01; A47C 13/00  
See application file for complete search history.

(56) **References Cited**

**U.S. PATENT DOCUMENTS**

986,686	A *	3/1911	Carney	.....	A47B 85/04 297/123
1,766,077	A *	6/1930	Jensen	.....	A47B 85/04 297/119
2,682,915	A *	7/1954	Forti	.....	A47C 17/02 297/188.1
D427,788	S *	7/2000	Paul	.....	D6/336
D432,322	S *	10/2000	Mandell	.....	D6/336
D509,075	S *	9/2005	Katz	.....	D6/336
D722,444	S *	2/2015	Lee	.....	D6/336
D722,774	S *	2/2015	Thuma	.....	D6/336
D722,775	S *	2/2015	Thuma	.....	D6/336
D723,815	S *	3/2015	Thuma	.....	D6/336
D723,816	S *	3/2015	Thuma	.....	D6/336
D728,250	S *	5/2015	Thuma	.....	D6/336
D729,528	S *	5/2015	Thuma	.....	D6/336

(Continued)

**OTHER PUBLICATIONS**

Keter Eden 70 Gallon Storage Bench, available Aug. 19, 2015, [online], [site visited Oct. 26, 2020]. Available from internet, URL: [https://www.amazon.com/Keter-Gallon-Weather-Outdoor-Storage/dp/B00E0JO5MG/ref=sr\\_1\\_8?dchild=1&keywords=garden+bench&qid=1603717194&sr=8-8](https://www.amazon.com/Keter-Gallon-Weather-Outdoor-Storage/dp/B00E0JO5MG/ref=sr_1_8?dchild=1&keywords=garden+bench&qid=1603717194&sr=8-8) (Year: 2015).\*

(Continued)

*Primary Examiner* — W. A. Teddy Falloway  
(74) *Attorney, Agent, or Firm* — Egbert Law Offices, PLLC

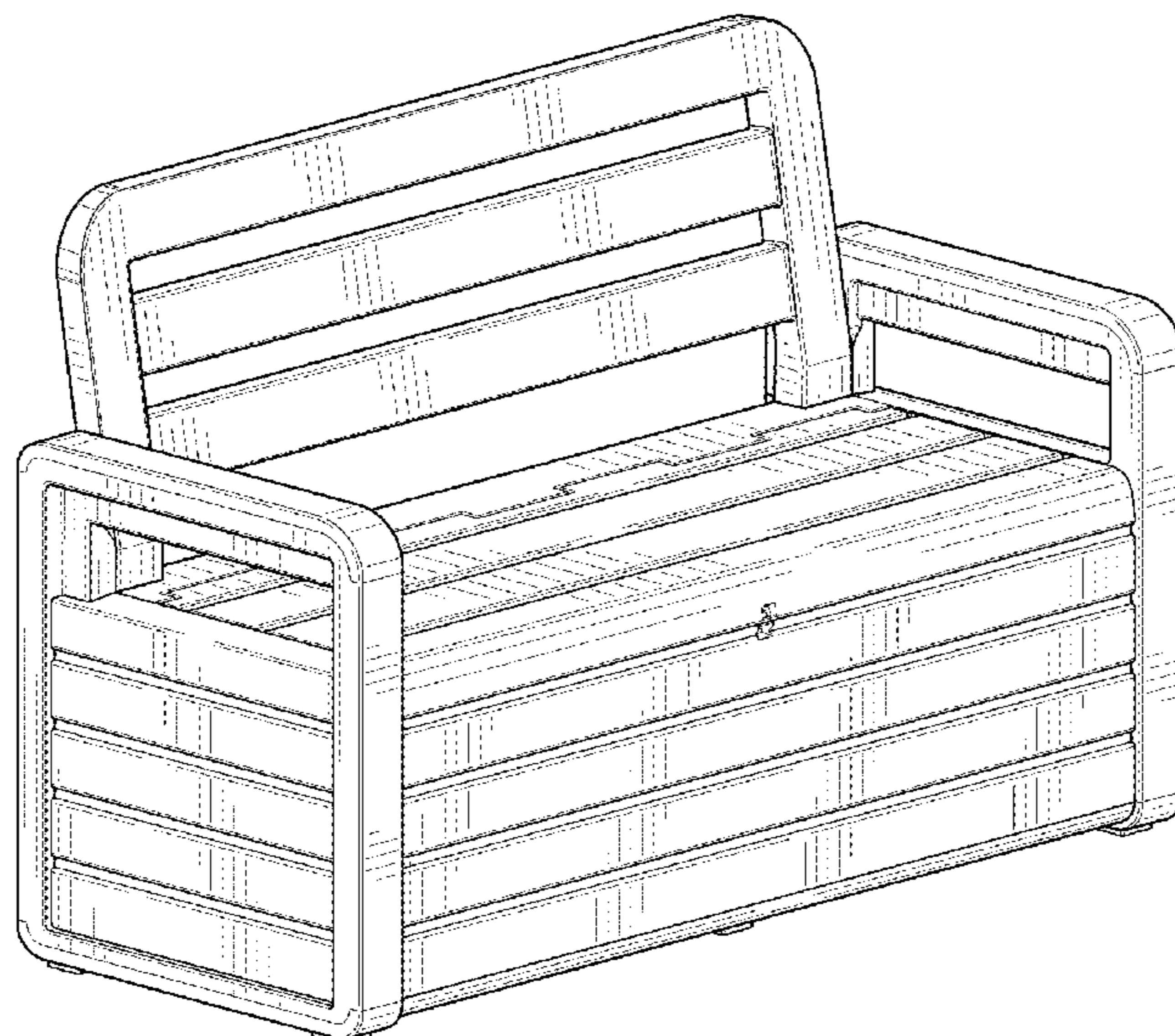
(57) **CLAIM**

The ornamental design for a garden bench, as shown and described.

**DESCRIPTION**

FIG. 1 is a front perspective view of a garden bench showing my new design.  
FIG. 2 is a front view thereof;  
FIG. 3 is a rear view thereof;  
FIG. 4 is a left side view thereof;  
FIG. 5 is a right side view thereof;  
FIG. 6 is a top view thereof;  
FIG. 7 is a bottom view thereof; and  
FIG. 8 is a rear perspective view thereof;  
FIG. 9 is a front perspective view of an embodiment of the garden bench of my new design having a woodgrain pattern on the surface thereof.  
FIG. 10 is a front view thereof;  
FIG. 11 is a rear view thereof;  
FIG. 12 is a left side view thereof;  
FIG. 13 is a right side view thereof;  
FIG. 14 is a top view thereof;  
FIG. 15 is a bottom view thereof; and,  
FIG. 16 is a rear perspective view thereof.  
The broken lines shown in FIGS. 7 and 15 illustrate portions of the garden bench that form no part of the claimed design.

**1 Claim, 8 Drawing Sheets**



(56)

**References Cited**

U.S. PATENT DOCUMENTS

D730,068 S \* 5/2015 Thuma ..... D6/336  
D869,199 S \* 12/2019 Campbell ..... D6/657  
10,638,848 B1 \* 5/2020 Wesley ..... E05B 49/00  
2019/0239650 A1 \* 8/2019 Nelson ..... E05B 65/52  
2019/0383085 A1 \* 12/2019 Hsu ..... B65D 81/3825  
2020/0121088 A1 \* 4/2020 Chasnis, II ..... A47G 29/124  
2020/0163480 A1 \* 5/2020 Waisanen ..... A47C 7/628

OTHER PUBLICATIONS

Keter Hudson 60 Gallon Storage Bench, available Apr. 30, 2020, [online], [site visited Oct. 26, 2020]. Available from internet, URL: [https://www.amazon.com/KETER-Plastic-Weather-Resistant-Backyard/dp/B086M5D3LC/ref=sr\\_1\\_6?dchild=1&keywords=storage%2Boutdoor%2Bbench&qid=1603718887&sr=8-6&th=1](https://www.amazon.com/KETER-Plastic-Weather-Resistant-Backyard/dp/B086M5D3LC/ref=sr_1_6?dchild=1&keywords=storage%2Boutdoor%2Bbench&qid=1603718887&sr=8-6&th=1) (Year: 2020).\*

\* cited by examiner

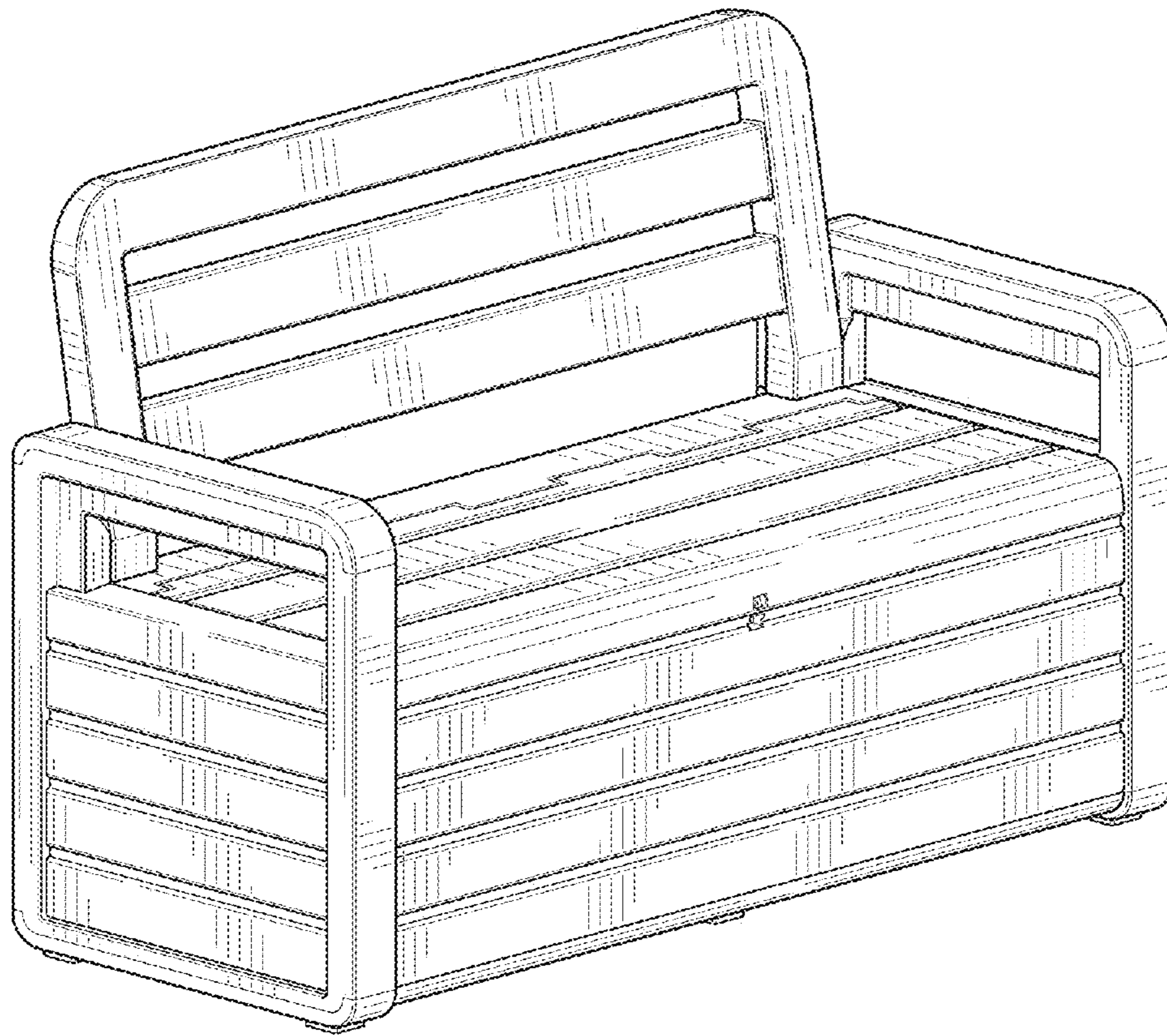


FIG. 1

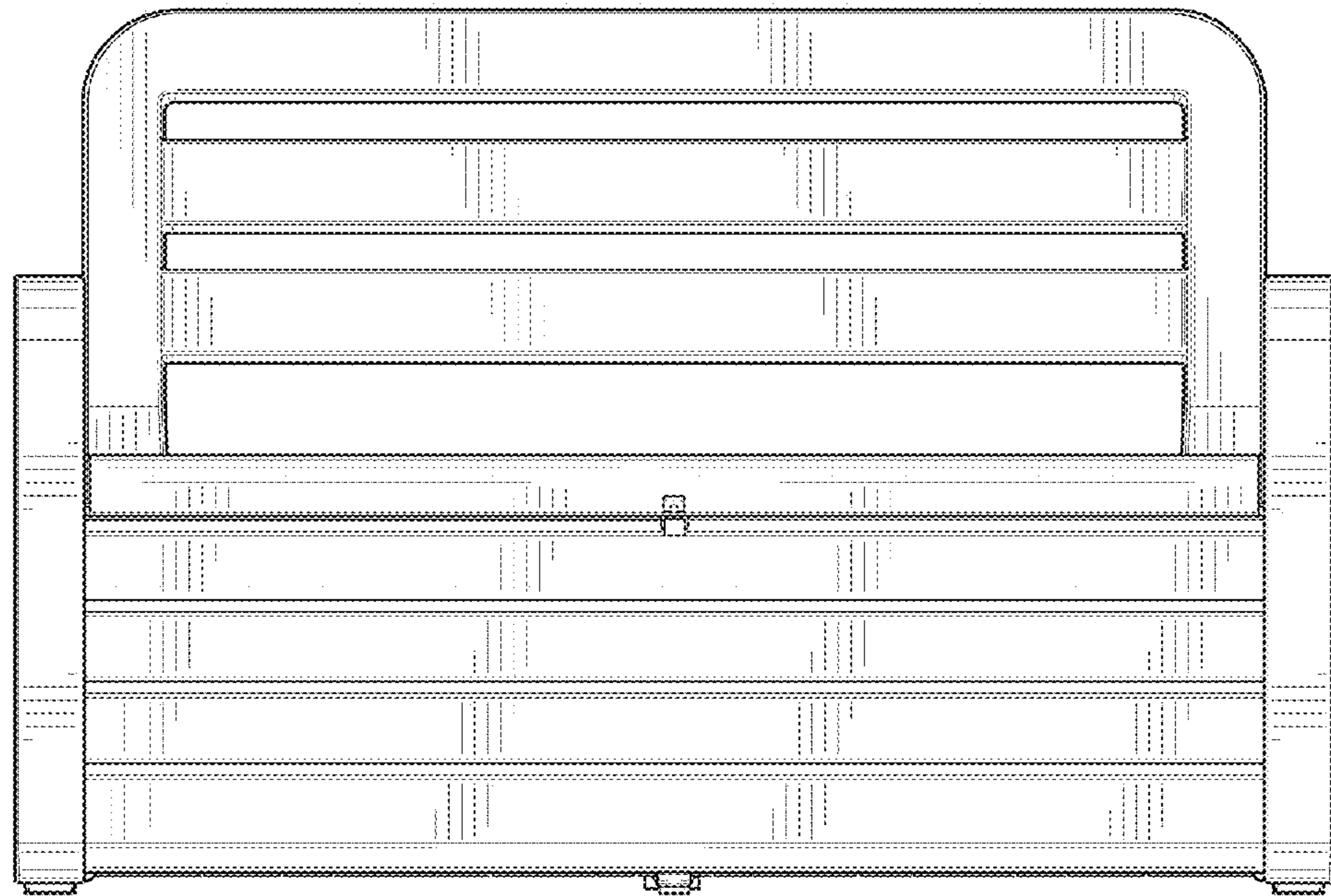
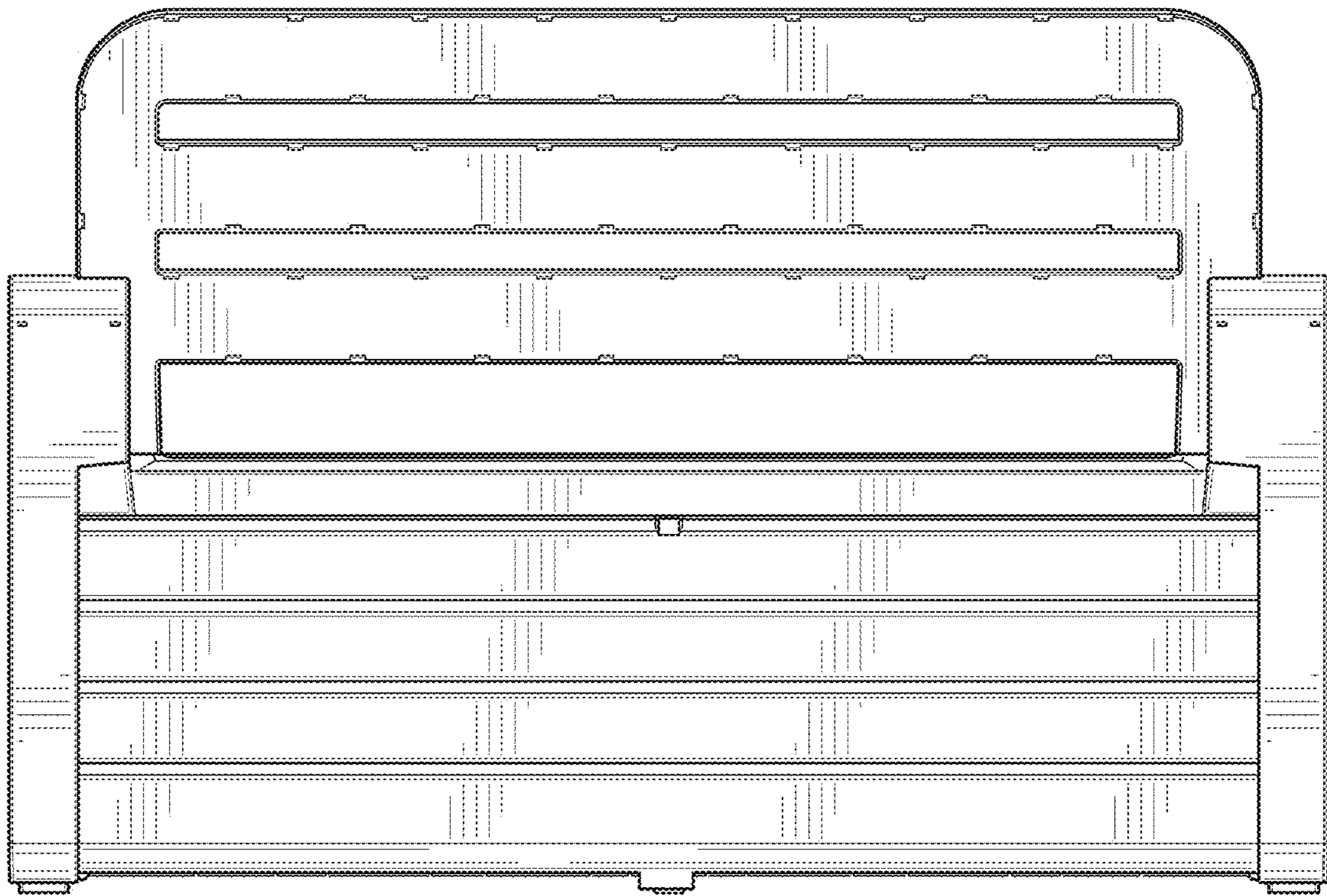
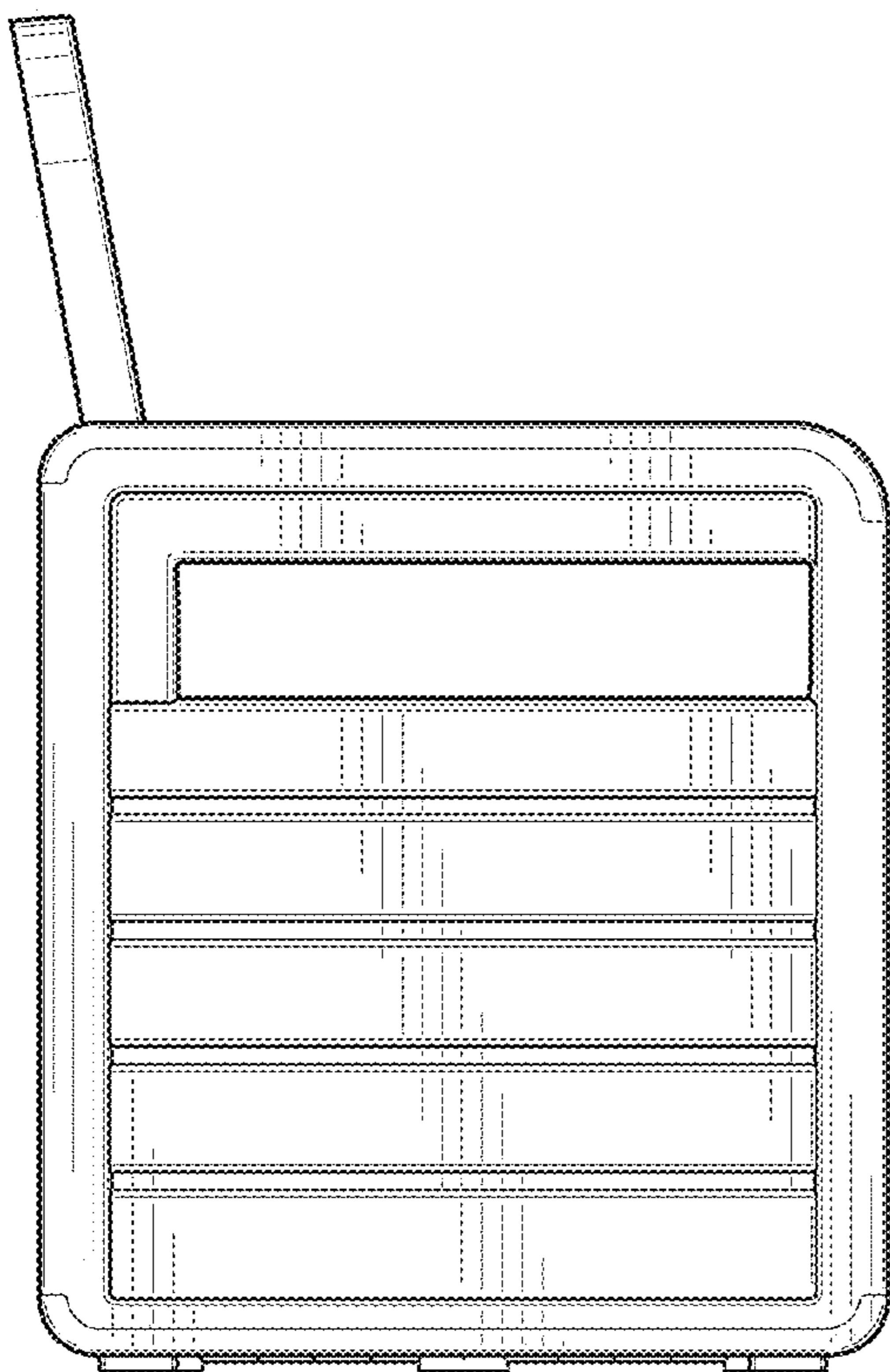


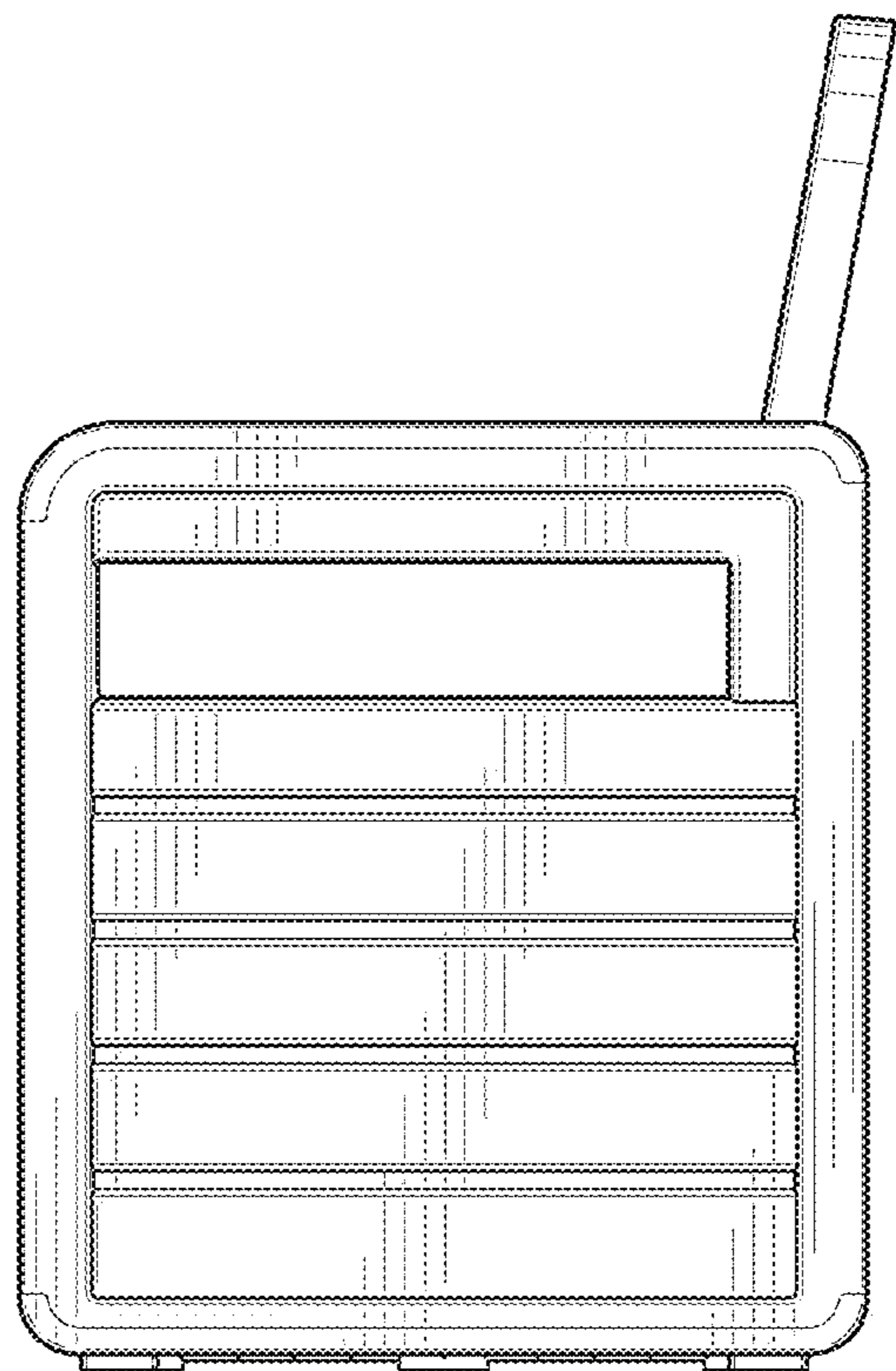
FIG. 2



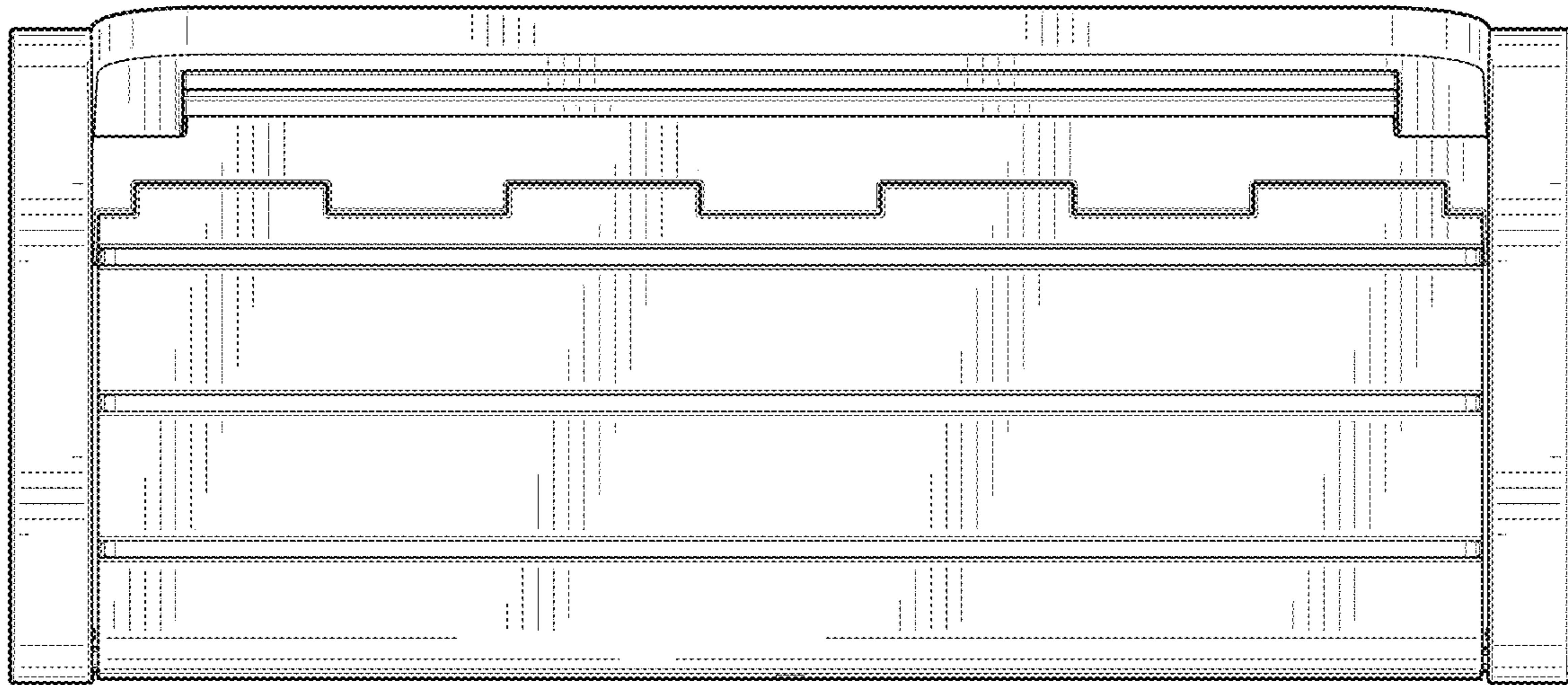
*FIG. 3*



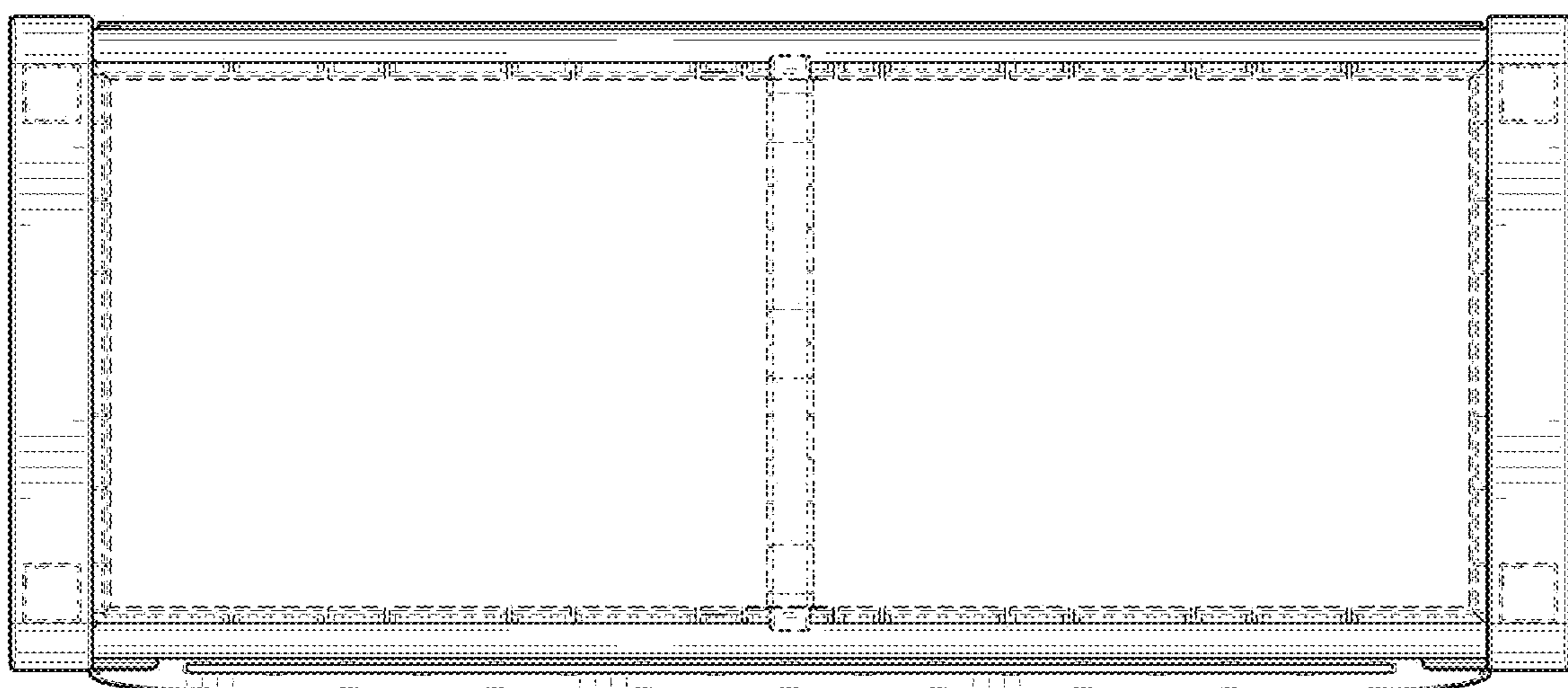
*FIG. 4*



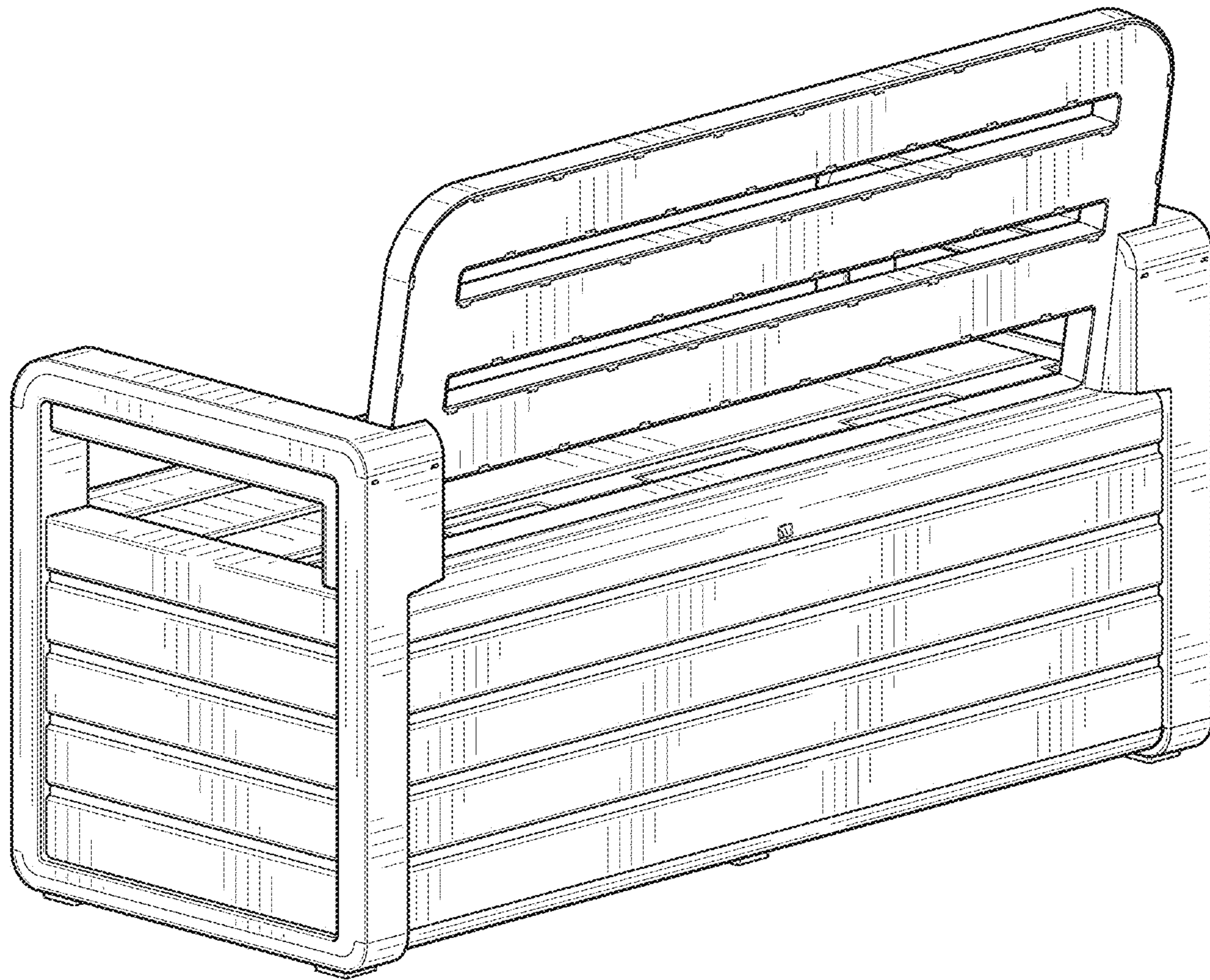
*FIG. 5*



*FIG. 6*



*FIG. 7*



*FIG. 8*

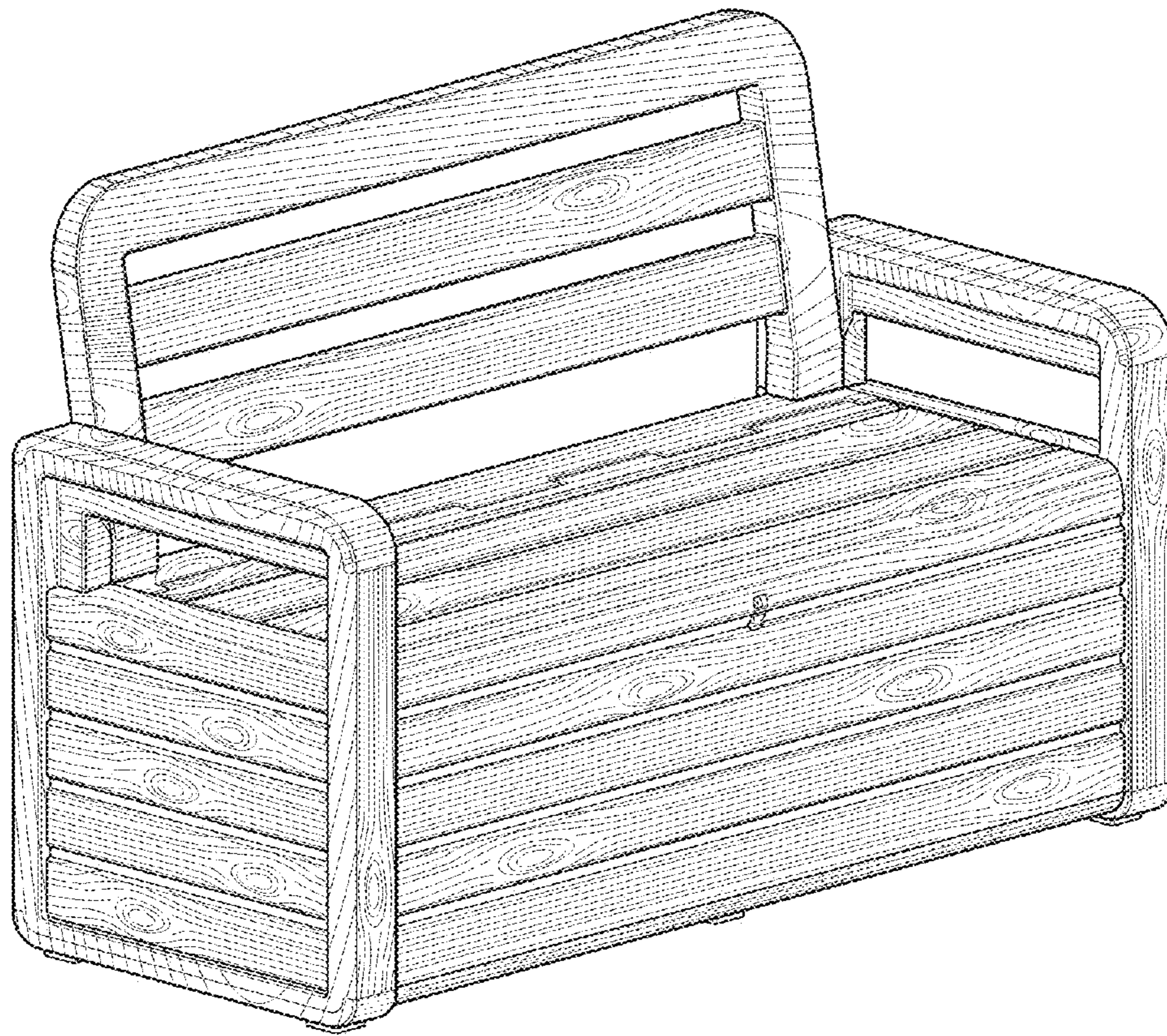


FIG. 9

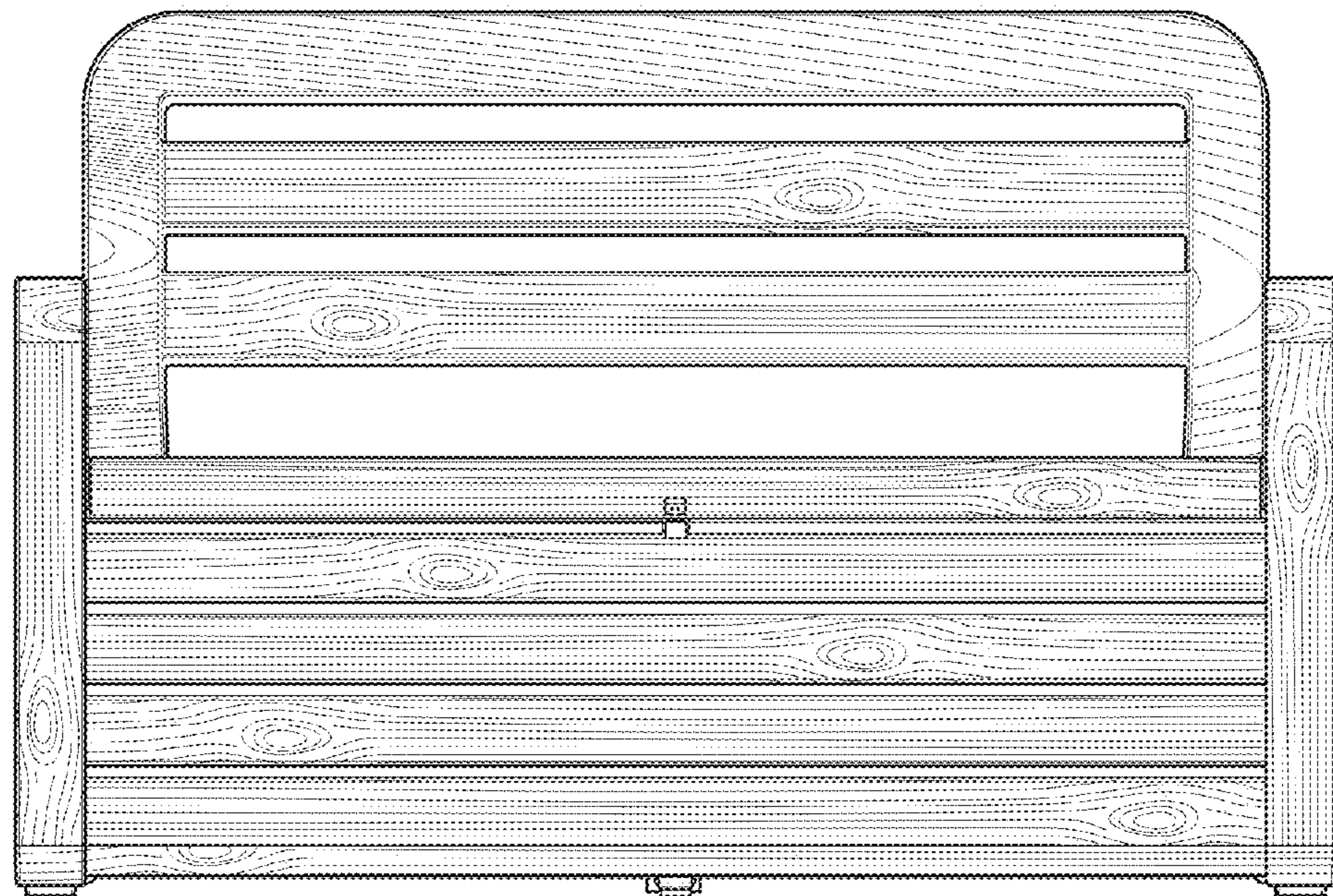
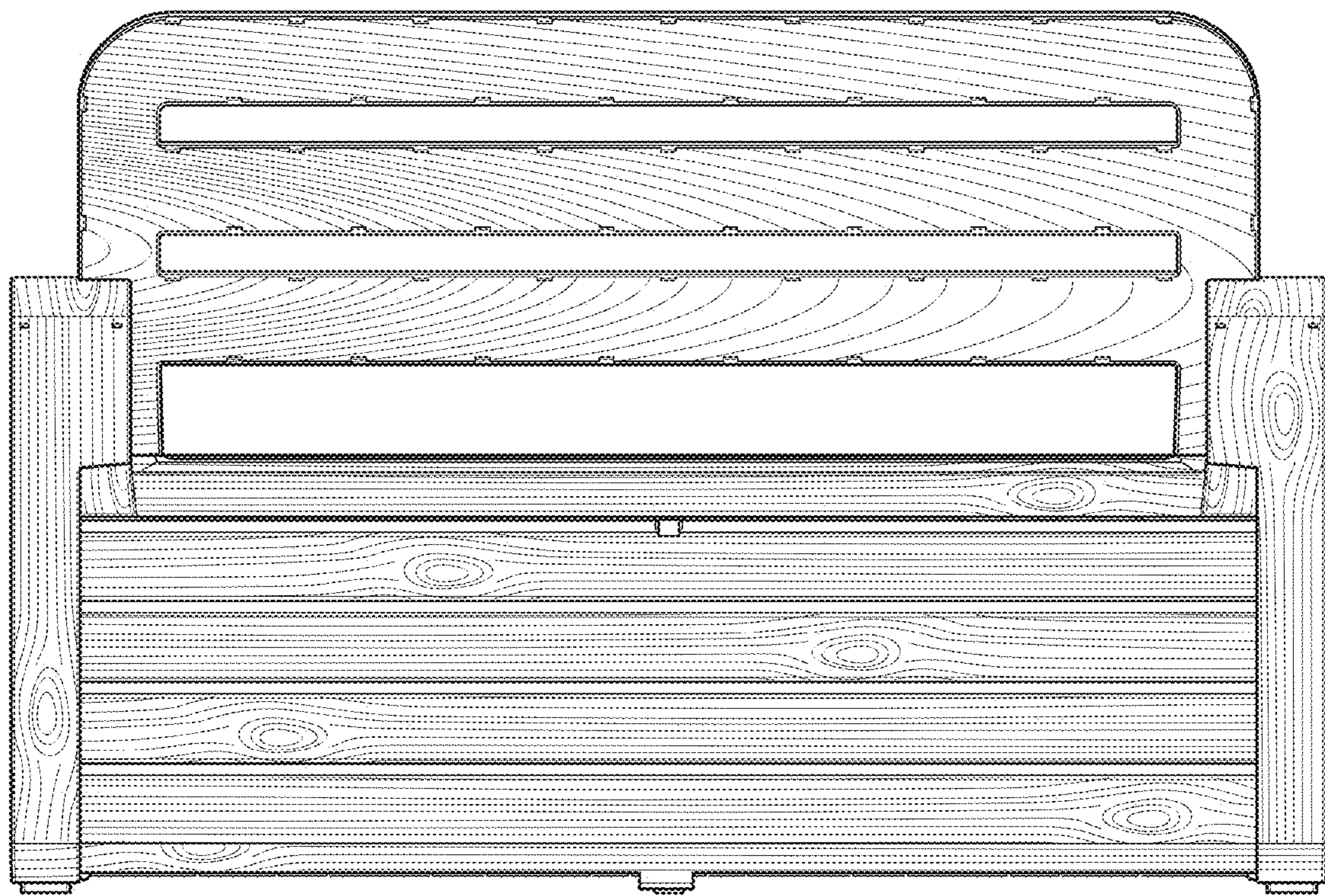
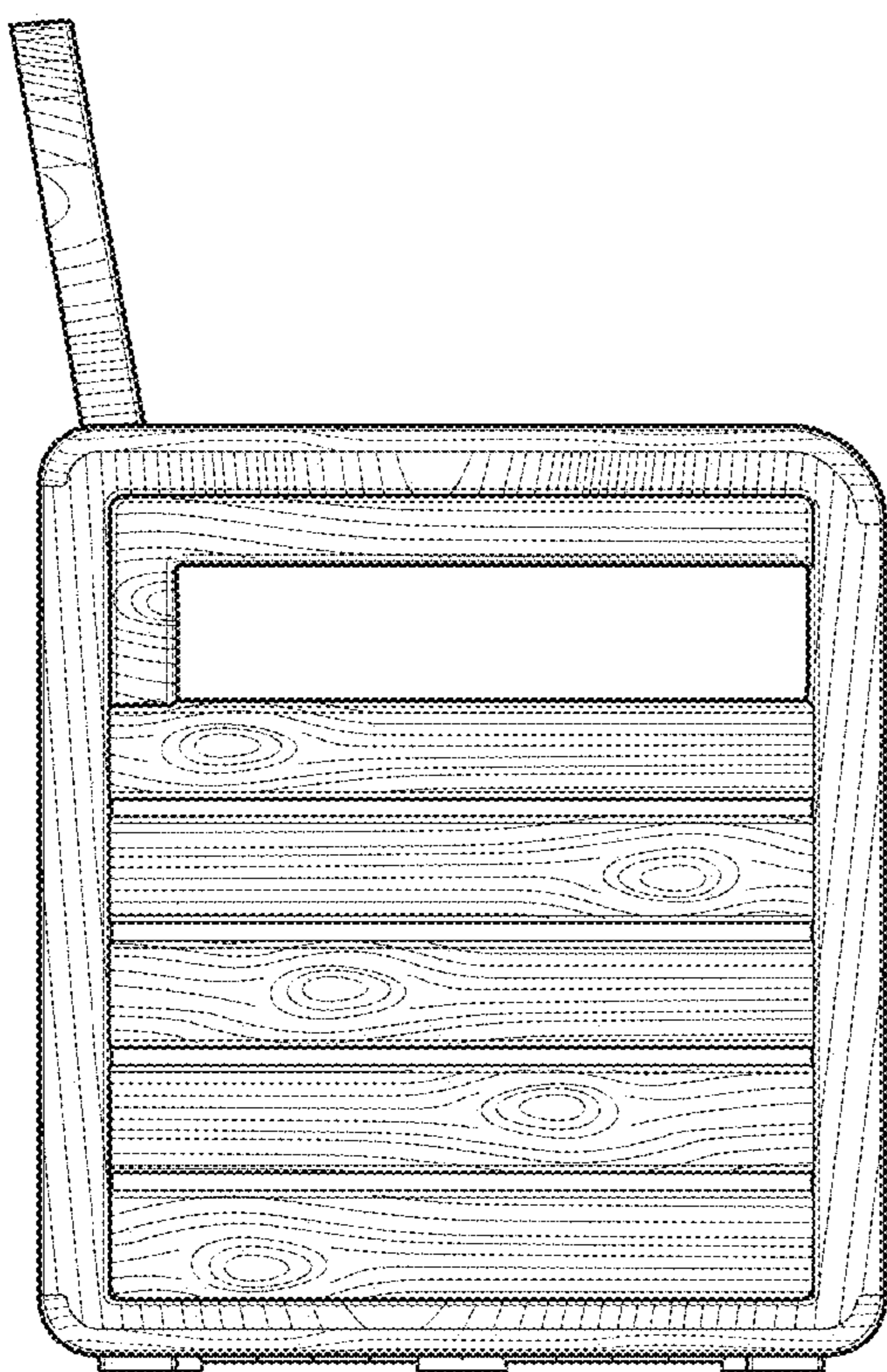


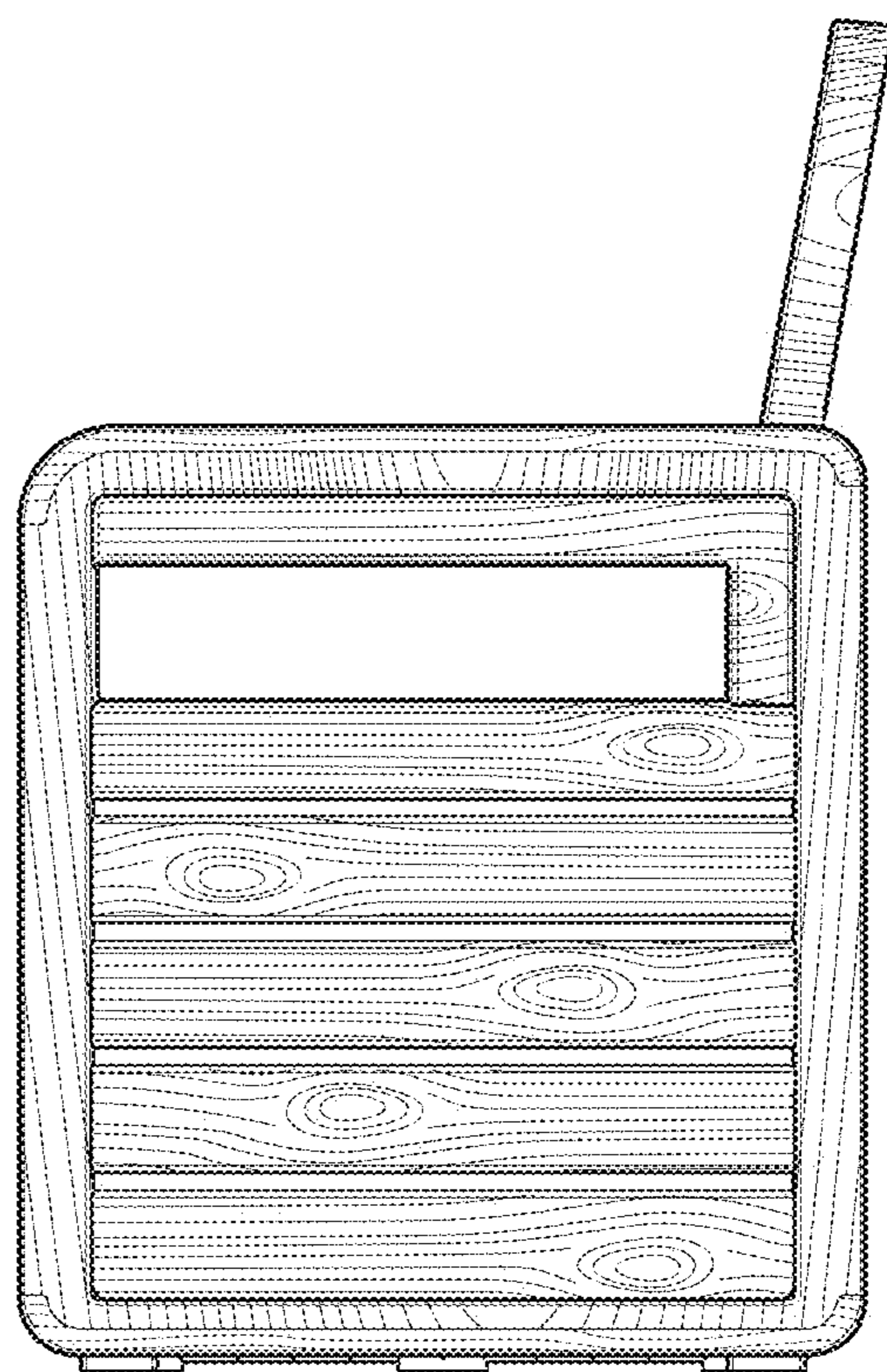
FIG. 10



*FIG. 11*

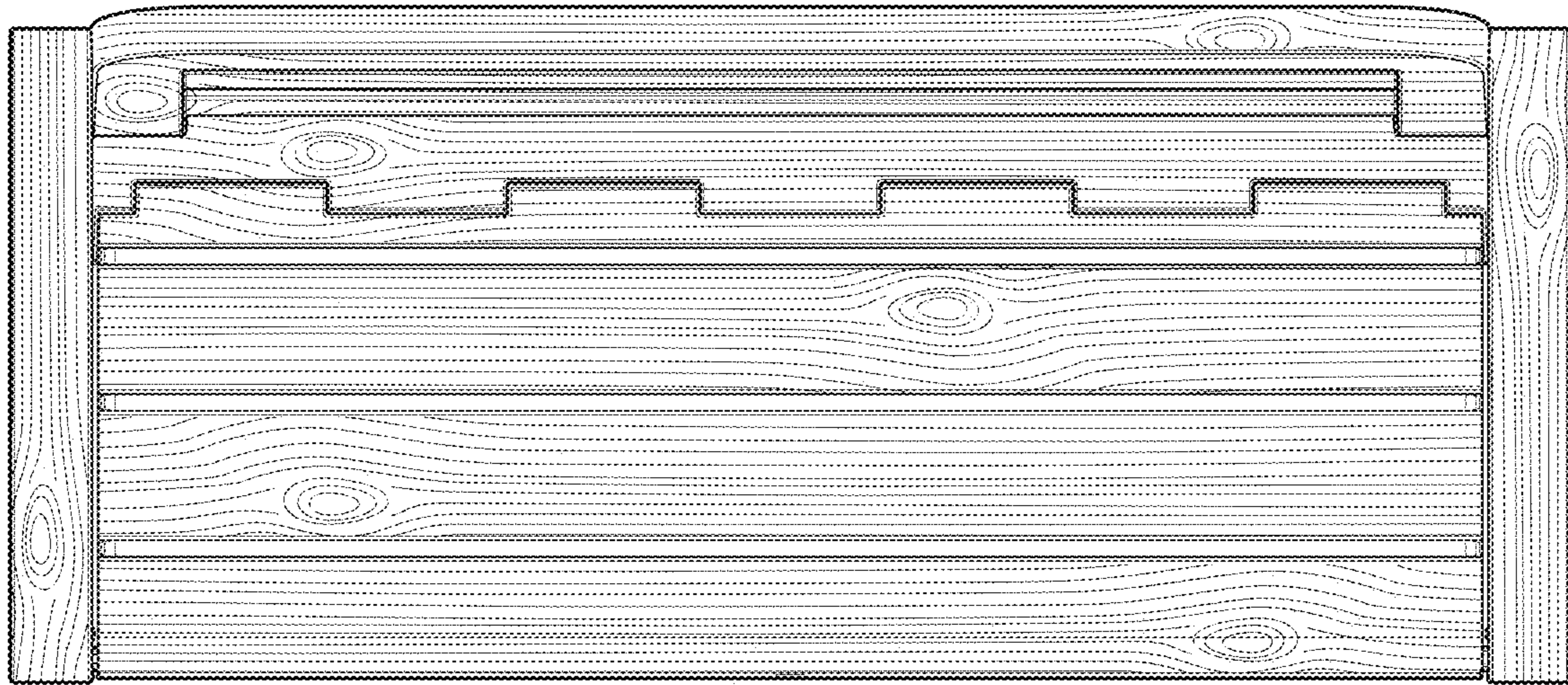


*FIG. 12*

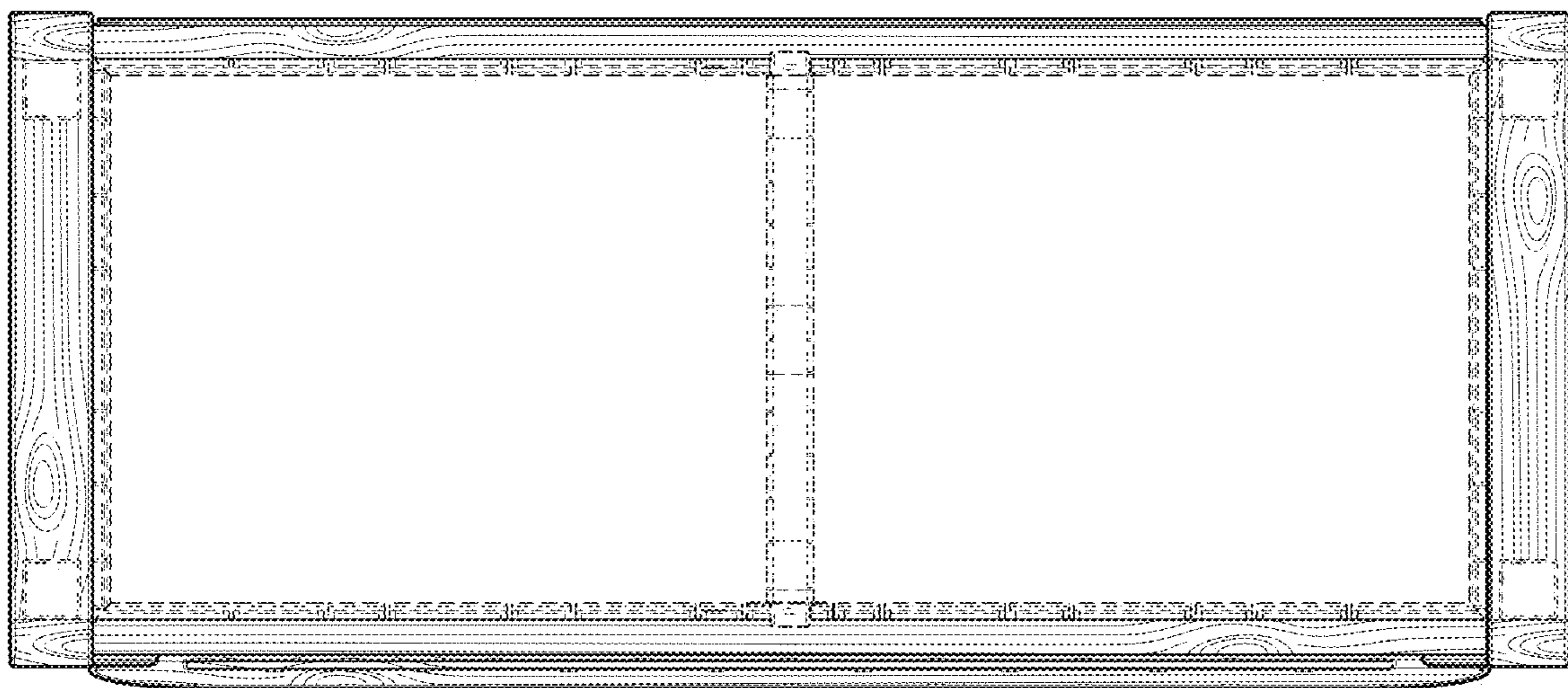


*FIG. 13*





*FIG. 14*



*FIG. 15*

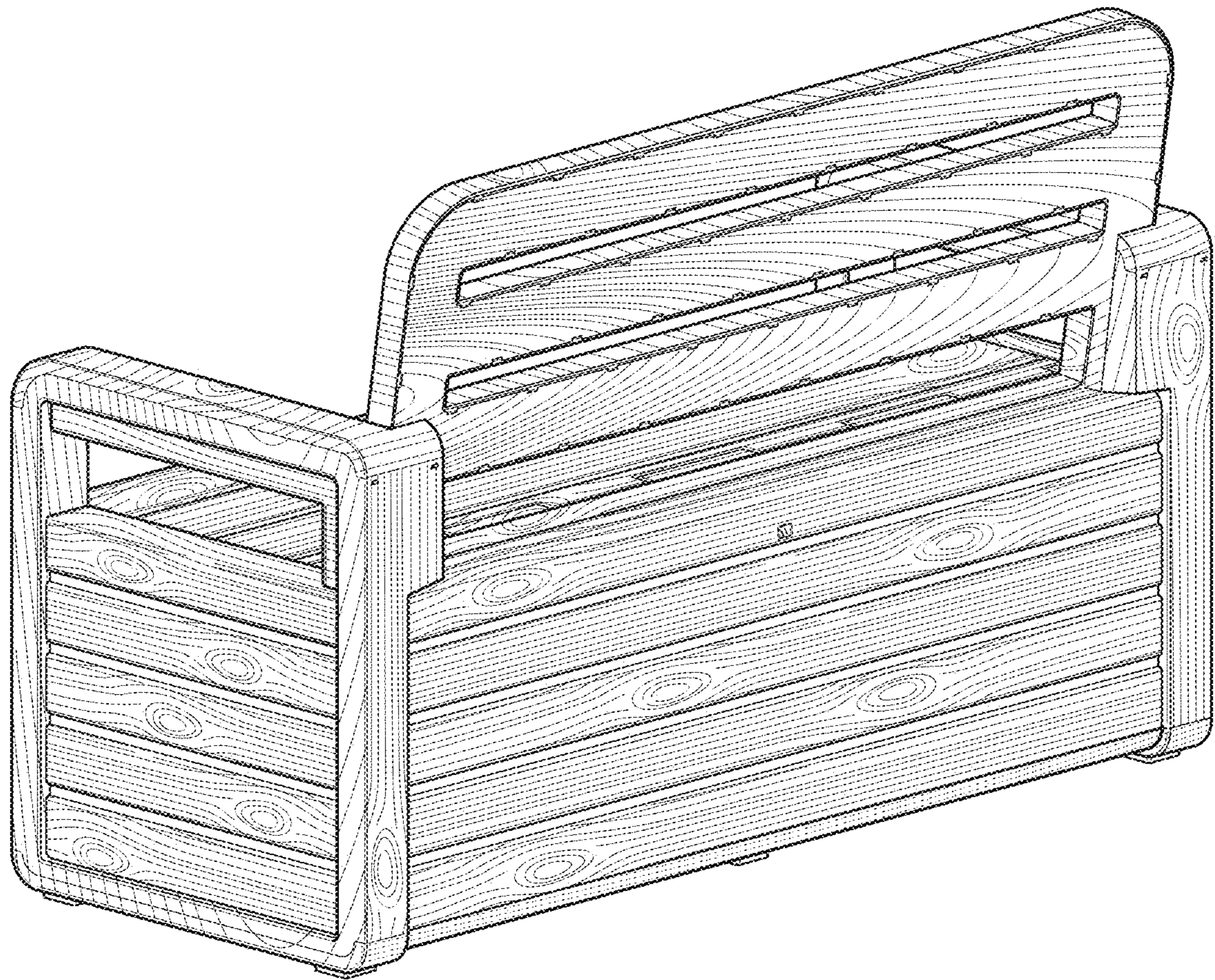


FIG. 16