



US00D914377S

(12) **United States Design Patent**
Xu

(10) **Patent No.:** **US D914,377 S**

(45) **Date of Patent:** **** Mar. 30, 2021**

(54) **BATH CHAIR**

(71) Applicant: **Mingyao Xu**, Jiangxi (CN)

(72) Inventor: **Mingyao Xu**, Jiangxi (CN)

(**) Term: **15 Years**

(21) Appl. No.: **29/745,538**

(22) Filed: **Aug. 6, 2020**

(51) **LOC (13) Cl.** **06-01**

(52) **U.S. Cl.**
USPC **D6/333**

(58) **Field of Classification Search**

USPC ... D6/333, 335, 339, 716.1-716.4, 716, 362,
D6/364, 390, 379-380; 4/572.1, 586,
4/578.1; D12/129; D21/412, 419;
280/30-31; 5/94, 98.1, 99.1, 101, 102,
5/105, 655; D23/304, 275-278, 273,
D23/280.4; D24/204-205;
297/183-183.4, 184.13, 184.15, 184.17,
297/250.1, 255, 256.1, 256.15, 256.16,
297/183.7, 445.1, 452.29, 452.63
CPC A47K 3/122; A47K 3/282; A47C 1/16;
A47C 9/06

See application file for complete search history.

(56) **References Cited**

U.S. PATENT DOCUMENTS

D320,528 S * 10/1991 Bernstein D6/333
D348,309 S * 6/1994 Freese D23/303

D382,719 S * 8/1997 Conrado D6/333
D573,800 S * 7/2008 Backstrom D6/333
D627,571 S 11/2010 Hoernig et al.
D652,221 S * 1/2012 Lee D6/333
D790,236 S * 6/2017 Desnos D6/333
D886,960 S 6/2020 Goodes et al.

* cited by examiner

Primary Examiner — Abraham Bahta

(74) *Attorney, Agent, or Firm* — ScienBiziP, P.C.

(57) **CLAIM**

The ornamental design for a bath chair, as shown and described.

DESCRIPTION

FIG. 1 is a front perspective view of a bath chair, showing my design.

FIG. 2 is a rear perspective view thereof.

FIG. 3 is a front elevation view thereof.

FIG. 4 is a rear elevation view thereof.

FIG. 5 is a left side elevation view thereof.

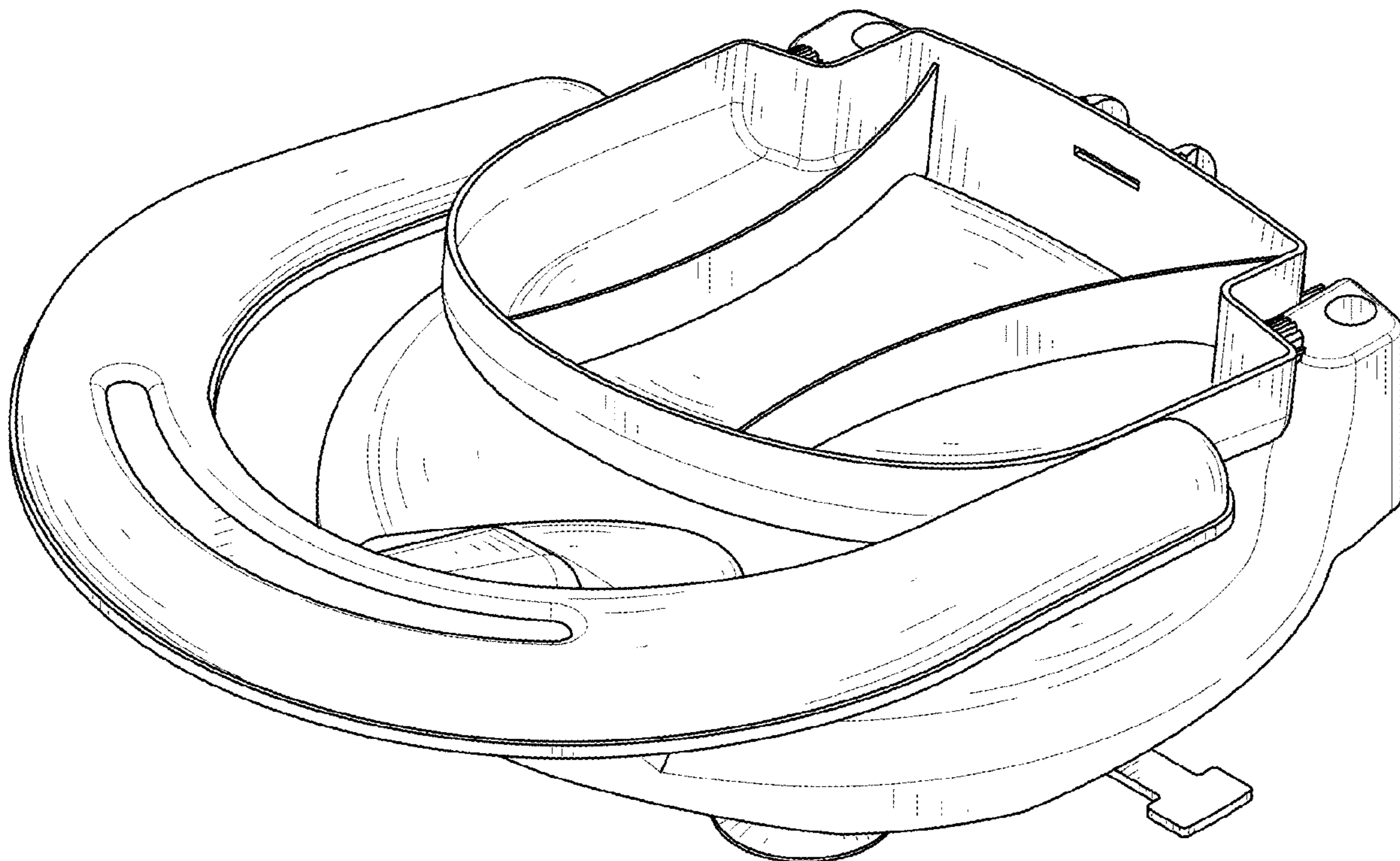
FIG. 6 is a right side elevation view thereof.

FIG. 7 is a top plan view thereof.

FIG. 8 is a bottom plan view thereof; and,

FIG. 9 is a perspective view of the bath chair folded up.

1 Claim, 9 Drawing Sheets



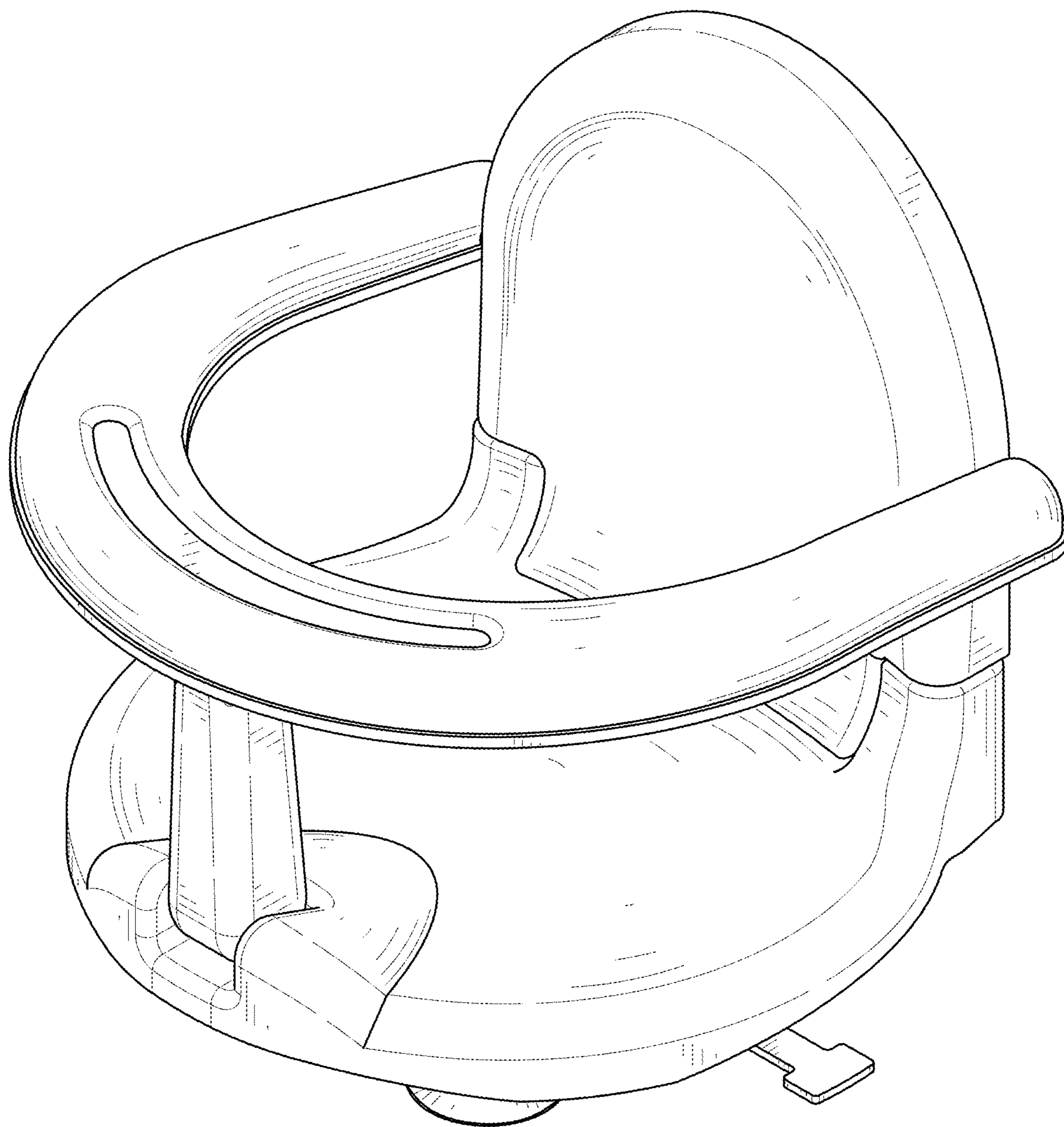


FIG. 1

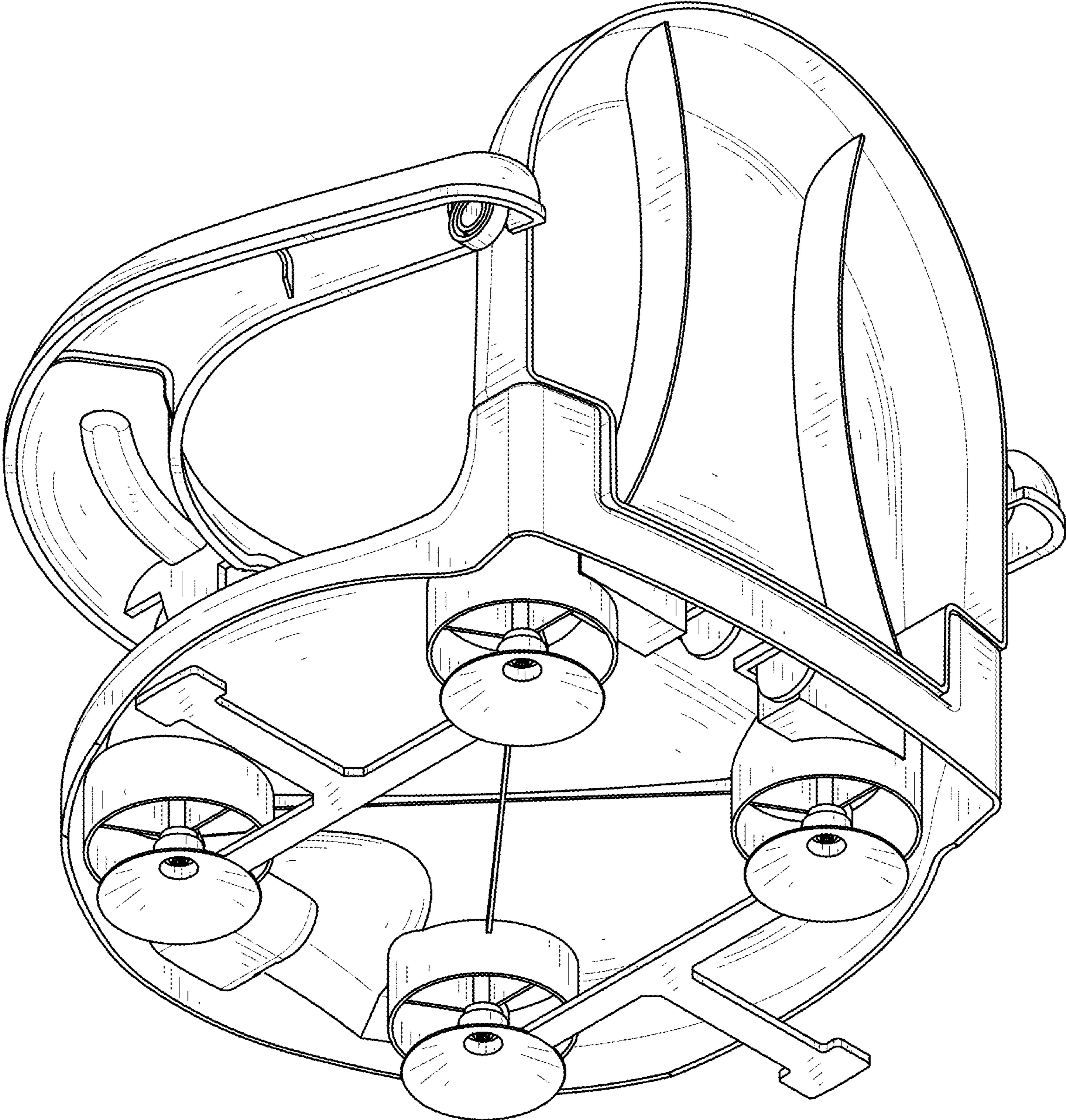


FIG. 2

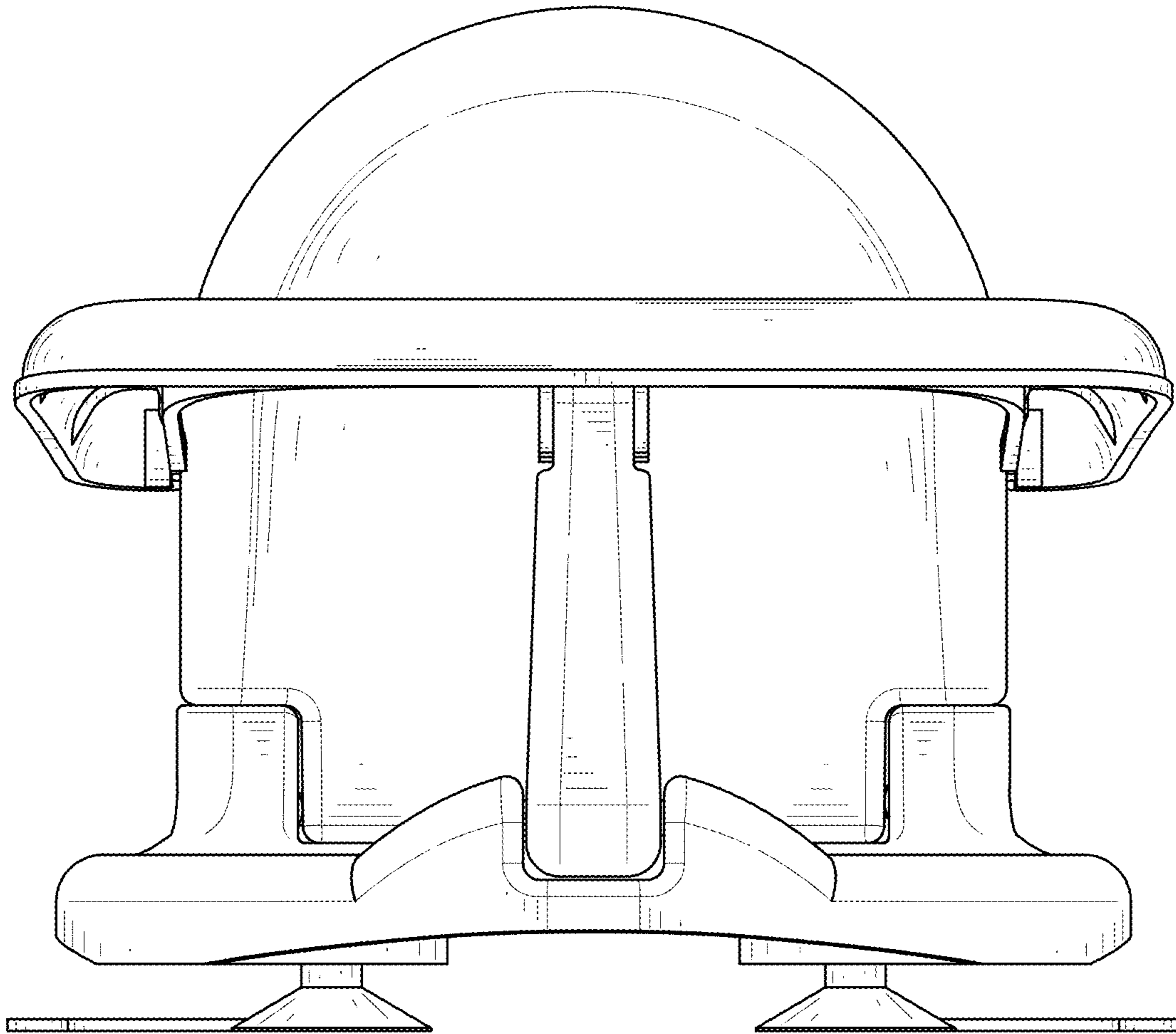


FIG. 3

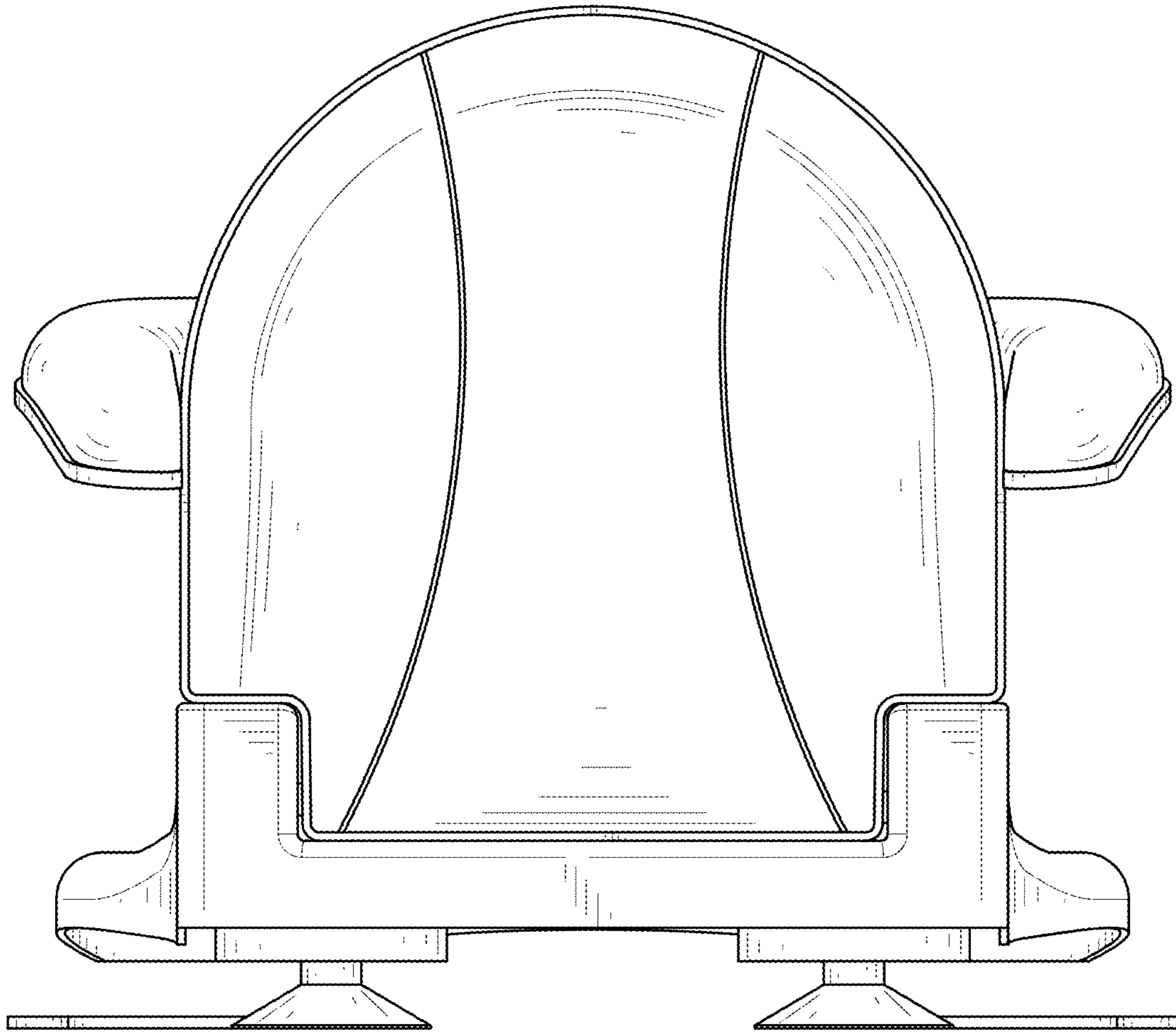


FIG. 4

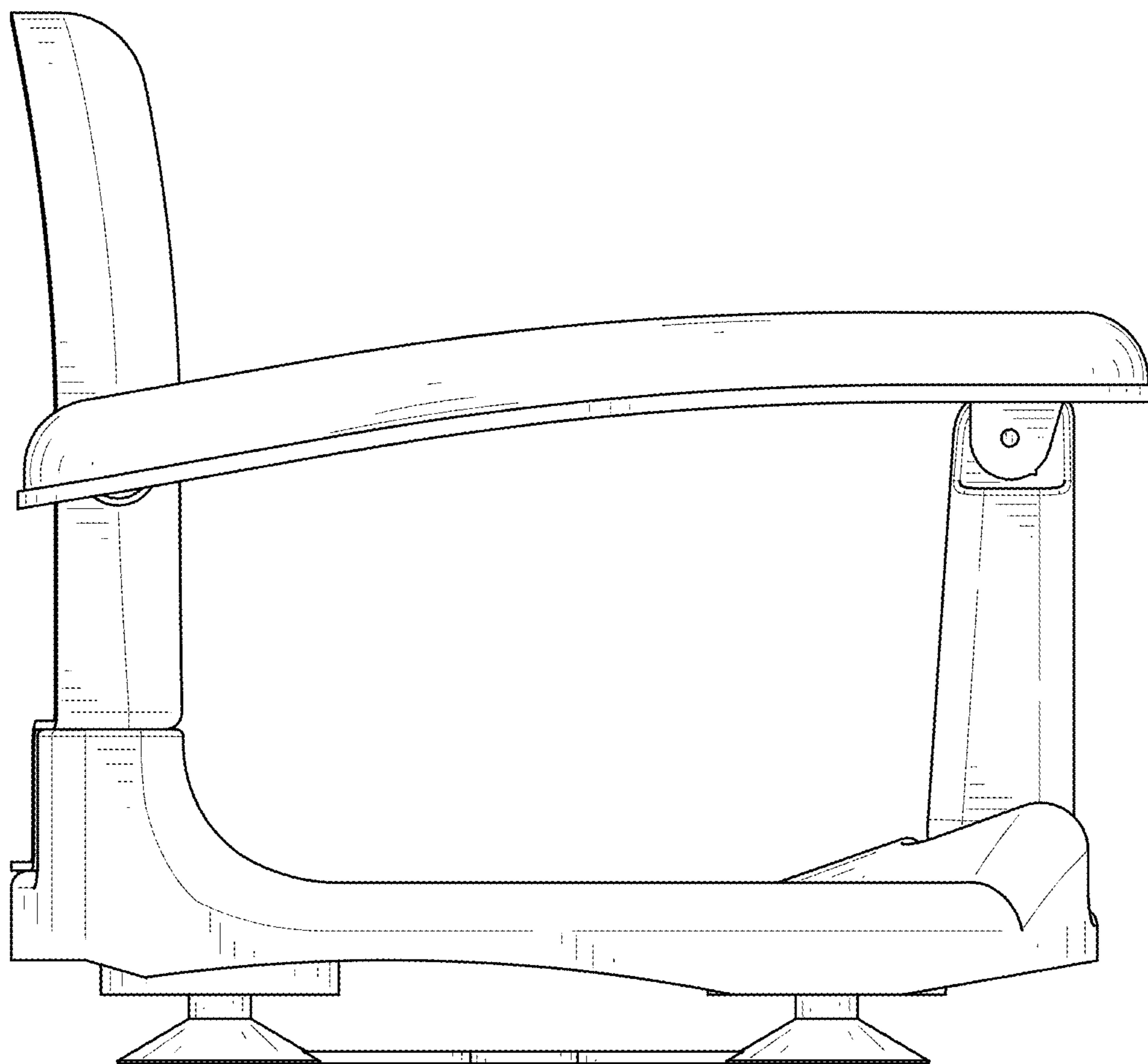


FIG. 5

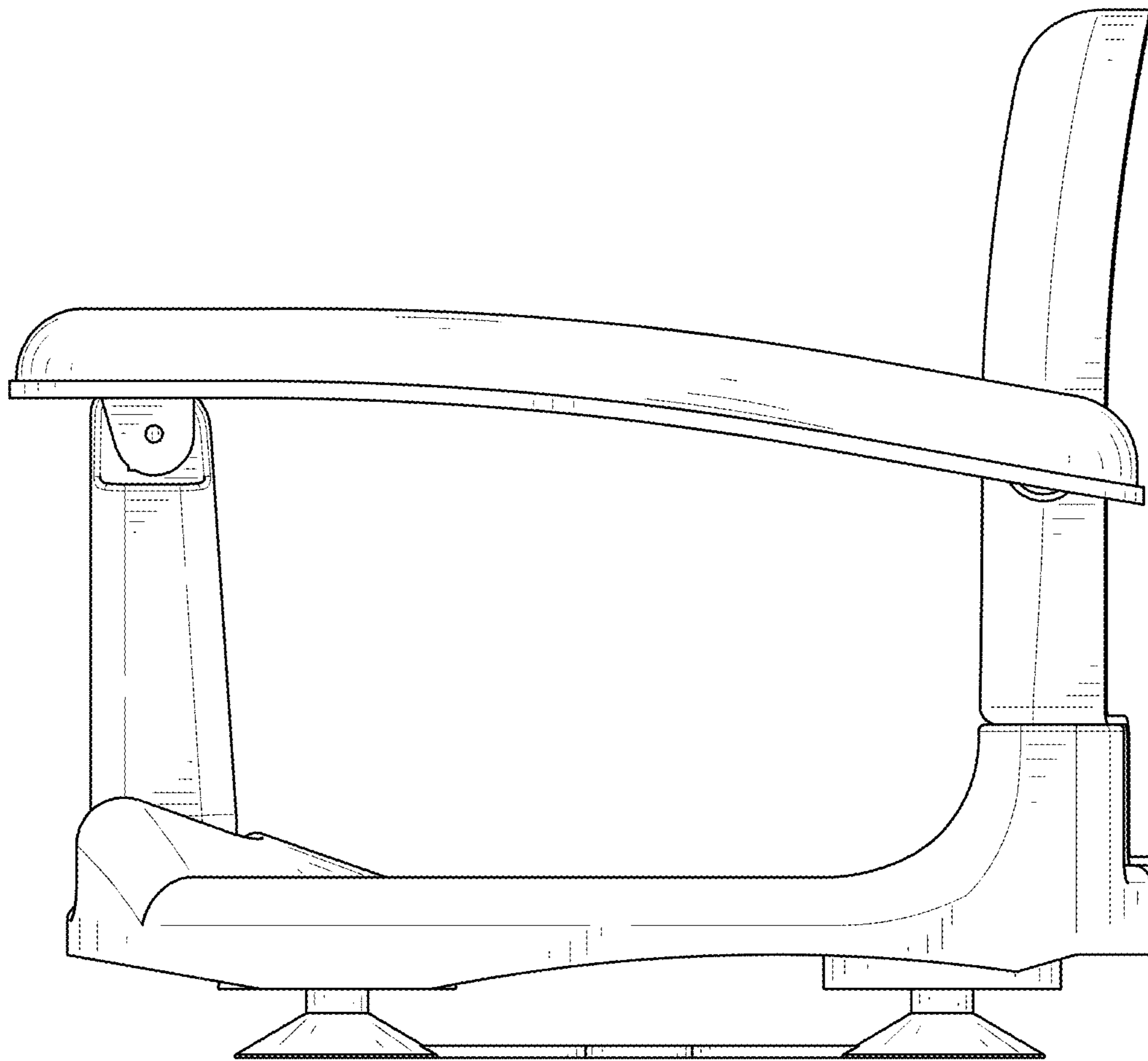


FIG. 6

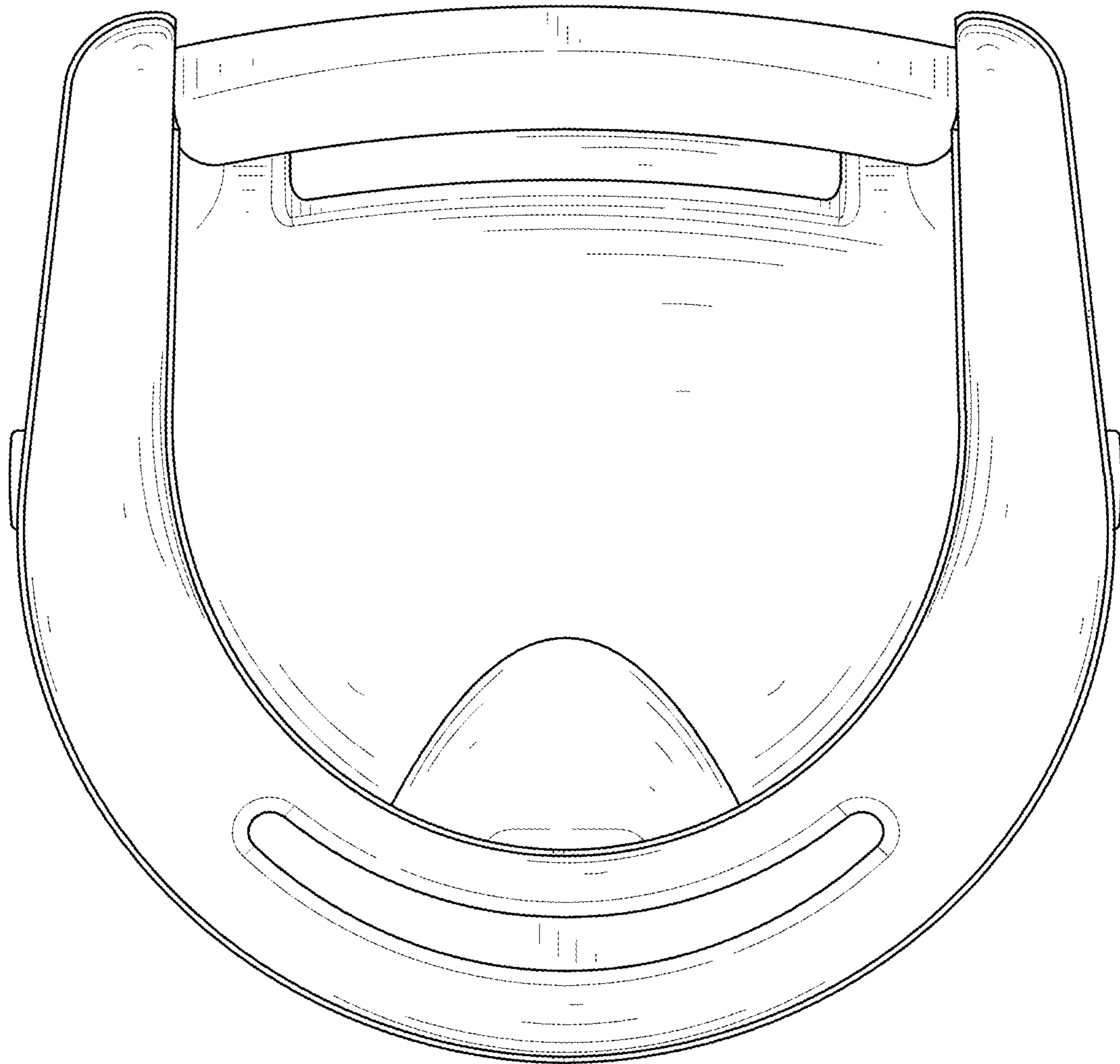


FIG. 7

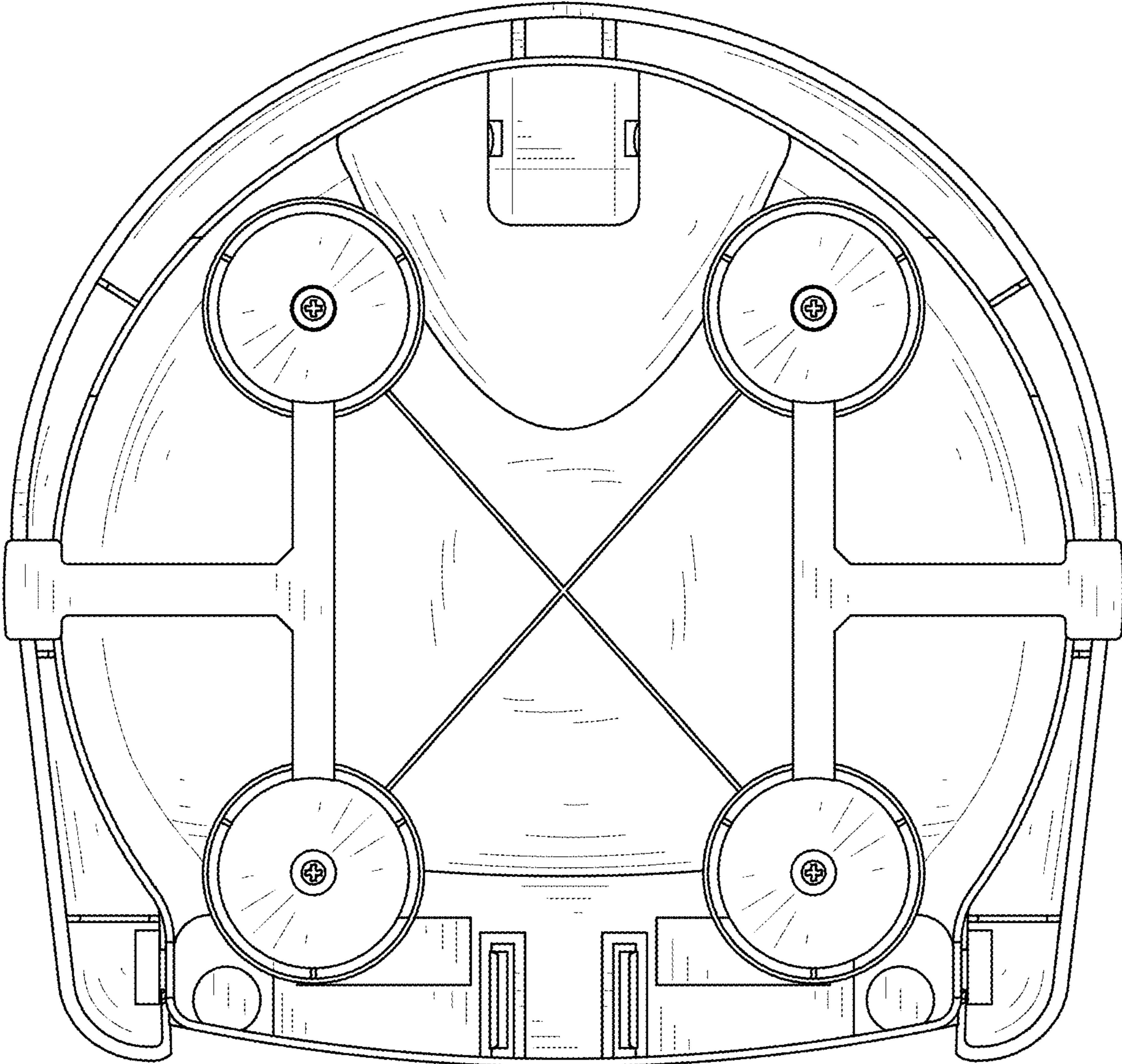


FIG. 8

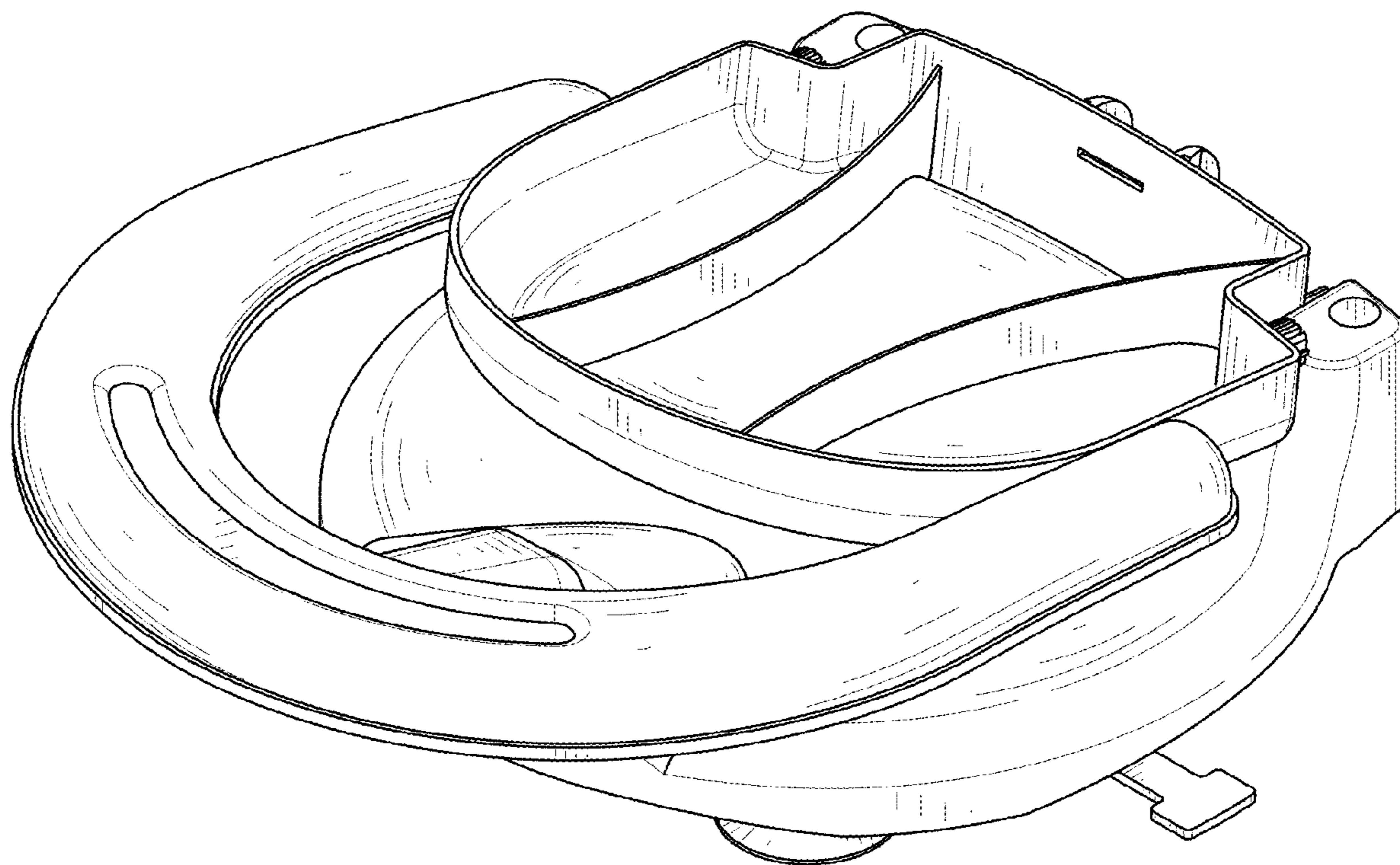


FIG. 9