



US00D914376S

(12) **United States Design Patent**
Jane Santamaria

(10) **Patent No.:** **US D914,376 S**
(45) **Date of Patent:** **** Mar. 30, 2021**

(54) **CHILD SEAT**

(71) Applicant: **JANE, S.A.**, Palau Solità I Plegamans (ES)

(72) Inventor: **Manuel Jane Santamaria**, Palau Solità I Plegamans (ES)

(73) Assignee: **JANE, S.A.**, Palau Solità I Plegamans (ES)

(**) Term: **15 Years**

(21) Appl. No.: **29/684,387**

(22) Filed: **Mar. 20, 2019**

(30) **Foreign Application Priority Data**

Sep. 21, 2018 (EM) 005652443

(51) **LOC (13) Cl.** **06-01**

(52) **U.S. Cl.**
USPC **D6/333**

(58) **Field of Classification Search**

USPC D6/333-336, 338-339, 491, 716, D6/716.1-716.7; D12/129; D21/412, D21/419; 280/30-31; 5/94, 98.1, 99.1, 5/101, 105, 655; 297/183.1-183.4, 297/184.13, 184.15, 184.17, 250.1, 256.1, 297/255, 256.15, 256.16, 174 R, 174 CS, 297/170-173, 136, 148, 27, 61, 68; 4/572.1
CPC A47D 13/02; A47D 13/10; A47D 1/00; A47D 1/002; A47D 1/004; B60N 2/22; B60N 2/24; A47C 7/021; A47C 7/022; A47C 7/002; A47C 7/18; A47C 7/24; A47C 3/00; A47C 3/02; A47C 3/025; A47C 3/20; A47C 1/00; A47C 1/02; A47C 1/04; A47C 1/06

See application file for complete search history.

(56) **References Cited**

U.S. PATENT DOCUMENTS

D746,072 S *	12/2015	Haley	D6/333
9,321,377 B2	4/2016	Jane Santamaria	
D778,627 S *	2/2017	Stroikov	D6/333
D812,915 S	3/2018	Jane Santamaria	
D825,207 S *	8/2018	Imrich	D6/333
D855,335 S *	8/2019	Lin	D6/333
D876,111 S *	2/2020	Imrich	D6/333

* cited by examiner

Primary Examiner — Abraham Bahta

(74) *Attorney, Agent, or Firm* — Thomas E. Lees, LLC

(57) **CLAIM**

The ornamental design for a child seat, as shown and described.

DESCRIPTION

FIG. 1 is a perspective view of a child seat in a first “rear-facing” position with a support leg shown in an open position;

FIG. 2 is a right side elevational view of the child seat;

FIG. 3 is a left side elevational view of the child seat;

FIG. 4 is a front side elevational view of the child seat;

FIG. 5 is a rear side elevational view of the child seat;

FIG. 6 is a top plan view of the child seat;

FIG. 7 is a perspective view of the child seat in a second “forward-facing” position with the support leg in a closed position;

FIG. 8 is a right side elevational view of the child seat;

FIG. 9 is a left side elevational view of the child seat;

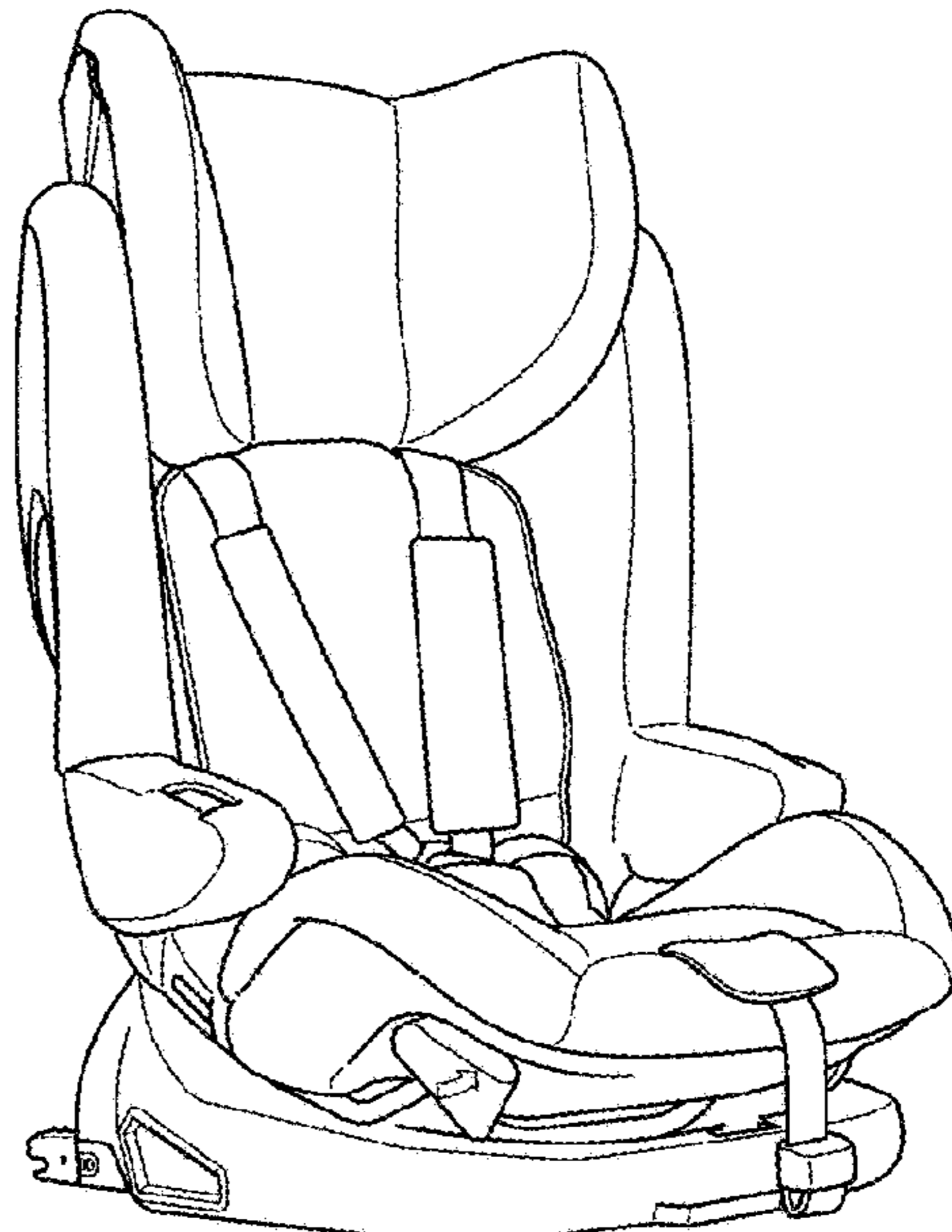
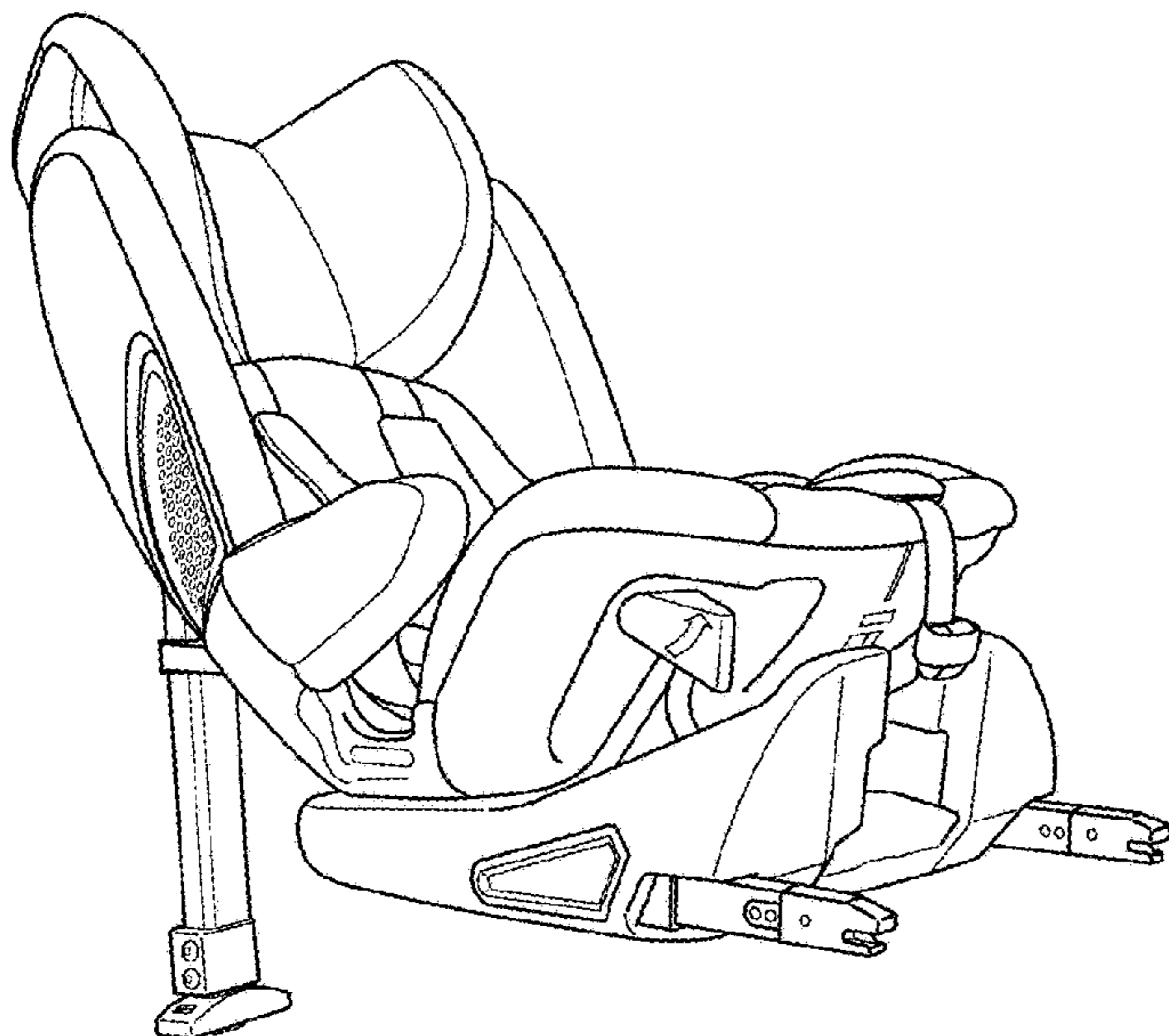
FIG. 10 is a front side elevational view of the child seat;

FIG. 11 is a rear side elevational view of the child seat; and,

FIG. 12 is a top plan view of the child seat.

The bottom of each car seat is not seen during use and therefore does not form a part of the claimed invention.

1 Claim, 12 Drawing Sheets



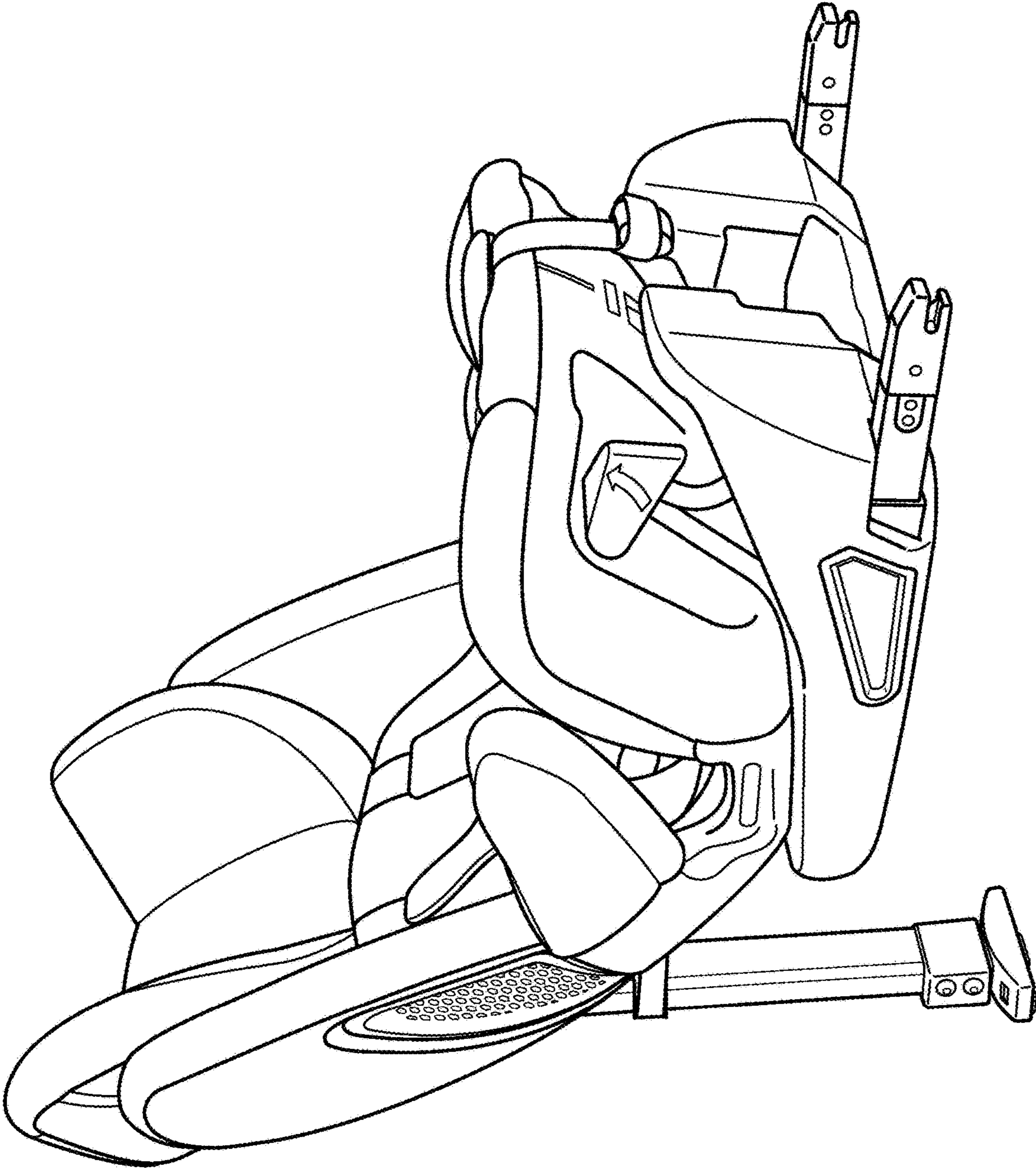


FIG. 1

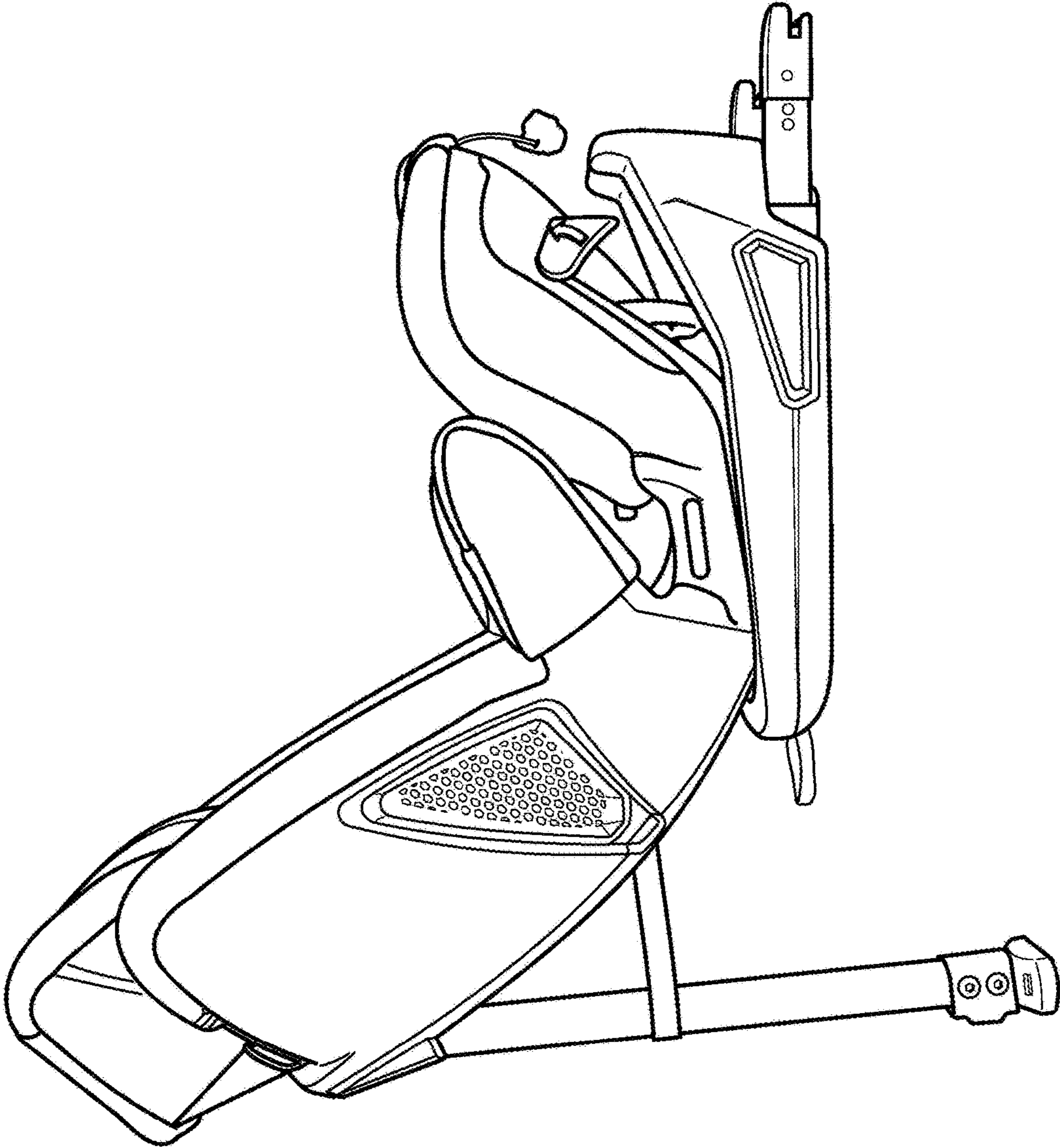


FIG. 2

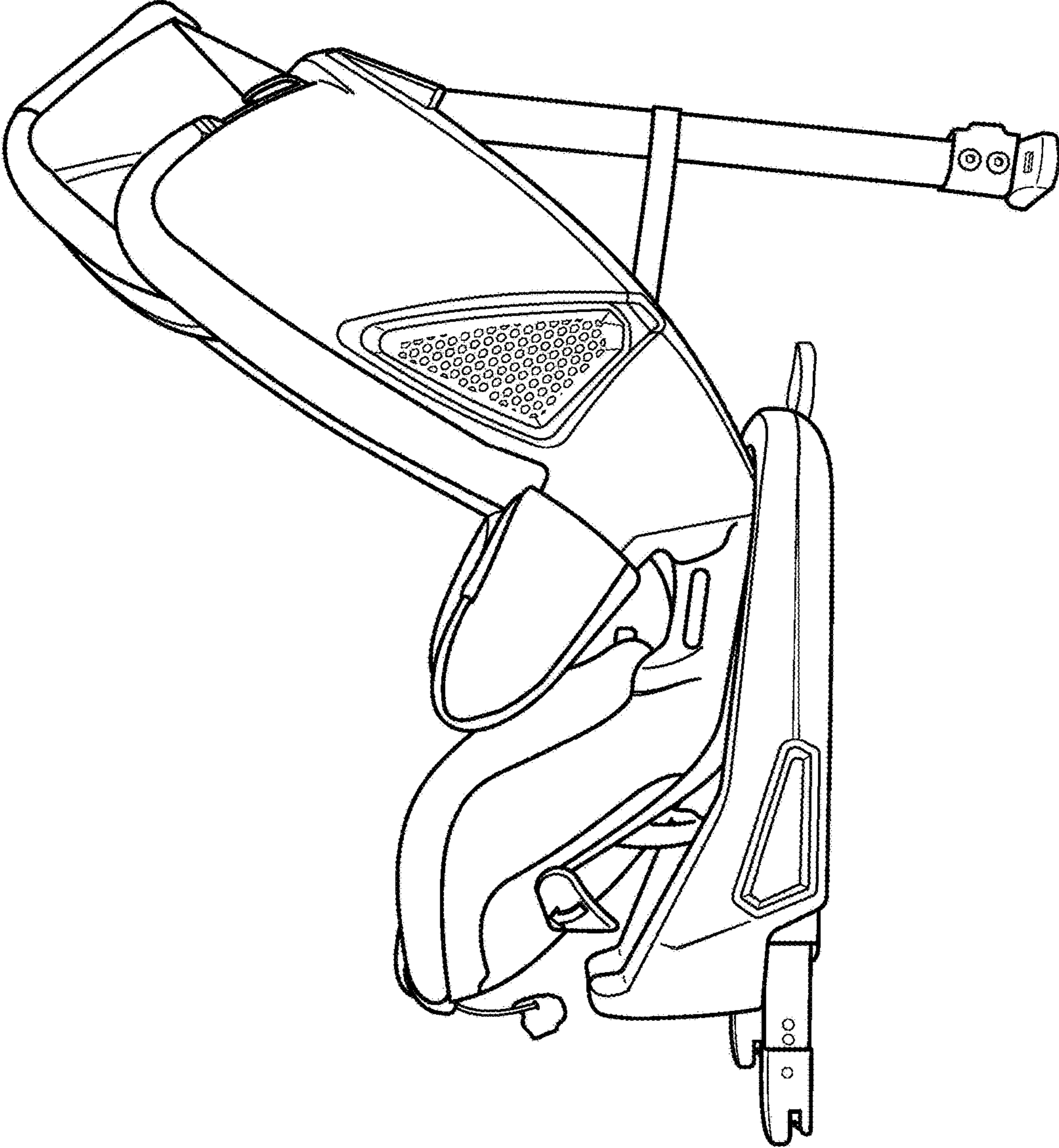


FIG. 3

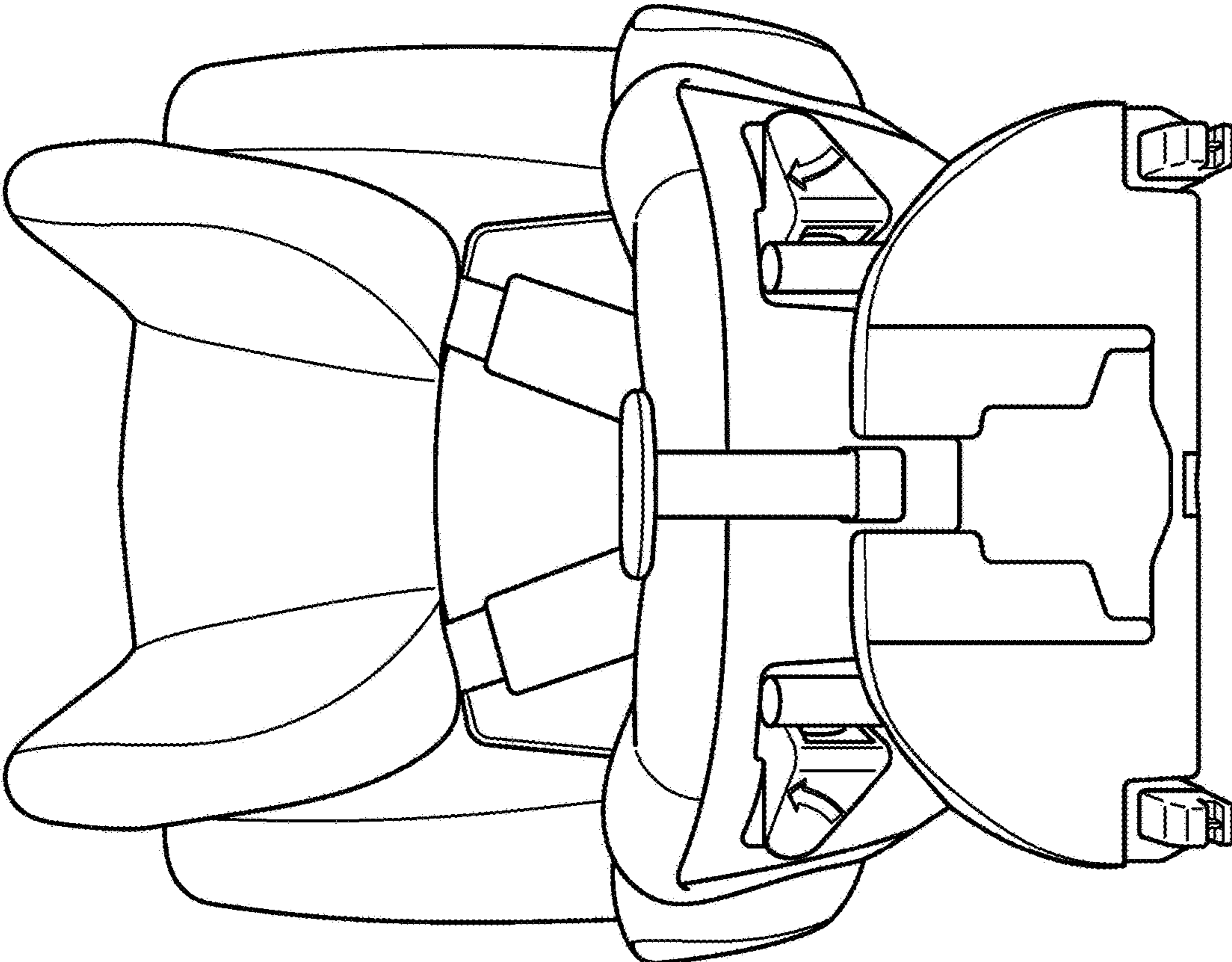


FIG. 4

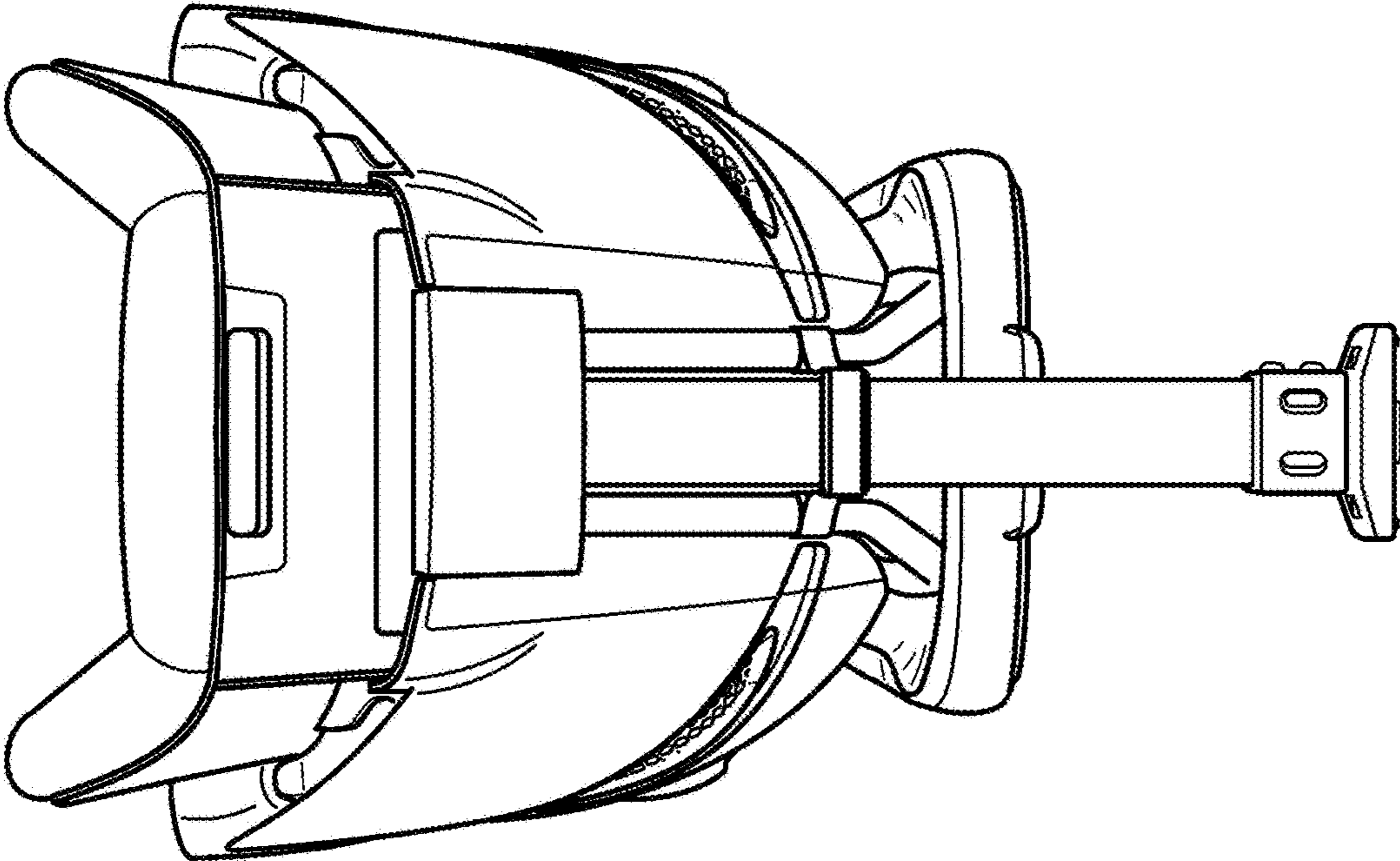


FIG. 5

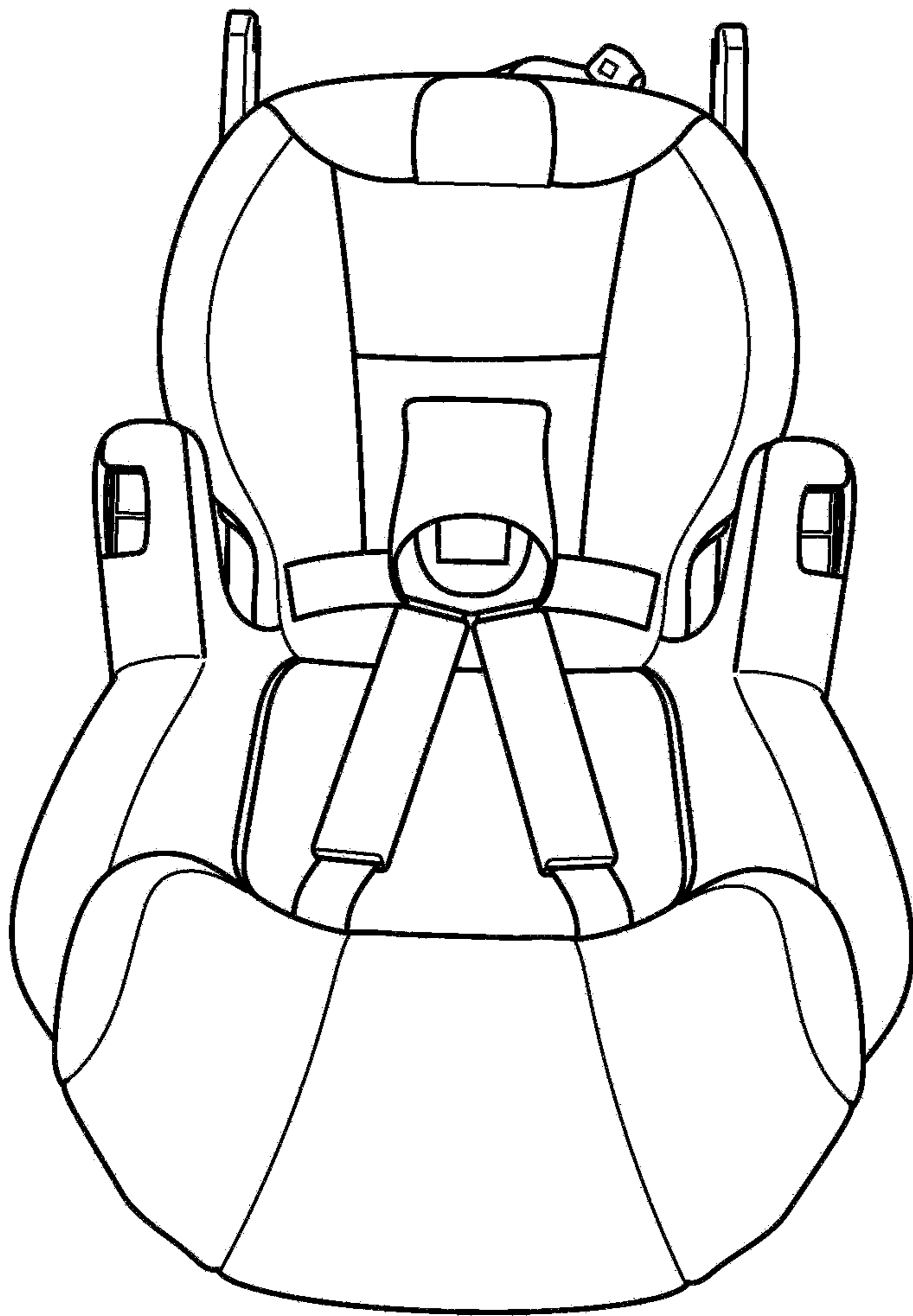


FIG. 6



FIG. 7

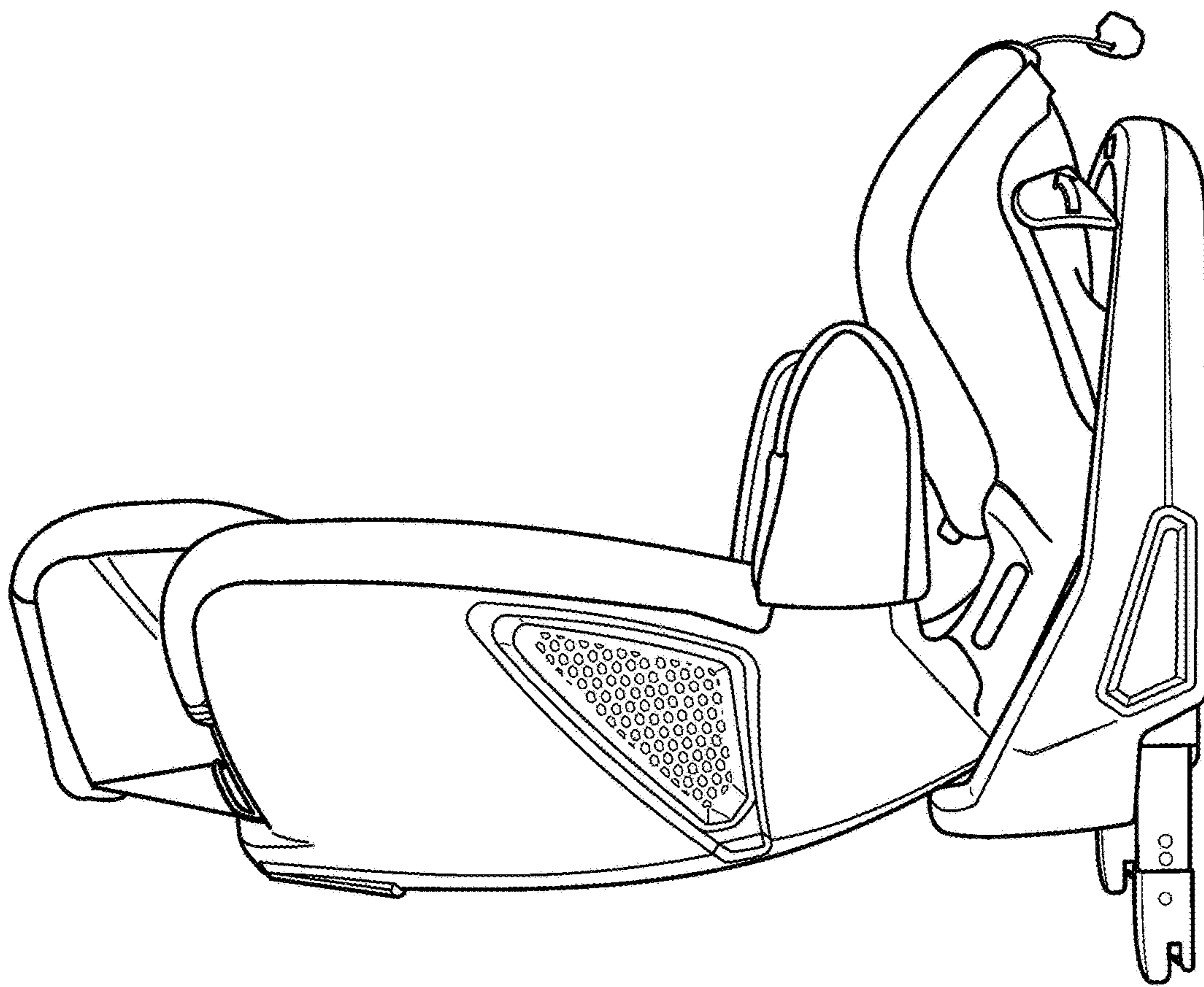


FIG. 8

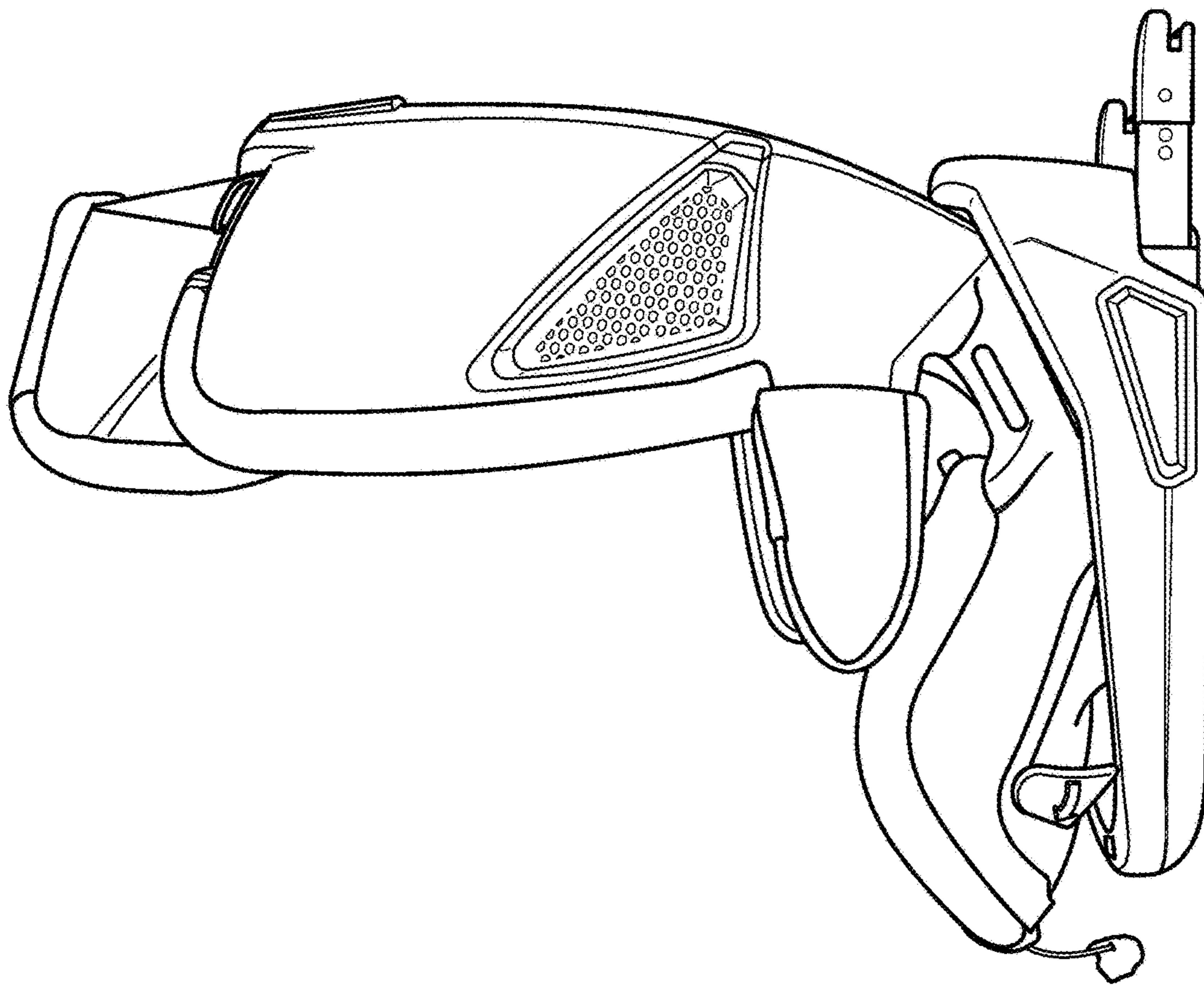


FIG. 9

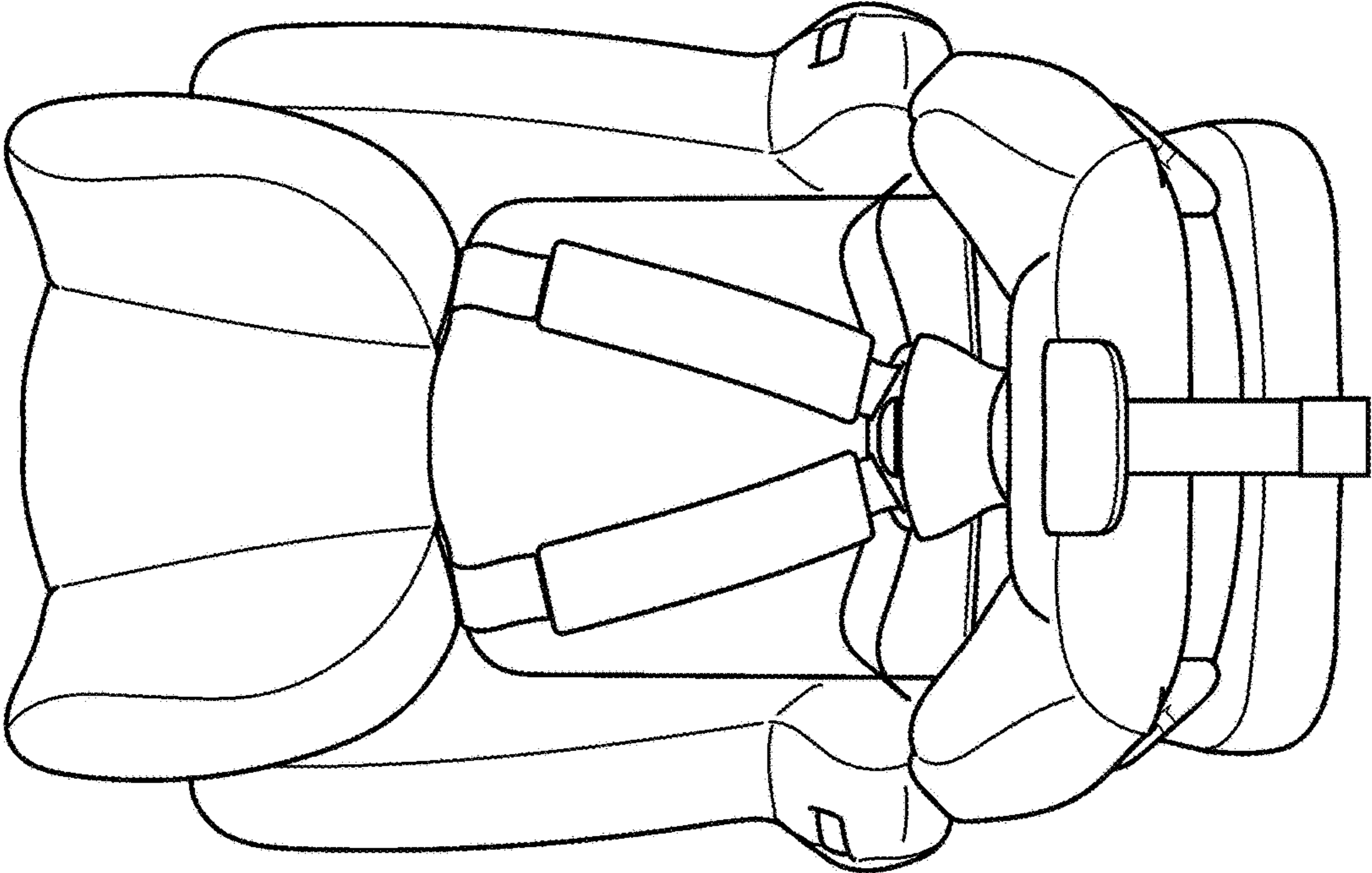


FIG. 10

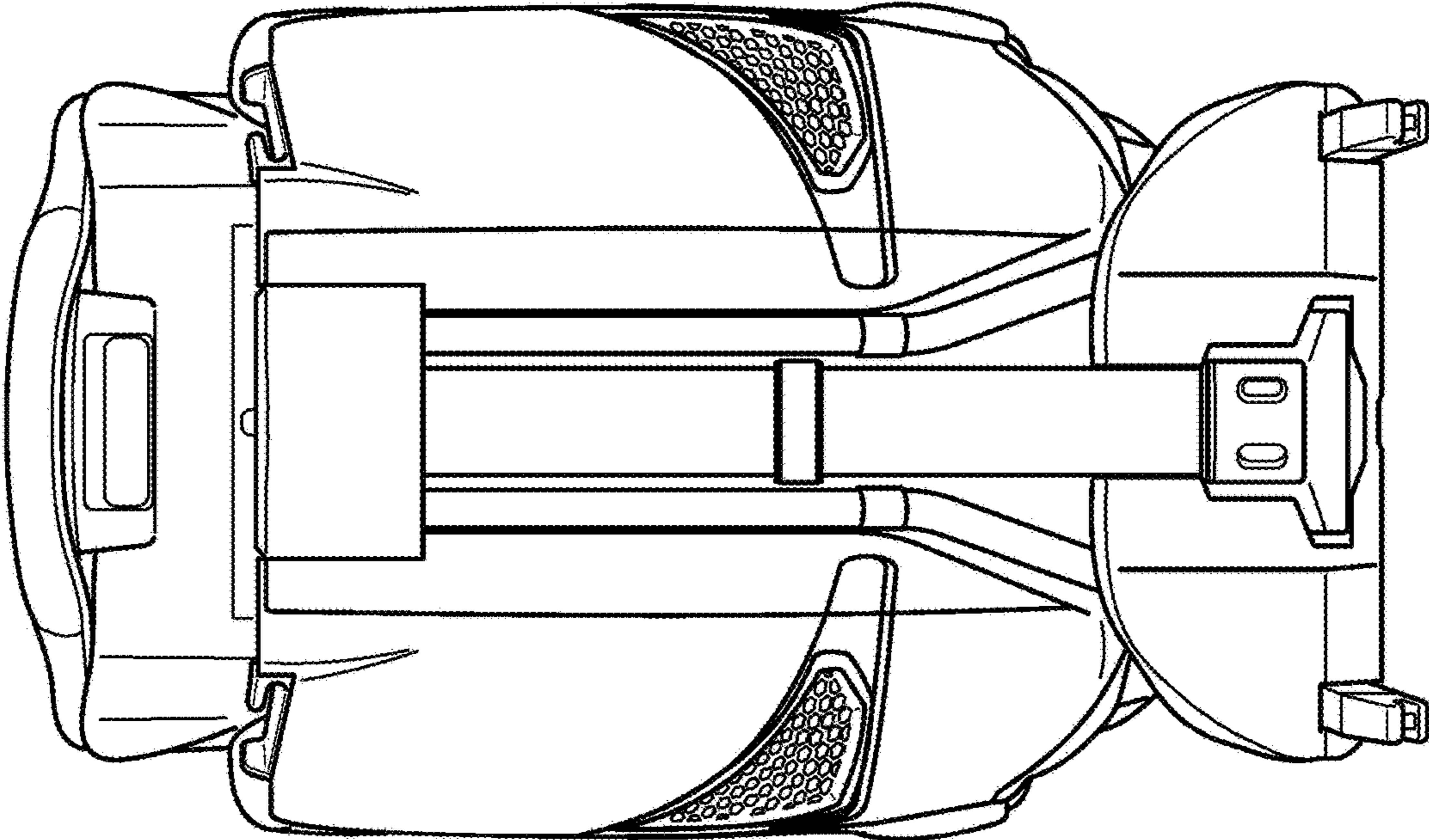


FIG. 11

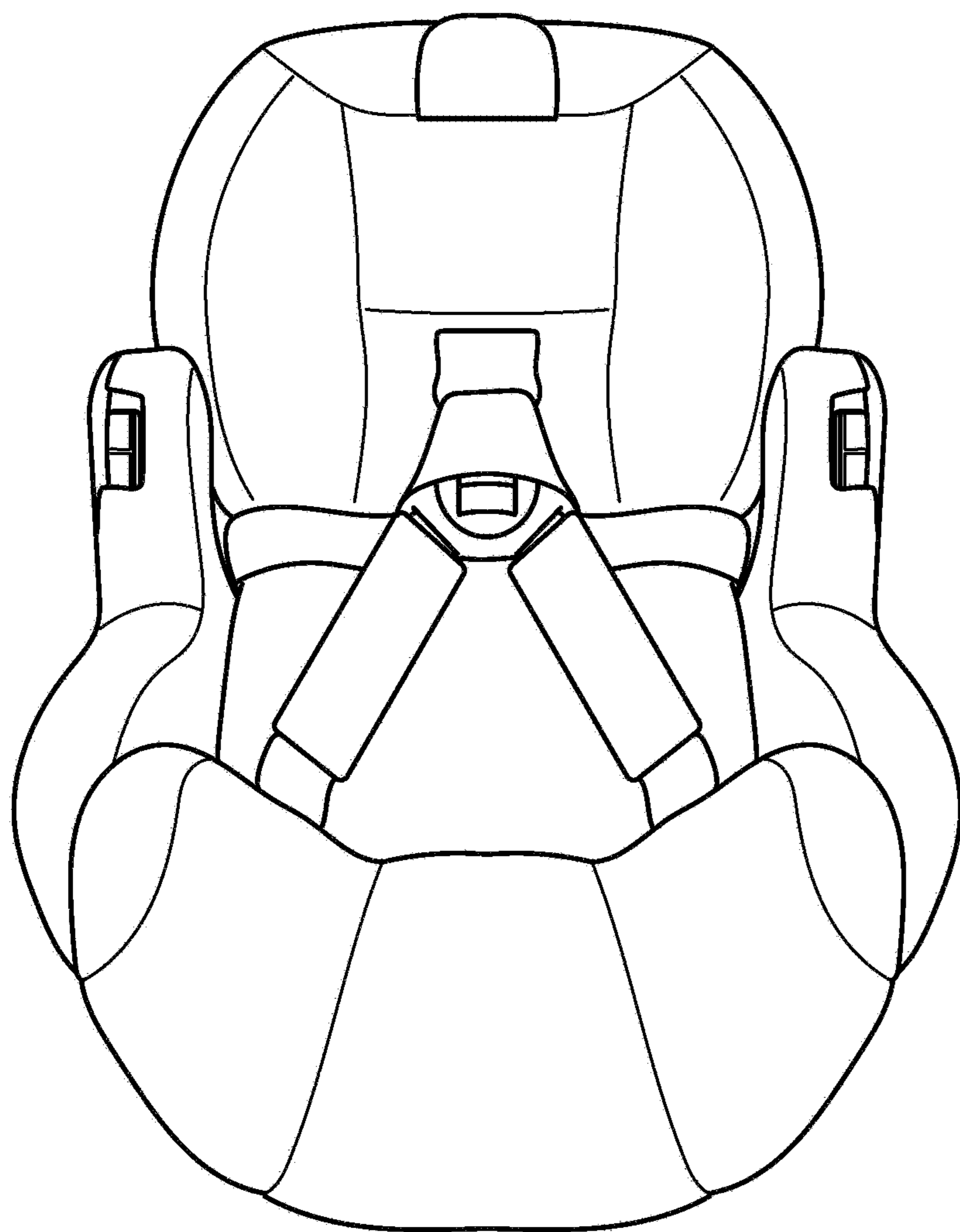


FIG. 12