



US00D914374S

(12) **United States Design Patent**
Cavazos, Jr.

(10) **Patent No.:** **US D914,374 S**
(45) **Date of Patent:** **** Mar. 30, 2021**

(54) **HANGER**

(71) Applicant: **Urbano Cavazos, Jr.**, Corpus Christi,
TX (US)

(72) Inventor: **Urbano Cavazos, Jr.**, Corpus Christi,
TX (US)

(**) Term: **15 Years**

(21) Appl. No.: **29/708,280**

(22) Filed: **Oct. 4, 2019**

(51) **LOC (13) Cl.** **06-08**

(52) **U.S. Cl.**
USPC **D6/319**

(58) **Field of Classification Search**
USPC D6/315-328
CPC A47G 25/26; A47G 25/28; A47G 25/30;
A47G 25/32; A47G 25/34; A47G 25/36;
A47G 25/38; A47G 25/442; A47G
25/625; A47G 25/743; A47G 25/1407;
A47G 25/1457; A47G 2025/1492; A47F
7/18; A47F 7/19; A47F 7/22
See application file for complete search history.

(56) **References Cited**

U.S. PATENT DOCUMENTS

- D191,557 S * 10/1961 Oliver D6/315
- 3,055,565 A * 9/1962 Hollingsworth A47G 25/483
223/91
- D279,627 S * 7/1985 Morin D6/315
- D281,036 S * 10/1985 Martin, Jr. D6/315
- 4,673,114 A * 6/1987 Douglas A47G 25/442
223/89

- D297,484 S * 9/1988 Fan D6/315
- D298,185 S * 10/1988 Mackie D6/318
- D303,862 S * 10/1989 Henderson D32/64
- D384,825 S * 10/1997 Hooworth D6/319
- 6,286,734 B1 * 9/2001 Schneider A47G 25/487
223/91
- D563,683 S * 3/2008 Barker D6/319
- 9,492,021 B2 * 11/2016 Kebreau A47F 7/065

* cited by examiner

Primary Examiner — Lauren R Calve

(74) *Attorney, Agent, or Firm* — Tatonetti IP

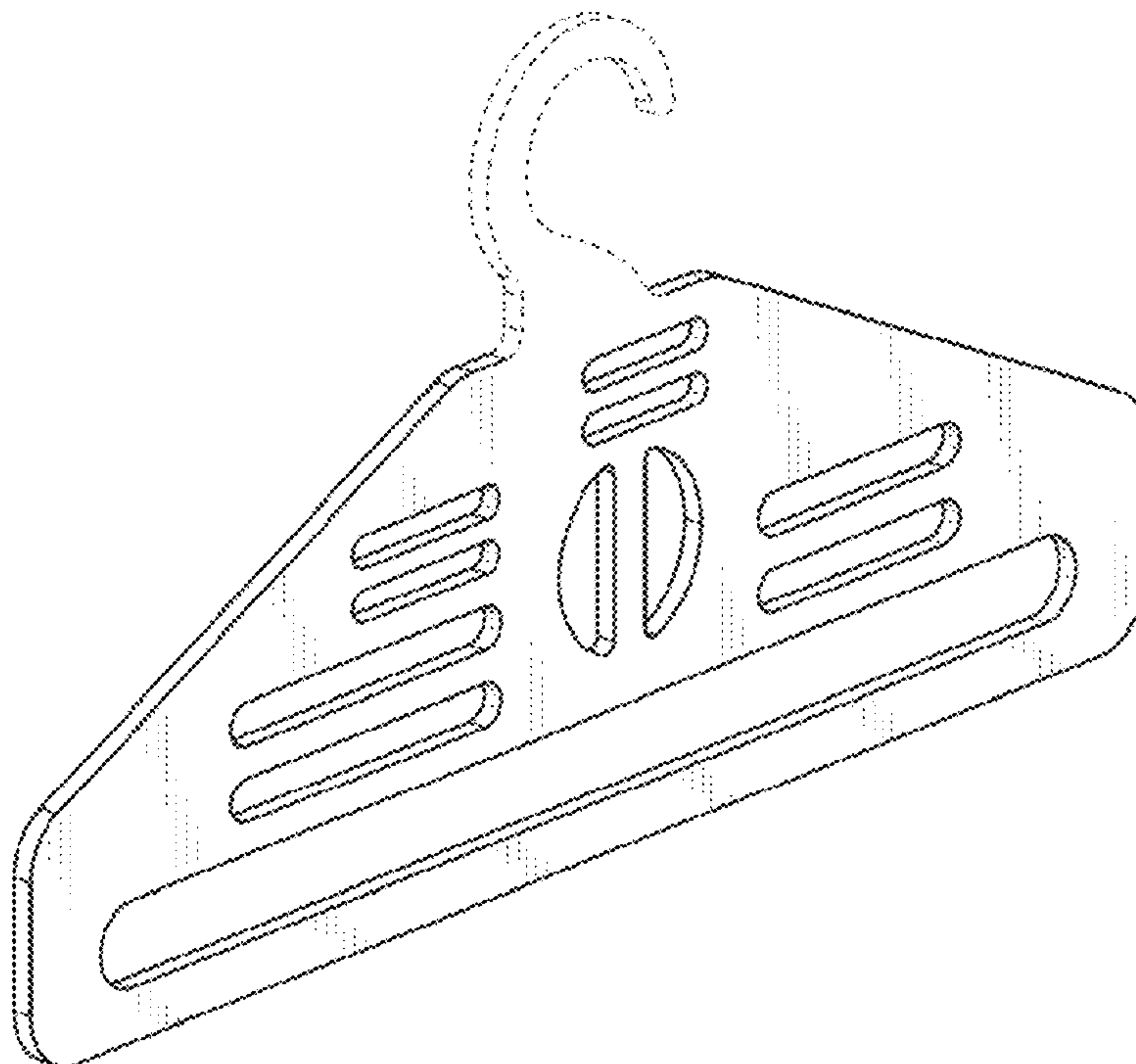
(57) **CLAIM**

I claim the ornamental design for a hanger, as shown and described.

DESCRIPTION

FIG. 1 is a perspective view of a hanger;
 FIG. 2 is a front side view thereof;
 FIG. 3 is a rear side view thereof;
 FIG. 4 is a top side view thereof;
 FIG. 5 is a bottom side view thereof;
 FIG. 6 is a left side view thereof;
 FIG. 7 is a right side view thereof; and,
 FIG. 8 is a perspective view showing environmental features depicting exemplary uses of the hanger.
 Broken lines, such as those depicted in FIGS. 1-4 and 6-8, are environmental only and form no part of the claimed design. The environmental features in FIG. 8 show sleeves on both arms of the hanger that can be used to accommodate jackets, coats, and the like, and the piece of apparel (a bag) hanging from the bottom opening of the hanger is an example of items that can be used on the hanger, all of which form no part of the claimed design.

1 Claim, 8 Drawing Sheets



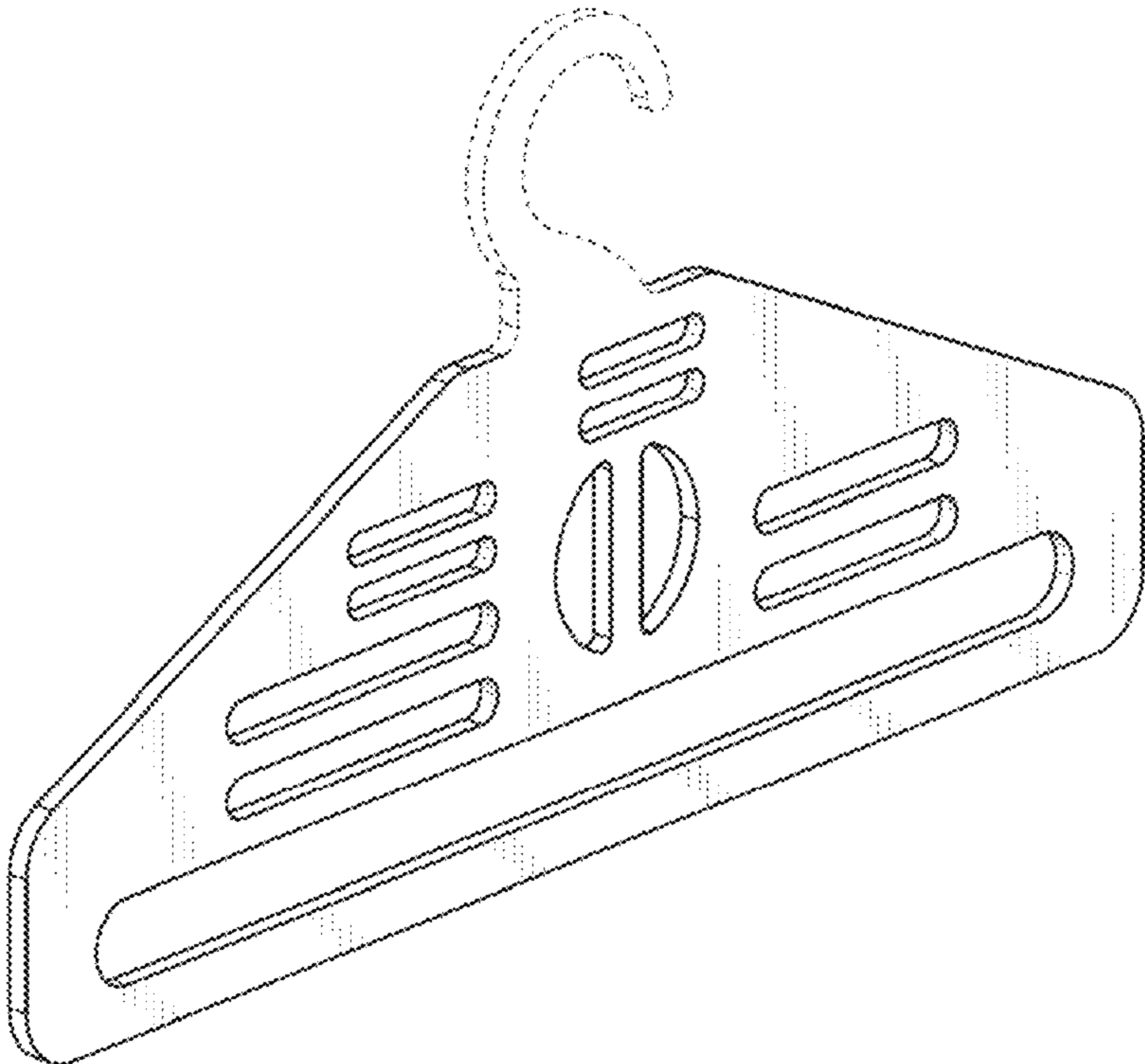


FIG. 1

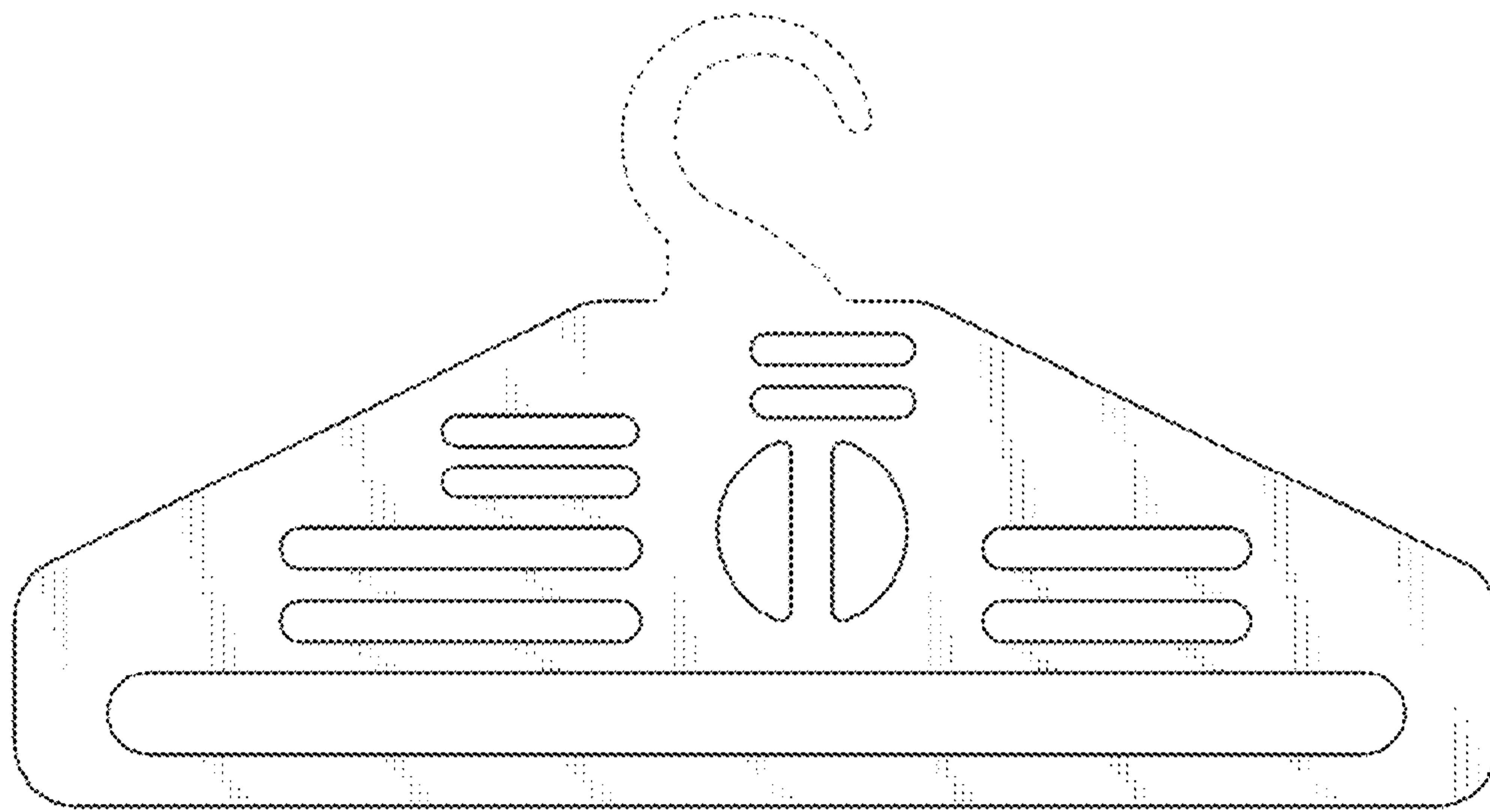


FIG. 2

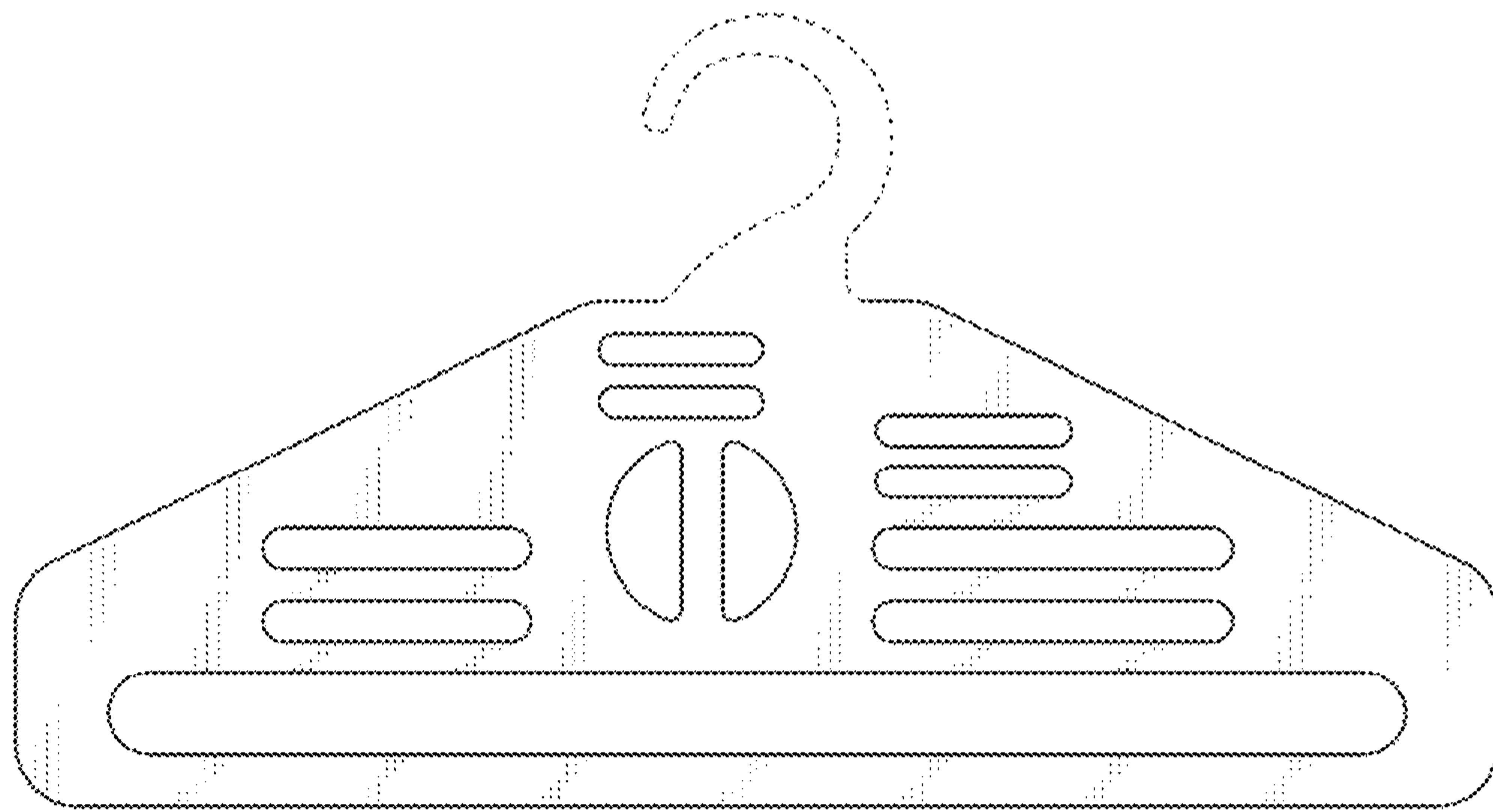


FIG. 3

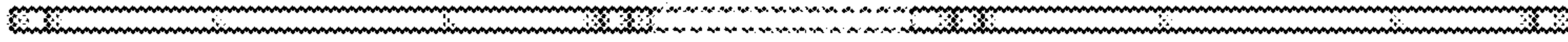


FIG. 4

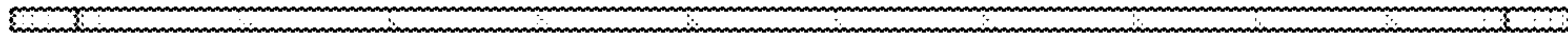


FIG. 5



FIG. 6

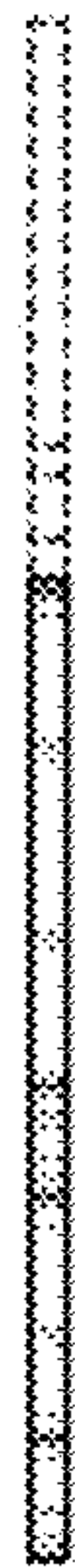


FIG. 7

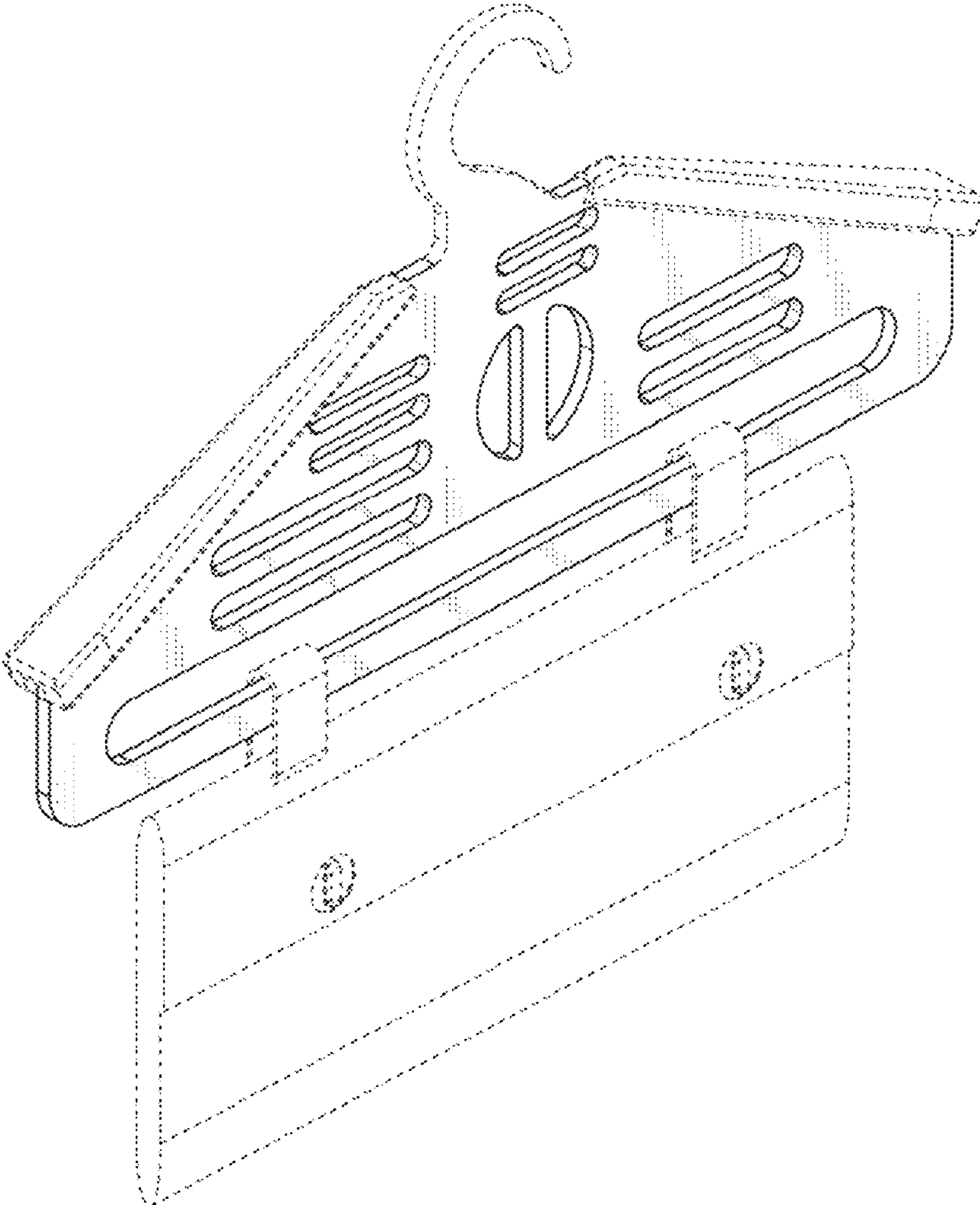


FIG. 8