

US00D914368S

(12) **United States Design Patent** (10) **Patent No.:** **US D914,368 S**
Gruenbeck (45) **Date of Patent:** **** Mar. 30, 2021**

(54) **LID**

(71) Applicant: **Autostore Technology AS**, Nedre Vats (NO)

(72) Inventor: **Uwe Gruenbeck**, Nedre Vats (NO)

(**) Term: **15 Years**

(21) Appl. No.: **35/506,353**

(22) Filed: **Aug. 26, 2018**

(80) **Hague Agreement Data**

Int. Filing Date: **Aug. 26, 2018**

Int. Reg. No.: **DM/200100**

Int. Reg. Date: **Aug. 26, 2018**

Int. Reg. Pub. Date: **Mar. 1, 2019**

(30) **Foreign Application Priority Data**

Jun. 6, 2018 (NO) 20180518

(51) **LOC (13) Cl.** **03-01**

(52) **U.S. Cl.**
USPC **D3/323**

(58) **Field of Classification Search**

USPC D3/273, 318, 323
CPC .. A45C 5/00; A45C 5/04; A45C 11/00; A45C 11/16

See application file for complete search history.

(56) **References Cited**

U.S. PATENT DOCUMENTS

D378,025 S *	2/1997	Perelli	D3/318
D391,397 S *	3/1998	Calmeise	D3/323
D477,146 S *	7/2003	Hwang	D3/323
D646,061 S *	10/2011	Chang	D3/288

* cited by examiner

Primary Examiner — Holly E Thurman

(57) **CLAIM**

The ornamental design for a lid, as shown and described.

DESCRIPTION

Figure 1.1 a perspective view of a lid, showing my new design;

FIG. 1.2 is a top view thereof;

FIG. 1.3 is a bottom view thereof;

FIG. 1.4 is a short side view thereof, taken from the outside;

FIG. 1.5 is a long side view thereof, taken from the outside;

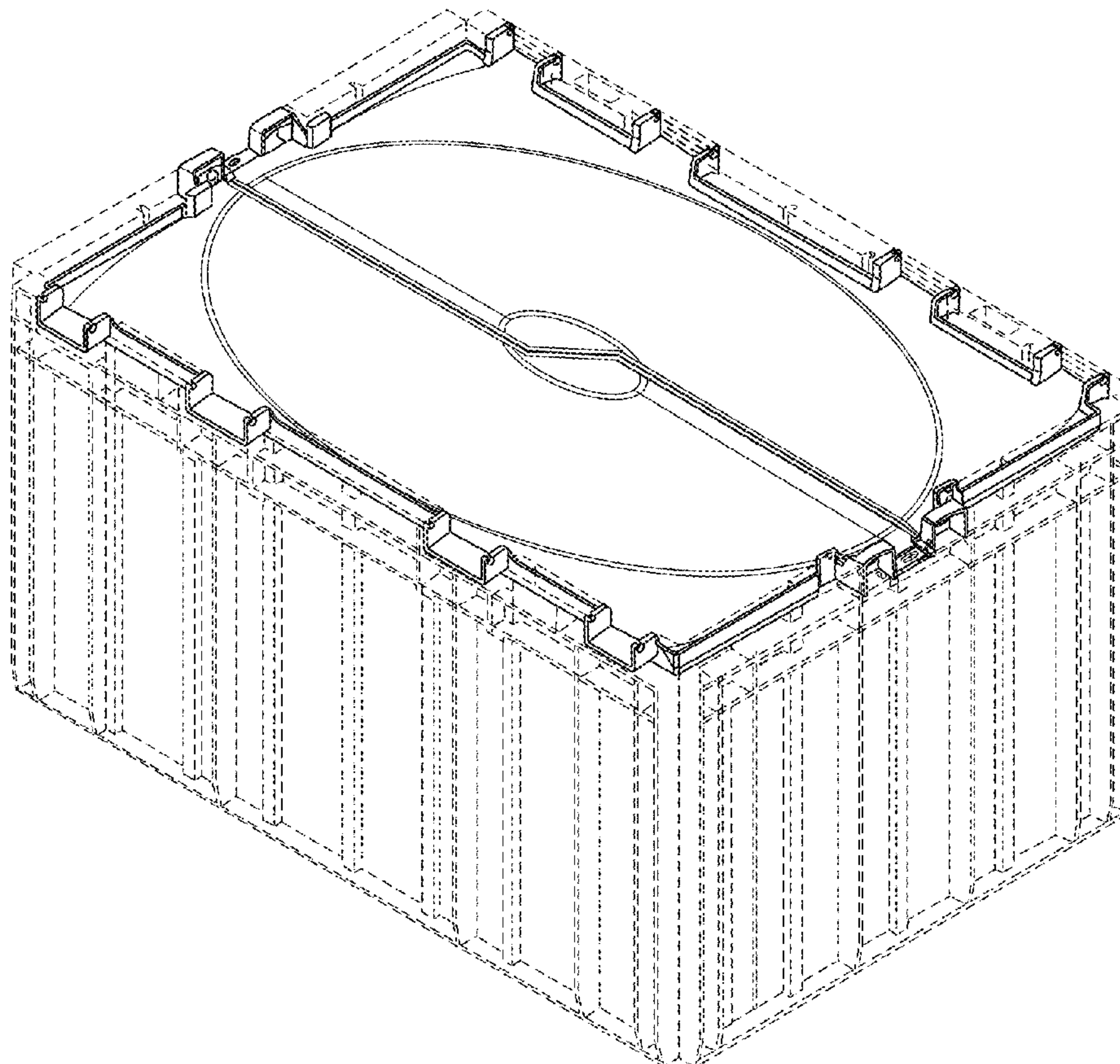
FIG. 1.6 is a long side view thereof, taken from the inside;

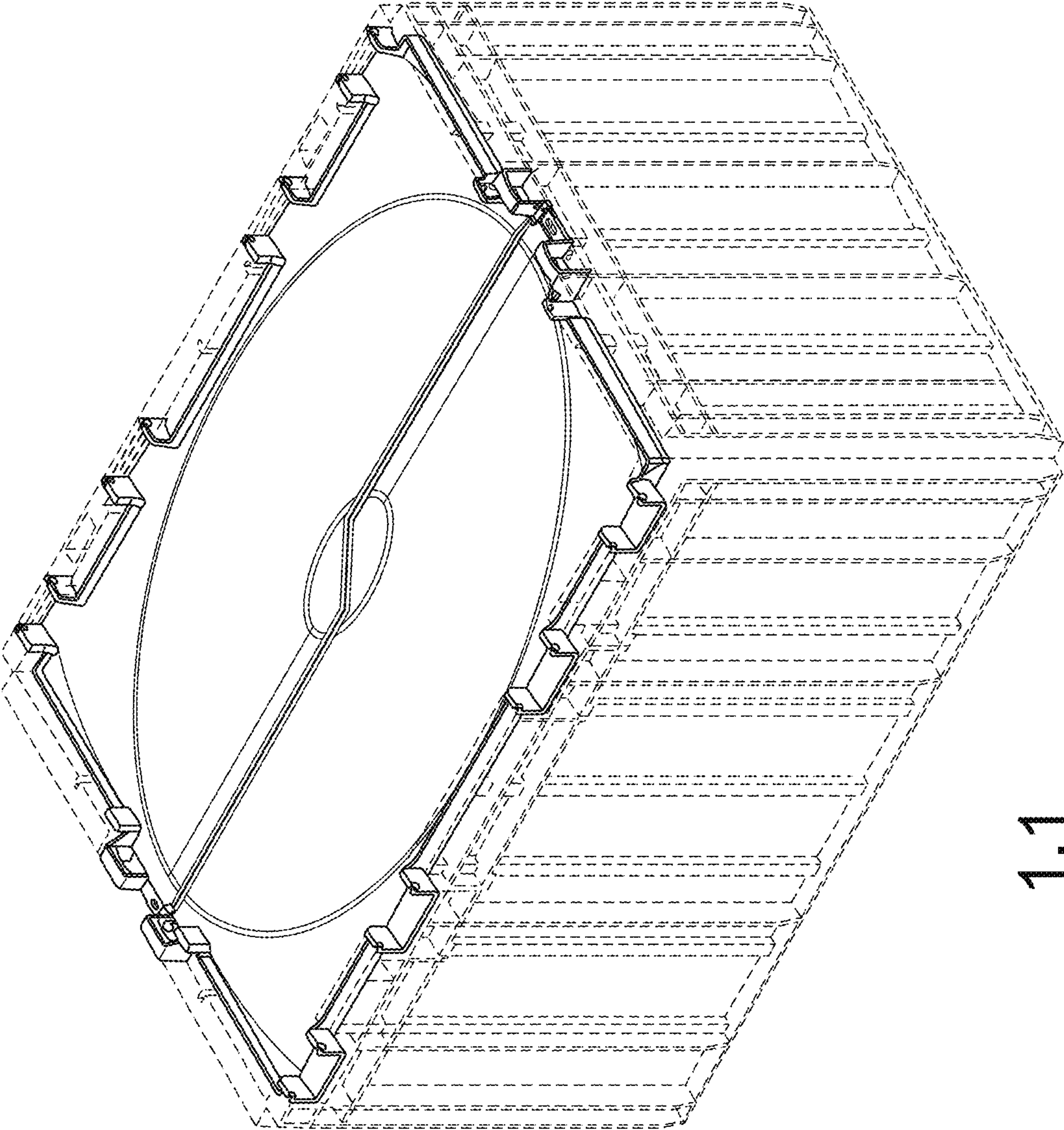
and

FIG. 1.7 is a short side cross-sectional view thereof, taken from the midpoint of the short sides.

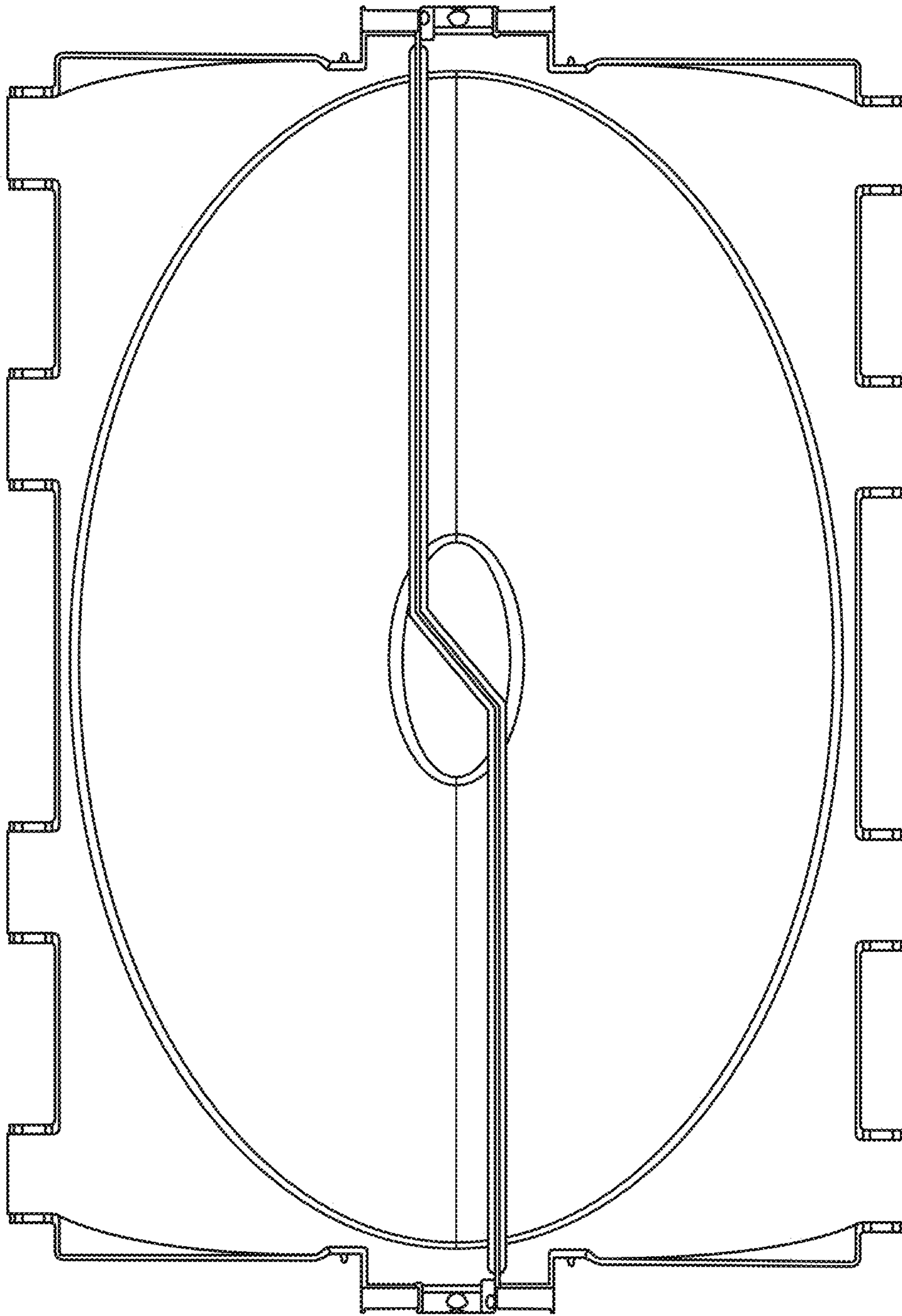
The broken lines are for the purpose of illustrating environmental structure and form no part of the claimed design.

1 Claim, 4 Drawing Sheets

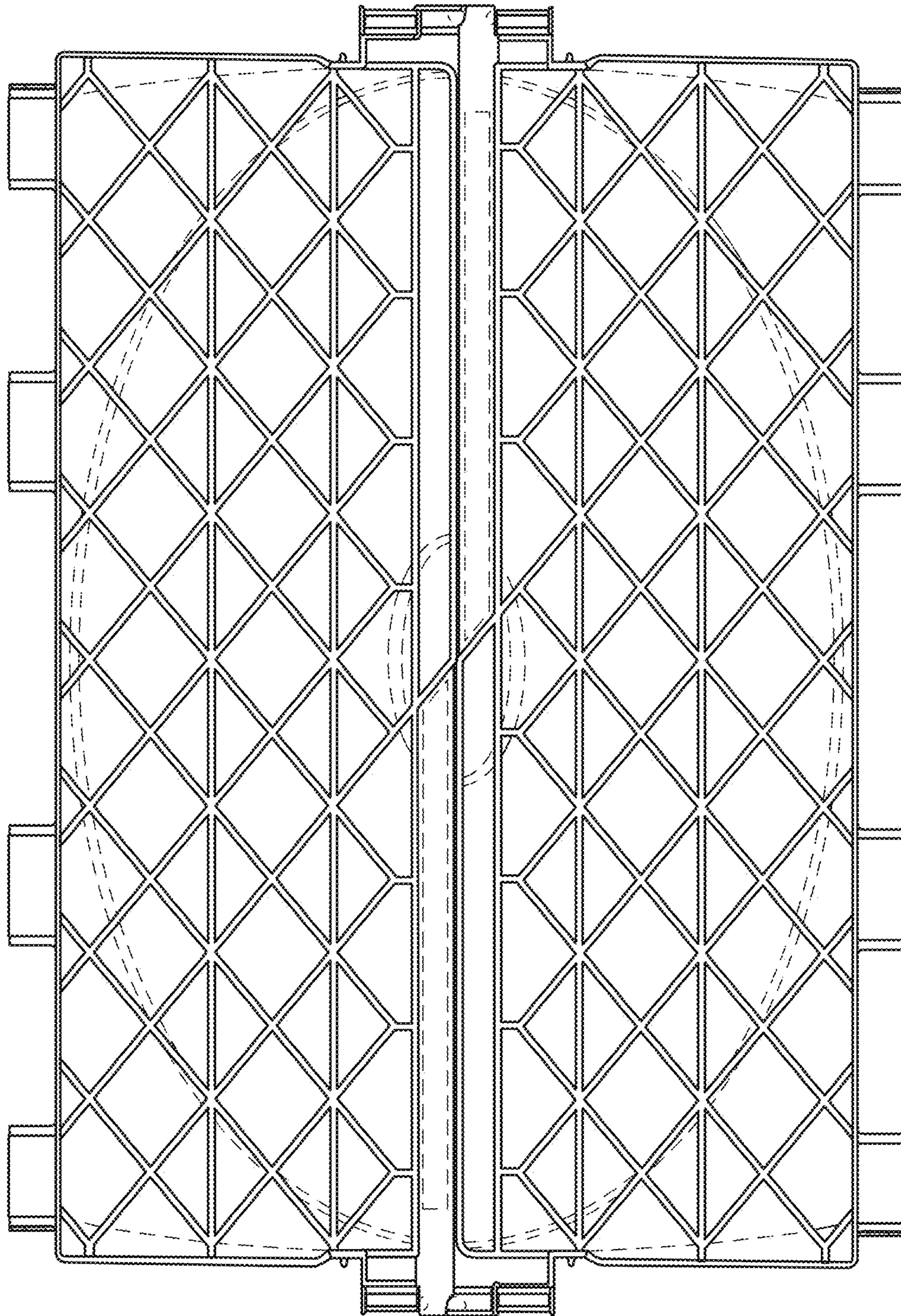




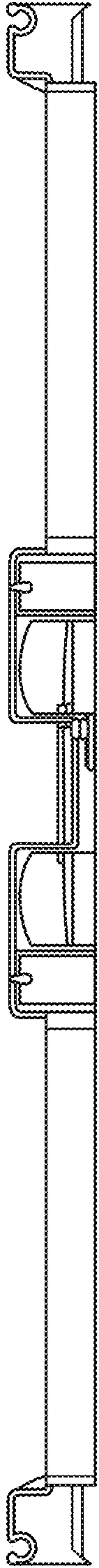
1.1



1.2



1.3



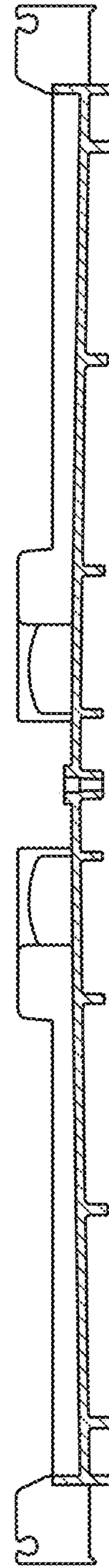
1.4



1.5



1.6



1.7