



US00D914365S

(12) **United States Design Patent**
Samsel et al.

(10) **Patent No.:** **US D914,365 S**
(45) **Date of Patent:** **** Mar. 30, 2021**

(54) **STORAGE CHEST WITH A LID STORAGE COMPARTMENT**

(71) Applicant: **APEX BRANDS, INC.**, Apex, NC (US)

(72) Inventors: **Richard A. Samsel**, Haines City, FL (US); **Jonathan Eziquiel-Shriro**, St. Louis, MO (US); **Matthew Poppe**, Holly Springs, NC (US); **Jason Mars**, Jonesboro, AR (US); **Michael Taber**, Jonesboro, AR (US)

(73) Assignee: **APEX BRANDS, INC.**, Apex, NC (US)

(**) Term: **15 Years**

(21) Appl. No.: **29/661,155**

(22) Filed: **Aug. 24, 2018**

(51) **LOC (13) Cl.** **03-01**

(52) **U.S. Cl.**
USPC **D3/294**

(58) **Field of Classification Search**
USPC D3/272, 273, 274, 275, 276, 281, 284, D3/292, 294, 306; D9/414, 418, D9/420-423, 432; D34/28, 38
CPC .. A45C 5/00; A45C 5/04; A45C 11/00; A45C 11/16

See application file for complete search history.

(56) **References Cited**

U.S. PATENT DOCUMENTS

D70,897 S * 8/1926 Purchas D3/294
D117,837 S * 11/1939 Tuttle D6/667
D192,848 S * 5/1962 Hageal et al. D3/200
4,288,134 A * 9/1981 Knaack A47B 81/00
312/100
D264,641 S * 6/1982 Evans D3/272

D294,308 S * 2/1988 Charton D3/294
D410,350 S * 6/1999 Stangl D6/667
D421,181 S * 2/2000 Tisbo D3/273
D456,134 S * 4/2002 Buck D3/272
D467,730 S * 12/2002 Ekerot D3/273
D579,658 S * 11/2008 Weng D3/272
D580,653 S * 11/2008 Robaina D3/272
D611,252 S * 3/2010 Fiscus D3/272
D664,767 S * 8/2012 Shewmaker D3/294
D665,194 S * 8/2012 Lenney D6/677.3
D672,553 S * 12/2012 Devillier D3/272
D727,622 S * 4/2015 Hile D3/294
D728,279 S * 5/2015 Punzell D6/667
D740,562 S * 10/2015 Bonilla D3/294
D749,845 S * 2/2016 Tonelli D3/276
D766,020 S * 9/2016 Thatcher D6/667
D859,832 S * 9/2019 Bokros D3/272
D859,833 S * 9/2019 Bokros D3/272
D862,881 S * 10/2019 Milburn D3/281

* cited by examiner

Primary Examiner — Holly E Thurman

(74) *Attorney, Agent, or Firm* — Burr & Forman, LLP

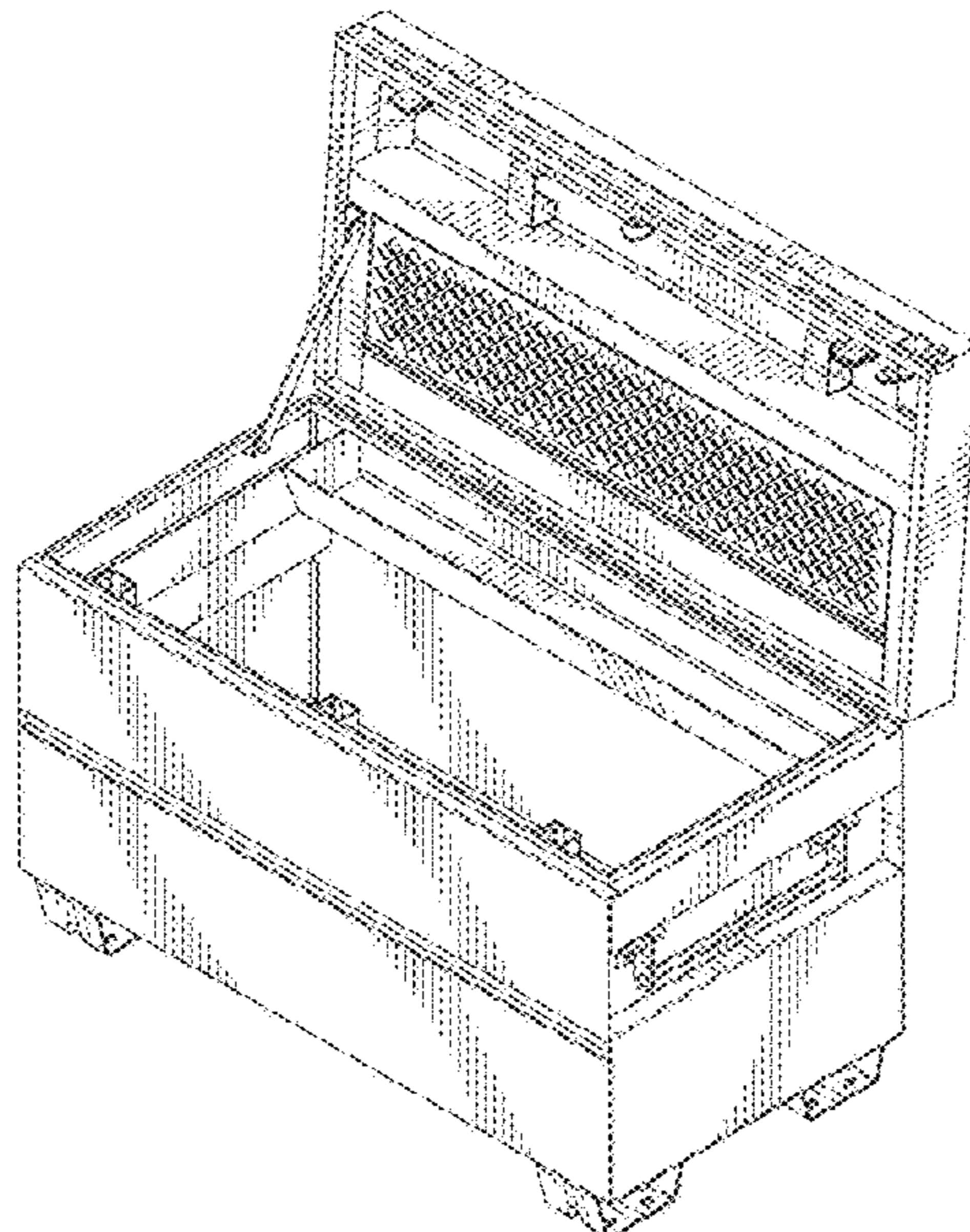
(57) **CLAIM**

The ornamental design for a storage chest with a lid storage compartment, as shown and described.

DESCRIPTION

FIG. 1 is a perspective front view of a storage chest with a lid storage compartment with the lid shown in an open position in accordance with the present invention; FIG. 2 is a front view of the storage chest of FIG. 1; FIG. 3 is a rear view of the storage chest of FIG. 1; FIG. 4 is a left side view of the storage chest of FIG. 1; FIG. 5 is a right side view of the storage chest of FIG. 1; FIG. 6 is a top view of the storage chest of FIG. 1; and, FIG. 7 is a bottom view of the storage chest of FIG. 1. The broken lines in the Figures depict portions of the storage chest that form NO part of the claimed design.

1 Claim, 7 Drawing Sheets



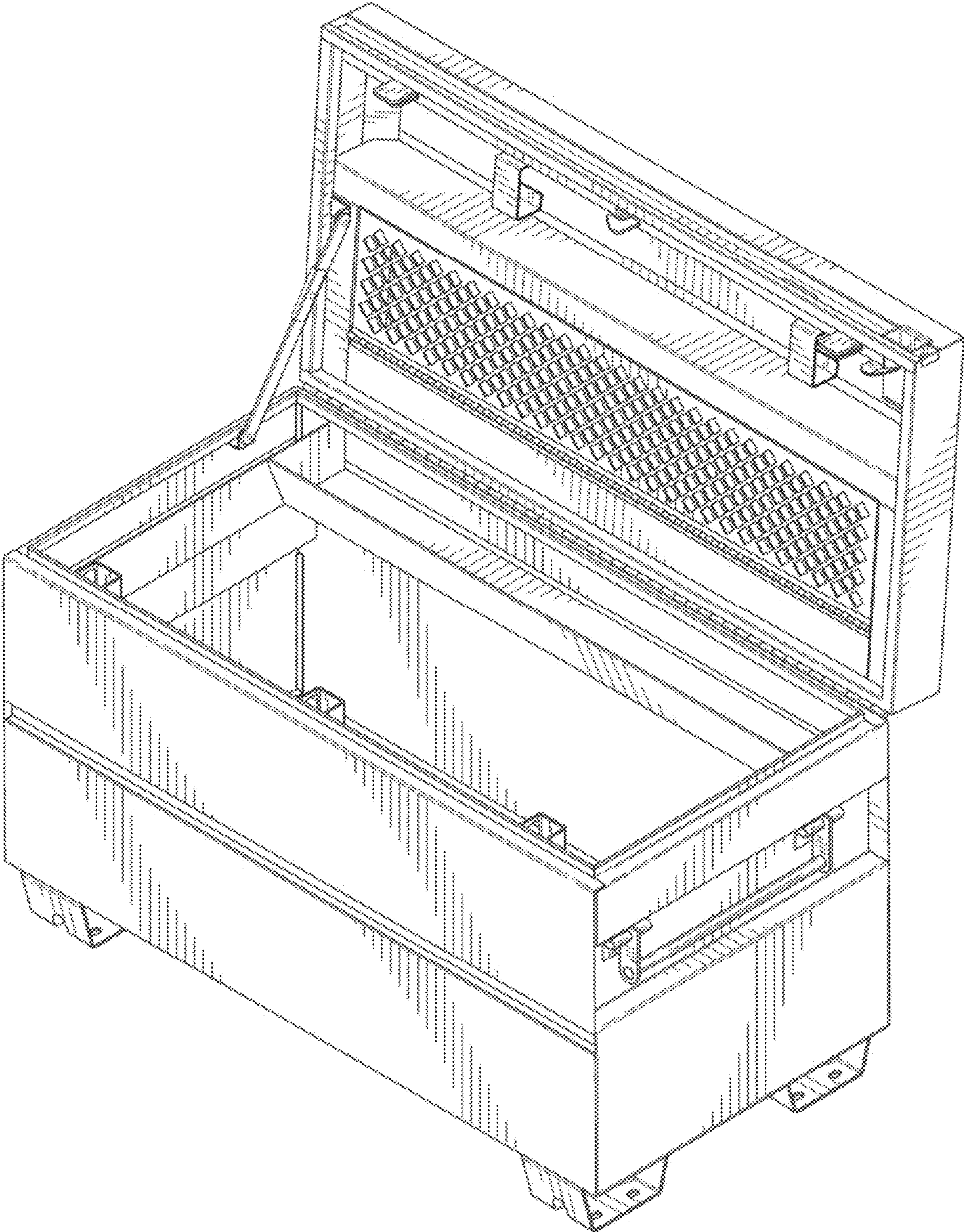


FIG. 1

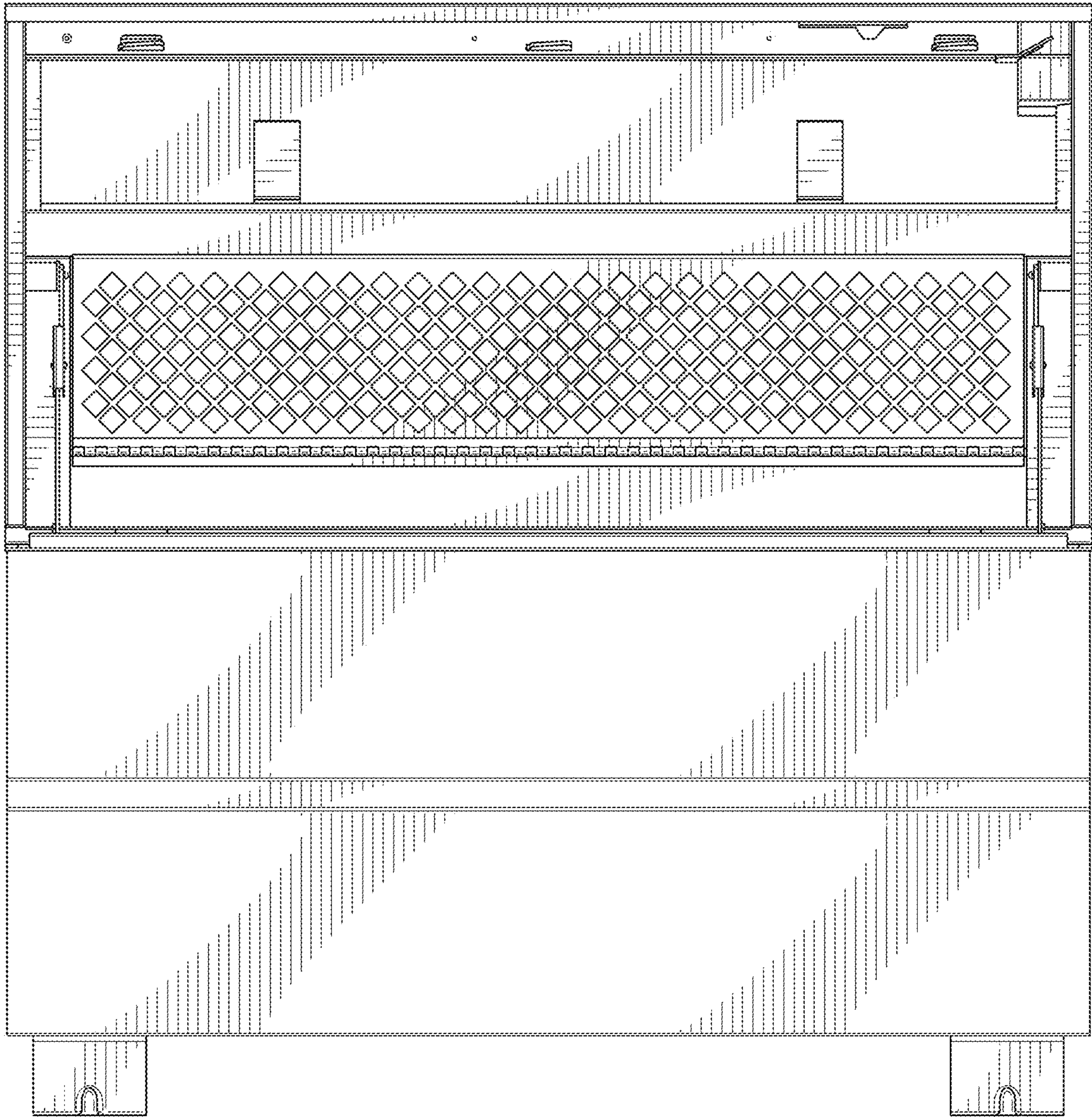


FIG. 2

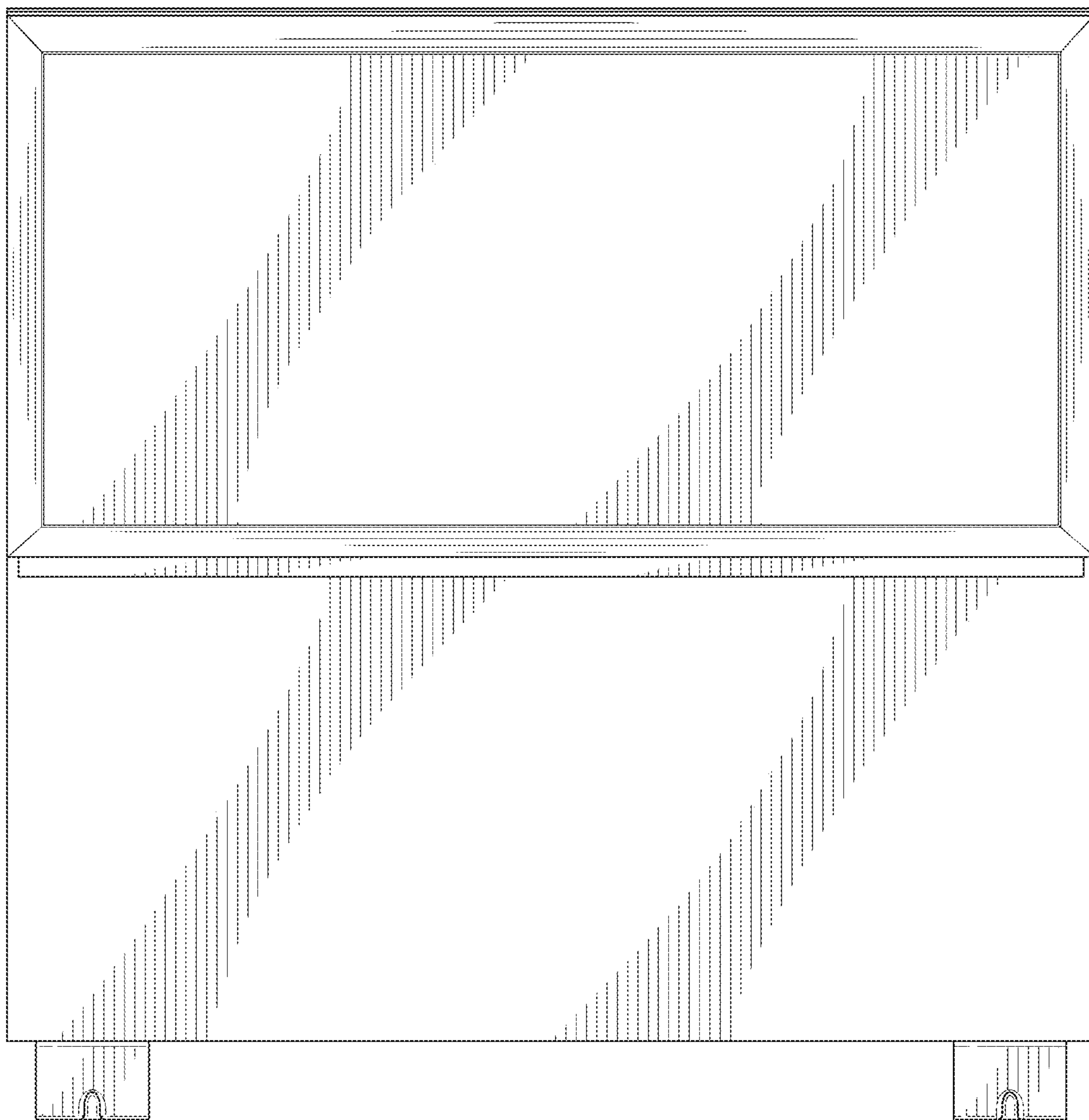


FIG. 3

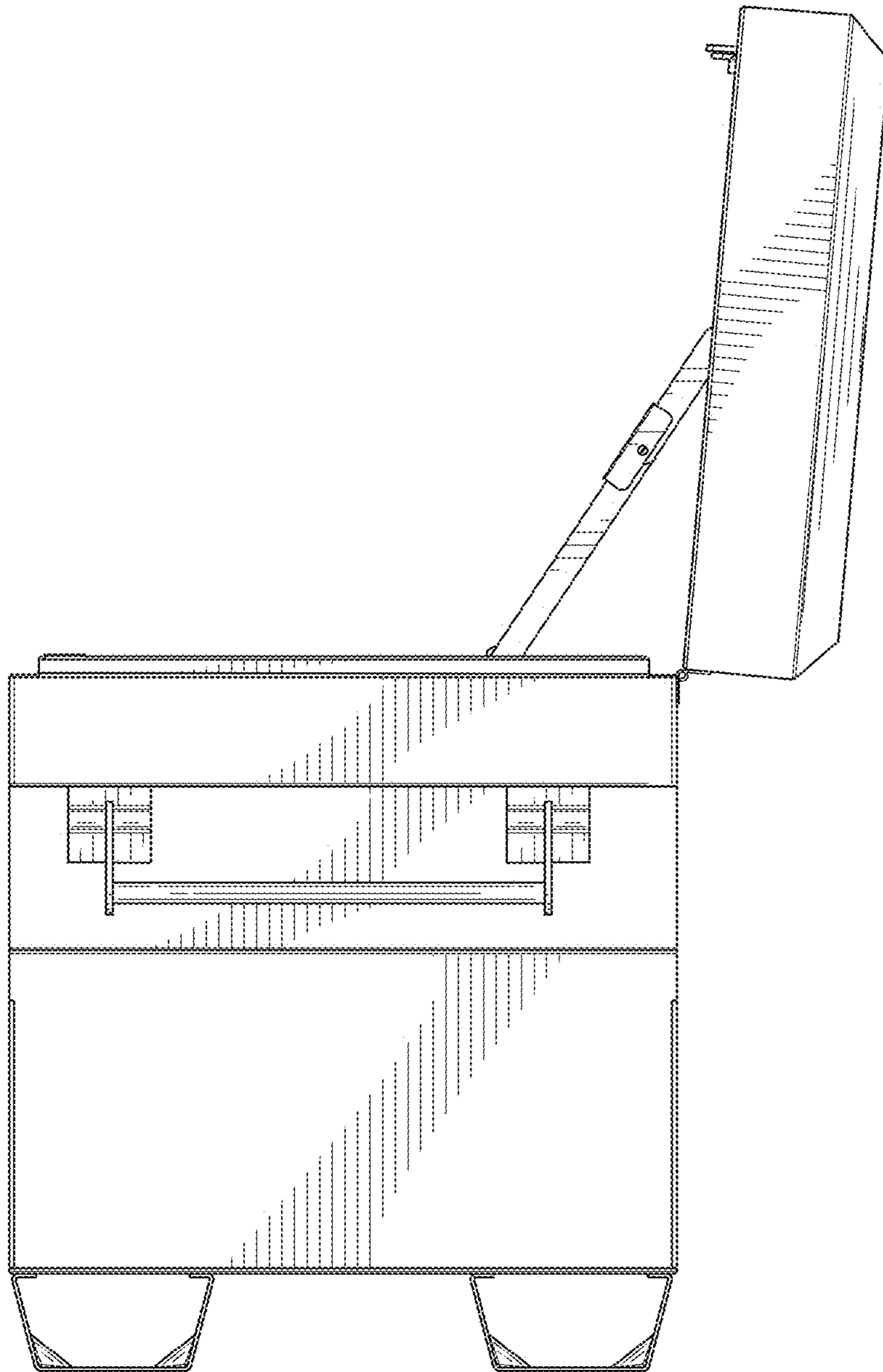


FIG. 4

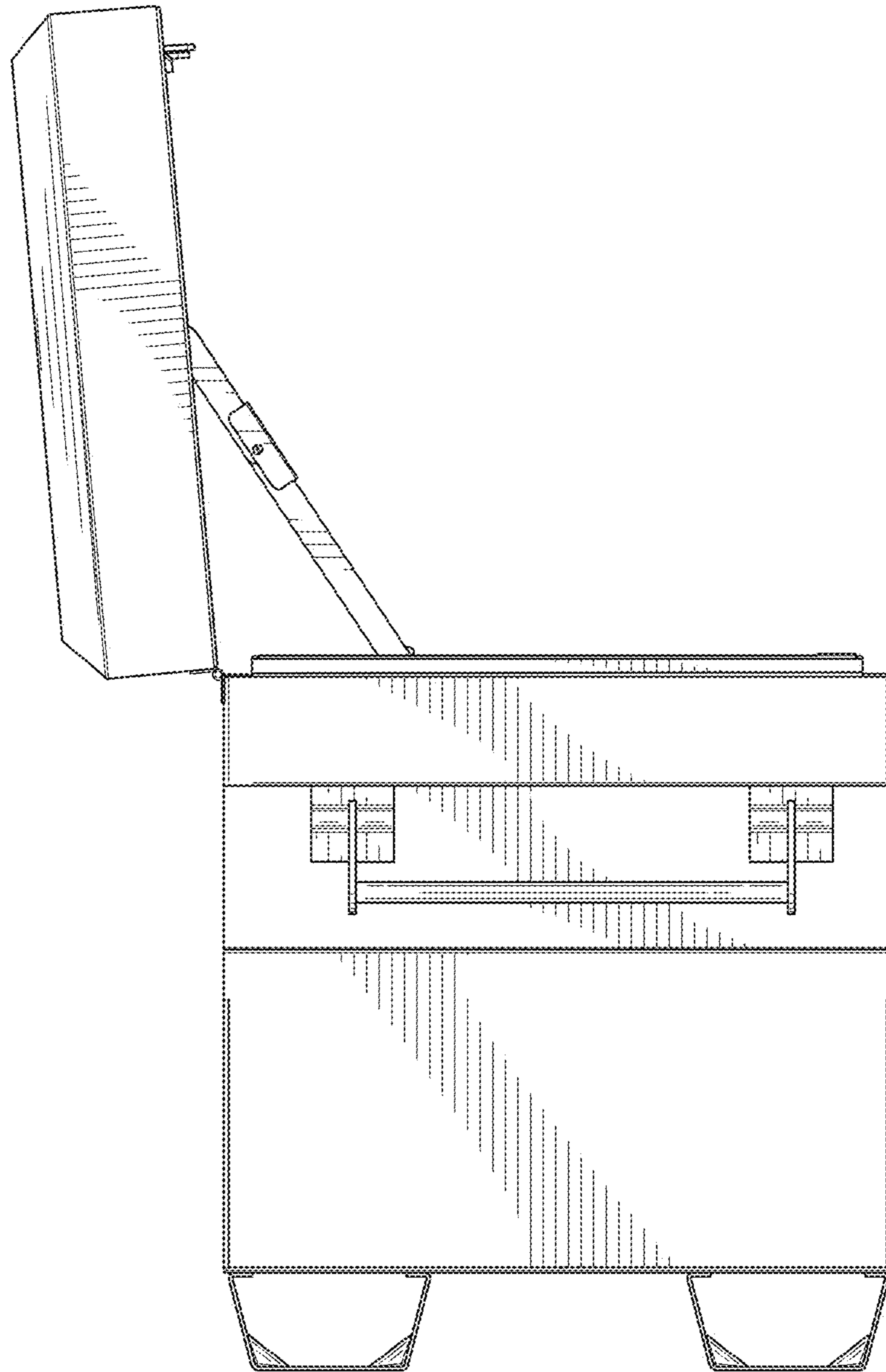


FIG. 5

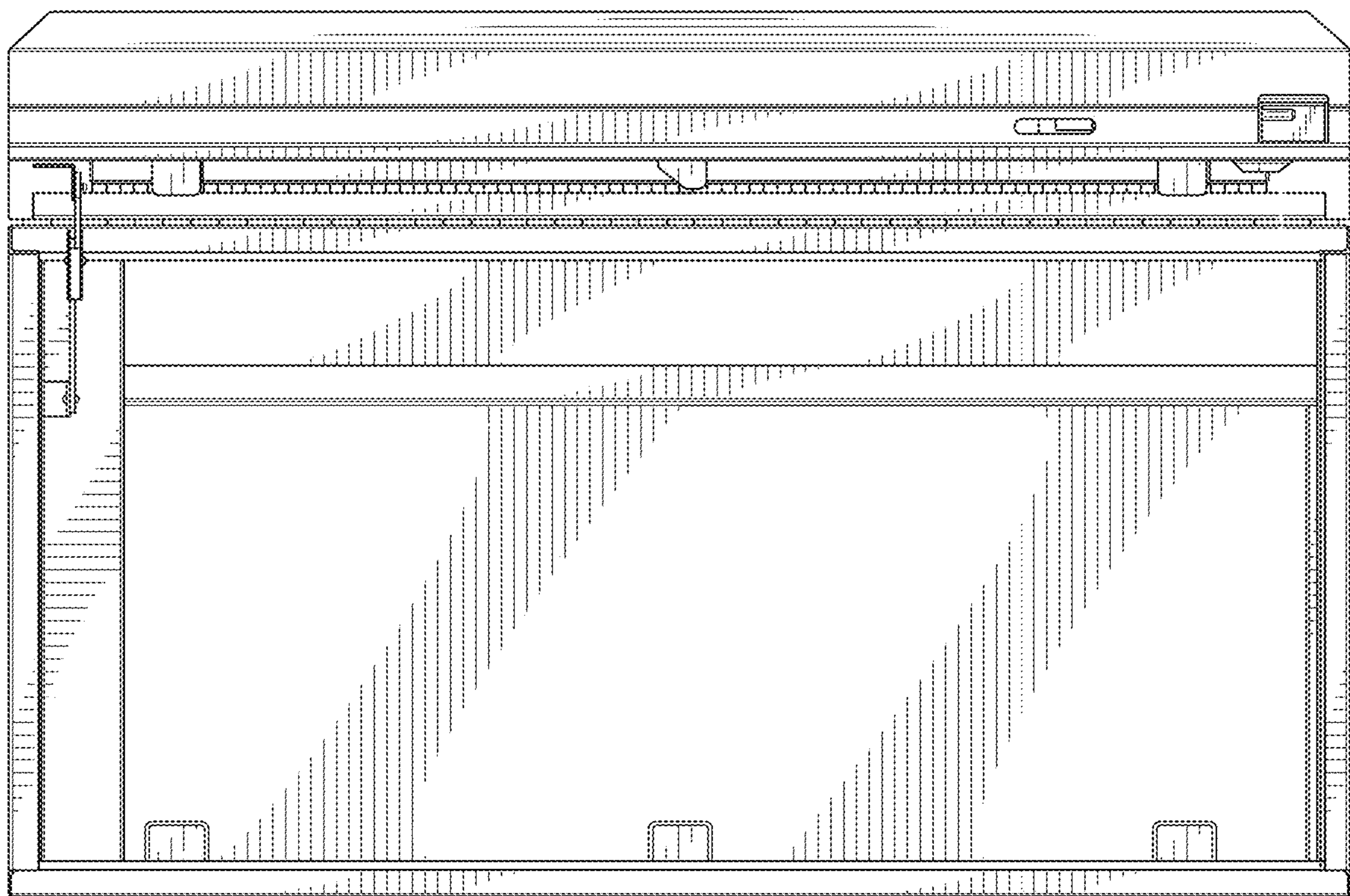


FIG. 6

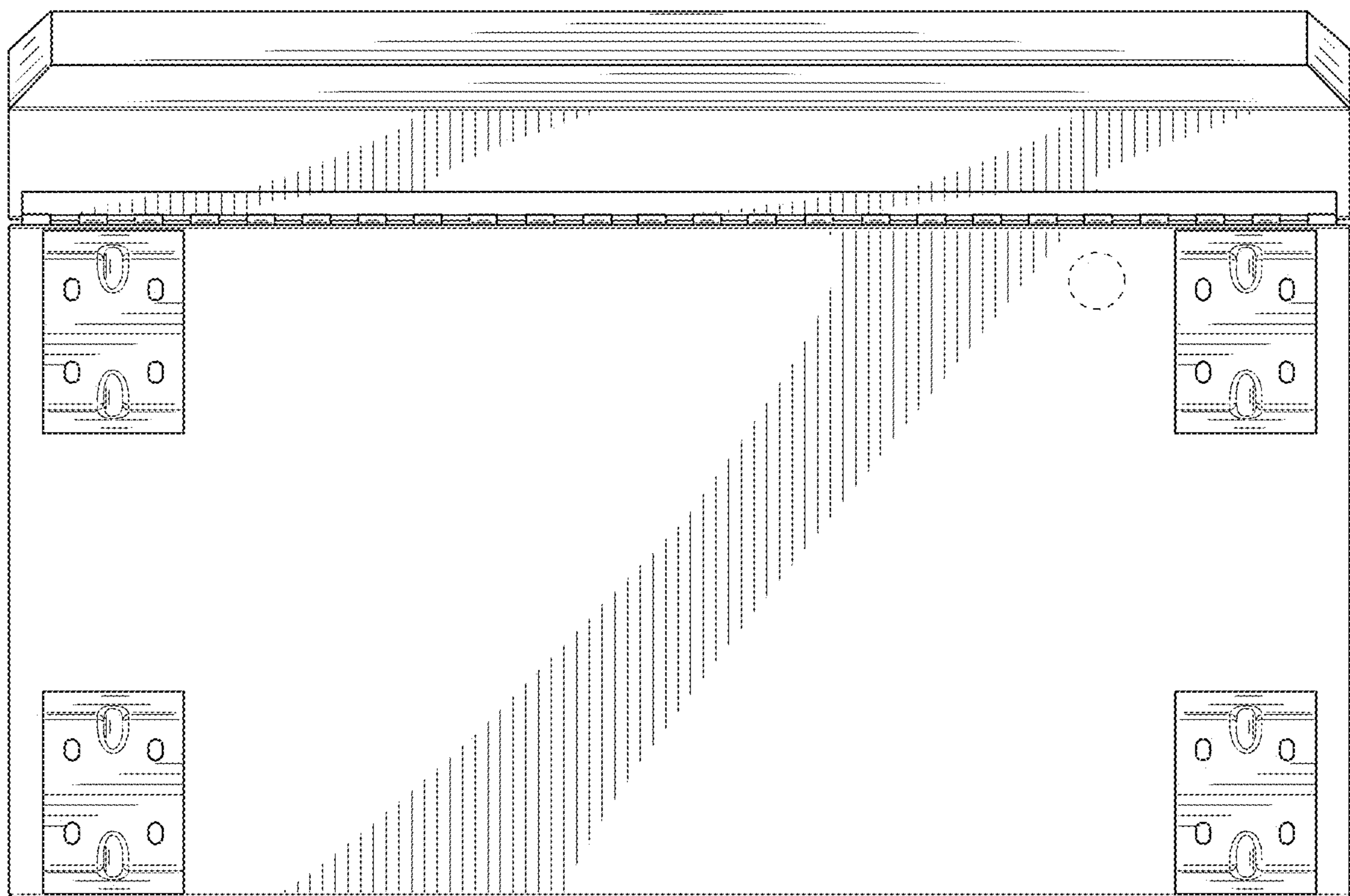


FIG. 7