



US00D914363S

(12) **United States Design Patent**  
**Tran**

(10) **Patent No.:** **US D914,363 S**

(45) **Date of Patent:** **\*\* Mar. 30, 2021**

(54) **CONTAINER**

D832,211 S \* 10/2018 Ladd ..... D13/110  
10,227,078 B2 \* 3/2019 Bowen ..... B62B 1/26

\* cited by examiner

(71) Applicant: **Vuong Quy Tran**, San Jose, CA (US)

*Primary Examiner* — April Rivas

(72) Inventor: **Vuong Quy Tran**, San Jose, CA (US)

(\*\*) Term: **15 Years**

(57) **CLAIM**

The ornamental design for a container, as shown and described.

(21) Appl. No.: **29/680,337**

**DESCRIPTION**

(22) Filed: **Feb. 14, 2019**

(51) **LOC (13) Cl.** ..... **03-01**

(52) **U.S. Cl.**  
USPC ..... **D3/279; D3/272**

(58) **Field of Classification Search**  
USPC ..... D3/272, 273, 276, 279, 282, 284, 291,  
D3/294, 302, 900, 905, 903; D19/106,  
D19/81, 83  
CPC ..... B25H 3/02  
See application file for complete search history.

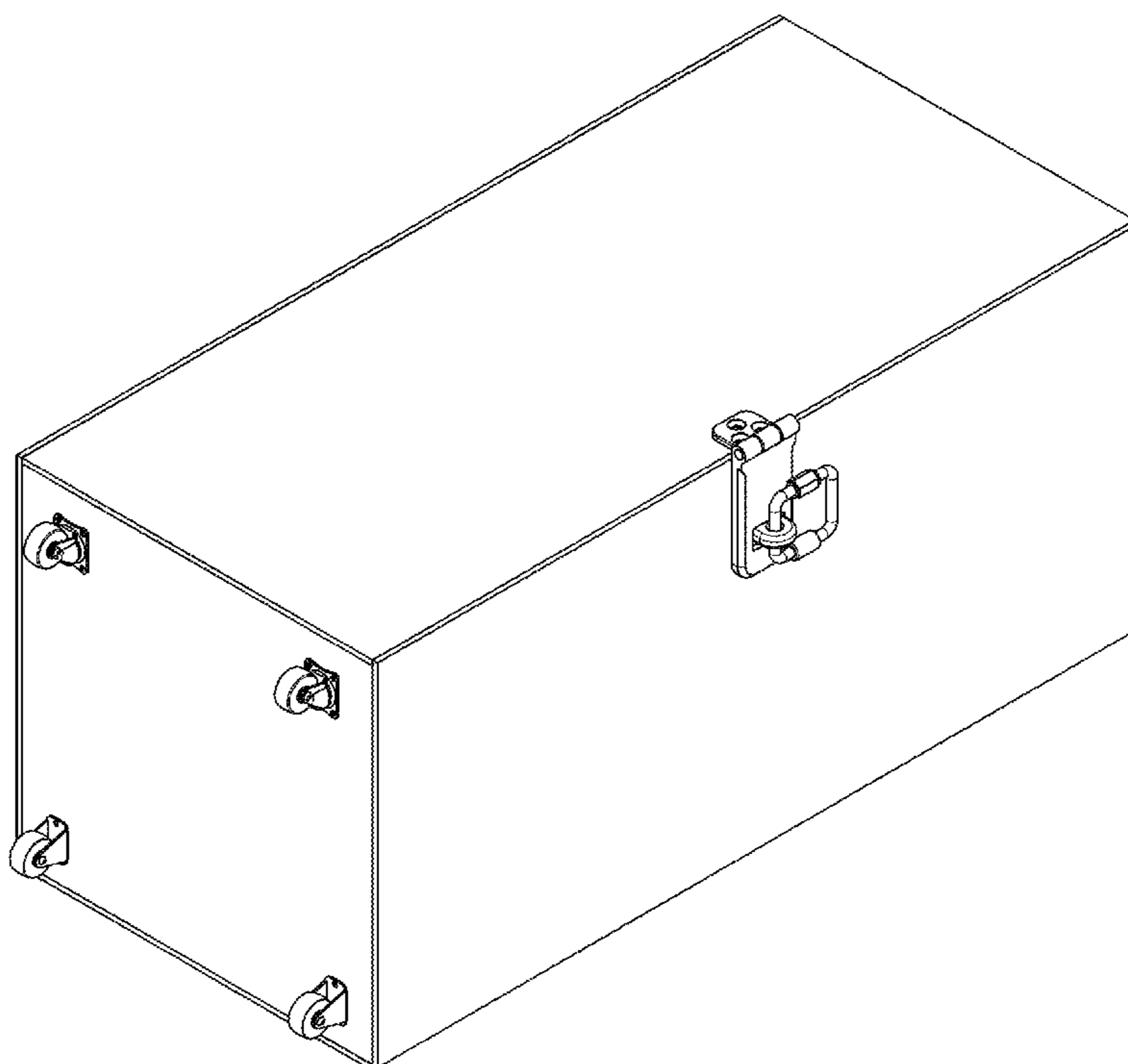
FIG. 1 is a perspective view of the container with the door closed  
FIG. 2 is a front view of the container with the door closed  
FIG. 3 is a top view of the container with the door closed  
FIG. 4 is a bottom view of the container with the door closed  
FIG. 5 is a left view of the container with the door closed  
FIG. 6 is a right view of the container with the door closed  
FIG. 7 is a back view of the container with the door closed  
FIG. 8 is a perspective view of the container with the door opened  
FIG. 9 is a front view of the container with the door opened  
FIG. 10 is a top view of the container with the door opened  
FIG. 11 is a bottom view of the container with the door opened  
FIG. 12 is a left view of the container with the door opened  
FIG. 13 is a right view of the container with the door opened;  
and,  
FIG. 14 is a back view of the container with the door opened.

(56) **References Cited**

**U.S. PATENT DOCUMENTS**

2,233,671 A \* 3/1941 Lopes, Jr. .... B65D 9/32  
217/65  
D496,530 S \* 9/2004 Wolf ..... D3/273  
D518,294 S \* 4/2006 Doppelt ..... D3/276  
D593,751 S \* 6/2009 McDade ..... D3/272  
D781,583 S \* 3/2017 Bowen ..... D3/279

**1 Claim, 14 Drawing Sheets**



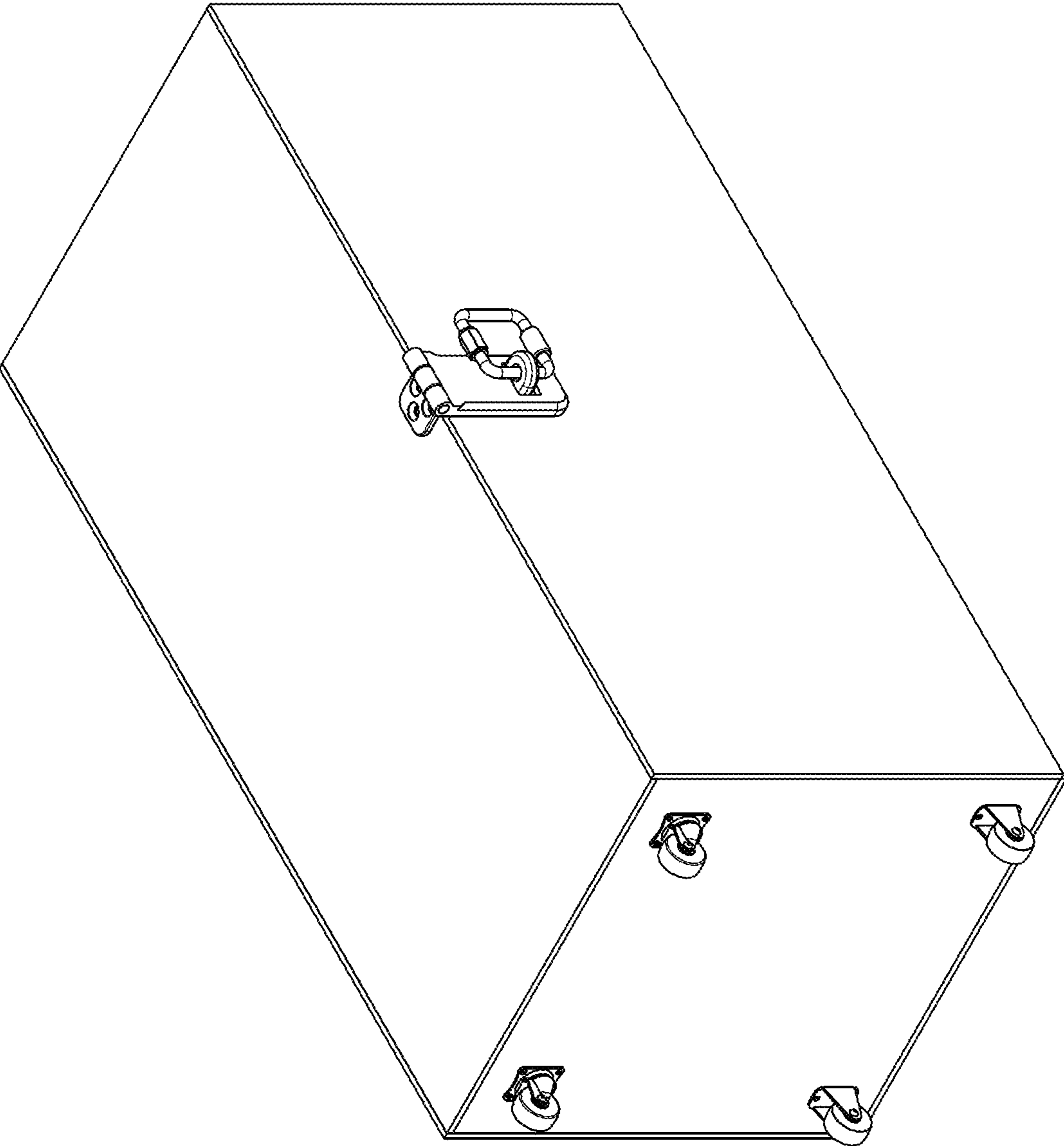


FIG. 1

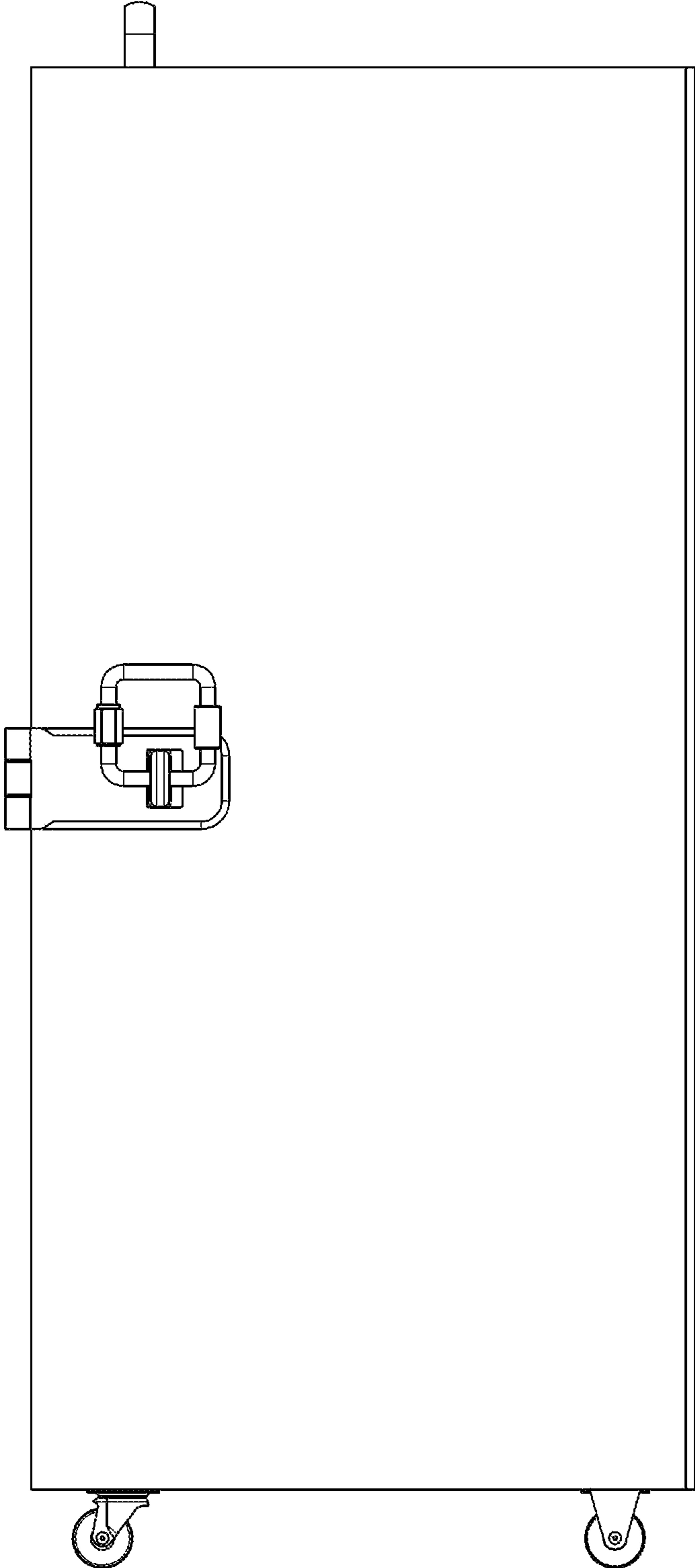


FIG. 2

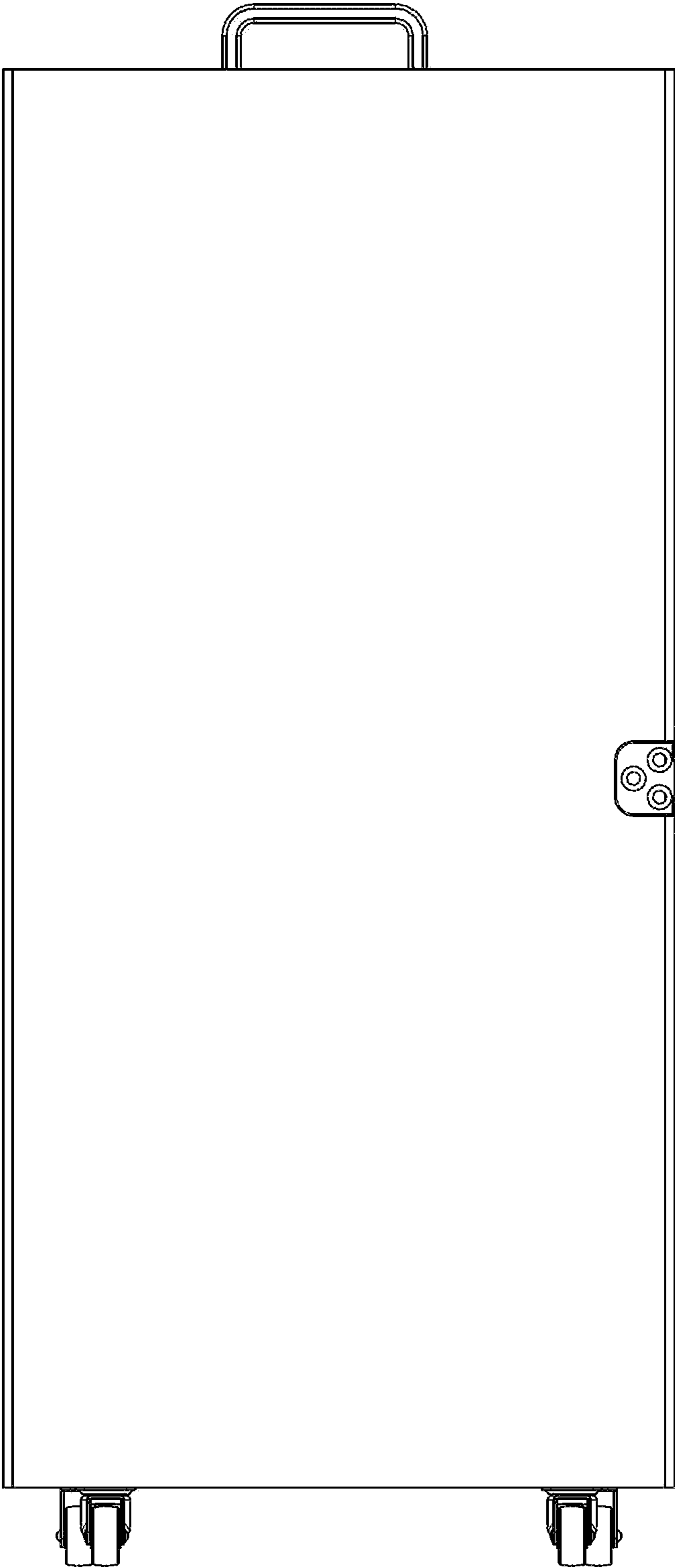


FIG. 3

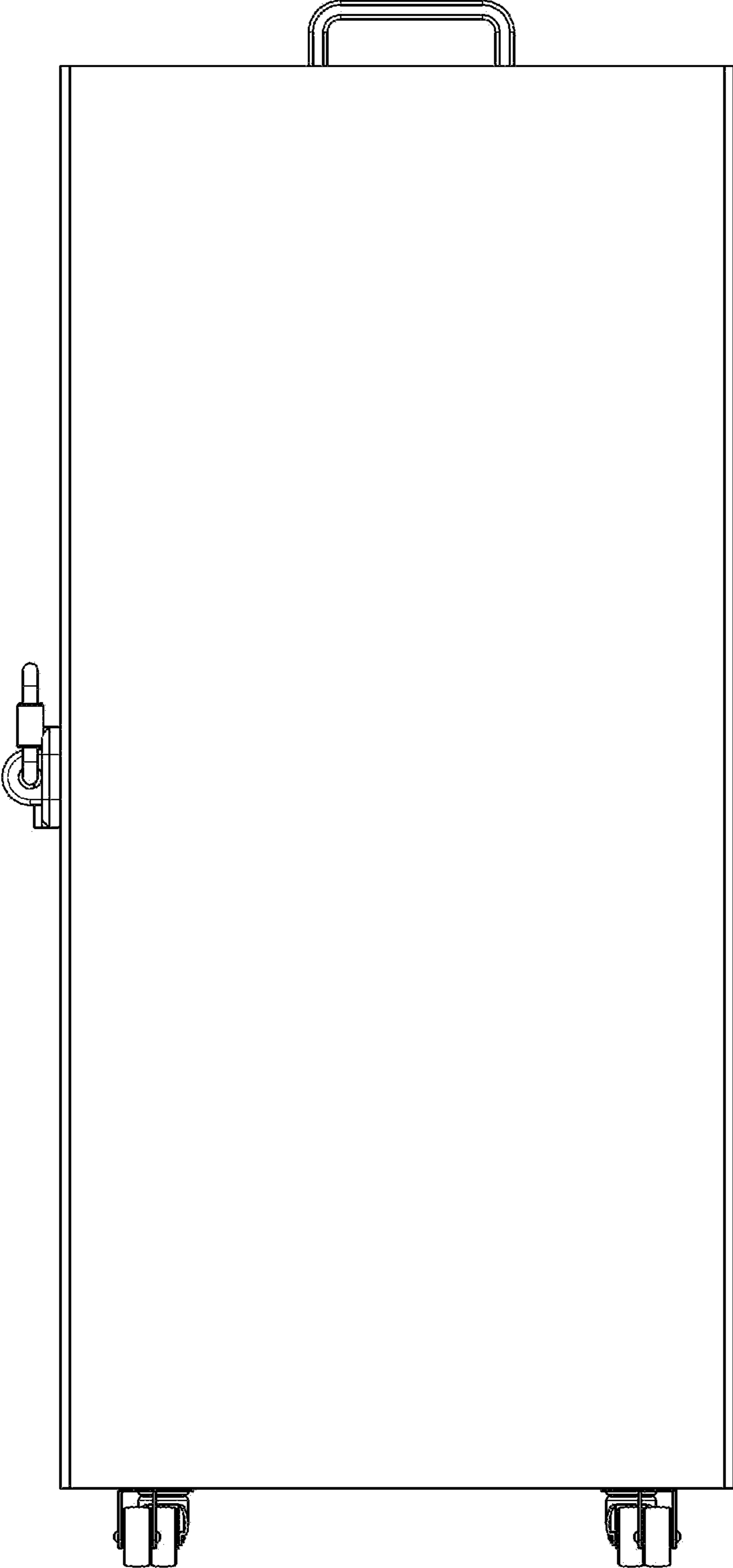


FIG. 4

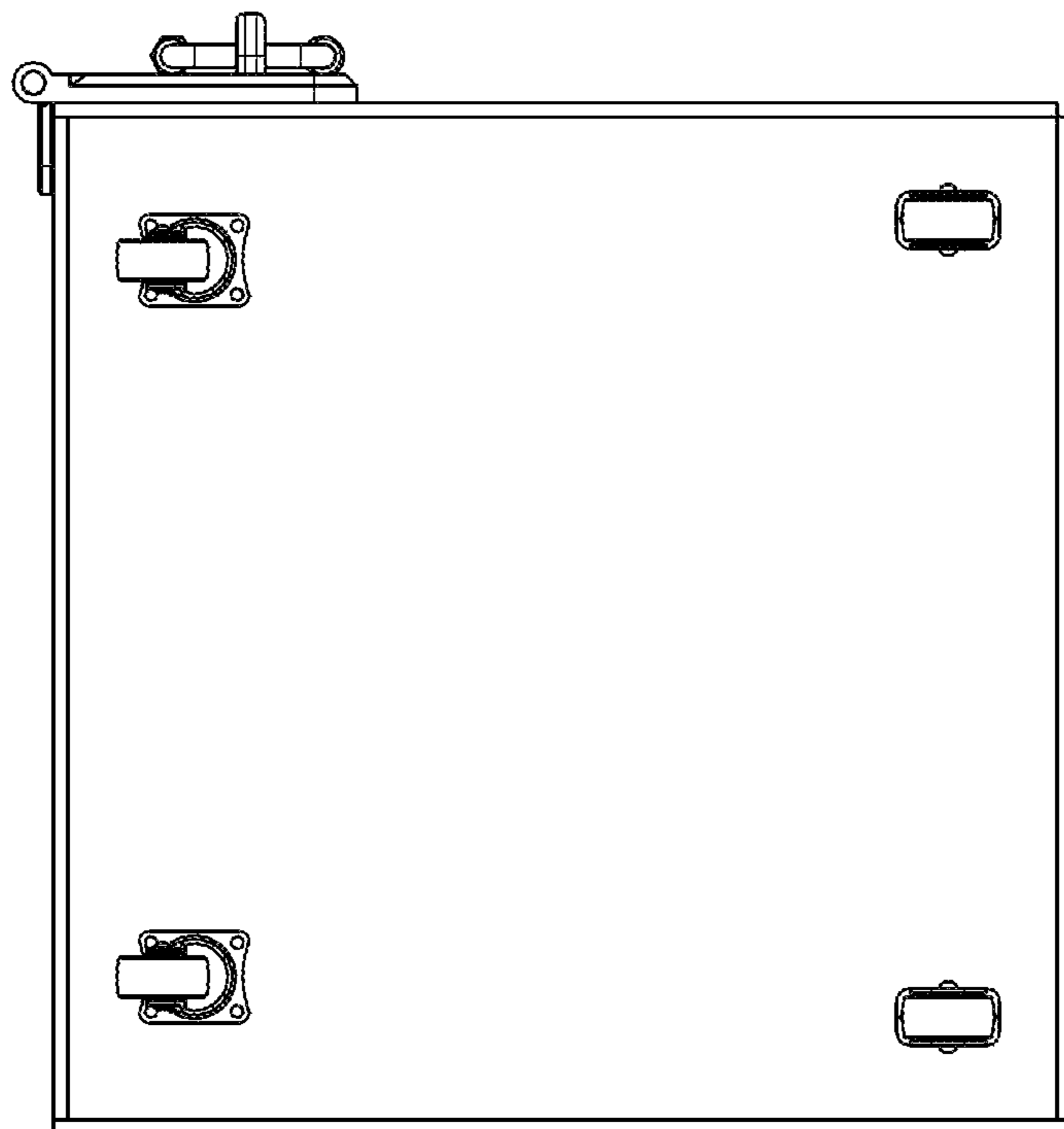


FIG. 5

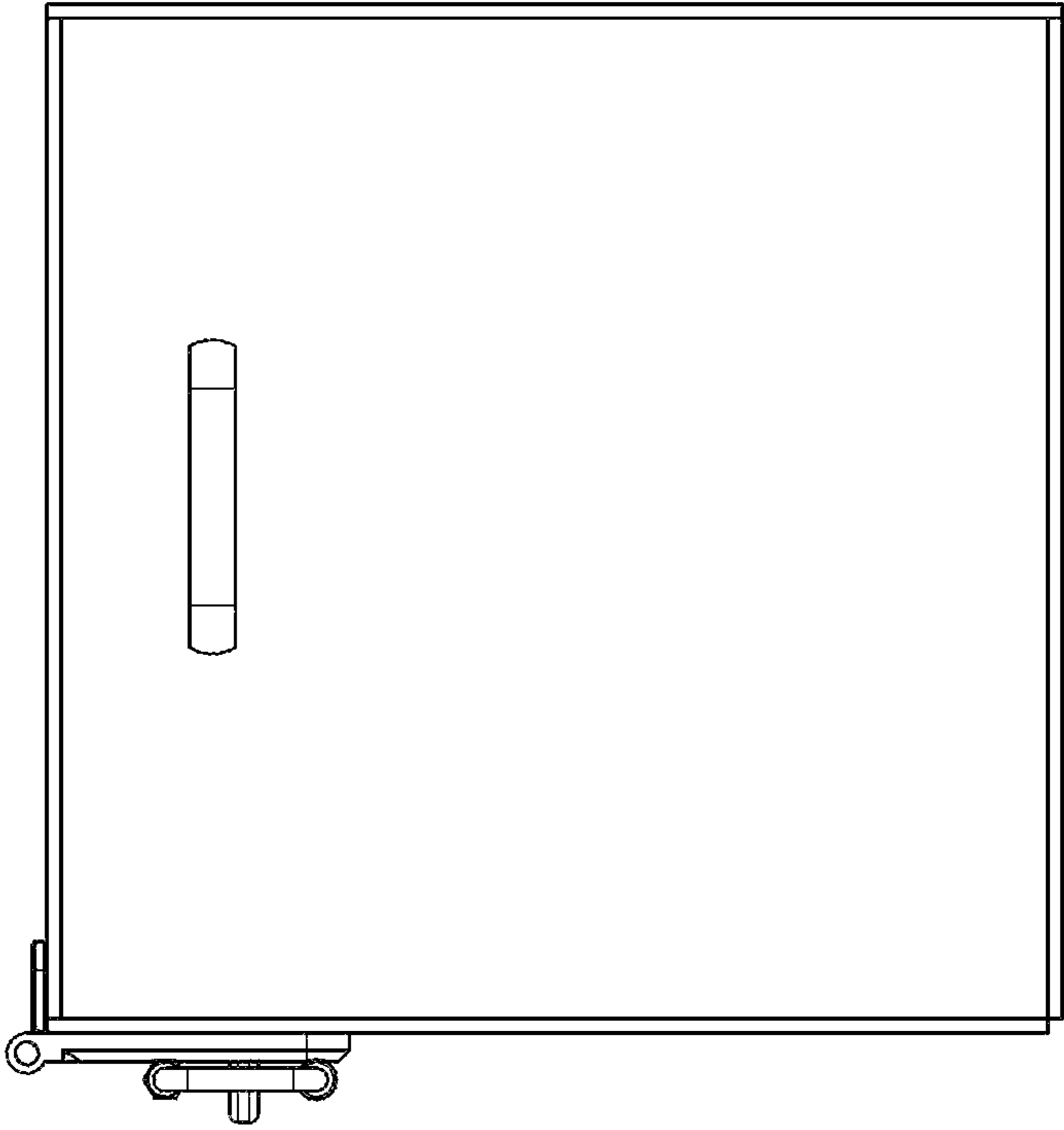


FIG. 6

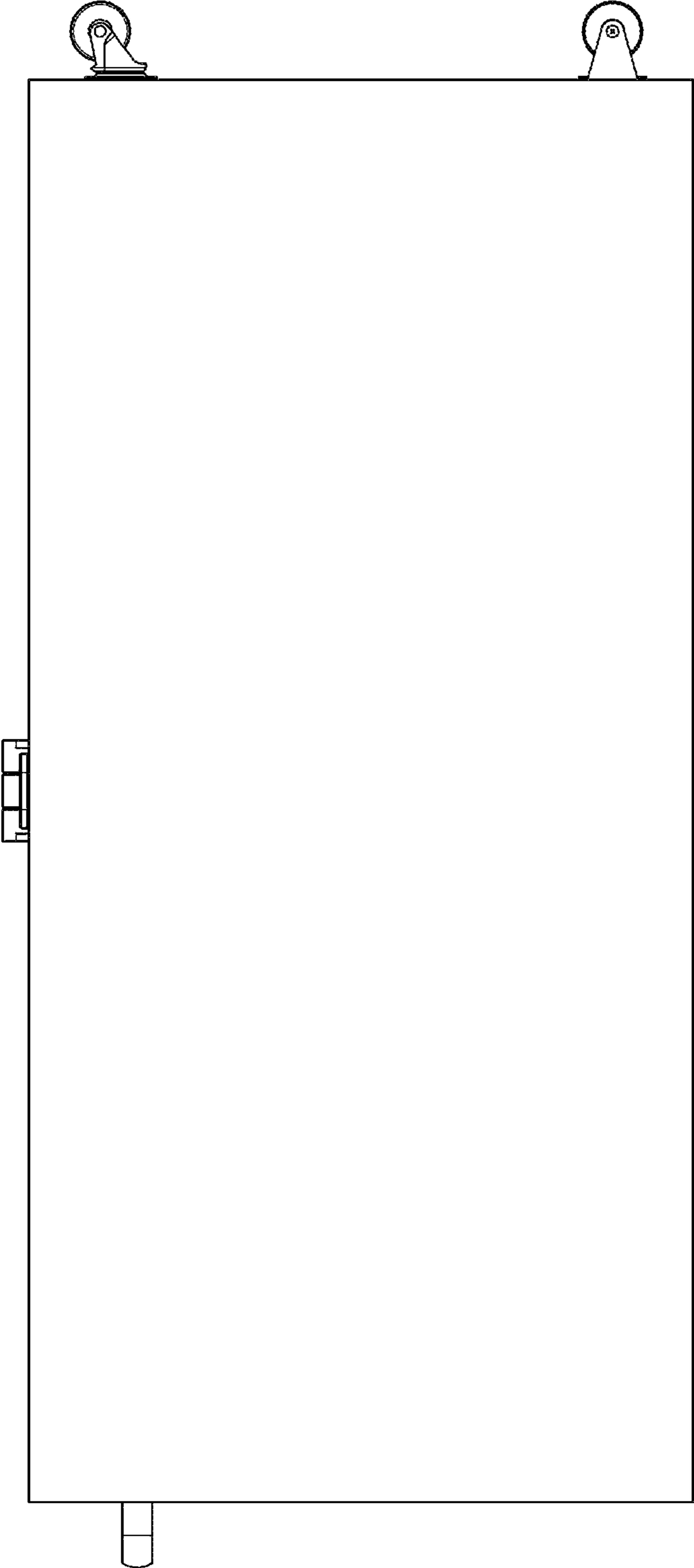


FIG. 7



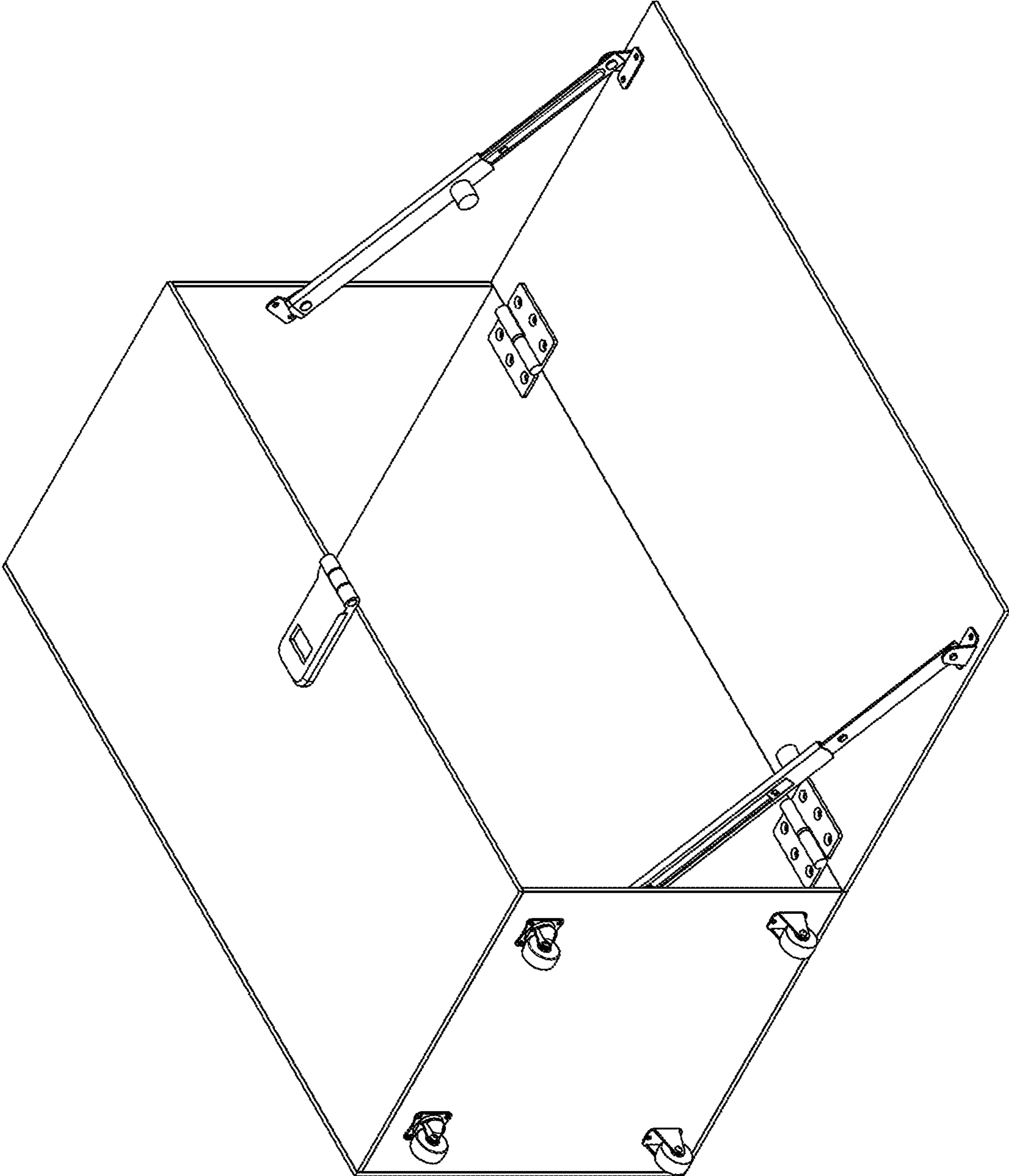


FIG. 8

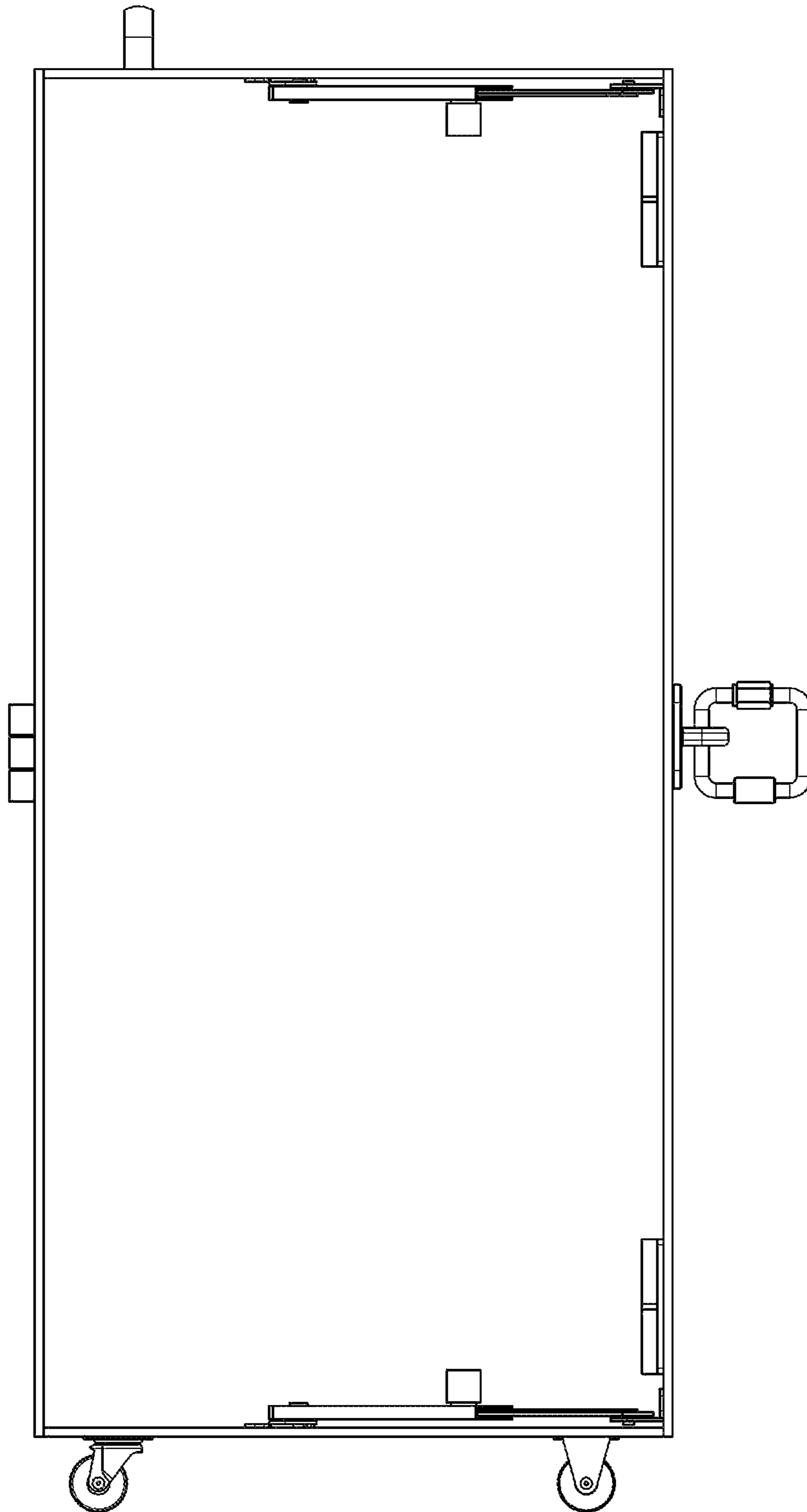


FIG. 9

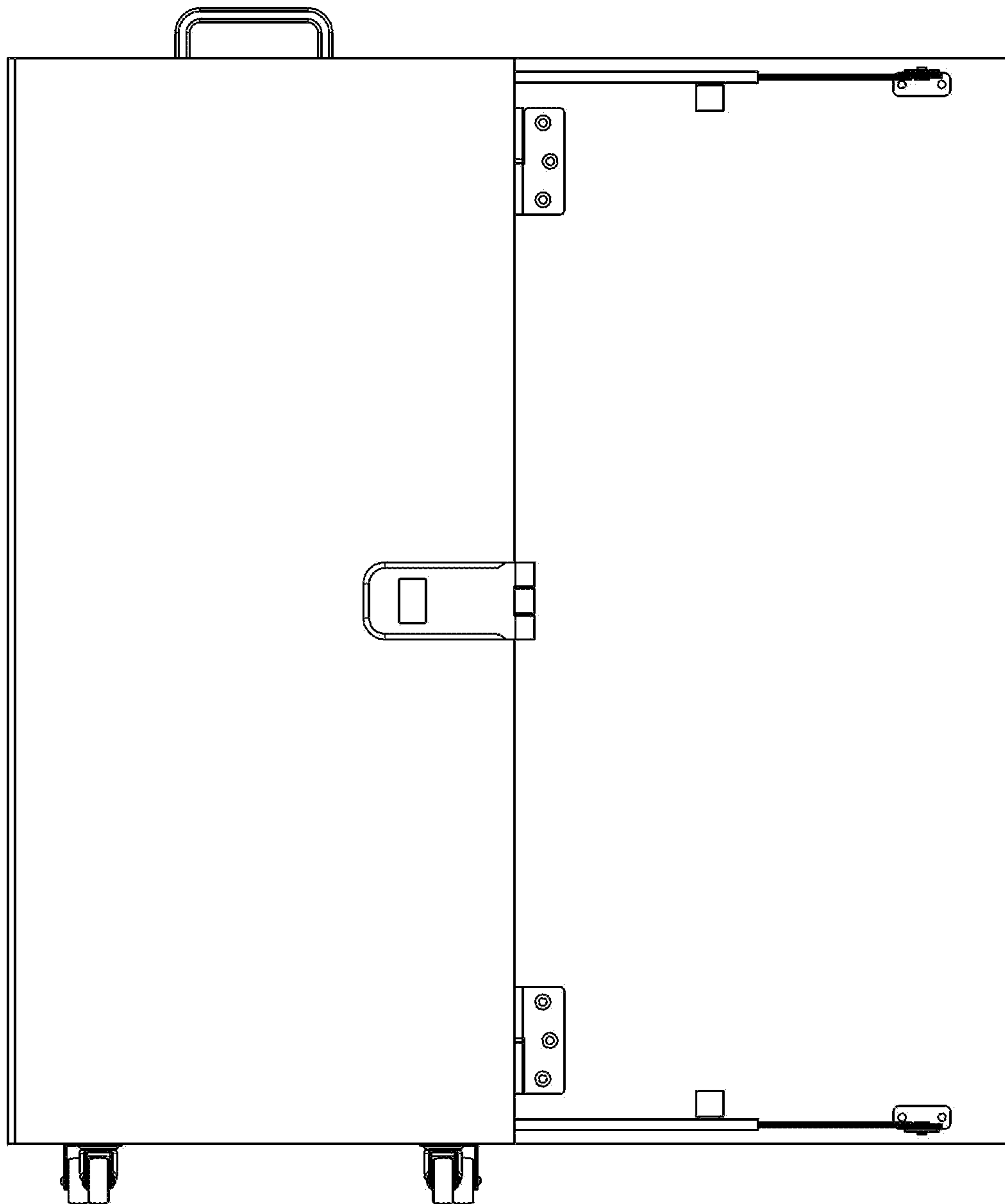


FIG. 10

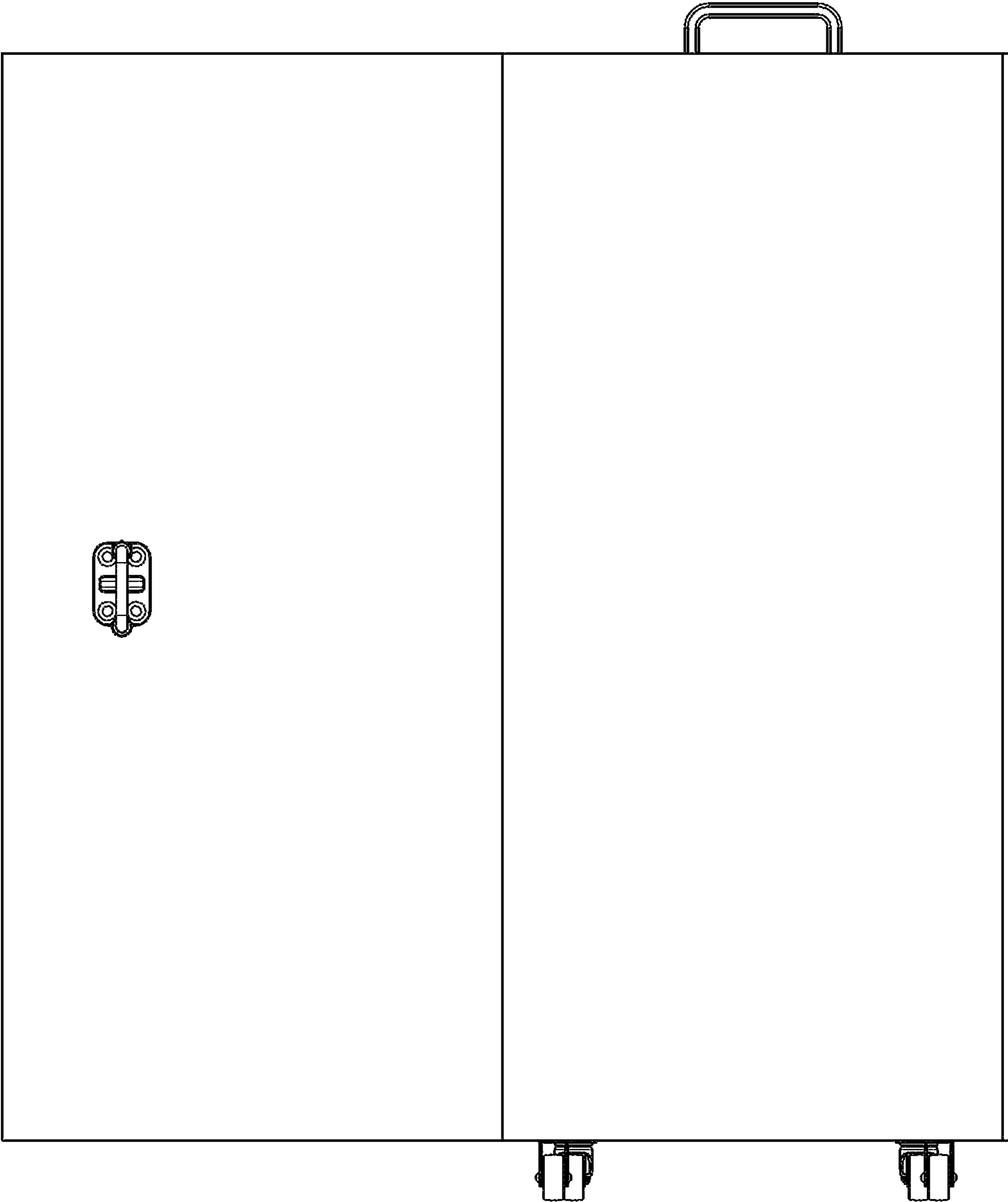


FIG. 11

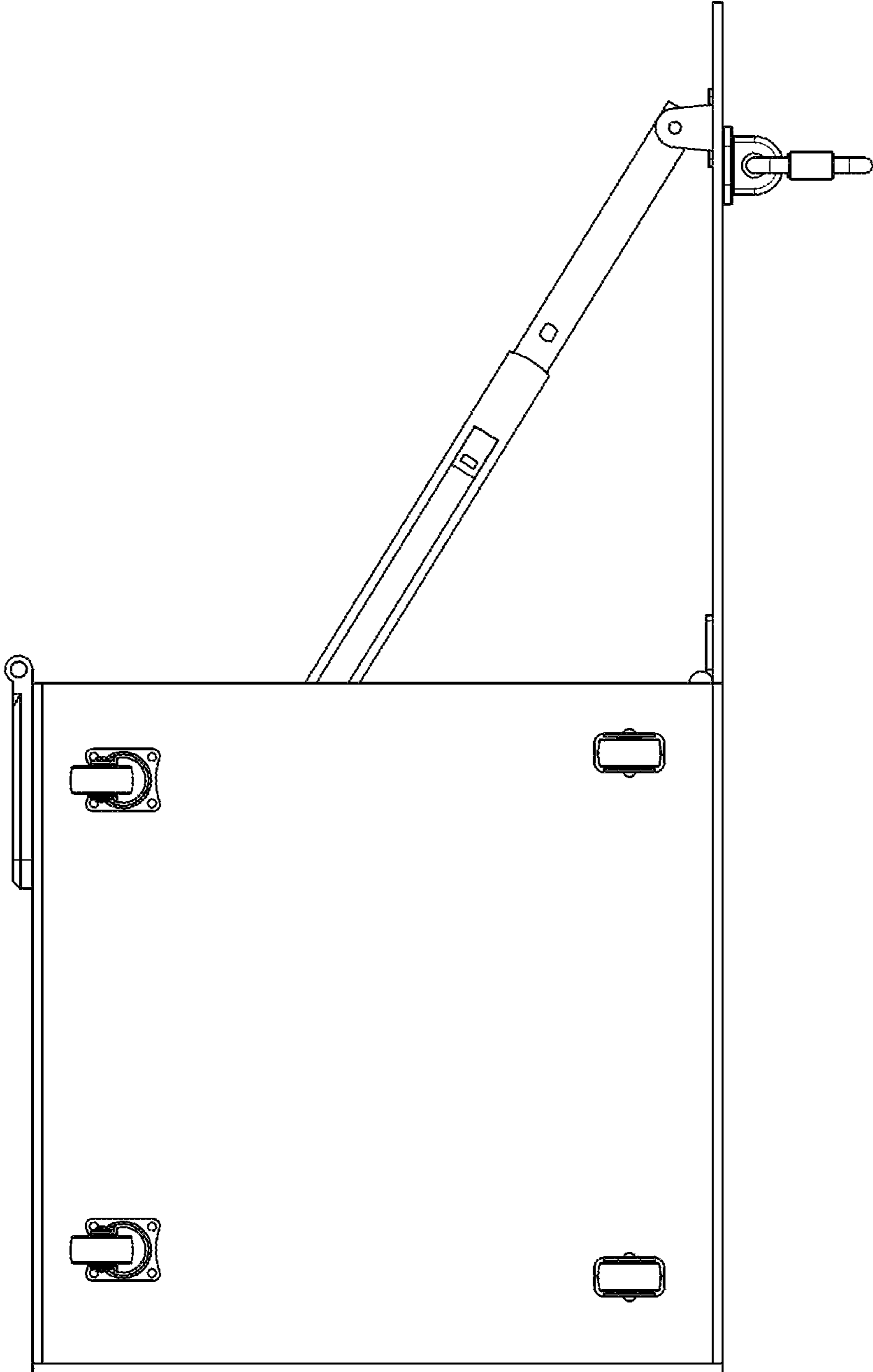


FIG. 12

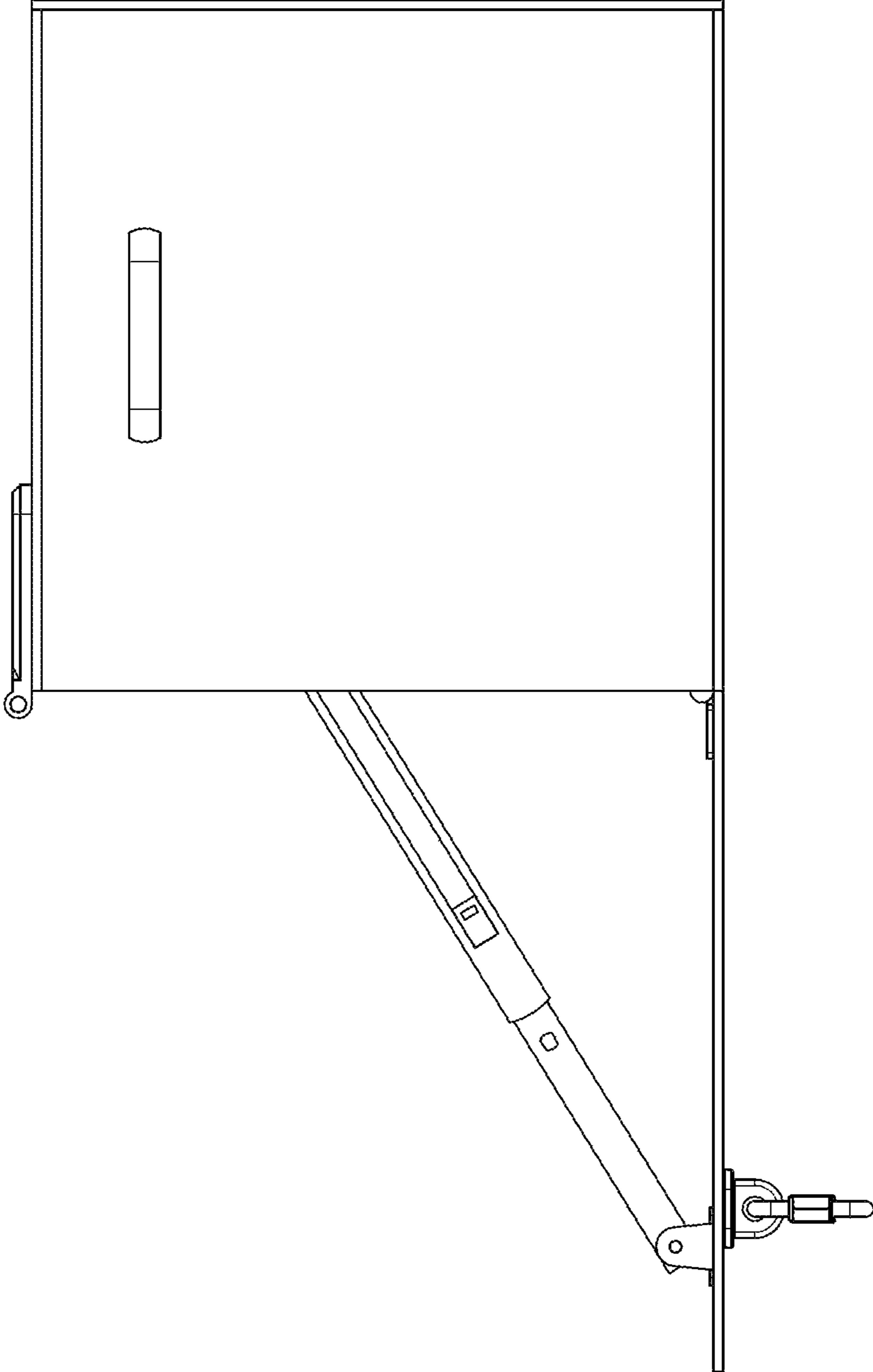


FIG. 13

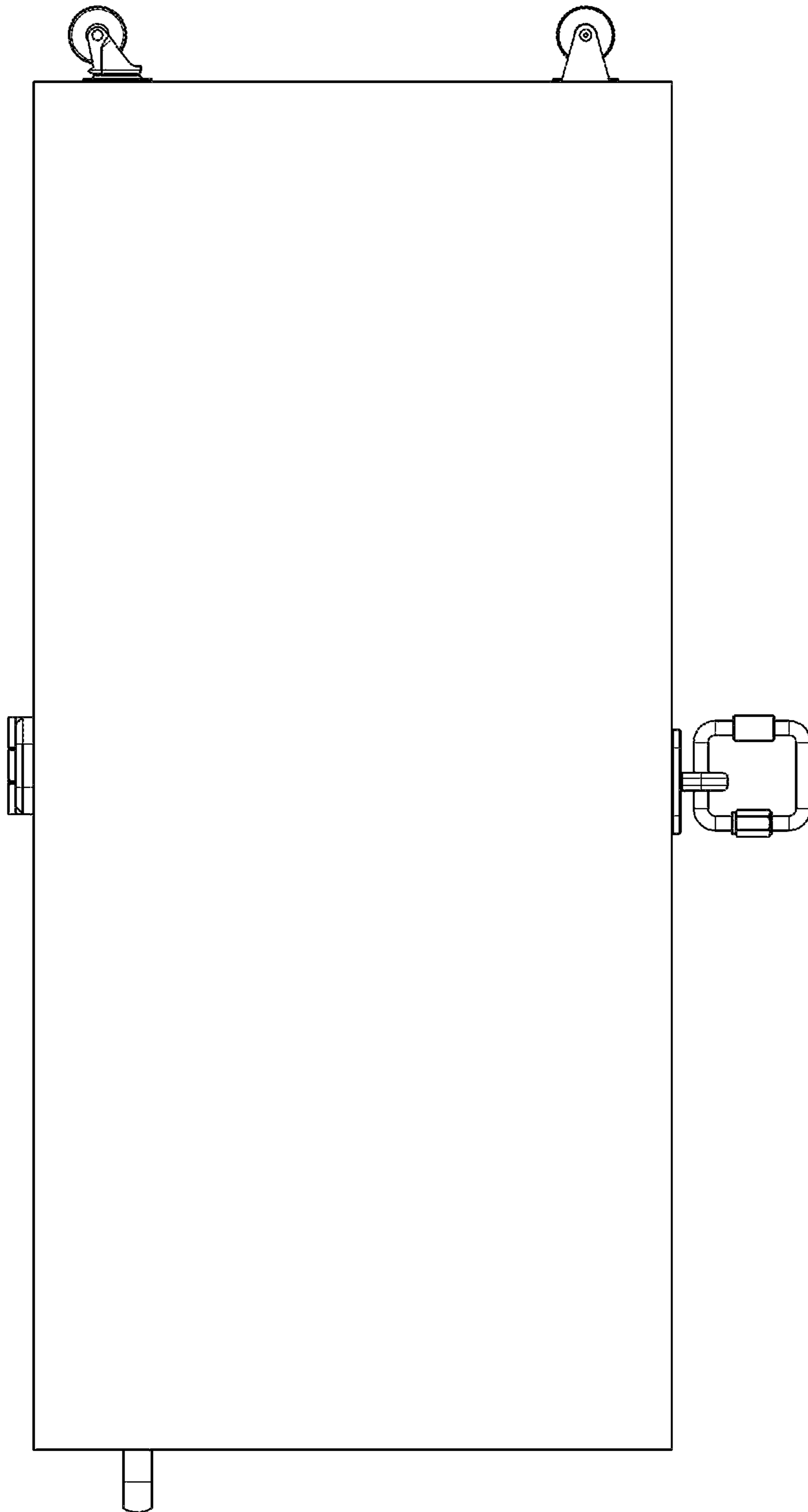


FIG. 14