



US00D914362S

(12) **United States Design Patent** (10) **Patent No.:** **US D914,362 S**
DeChant (45) **Date of Patent:** **** *Mar. 30, 2021**

(54) **HORIZONTAL BIFOLD CELL PHONE WALLET**

1,073,768 A 9/1913 Loveland
D45,677 S 4/1914 Shick
1,269,247 A 6/1918 Aslin

(Continued)

(71) Applicant: **Daniel A. DeChant**, Madison, WI (US)

(72) Inventor: **Daniel A. DeChant**, Madison, WI (US)

(*) Notice: This patent is subject to a terminal disclaimer.

(**) Term: **15 Years**

(21) Appl. No.: **29/669,805**

(22) Filed: **Nov. 12, 2018**

FOREIGN PATENT DOCUMENTS

CA 134785 10/2010
DE 197428065 U 11/1974

(Continued)

Primary Examiner — Marissa J Cash

(74) *Attorney, Agent, or Firm* — Michael Best & Friedrich LLP

Related U.S. Application Data

(63) Continuation of application No. 29/606,722, filed on Jun. 7, 2017, now Pat. No. Des. 833,143, which is a continuation of application No. 29/557,783, filed on Mar. 11, 2016, now Pat. No. Des. 790,216, which is a continuation of application No. 29/520,710, filed on Mar. 17, 2015, now Pat. No. Des. 754,434, which is a continuation of application No. 29/449,451, filed on Mar. 15, 2013, now Pat. No. Des. 728,228.

(51) **LOC (13) Cl.** **03-01**

(52) **U.S. Cl.**
USPC **D3/247**

(58) **Field of Classification Search**
USPC D3/247, 249–253
CPC A45C 1/06; A45C 3/08
See application file for complete search history.

(56) **References Cited**

U.S. PATENT DOCUMENTS

D13,040 S 7/1882 Brueck
658,394 A 9/1900 Peters
833,834 A 10/1906 Hille
940,853 A 11/1909 Cardwell
1,035,945 A 8/1912 Cardwell
1,035,946 A 8/1912 Cardwell

(57) **CLAIM**

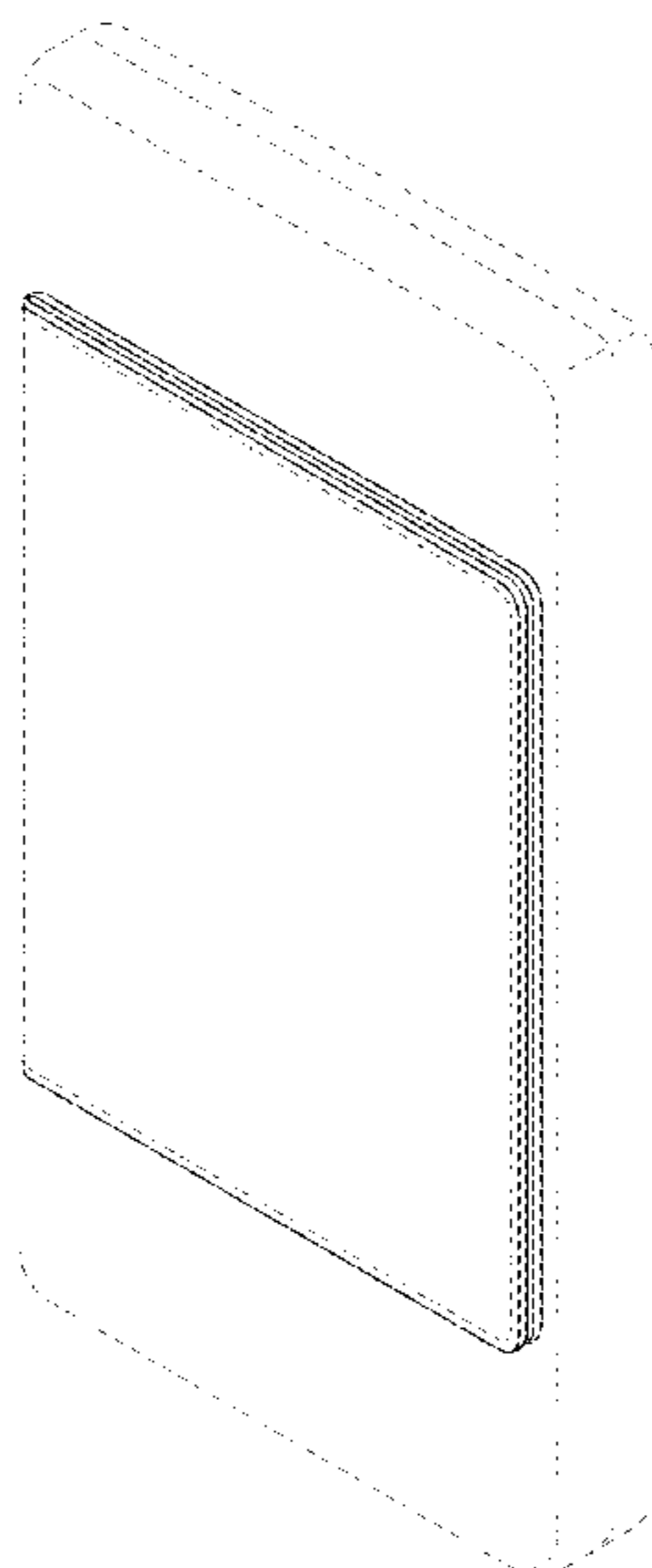
The ornamental design for a horizontal bifold cell phone wallet, as shown and described.

DESCRIPTION

FIG. 1 is a perspective view of a horizontal bifold cell phone wallet according to an embodiment showing my new design; FIG. 2 is a front view thereof; FIG. 3 is a rear view thereof; FIG. 4 is a left side view thereof; FIG. 5 is a right side view thereof; FIG. 6 is a top view thereof; FIG. 7 is a bottom view thereof; FIG. 8 is a perspective view of the horizontal bifold cell phone wallet in an open condition; FIG. 9 is a front view thereof; FIG. 10 is a rear view thereof; FIG. 11 is a left side view thereof; FIG. 12 is a right side view thereof; FIG. 13 is a top view thereof; and, FIG. 14 is a bottom view thereof.

The present application is directed to the design illustrated in the drawings. Portions of the cell phone wallet and the environment shown in broken lines form no part of the claimed design.

1 Claim, 10 Drawing Sheets



(56)

References Cited

U.S. PATENT DOCUMENTS

1,582,492 A 4/1926 Tantlinger
 1,671,297 A 5/1928 L'Enfant
 D101,819 S 11/1936 Miller
 D112,415 S 11/1938 Zumft
 D134,884 S 1/1943 Engelstein
 D178,800 S 9/1956 McKinnon
 D185,056 S 5/1959 Arkin
 3,162,227 A 12/1964 Bakken
 3,370,777 A 2/1968 Levi
 D224,631 S 8/1972 Morris
 D255,509 S 6/1980 Nathan et al.
 4,388,734 A 6/1983 Cowden
 D279,423 S 7/1985 Zucker
 4,705,086 A 11/1987 O'Neill
 D308,887 S 6/1990 Wyant
 4,934,573 A 6/1990 Jaeger
 4,942,913 A 7/1990 Musso
 D311,815 S 11/1990 Balsley
 D314,213 S 1/1991 Bishop
 D334,588 S 4/1993 Okola
 D340,355 S * 10/1993 Little D3/247
 D342,829 S * 1/1994 Mitchell D3/253
 D362,114 S 9/1995 Simhon
 D374,037 S 9/1996 Wyant
 D410,774 S 6/1999 Inbert
 D434,340 S 12/2000 Kojoori
 D434,899 S 12/2000 Kojoori
 D435,339 S 12/2000 Cleveland
 6,409,429 B1 6/2002 Belloni
 6,427,836 B1 8/2002 Bolanos
 D471,008 S 3/2003 Dubone
 D471,704 S 3/2003 Moore
 D475,526 S 6/2003 Gillespie et al.
 D492,483 S * 7/2004 Gildea D3/249
 D510,596 S 10/2005 Ong
 D527,899 S 9/2006 Morehead
 D539,538 S * 4/2007 Archer D3/249
 7,204,398 B1 4/2007 Smith, Sr.
 D551,446 S 9/2007 Elnekaveh
 7,418,987 B2 9/2008 Duffy
 7,496,971 B2 3/2009 Soto
 D594,656 S 6/2009 Wills
 D599,400 S 9/2009 Lapsker
 D608,092 S 1/2010 Holzner et al.
 D619,806 S 7/2010 Franks
 7,793,809 B2 9/2010 Howell
 D624,749 S 10/2010 Evans
 7,836,622 B1 11/2010 King et al.
 D630,011 S 1/2011 Knight et al.
 8,047,364 B2 1/2011 Longinotti-Buitoni
 D633,714 S 3/2011 Marshall

8,556,147 B2 10/2013 Howell
 8,678,258 B1 3/2014 Knight et al.
 8,833,379 B1 9/2014 Kaplan
 D727,019 S 4/2015 DeChant
 D727,619 S 4/2015 DeChant
 D728,229 S 5/2015 DeChant
 D728,928 S 5/2015 DeChant
 D730,646 S 6/2015 DeChant
 9,271,560 B2 3/2016 Buffinton et al.
 D754,433 S 4/2016 DeChant
 D754,434 S 4/2016 DeChant
 D755,513 S 5/2016 DeChant
 D756,641 S 5/2016 DeChant
 D756,643 S 5/2016 DeChant
 D764,167 S 8/2016 DeChant
 9,636,875 B2 5/2017 Hairston et al.
 D790,853 S 7/2017 DeChant
 D797,446 S * 9/2017 Kang D14/341
 D808,649 S 1/2018 DeChant
 D809,289 S 2/2018 DeChant
 D809,791 S 2/2018 DeChant
 D811,739 S 3/2018 DeChant
 D813,535 S 3/2018 Faulkner
 D822,988 S 7/2018 Taylor
 D828,024 S 9/2018 Serman
 D829,000 S 9/2018 DeChant
 D833,143 S 11/2018 DeChant
 2005/0126667 A1 6/2005 Bell
 2007/0057004 A1 3/2007 Butler et al.
 2007/0232372 A1 10/2007 Plaster
 2007/0262112 A1 11/2007 Butler et al.
 2008/0006355 A1 1/2008 Gomez Micone
 2008/0121322 A1 5/2008 Thomson
 2009/0050686 A1 2/2009 Kon et al.
 2009/0194571 A1 8/2009 Evans
 2011/0030860 A1 2/2011 Allen et al.
 2011/0057034 A1 3/2011 Maxwell
 2011/0277892 A1 11/2011 Black
 2012/0043234 A1 2/2012 Westrup
 2012/0050968 A1 3/2012 Child et al.
 2012/0168483 A1 7/2012 Jambunathan et al.
 2013/0140203 A1 6/2013 Chiang
 2014/0262853 A1 9/2014 DeChant

FOREIGN PATENT DOCUMENTS

DE 199107205 U1 7/1991
 GB 2145622 4/1985
 GB 2070518 11/1997
 GB 4019846 5/2011
 KR 300268261 6/2000
 WO D073447 3/2010
 WO 2012087152 6/2012

* cited by examiner

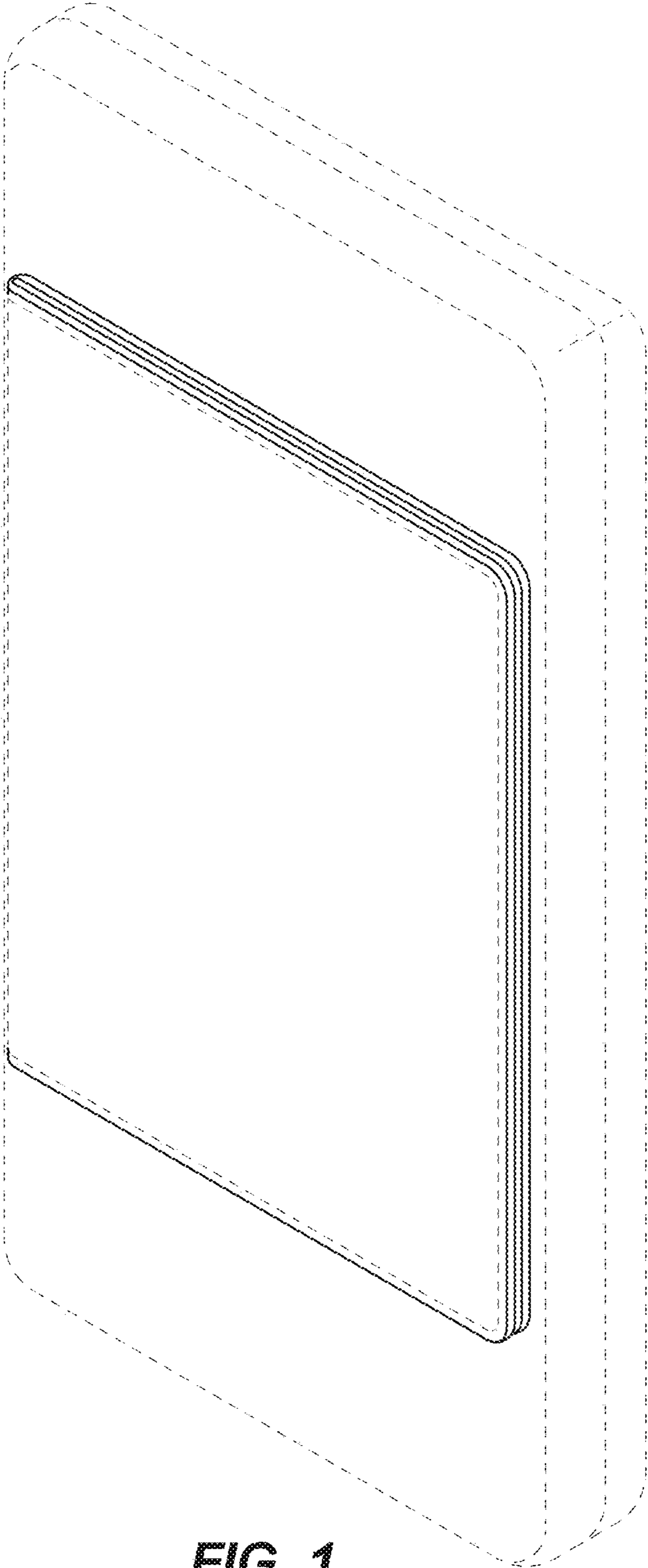


FIG. 1

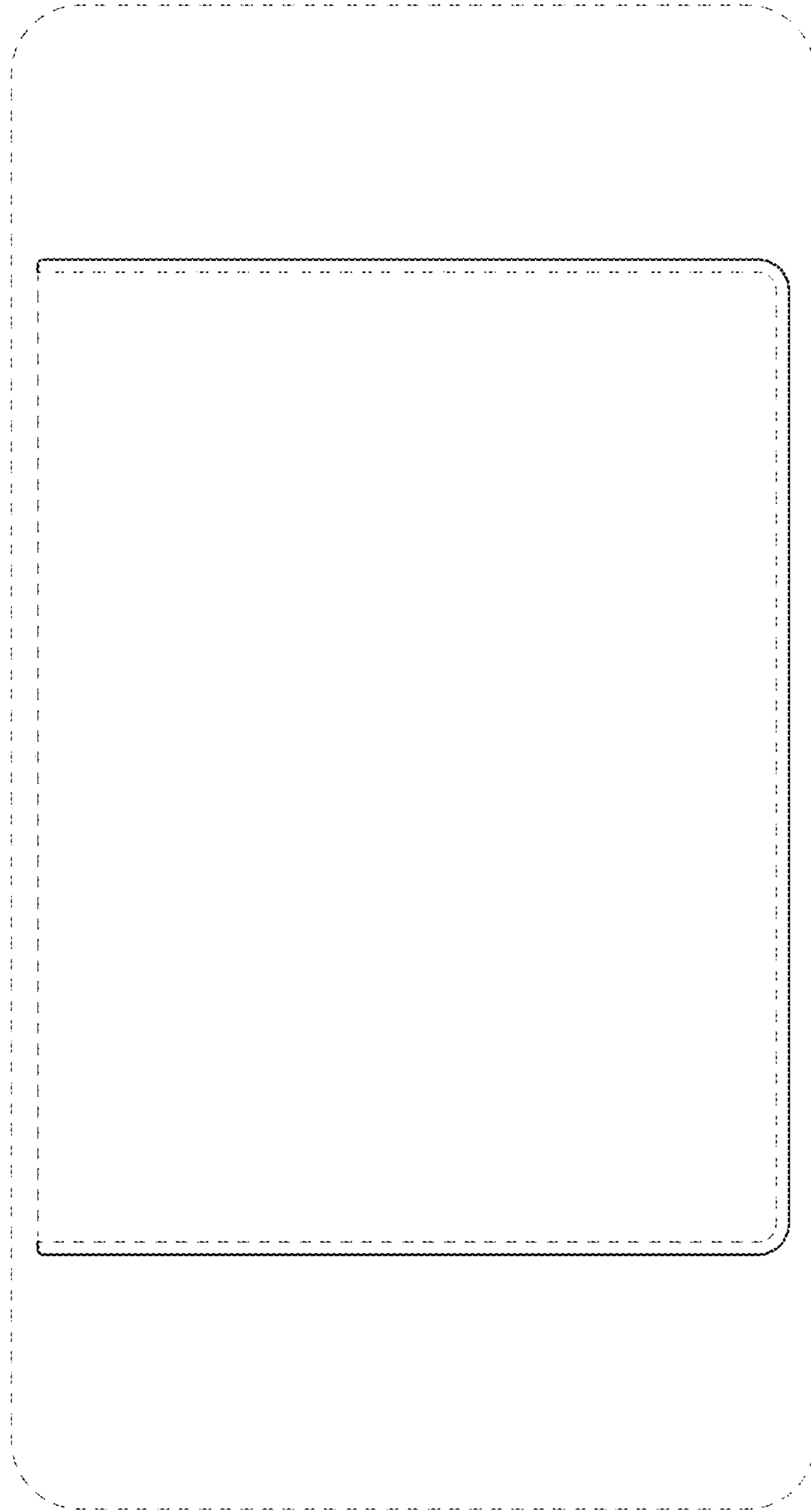


FIG. 2

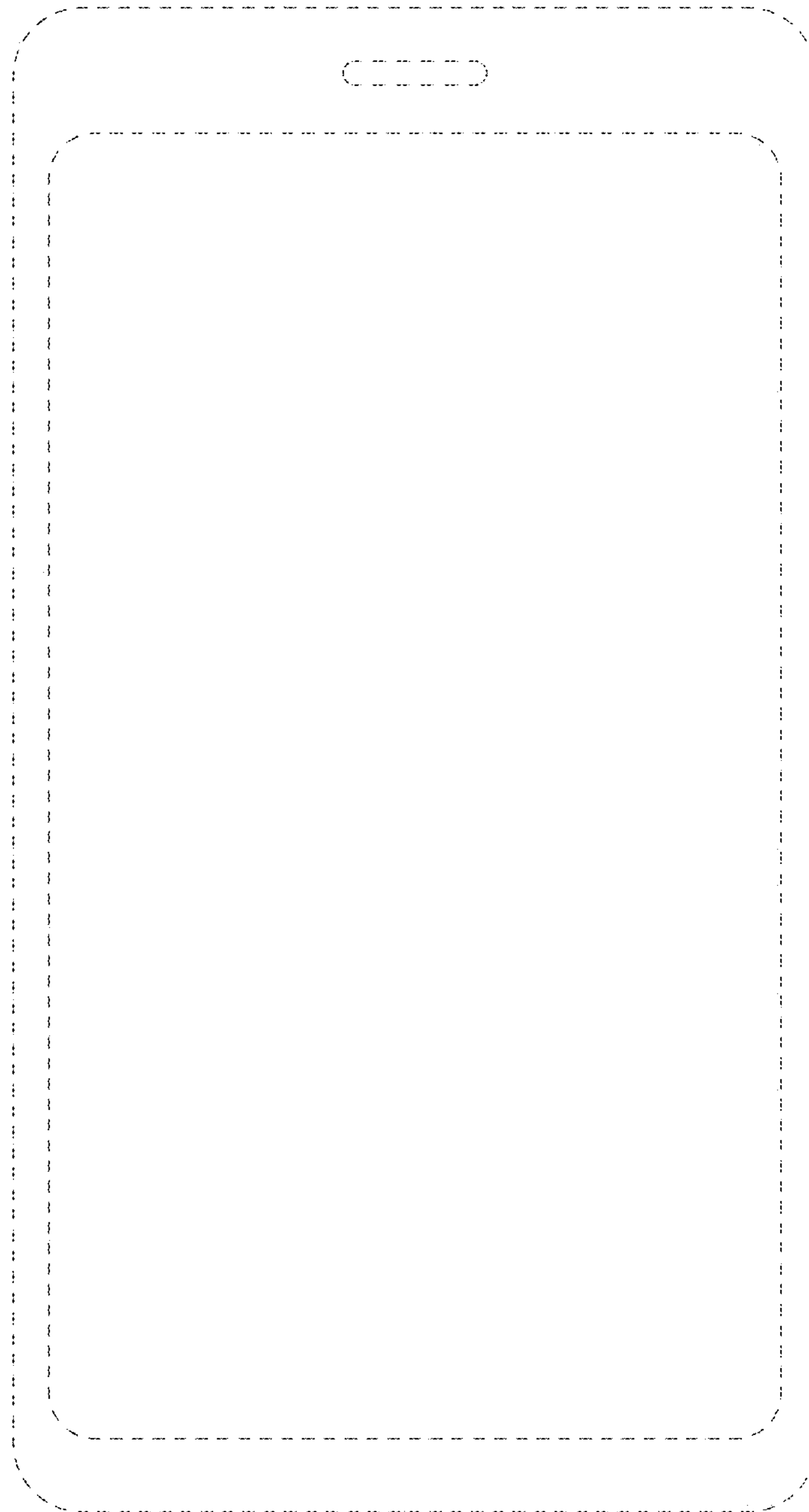


FIG. 3

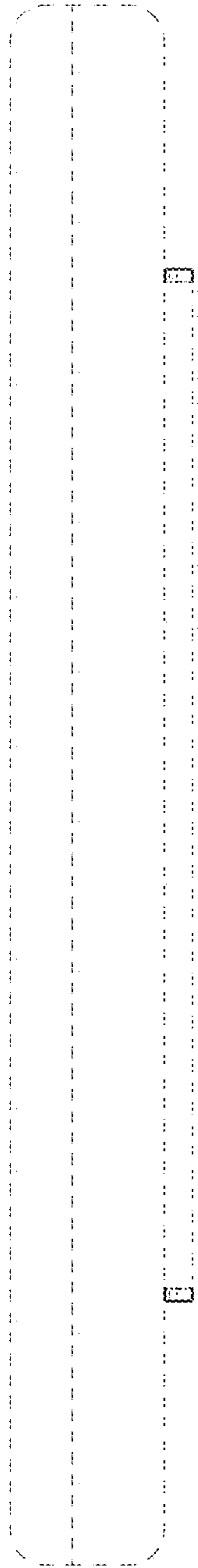


FIG. 4

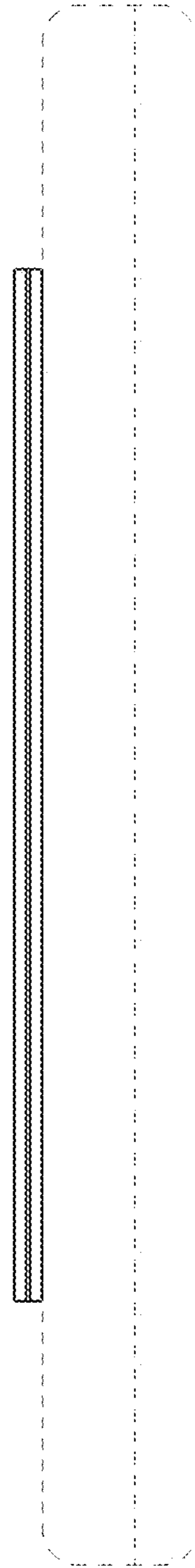


FIG. 5

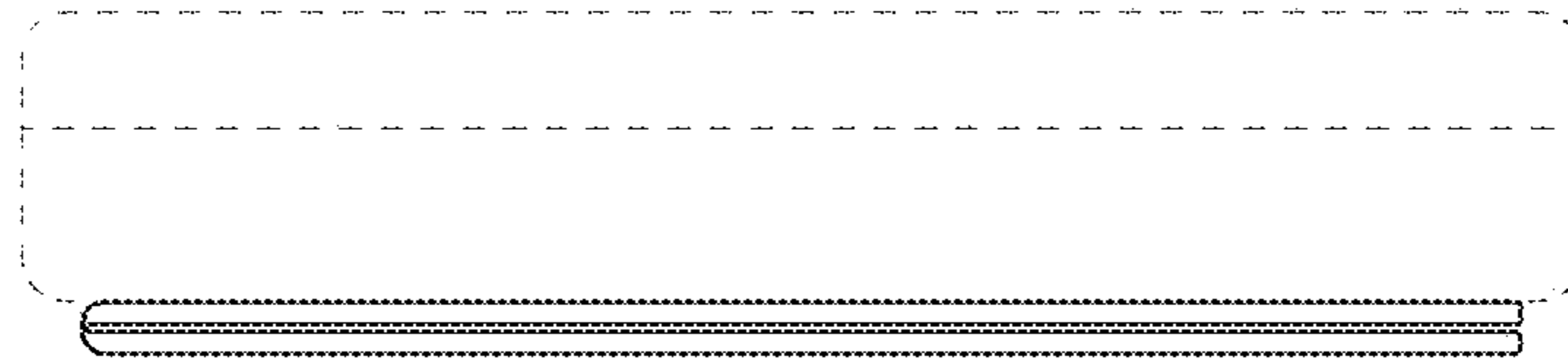


FIG. 6

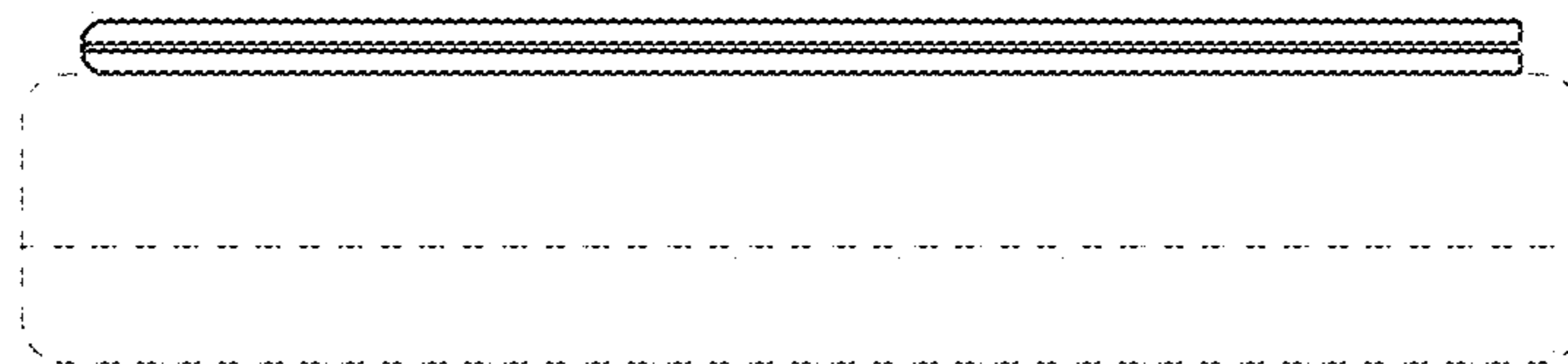


FIG. 7

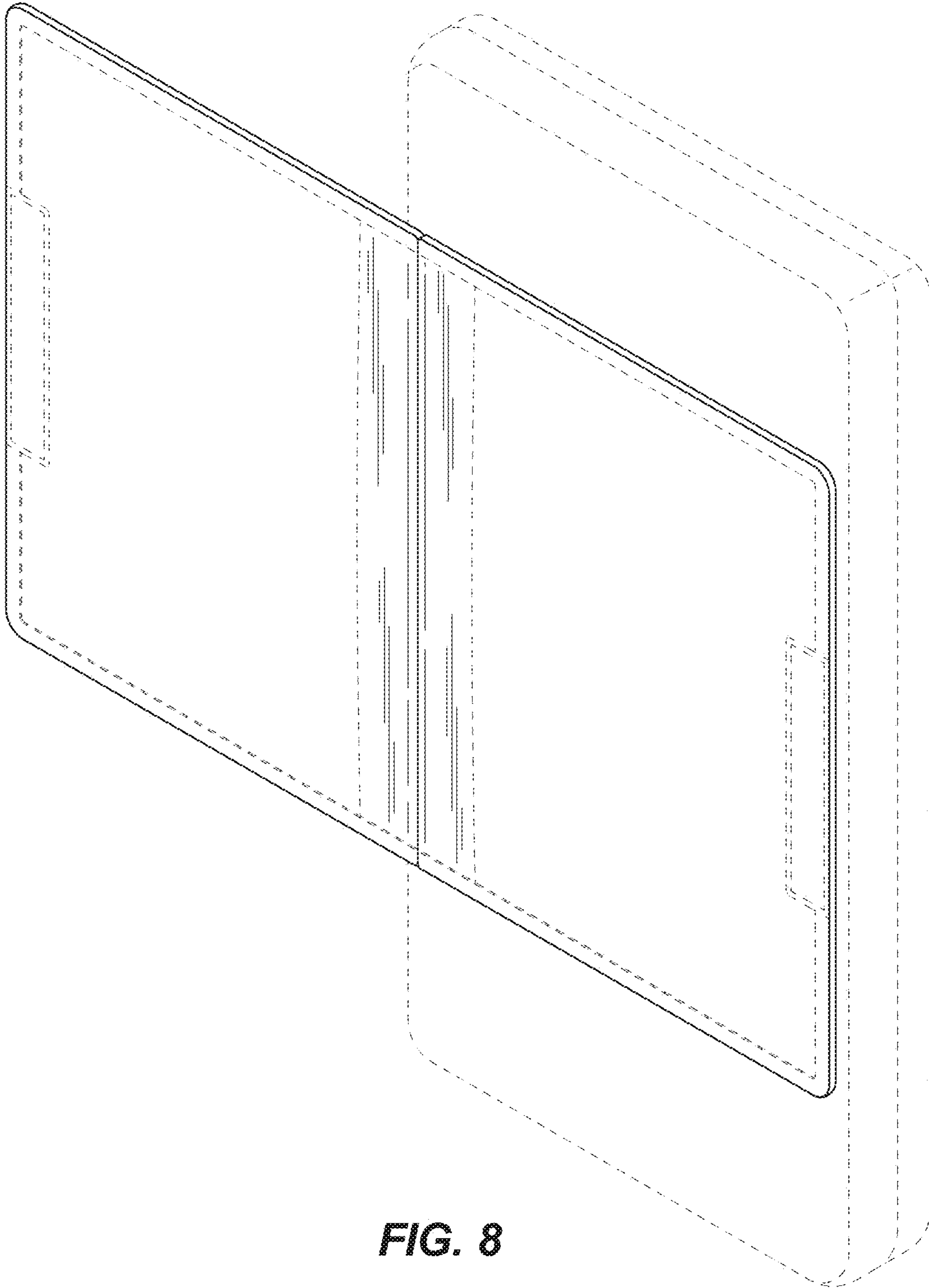


FIG. 8

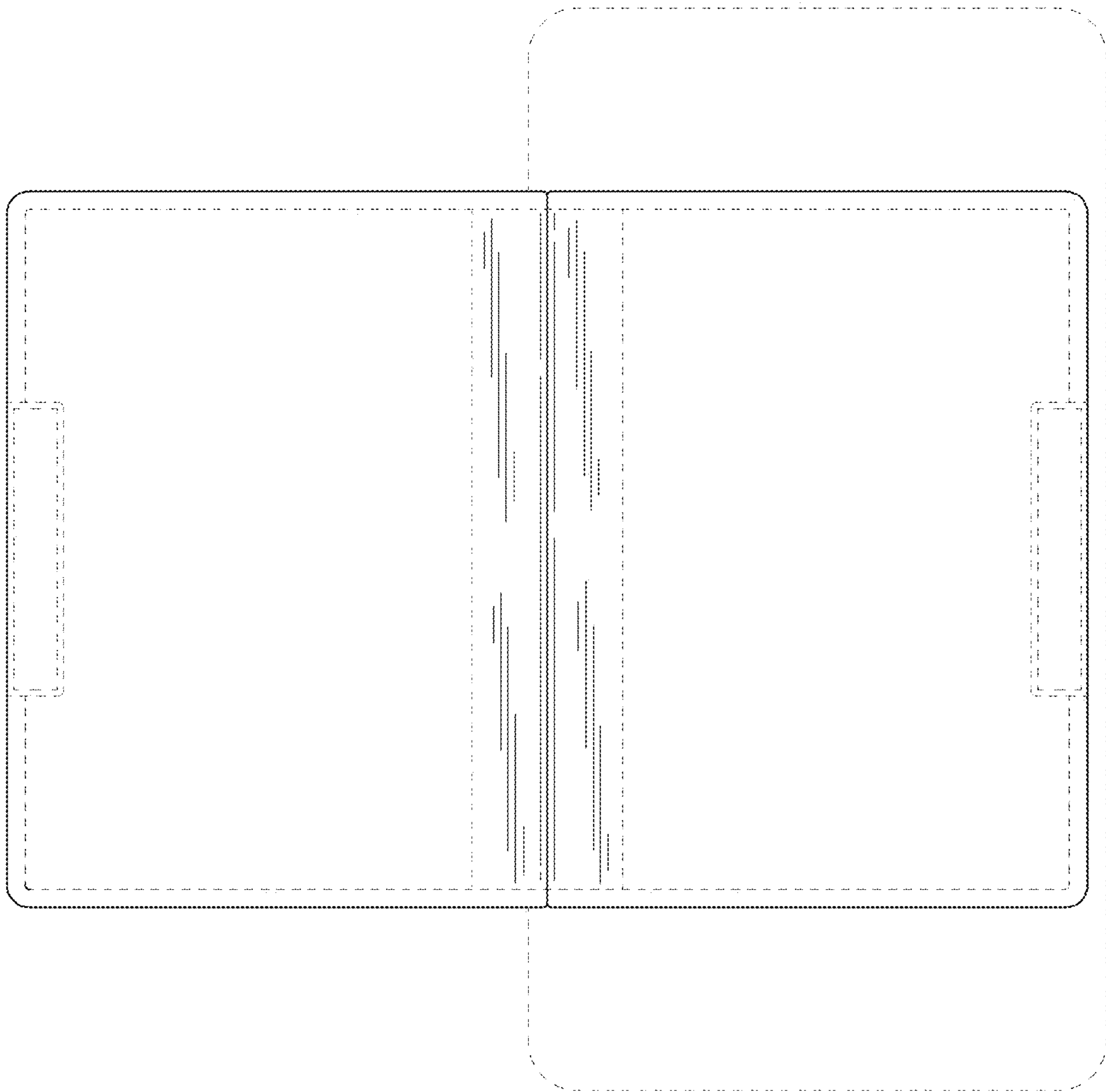


FIG. 9

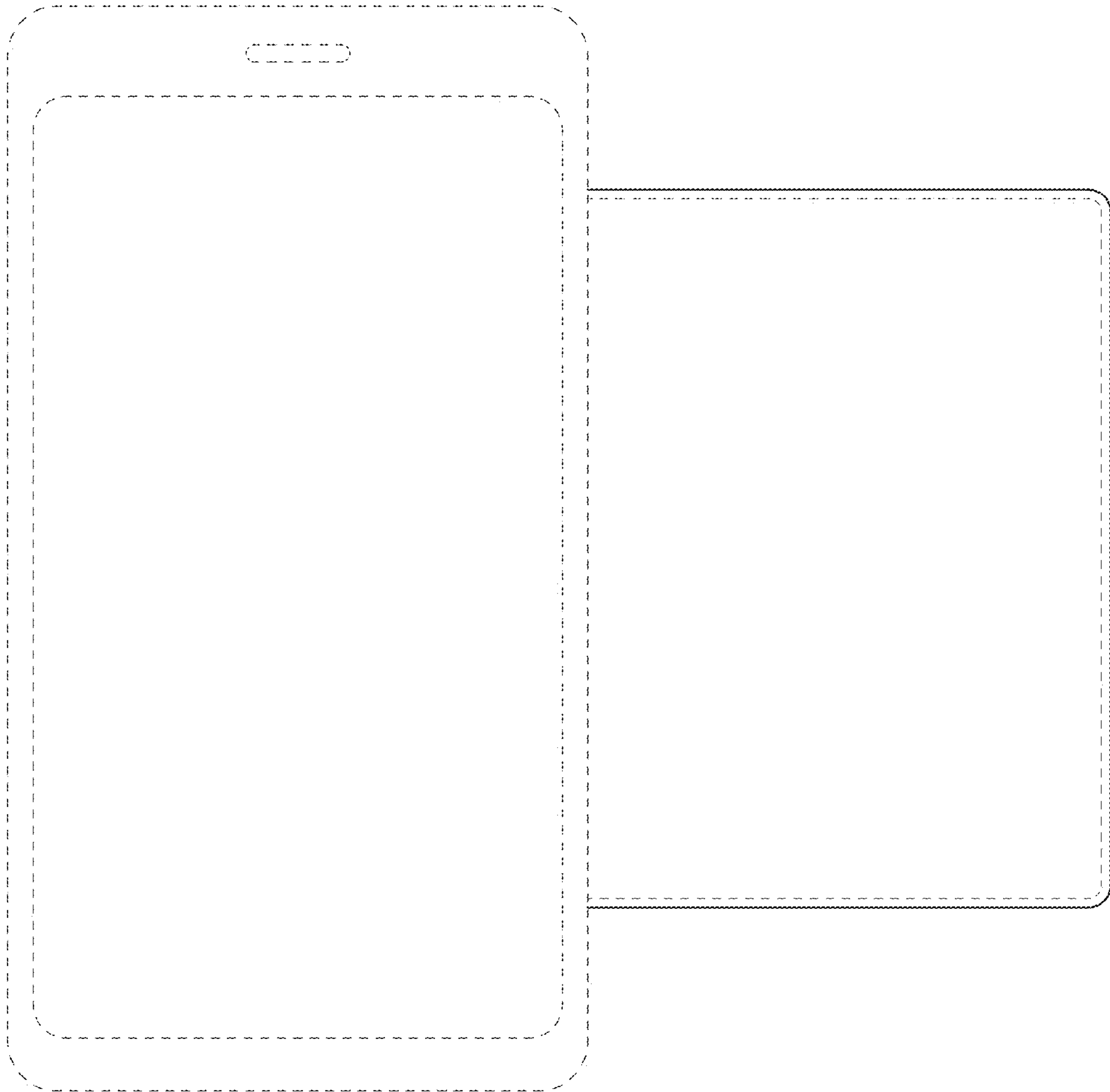


FIG. 10

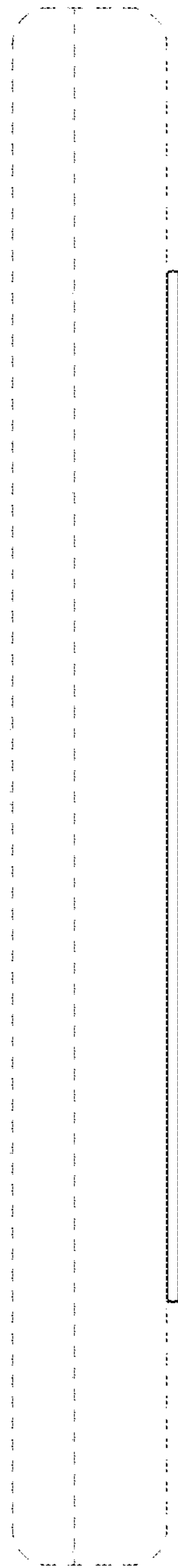


FIG. 11

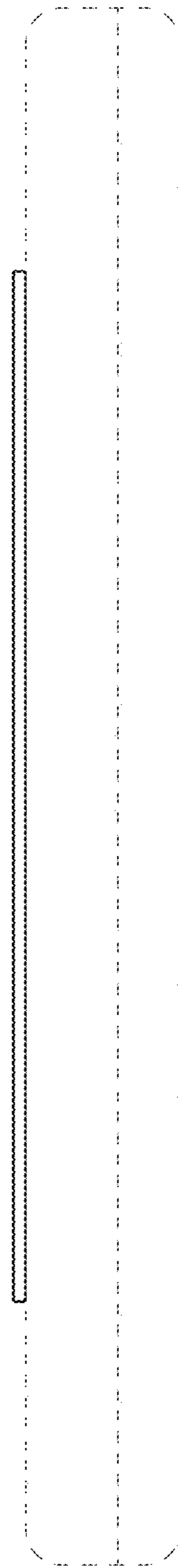


FIG. 12

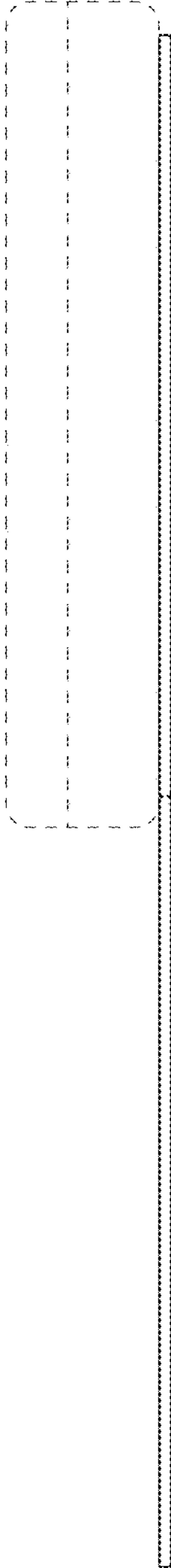


FIG. 13

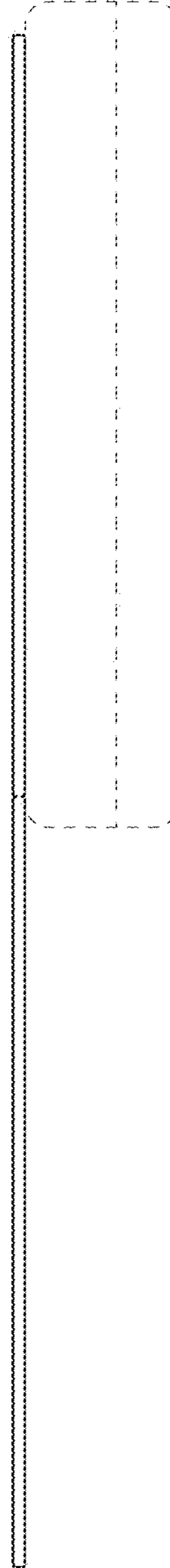


FIG. 14