

US00D914361S

(12) **United States Design Patent** (10) **Patent No.:** **US D914,361 S**  
**Lam** (45) **Date of Patent:** **\*\* Mar. 30, 2021**

(54) **BELT ACCESSORY SYSTEM**

(74) *Attorney, Agent, or Firm* — Sheridan Ross P.C.

(71) Applicant: **Tu Lam**, Colorado Springs, CO (US)

(57) **CLAIM**

(72) Inventor: **Tu Lam**, Colorado Springs, CO (US)

The ornamental design for a belt accessory system, as shown and described.

(73) Assignee: **RONIN TACTICS, INC.**, Colorado Springs, CO (US)

**DESCRIPTION**

(\*\*) Term: **15 Years**

FIG. 1 is a front perspective view showing a belt accessory system of the new design in a position of use proximate to a belt;

(21) Appl. No.: **29/658,100**

FIG. 2 is a front perspective view showing an outer sleeve of the belt accessory system;

(22) Filed: **Jul. 27, 2018**

FIG. 3 is a top plan view of the outer sleeve of FIG. 2;

(51) **LOC (13) Cl.** ..... **03-01**

FIG. 4 is a front elevation view of the outer sleeve of FIG. 2;

(52) **U.S. Cl.**

USPC ..... **D3/224**

FIG. 5 is a bottom plan view of the outer sleeve of FIG. 2; FIG. 6 is a right elevation view of the outer sleeve of FIG. 2;

(58) **Field of Classification Search**

USPC ..... D3/215, 221, 224, 228; 224/236, 242, 224/660, 664, 587, 931, 681-682, 679,

(Continued)

FIG. 7 is a left elevation view of the outer sleeve of FIG. 2; FIG. 8 is a rear elevation view of the outer sleeve of FIG. 2; FIG. 9 is a front perspective view showing another embodiment of a belt accessory system of the new design in a position of use proximate to a belt;

(56) **References Cited**

**U.S. PATENT DOCUMENTS**

682,877 A \* 9/1901 Mills ..... 224/240  
1,421,451 A \* 7/1922 Garberding ..... F42B 39/02  
224/587

(Continued)

FIG. 10 is a front perspective view showing an outer sleeve of the belt accessory system of FIG. 9;

**FOREIGN PATENT DOCUMENTS**

WO WO 2012/039763 3/2012

FIG. 11 is a top plan view of the outer sleeve of FIG. 10;

**OTHER PUBLICATIONS**

Tamrac Anvil T0375 M.A.S. & M.O.L.L.E Modular Accessory Slim Belt (Medium), bhphotovideo.com (Year: 2015).\*  
Condor Gen II Battle Belt, TacticalGear.com (Year: 2015).\*

FIG. 12 is a front elevation view of the outer sleeve of FIG. 10;

FIG. 13 is a bottom plan view of the outer sleeve of FIG. 10; FIG. 14 is a right cross-sectional elevation view of the outer sleeve taken along line 14-14 of FIG. 12;

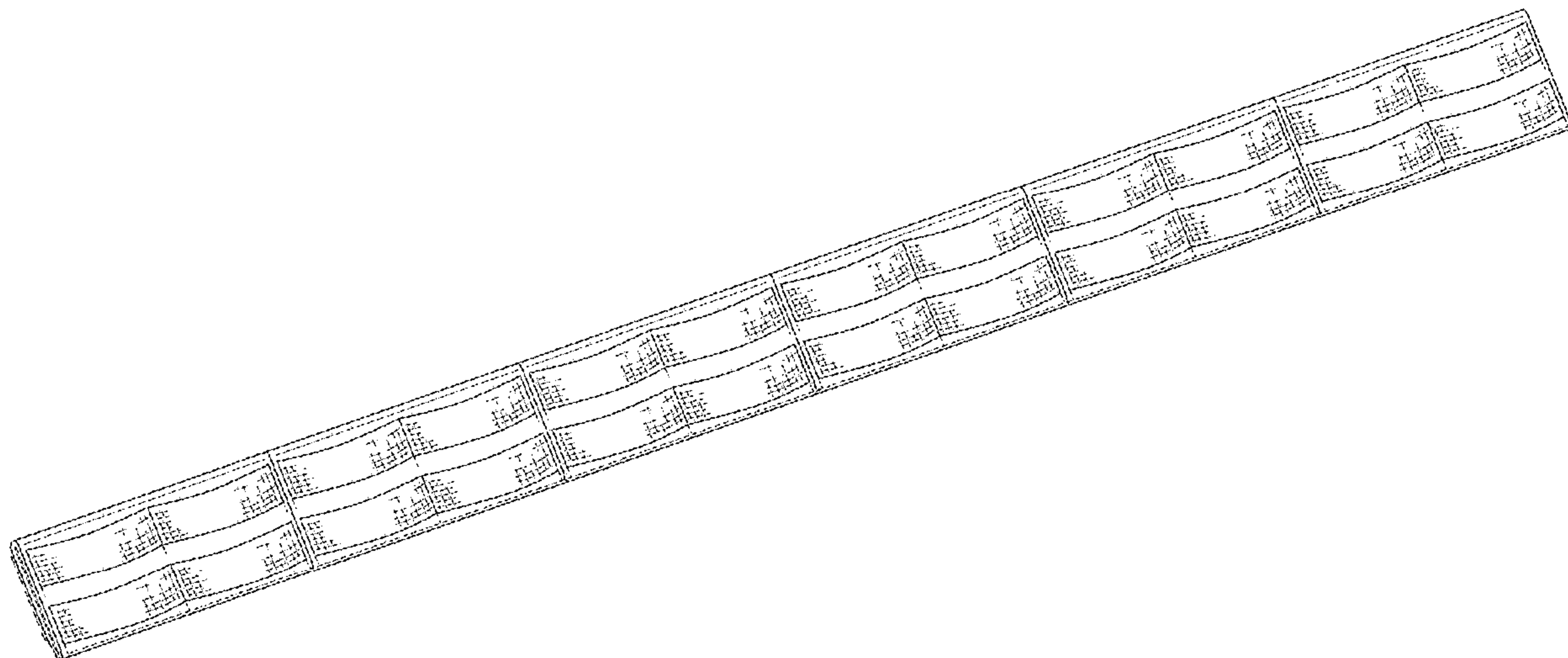
FIG. 15 is a left cross-sectional elevation view of the outer sleeve taken along line 15-15 of FIG. 12; and,

FIG. 16 is a rear elevation view of the outer sleeve of FIG. 10.

The broken lines in the drawings illustrate the portions of the belt accessory system or environmental structure that form no part of the claimed design.

*Primary Examiner* — Catherine R Oliver-Garcia

**1 Claim, 10 Drawing Sheets**



(58) **Field of Classification Search**  
 USPC ..... 224/676-677, 901.4, 901.6, 914; 2/300,  
 2/311-312  
 CPC .... A45F 3/14; A45F 5/021; A45F 9/00; A45F  
 2003/144; A45F 2200/0591; A45F  
 2200/0558; A45F 2200/22; A45F  
 2200/0566; A45F 2200/0575; A41F  
 9/002; A41F 9/025; A61F 5/028; F41C  
 33/02; F41C 33/046; F42B 39/02  
 See application file for complete search history.

7,644,449 B2 1/2010 Hellweg  
 7,694,862 B2 4/2010 Bergeron  
 7,762,440 B2 7/2010 Cook  
 7,963,427 B2 6/2011 Calkin  
 8,011,545 B2 9/2011 Murdoch et al.  
 8,087,560 B2 1/2012 Crye  
 8,225,976 B2 7/2012 Meunier  
 8,453,899 B1 6/2013 Calkin  
 8,474,673 B2 7/2013 Murdoch et al.  
 8,544,706 B2 10/2013 Crye  
 8,635,714 B2 1/2014 Hazlett  
 8,720,762 B2 5/2014 Hilliard et al.  
 8,785,778 B2 7/2014 Streeter et al.  
 8,950,640 B2\* 2/2015 Iannello ..... A45F 3/14  
 224/272

(56) **References Cited**

U.S. PATENT DOCUMENTS

1,703,138 A \* 2/1929 Falcone ..... A63B 57/203  
 224/223  
 3,664,560 A 5/1972 Perkins  
 D231,982 S \* 7/1974 Farquharson ..... D3/224  
 4,747,527 A 5/1988 Trumpower, II  
 4,804,121 A \* 2/1989 Stanton ..... A63B 57/00  
 224/191  
 4,957,231 A 9/1990 Kalisher  
 4,976,388 A \* 12/1990 Coontz ..... A45C 13/30  
 224/150  
 5,150,825 A 9/1992 Nichols  
 5,464,136 A 11/1995 Eddy  
 5,484,093 A 1/1996 Hellweg et al.  
 5,724,707 A 3/1998 Kirk et al.  
 D395,357 S \* 6/1998 Bader ..... D3/215  
 5,819,320 A 10/1998 Jolla  
 D412,243 S \* 7/1999 Shkreli ..... D3/222  
 5,941,438 A 8/1999 Price  
 6,015,073 A 1/2000 Wojciak et al.  
 6,264,081 B1 7/2001 Wojciak et al.  
 6,279,804 B1 8/2001 Gregg  
 6,701,534 B2 3/2004 Guibord  
 7,258,259 B1 8/2007 Owens  
 7,314,152 B1 1/2008 Garrett  
 7,526,842 B2 5/2009 Wemmer  
 7,575,136 B2 8/2009 Kernkamp

8,985,411 B2 3/2015 Mongan et al.  
 9,055,773 B2 6/2015 Crye  
 9,144,255 B1 9/2015 Perciballi  
 9,173,436 B2 11/2015 Crye  
 D745,766 S \* 12/2015 Oppelt ..... D2/627  
 9,339,102 B2 5/2016 Iosilevich et al.  
 D794,949 S \* 8/2017 Zimmer ..... D3/224  
 D799,814 S \* 10/2017 Reed ..... D3/215  
 D807,029 S \* 1/2018 Resca ..... D3/222  
 D850,101 S \* 6/2019 Mironski ..... D3/224  
 2007/0057003 A1 3/2007 Keyes  
 2008/0223888 A1 9/2008 Meunier  
 2008/0257922 A1 10/2008 Cragg  
 2009/0139014 A1 6/2009 Trochlil-Crist  
 2009/0235431 A1 9/2009 Bevley  
 2010/0025560 A1 2/2010 Beck  
 2010/0107310 A1 5/2010 Taylor  
 2012/0111882 A1 5/2012 Milligan et al.  
 2013/0025027 A1 1/2013 Spence  
 2013/0115393 A1 5/2013 Beck  
 2013/0256358 A1 10/2013 Beck  
 2014/0075650 A1 3/2014 Garrison et al.  
 2014/0259300 A1 9/2014 Losilevich et al.  
 2015/0082503 A1 3/2015 Beck  
 2015/0135409 A1 5/2015 Mongan et al.  
 2015/0150363 A1 6/2015 Cavolt  
 2015/0300797 A1 10/2015 Akhavan et al.

\* cited by examiner

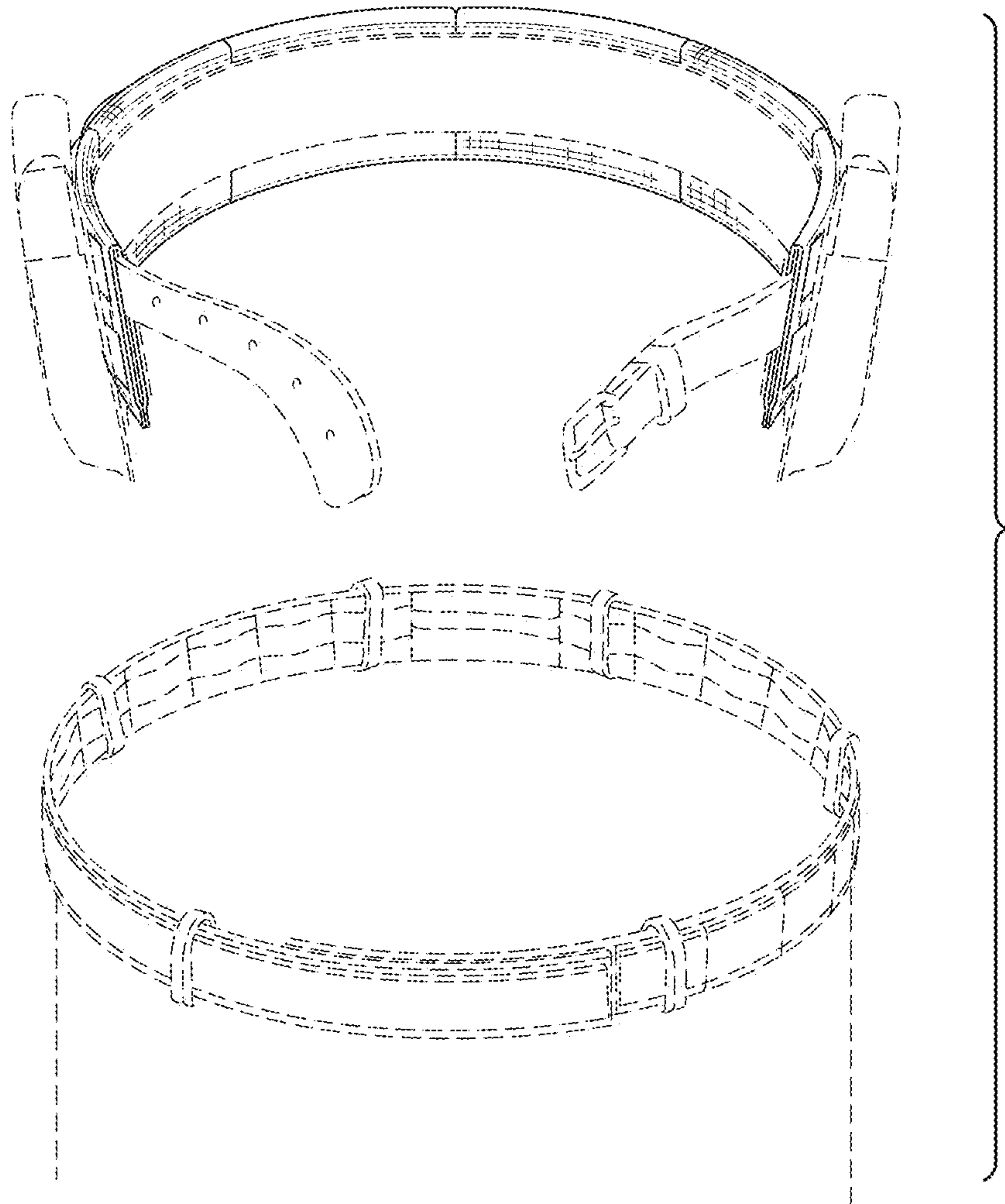


FIG. 1



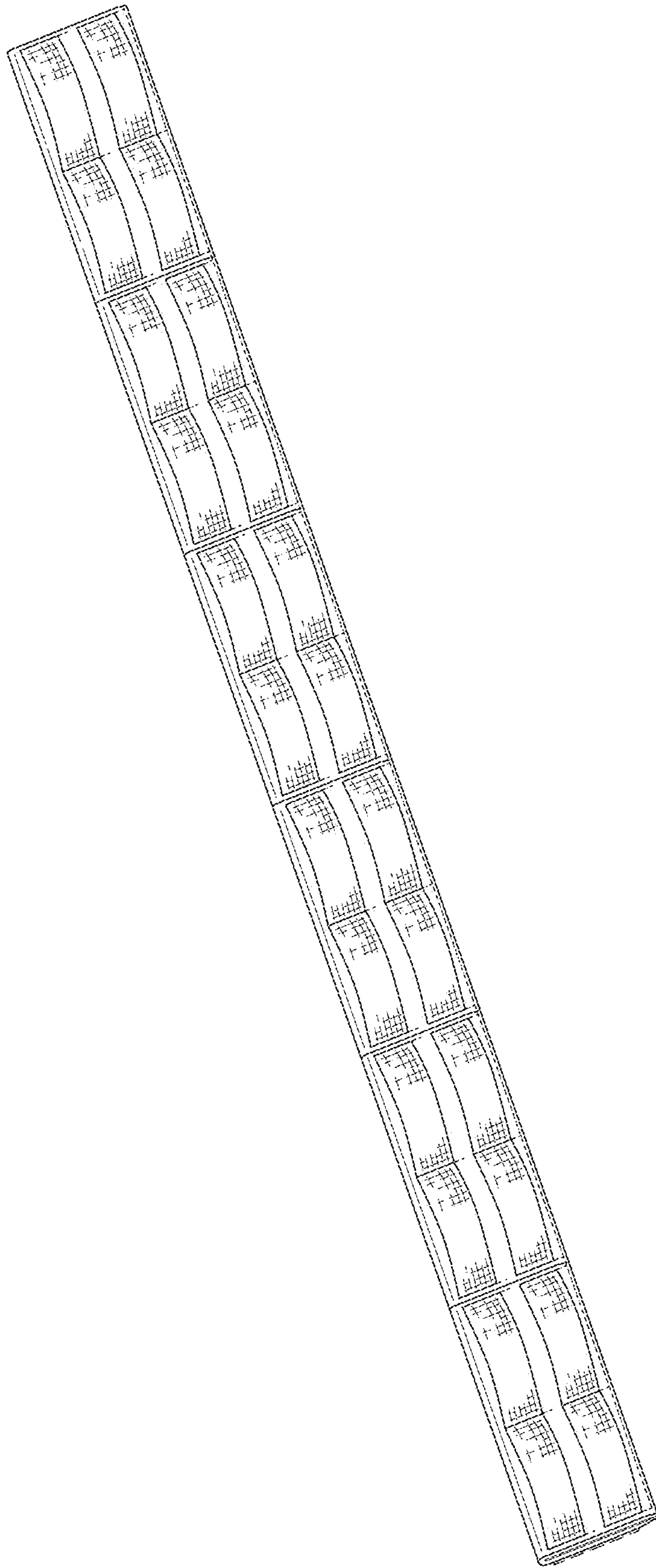


FIG.2



FIG. 3

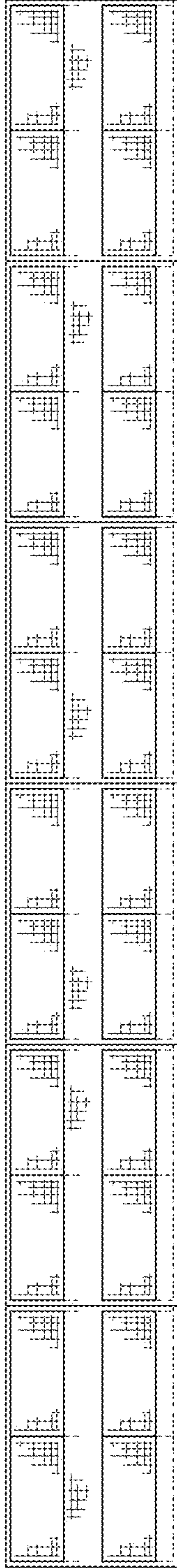


FIG. 4



FIG. 5

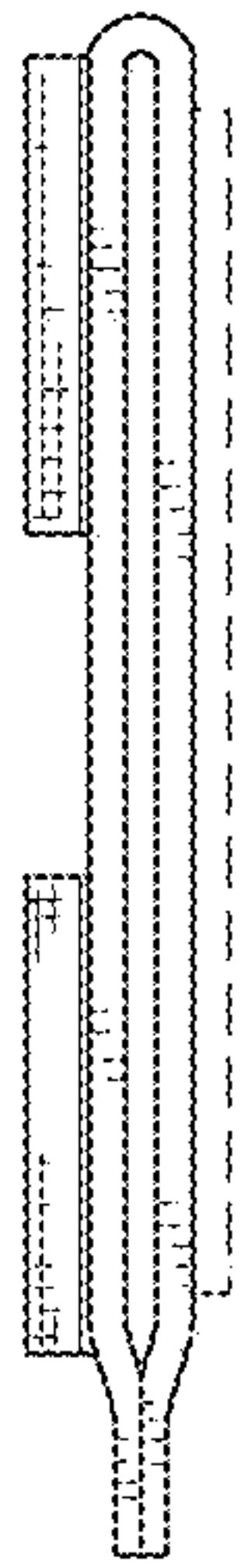


FIG. 6



FIG. 7

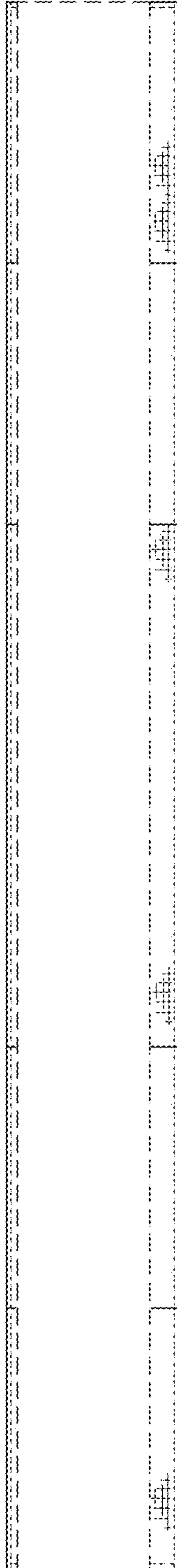


FIG.8

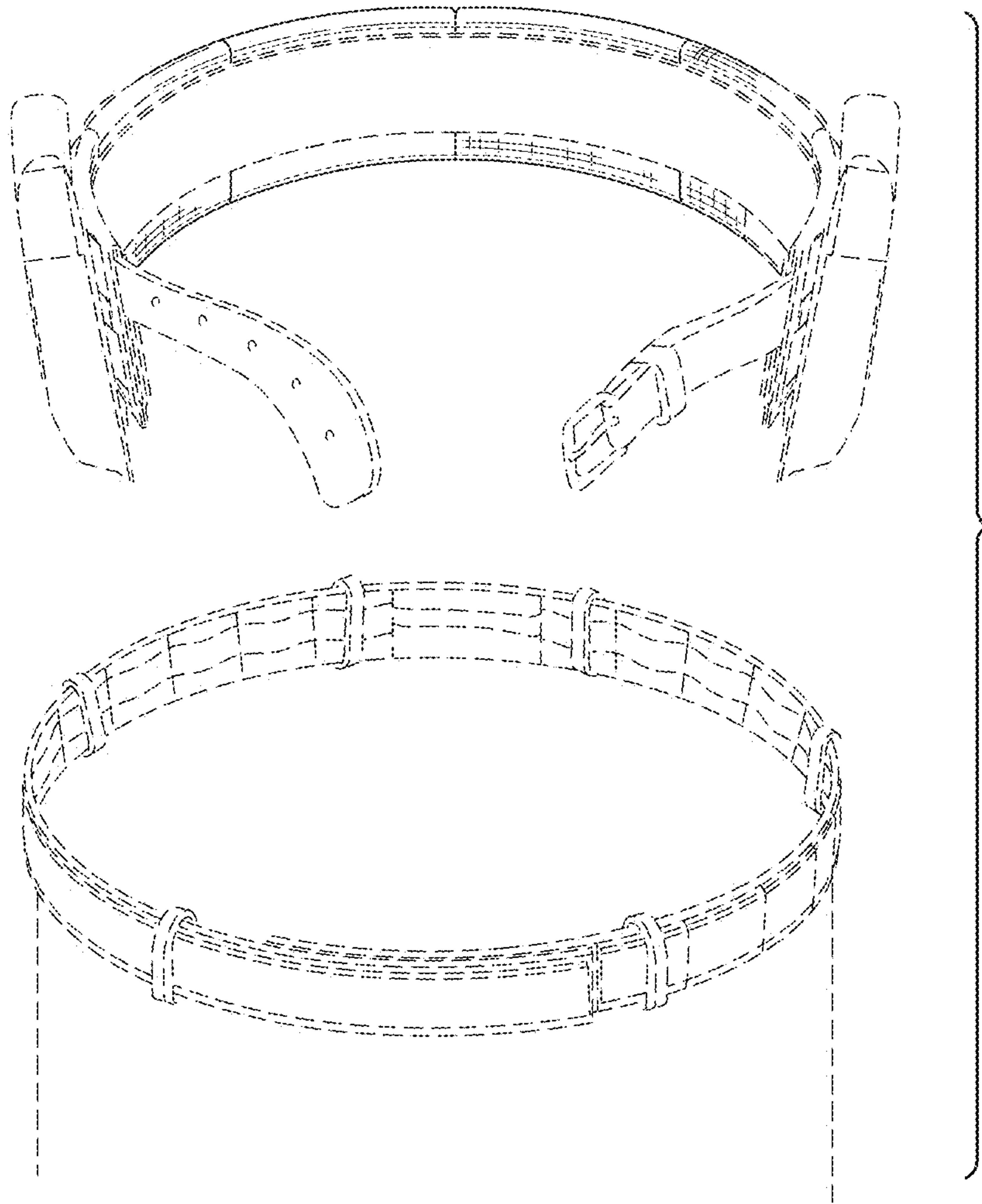


FIG.9



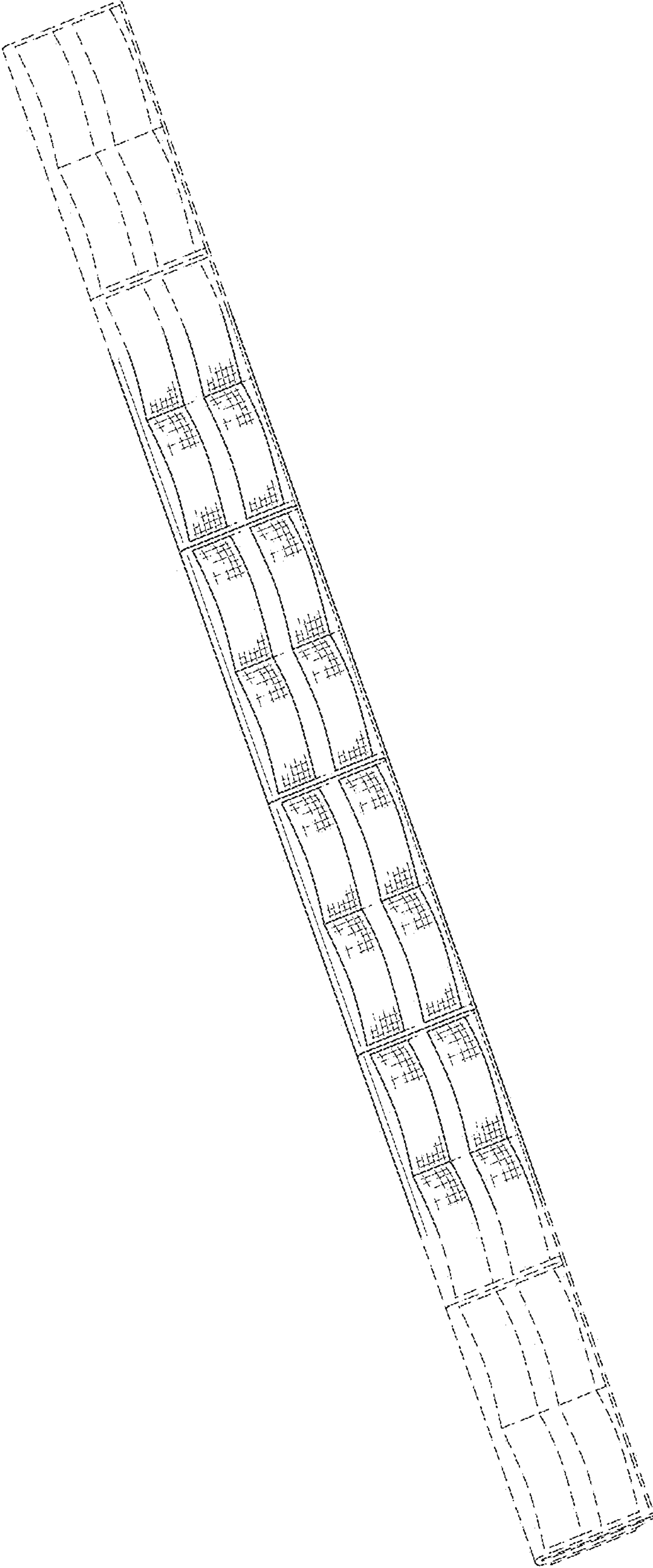


FIG.10



FIG. 11

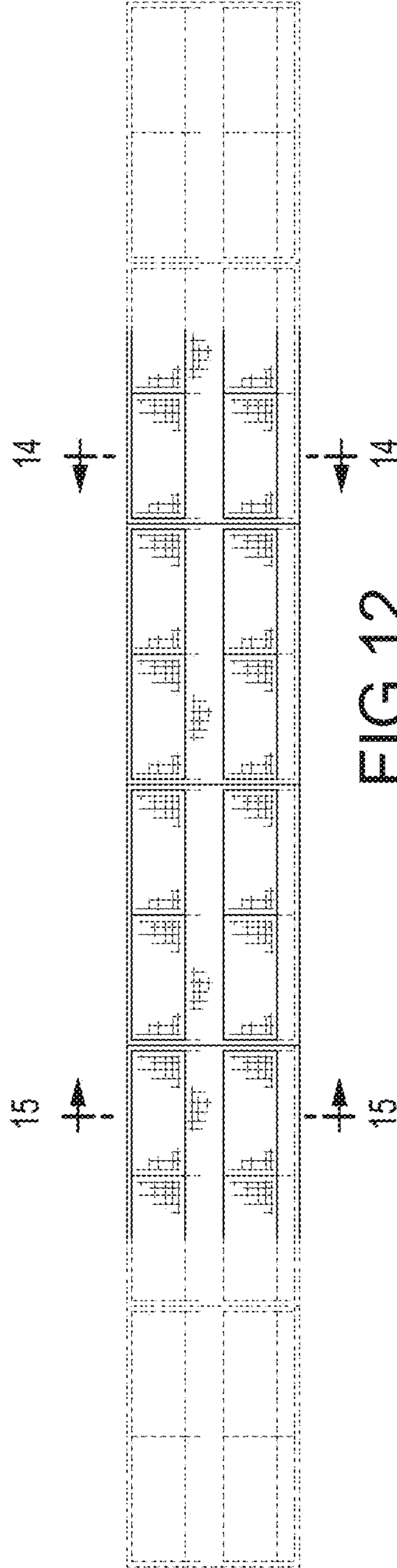


FIG. 12



FIG. 13

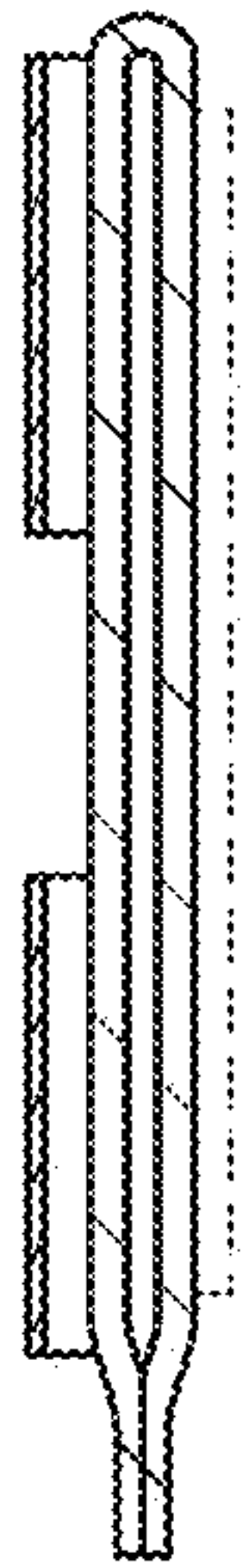


FIG.14



FIG.15

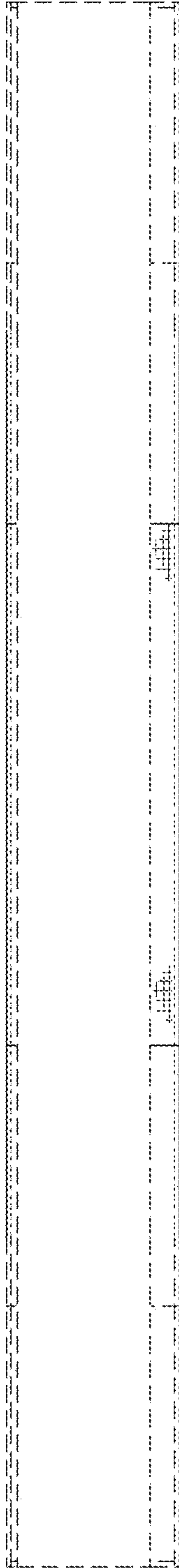


FIG. 16