



US00D914359S

(12) **United States Design Patent**
Barber

(10) **Patent No.:** **US D914,359 S**
(45) **Date of Patent:** **** Mar. 30, 2021**

(54) **REVOLVER CYLINDER KEYCHAIN**
(71) Applicant: **David Barber**, Prescott Valley, AZ
(US)
(72) Inventor: **David Barber**, Prescott Valley, AZ
(US)
(**) Term: **15 Years**
(21) Appl. No.: **29/702,568**
(22) Filed: **Aug. 20, 2019**
(51) **LOC (13) Cl.** **03-01**
(52) **U.S. Cl.**
USPC **D3/207; D3/211; D22/108**
(58) **Field of Classification Search**
USPC D3/203.1, 207, 208, 209, 210, 211, 212,
D3/249; D8/34, 38, 105; D22/108
CPC Y10T 70/873; Y10T 70/8757; Y10T
24/1379; Y10T 24/45026; Y10T 70/8676;
Y10T 70/8703; A44B 15/002; A44B
15/00; A44B 15/005; A45C 11/325
See application file for complete search history.

6,385,888 B1 * 5/2002 Power F41A 19/52
42/65
D615,293 S * 5/2010 Glaser F41C 3/14
D3/207
D615,748 S * 5/2010 Glaser F41C 3/14
D3/207
D620,697 S * 8/2010 Glaser F41C 3/14
D3/207
D626,328 S * 11/2010 Glaser F41C 3/14
D3/207
D788,253 S * 5/2017 Sapio F41C 3/14
D22/108
2001/0027786 A1 * 10/2001 Kunimoto F41B 11/89
124/73
2005/0199008 A1 * 9/2005 Boland A44B 15/00
63/37
2016/0084604 A1 * 3/2016 Lyman F41A 15/02
42/68

* cited by examiner

Primary Examiner — Kevin K Rudzinski
Assistant Examiner — Amber J Rabie
(74) *Attorney, Agent, or Firm* — Weiss & Moy, P.C.;
Jeffrey D. Moy

(56) **References Cited**

U.S. PATENT DOCUMENTS

2,806,316 A * 9/1957 Ruger F41C 3/14
42/59
3,711,982 A * 1/1973 Baker F41A 15/02
42/62
4,024,663 A * 5/1977 Baker F41C 3/14
42/67
4,228,608 A * 10/1980 Casull F41C 3/14
42/67
4,307,530 A * 12/1981 Melcher F41C 3/14
42/67
4,771,561 A * 9/1988 Waiser F41C 3/14
42/59
D444,941 S * 7/2001 Pisarevsky F41B 11/89
D3/207

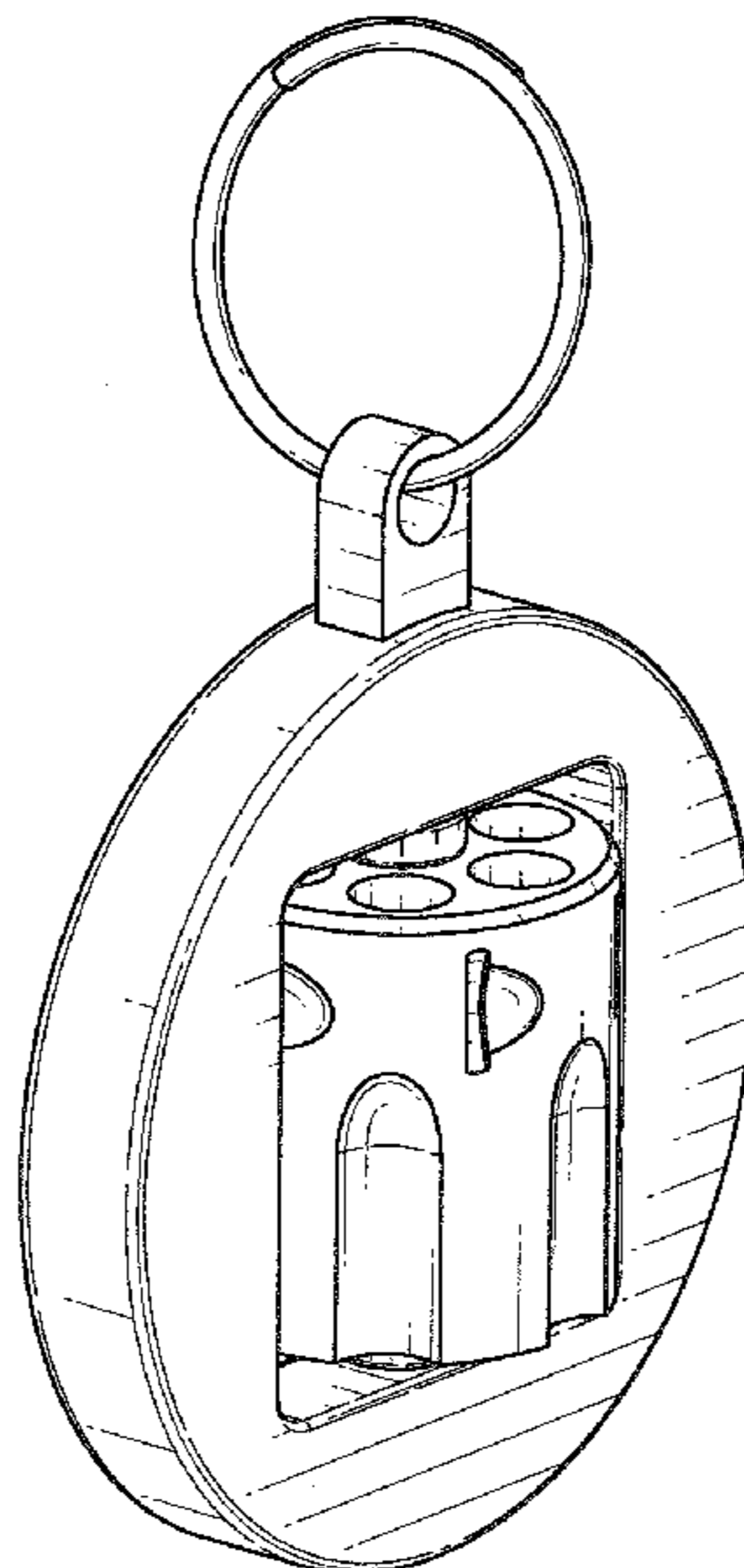
(57) **CLAIM**

The ornamental design for a revolver cylinder keychain, as shown and described.

DESCRIPTION

FIG. 1 is a front, left side perspective view of a revolver cylinder keychain, showing my new design; FIG. 2 is a front perspective view thereof; FIG. 3 is a rear perspective view thereof; FIG. 4 is a right side view thereof; FIG. 5 is a left side view thereof; FIG. 6 is a top perspective view thereof; and, FIG. 7 is a bottom perspective view thereof.

1 Claim, 4 Drawing Sheets



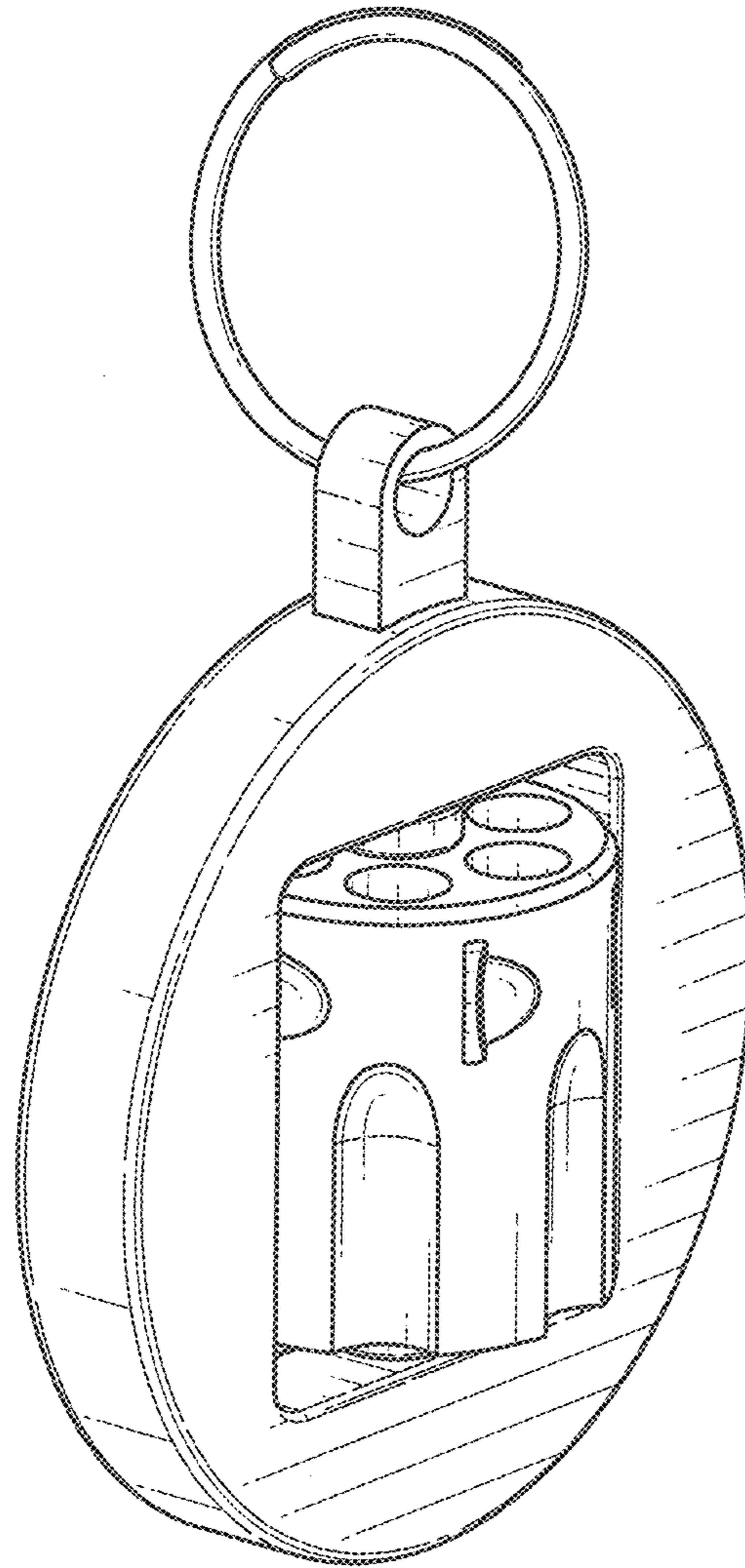


FIG. 1

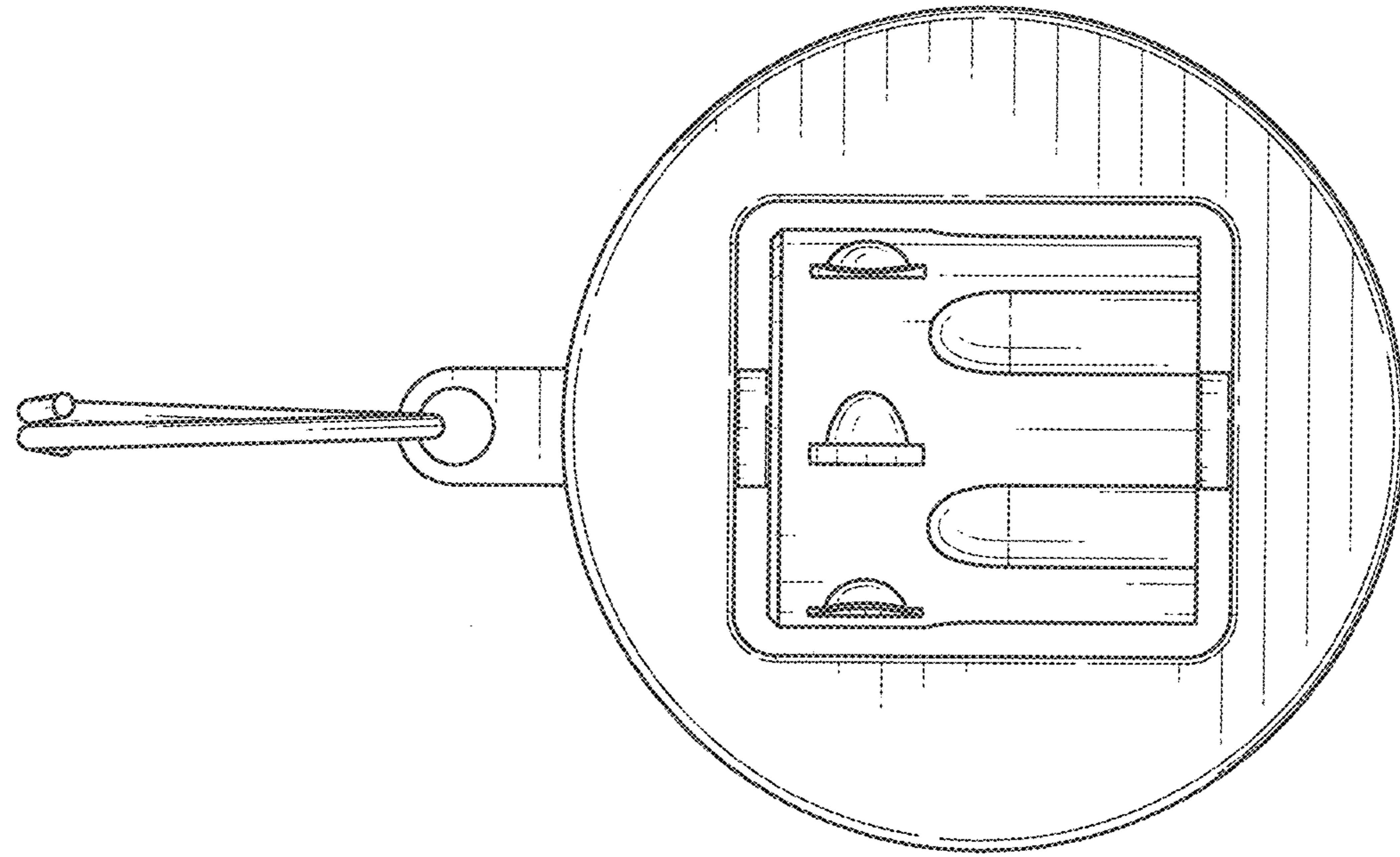


FIG. 2

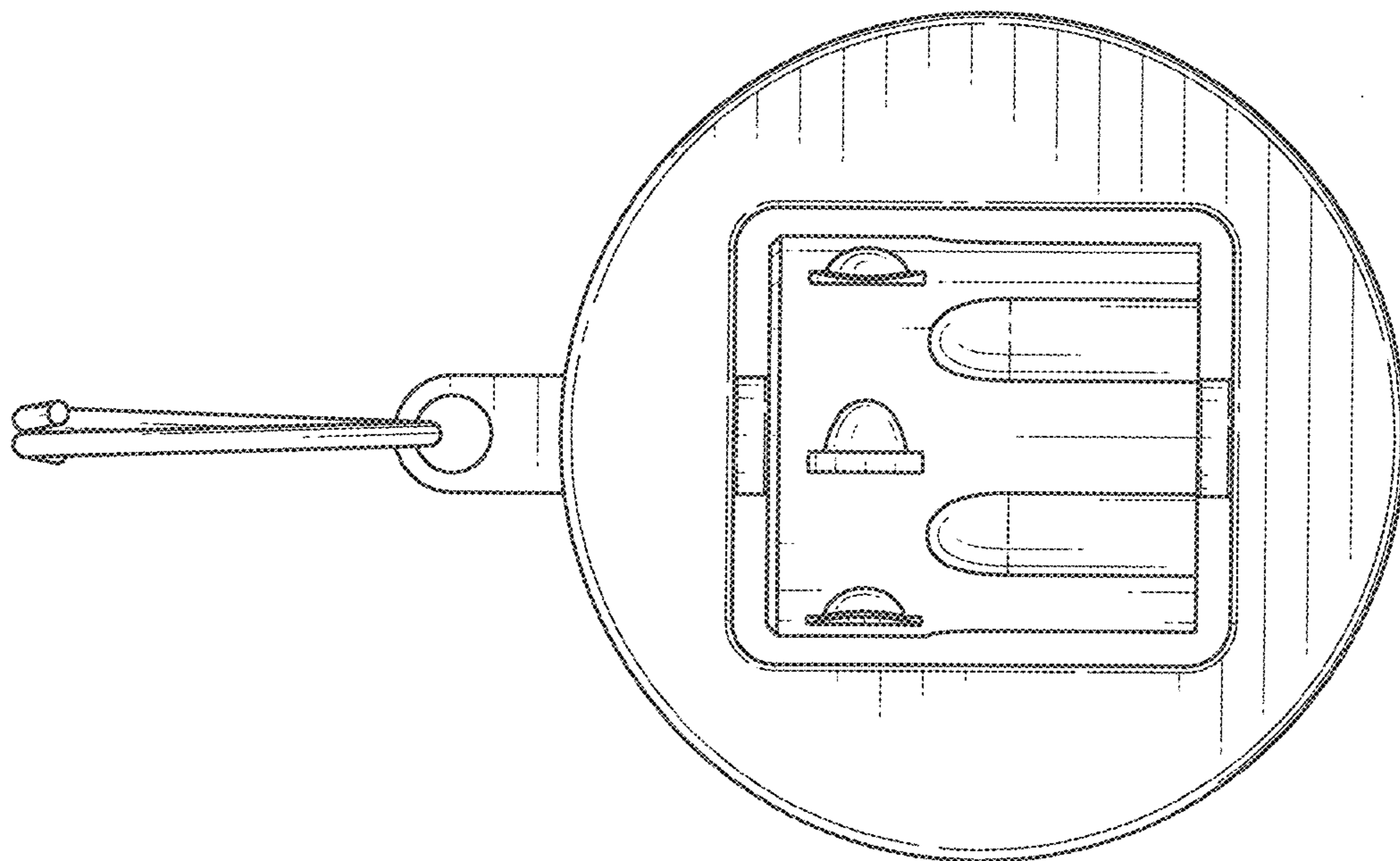


FIG. 3

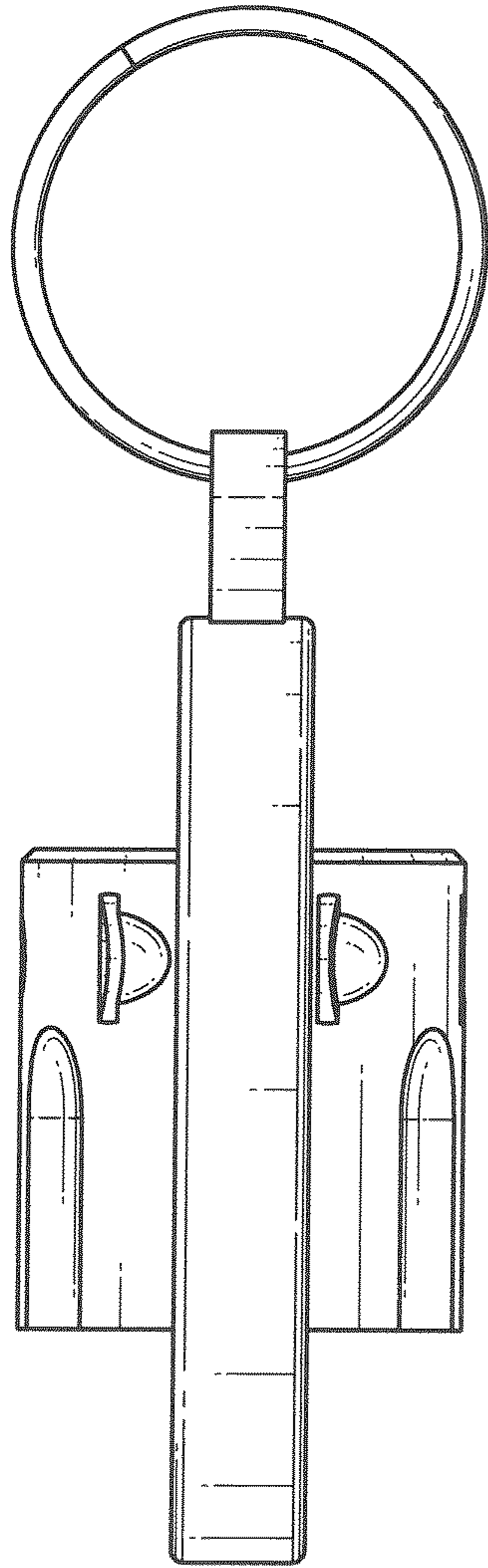


FIG. 4

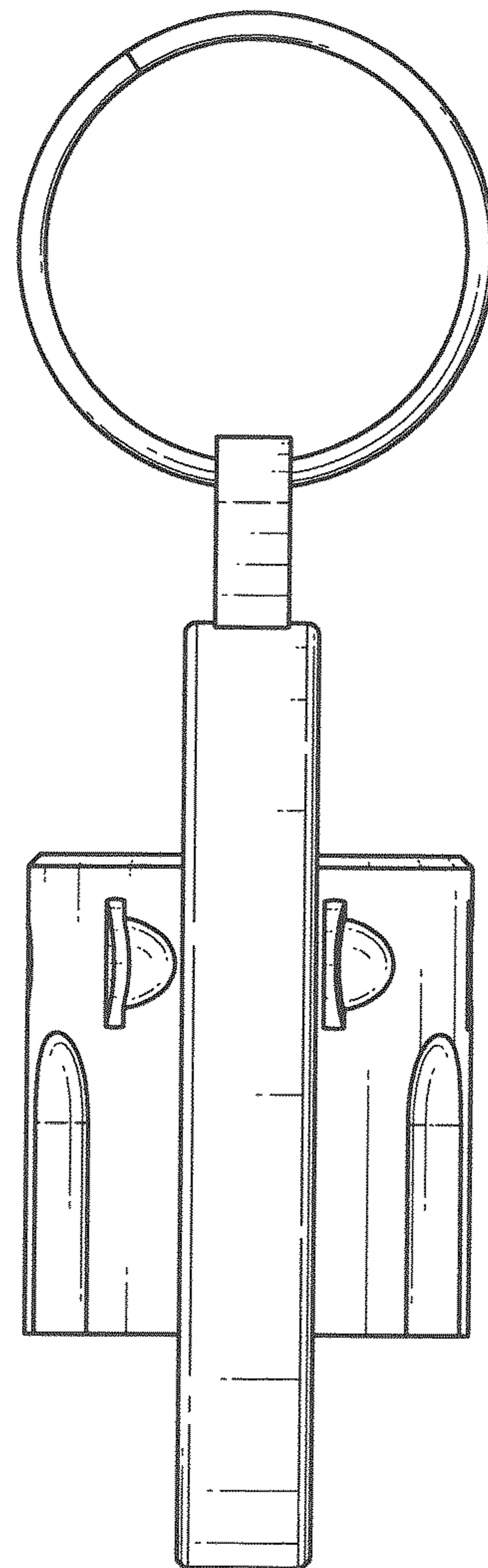


FIG. 5

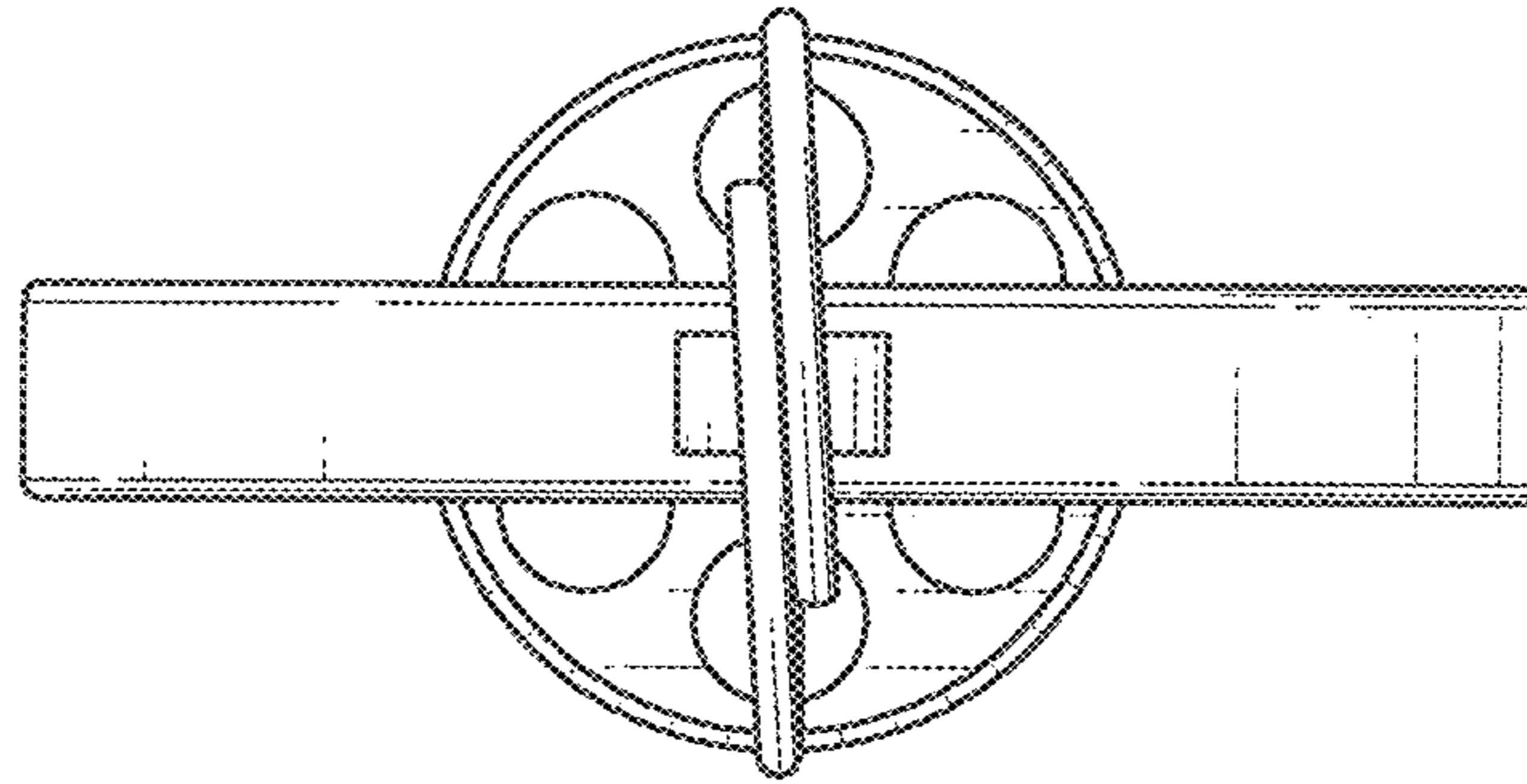


FIG. 6

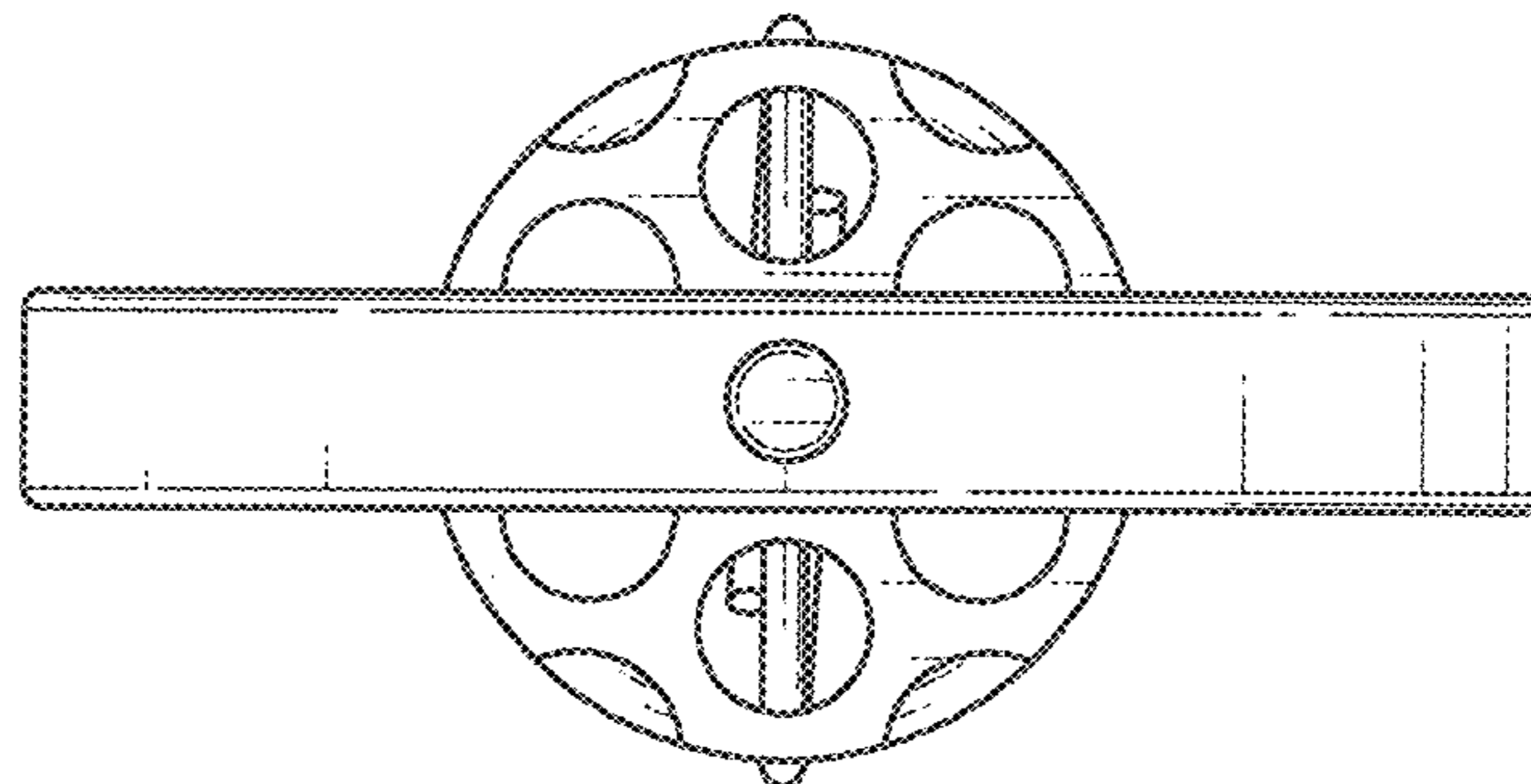


FIG. 7