



US00D914358S

(12) **United States Design Patent**
Chen

(10) **Patent No.:** **US D914,358 S**

(45) **Date of Patent:** **** Mar. 30, 2021**

(54) **PILL BOX**

(71) Applicant: **Shenzhen Yuwen E-Commerce Co., Ltd.**, Shenzhen (CN)

(72) Inventor: **Junyuan Chen**, Shenzhen (CN)

(73) Assignee: **SHENZHEN YUWEN E-COMMERCE CO., LTD.**, Shenzhen (CN)

(**) Term: **15 Years**

(21) Appl. No.: **29/718,368**

(22) Filed: **Dec. 23, 2019**

(51) **LOC (13) Cl.** **03-01**

(52) **U.S. Cl.**
USPC **D3/203.3**

(58) **Field of Classification Search**
USPC D3/201, 203.1, 203.2, 203.3, 203.4, 273, D3/294, 295; D9/420, 421, 756, 757, D9/759
CPC A61J 1/00; A61J 1/03; A61J 7/04; A61J 7/0084; B65D 1/36; B65D 2583/04; B65D 83/04; B65D 83/0445; B65D 83/0481

See application file for complete search history.

(56) **References Cited**

U.S. PATENT DOCUMENTS

D281,225 S *	11/1985	Leman	D3/203.3
4,735,318 A *	4/1988	Keffeler	A61J 1/03 206/532
D298,803 S *	12/1988	Ebling	D3/203.3
4,793,492 A *	12/1988	Halbich	A45C 11/24 206/538
D304,905 S *	12/1989	Zimmerman	D3/203.3
D337,725 S *	7/1993	Bunin	D3/203.3
D415,958 S *	11/1999	Noble	D3/203.3
D418,288 S *	1/2000	Priebe	D3/201
D430,392 S *	9/2000	Noble	D3/201
D452,611 S *	1/2002	Redgrave	D3/264

D457,819 S *	5/2002	Noble	D10/40
D466,801 S *	12/2002	Holland	D3/203.3
6,945,401 B2 *	9/2005	Jopling	A45C 11/00 206/37
D522,742 S *	6/2006	Priebe	D3/203.3
D524,537 S *	7/2006	Priebe	D3/203.3
D525,777 S *	8/2006	Priebe	D3/203.3
D528,782 S *	9/2006	Oas	D3/203.3

(Continued)

OTHER PUBLICATIONS

Auvon Monthly Pill Organizer, amazon.com, https://www.amazon.com/AUVON-Organizer-Compartments-Supplements-Medications/dp/B088D74TQF?ref_=ast_sto_dp (Year: 2020).*

(Continued)

Primary Examiner — Steven J Czyz

(57) **CLAIM**

The ornamental design for a pill box, as shown and described.

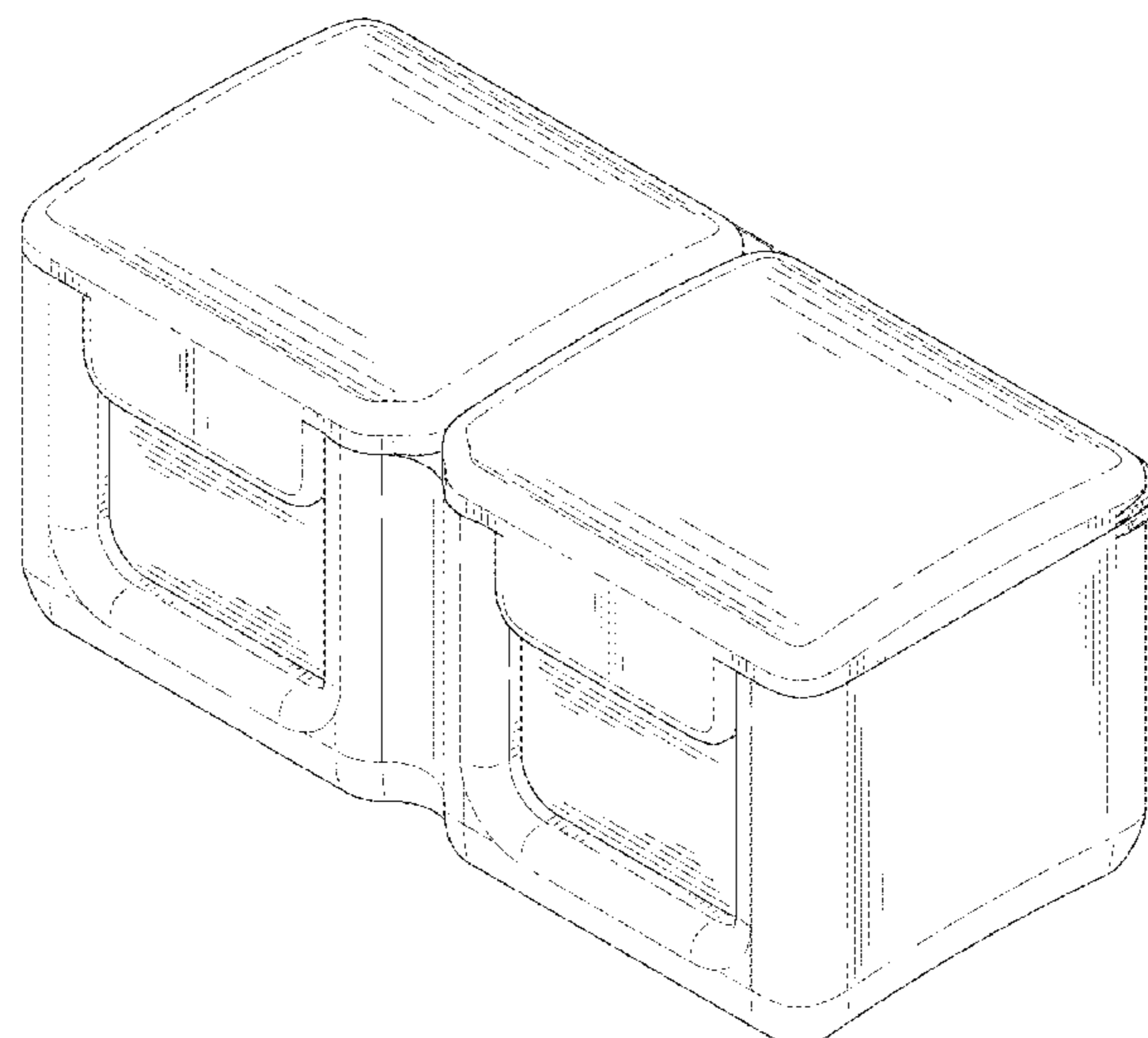
DESCRIPTION

FIG. 1 is a first perspective view of an ornamental design for a pill box showing the new design;
FIG. 2 is a second perspective view of the pill box;
FIG. 3 is a front view of the pill box;
FIG. 4 is a rear view of the pill box;
FIG. 5 is a left side view of the pill box;
FIG. 6 is a right side view of the pill box;
FIG. 7 is a top view of the pill box;
FIG. 8 is a bottom view of the pill box; and,
FIG. 9 is a third perspective view of the pill box shown in an open state.

The broken lines depict portions of the article that form no part of the claimed design.

Any shading and cross-hatching are not features of the design but are utilized to illustrate the surface contours of the pill box in the drawings.

1 Claim, 9 Drawing Sheets



(56)

References Cited

U.S. PATENT DOCUMENTS

D545,563 S * 7/2007 Margiotta D3/203.3
 7,387,207 B2 * 6/2008 Priebe A61J 1/03
 206/532
 7,395,929 B2 * 7/2008 Keffeler B65D 83/0445
 206/528
 D576,404 S * 9/2008 Cooper D3/203.3
 D587,005 S * 2/2009 Gardner D3/203.3
 7,494,012 B1 * 2/2009 Priebe A61J 1/03
 206/1.5
 D587,898 S * 3/2009 Cetera D3/203.2
 7,624,890 B2 * 12/2009 Noble B65D 43/162
 220/324
 D612,894 S * 3/2010 Evans D21/392
 7,793,785 B2 * 9/2010 Keffeler B65D 83/04
 206/538
 7,798,330 B2 * 9/2010 Noble B65D 83/04
 206/538
 8,174,370 B1 * 5/2012 Fulmer-Mason A61J 7/0409
 340/309.16
 8,381,911 B2 * 2/2013 Buchner B65D 83/04
 206/538
 D684,355 S * 6/2013 Priebe D3/203.3
 D686,407 S * 7/2013 Mazur D3/203.3
 D691,366 S * 10/2013 Muncy D3/203.3
 D696,007 S * 12/2013 Priebe D3/203.3
 D696,008 S * 12/2013 Priebe D3/203.3
 D696,010 S * 12/2013 Priebe D3/203.3
 D696,856 S * 1/2014 Priebe D3/203.3
 D697,303 S * 1/2014 Priebe D3/203.3
 D698,141 S * 1/2014 Priebe D3/203.3
 D698,540 S * 2/2014 Priebe D3/203.3
 D703,943 S * 5/2014 Priebe D3/203.3

D709,282 S * 7/2014 Priebe D3/203.3
 D727,011 S * 4/2015 Priebe D3/203.3
 9,066,849 B2 * 6/2015 Fung A61J 7/0436
 9,161,885 B1 * 10/2015 Zhou A61J 7/0076
 D747,869 S * 1/2016 Priebe D3/203.3
 9,289,354 B2 * 3/2016 Ryan B65D 25/06
 D761,009 S * 7/2016 Jewell D3/203.3
 D775,462 S * 1/2017 Noble D3/203.3
 D777,419 S * 1/2017 Noble D3/203.3
 D799,813 S * 10/2017 Wartenberg D3/203.3
 D812,368 S * 3/2018 Noble D3/203.3
 9,937,101 B2 * 4/2018 Sheu B65D 83/0481
 D831,331 S * 10/2018 Lee D3/203.3
 D833,733 S * 11/2018 Chen D3/203.3
 10,391,028 B2 * 8/2019 Deluca A61B 5/1174
 10,420,703 B1 * 9/2019 Lee A61J 7/0084
 D877,489 S * 3/2020 Lee D3/203.2
 D882,940 S * 5/2020 Am D3/203.3
 D882,941 S * 5/2020 Deluca D3/203.3
 D895,958 S * 9/2020 Guo D3/203.3
 D895,959 S * 9/2020 Guo D3/203.3
 D897,665 S * 10/2020 Guo D3/203.3
 D897,666 S * 10/2020 Guo D3/203.3
 D898,344 S * 10/2020 Lee D3/203.3
 D898,345 S * 10/2020 Lee D3/203.3
 D898,346 S * 10/2020 Lee D3/203.3
 D898,348 S * 10/2020 Guo D3/203.3

OTHER PUBLICATIONS

Zikee Monthly Pill Organizer, amazon.com, https://www.amazon.com/ZIKEE-Organizer-Compartments-Supplements-Medications/dp/B08DQTM8Q/ref=sr_1_4?dchild=1&keywords=ZIKEE&qid=1612361386&sr=8-4 (Year: 2020).*

* cited by examiner

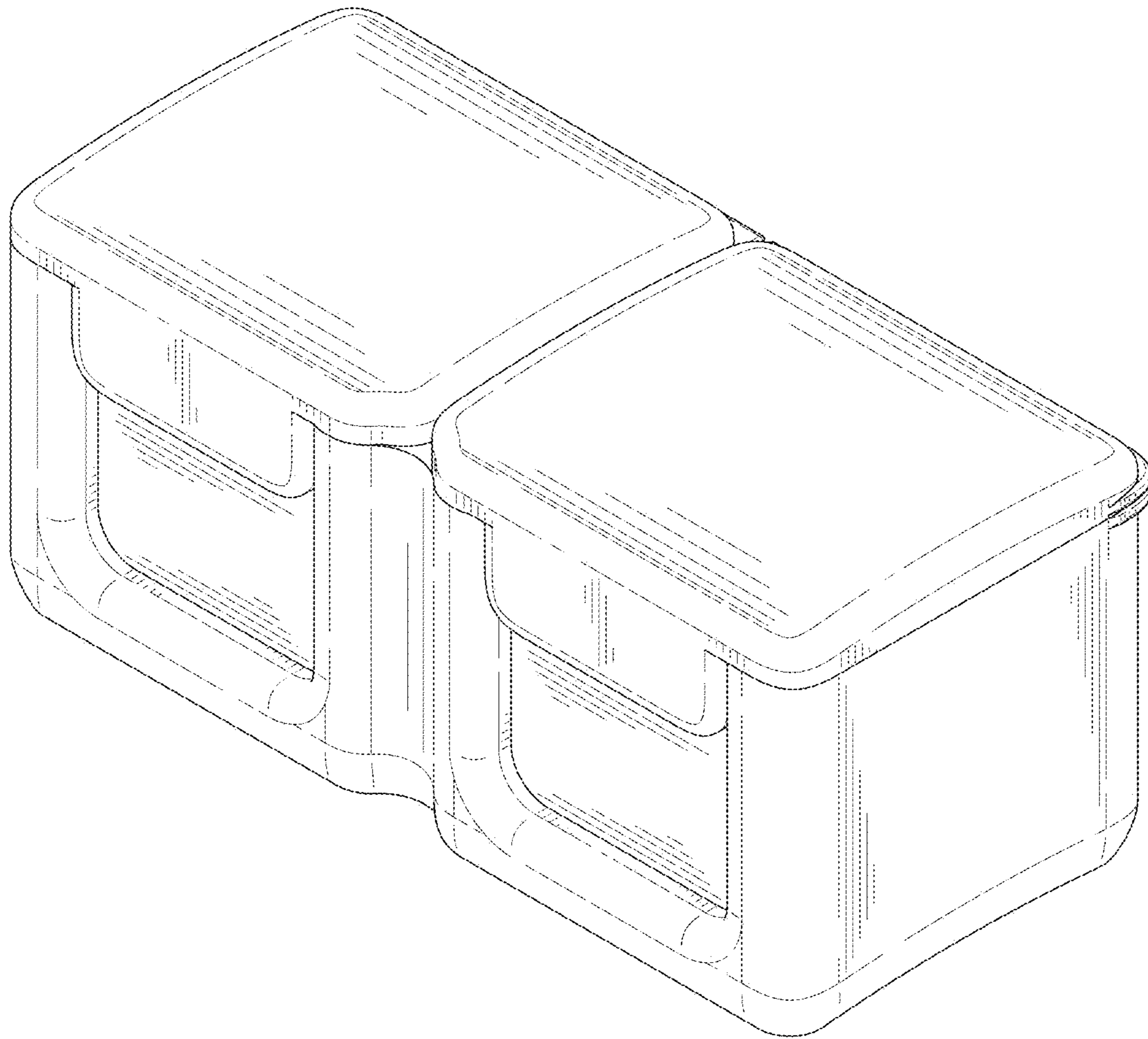


FIG. 1

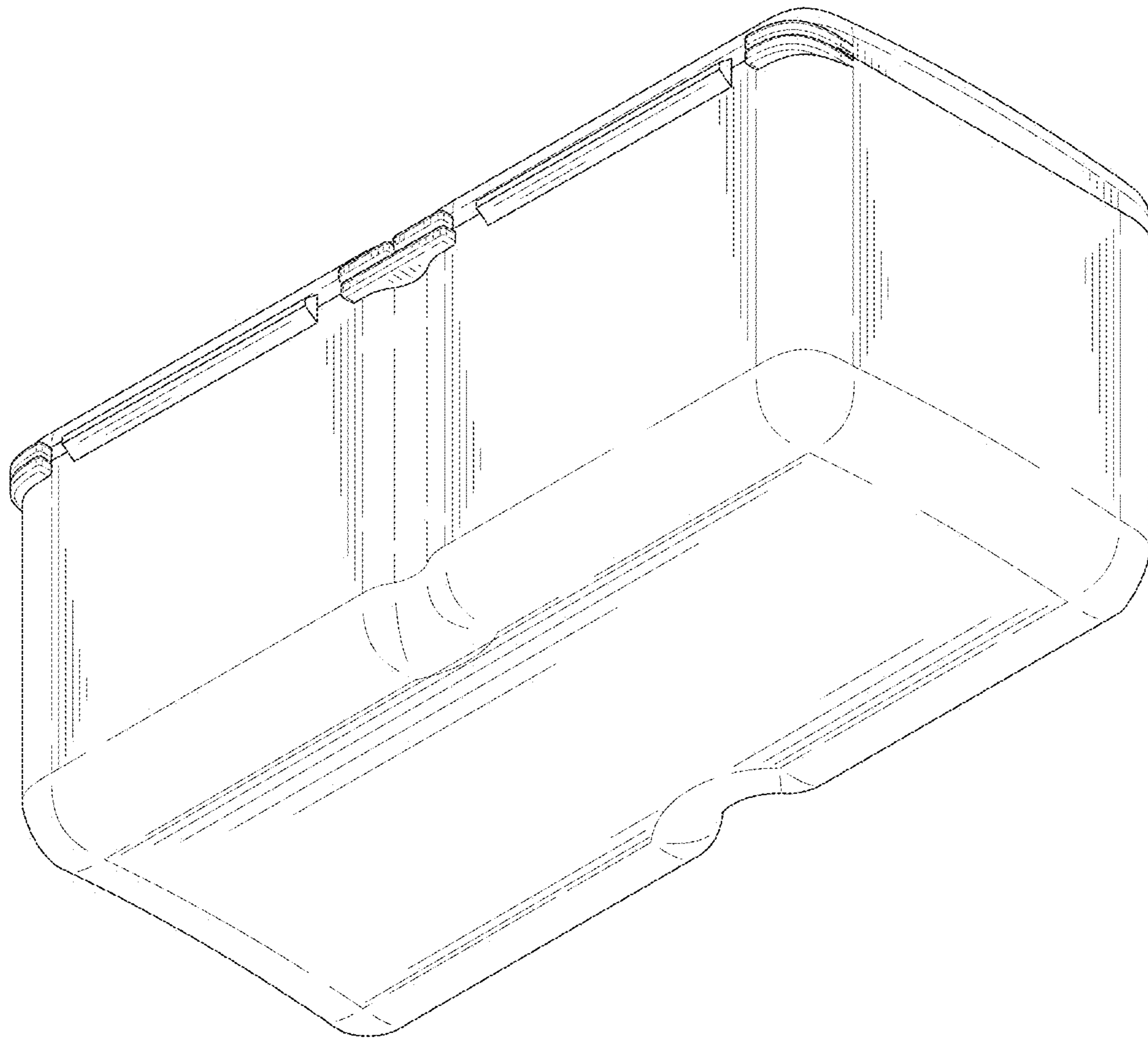


FIG. 2

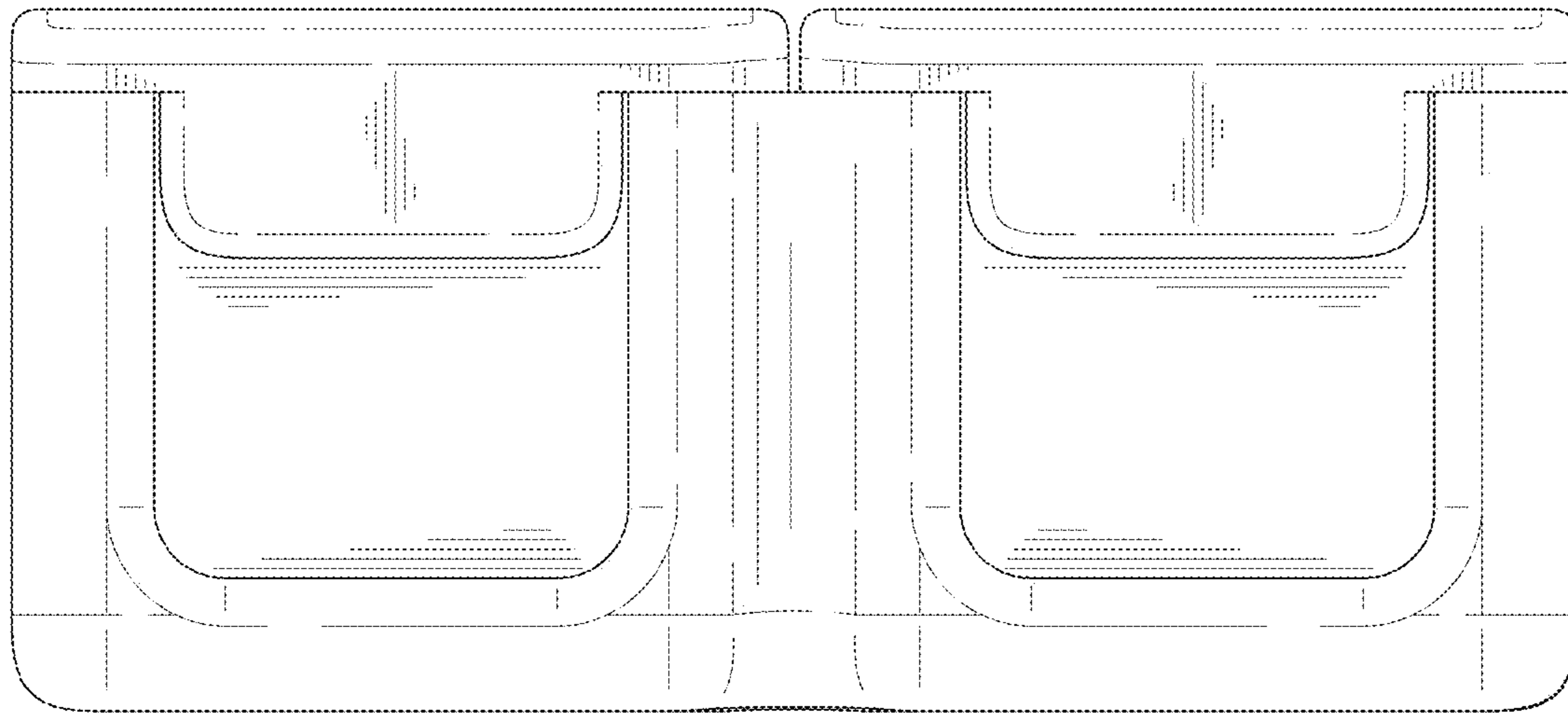


FIG. 3

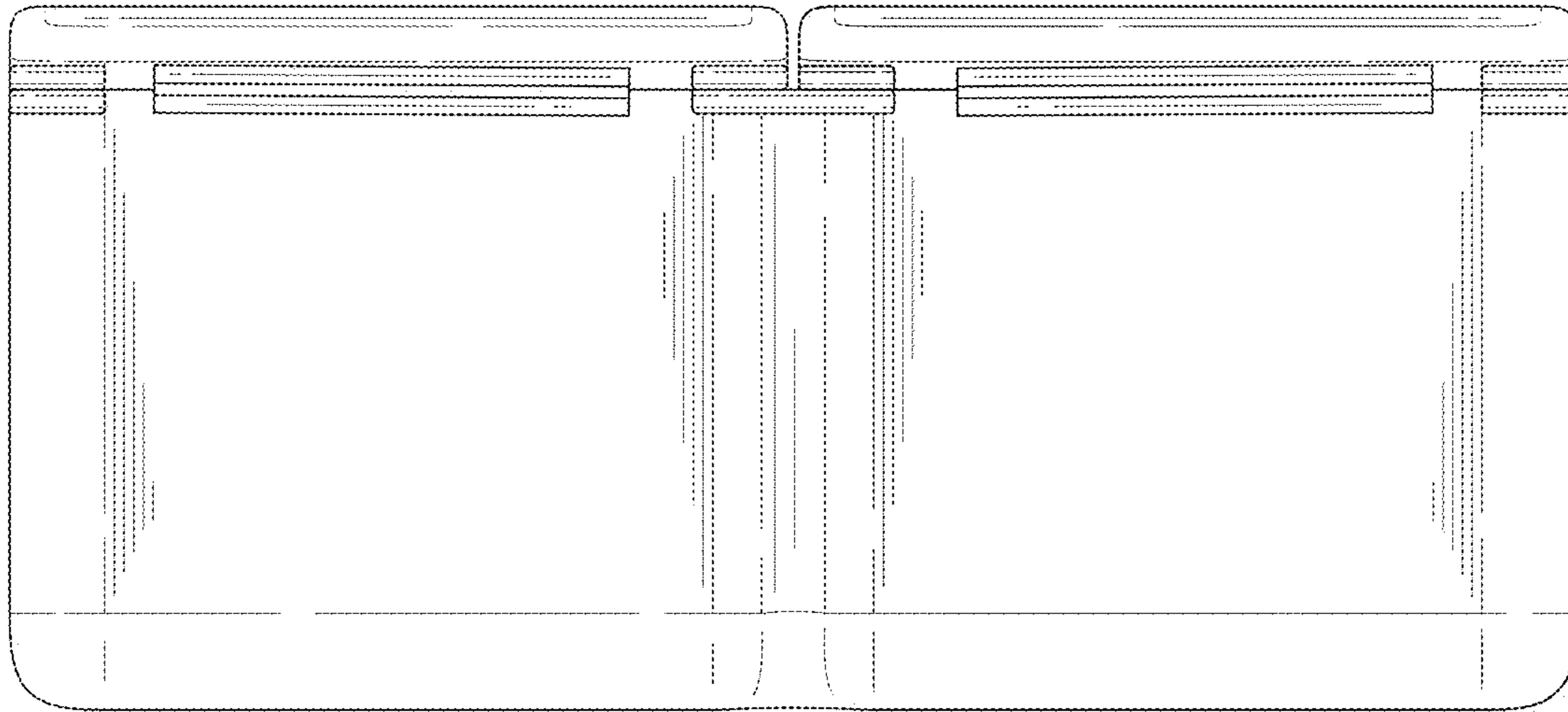


FIG. 4

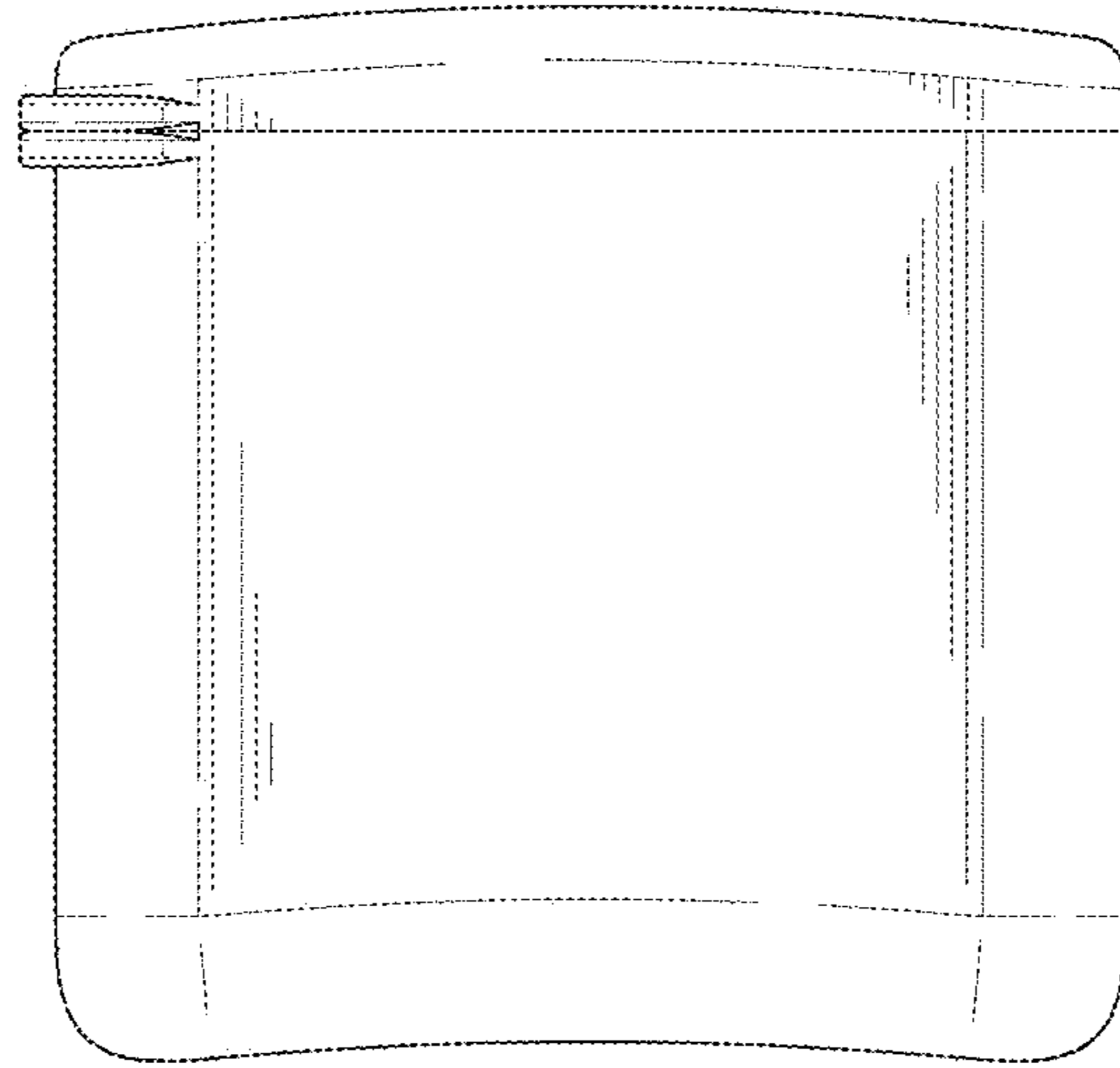


FIG. 5

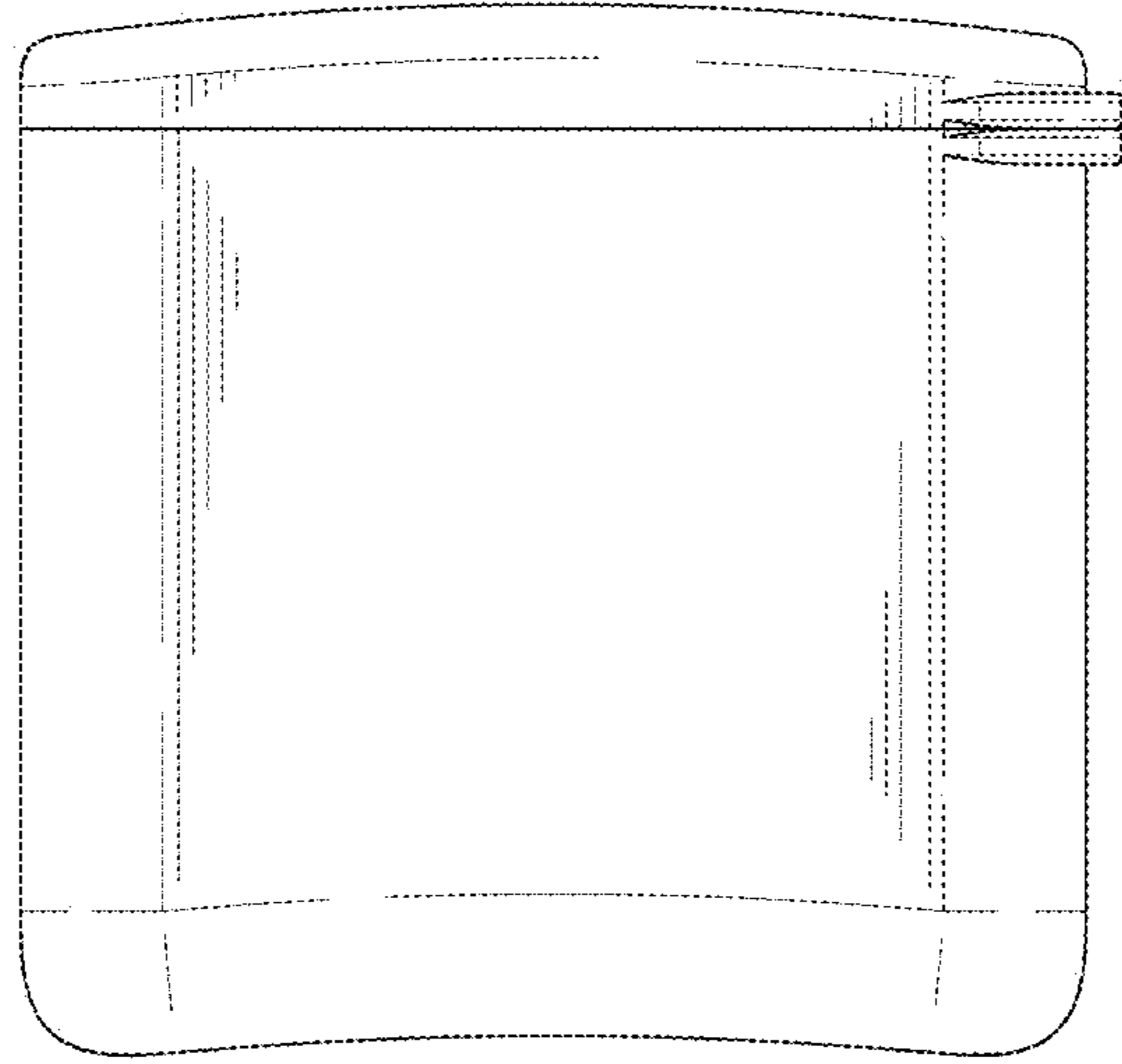


FIG. 6

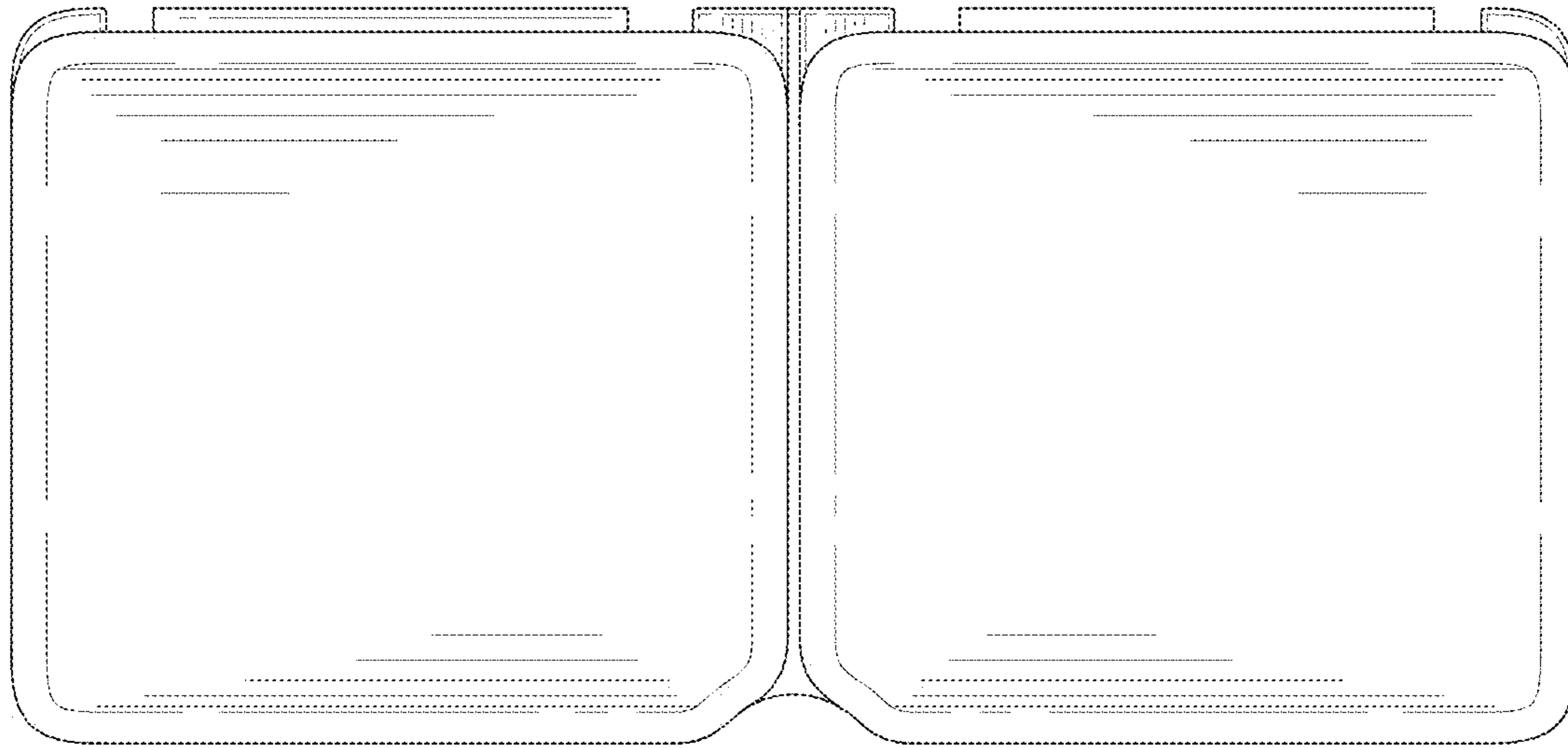


FIG. 7

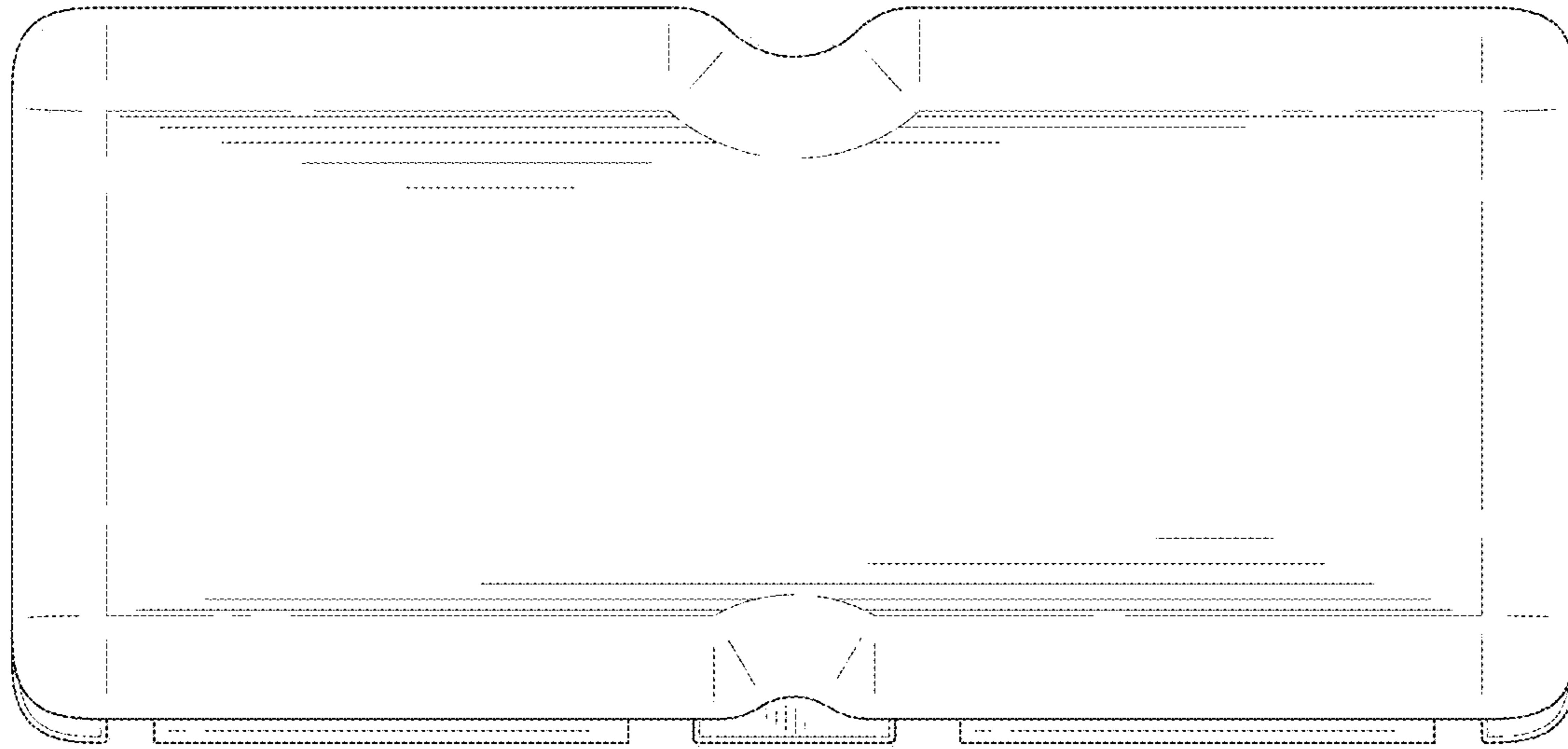


FIG. 8

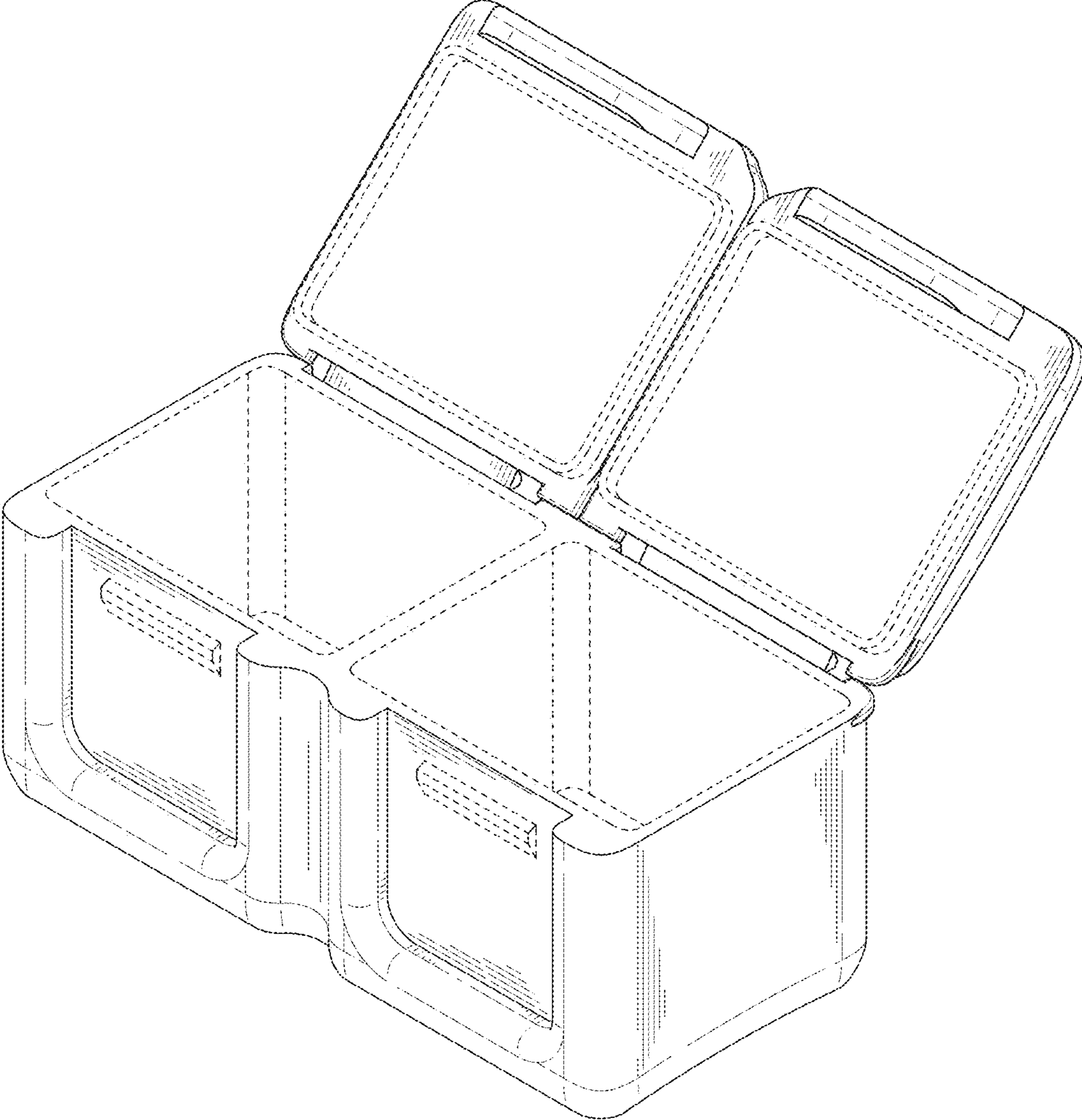


FIG. 9